



US00D761578S

(12) **United States Design Patent**
Neil et al.

(10) **Patent No.:** **US D761,578 S**
(45) **Date of Patent:** **** Jul. 19, 2016**

(54) **CHAIR**

(71) Applicants: **Gary Neil**, Mississauga (CA); **Todd Anthony Yetman**, Mississauga (CA)

(72) Inventors: **Gary Neil**, Mississauga (CA); **Todd Anthony Yetman**, Mississauga (CA)

(73) Assignee: **Allseating Corporation**, Ontario (CA)

(**) Term: **14 Years**

(21) Appl. No.: **29/492,172**

(22) Filed: **May 29, 2014**

(51) **LOC (10) Cl.** **06-01**

(52) **U.S. Cl.**
USPC **D6/366**

(58) **Field of Classification Search**
USPC D6/334-336, 364, 365, 366, 374, 716,
D6/716.1, 716.2, 716.3, 716.4
CPC A47C 7/38; A47C 7/40; A47C 3/40;
A47C 4/028; A47C 7/004; A47C 7/54;
A47C 7/022; A47C 7/18

See application file for complete search history.

(56) **References Cited**

U.S. PATENT DOCUMENTS

D445,581 S *	7/2001	Su	D6/366
D488,313 S *	4/2004	Seiler	D6/366
D543,039 S *	5/2007	Hara	D6/366
D543,040 S *	5/2007	Hara	D6/366
D543,042 S *	5/2007	Hara	D6/366
D554,381 S *	11/2007	Valdiserri	D6/366

D555,377 S *	11/2007	Pensi	D6/366
D564,766 S *	3/2008	Zimmermann	D6/366
D586,136 S *	2/2009	Valdiserri	D6/366
D656,330 S *	3/2012	Neil	D6/366

* cited by examiner

Primary Examiner — Mimoso De

(74) *Attorney, Agent, or Firm* — Lorelei G. Graham

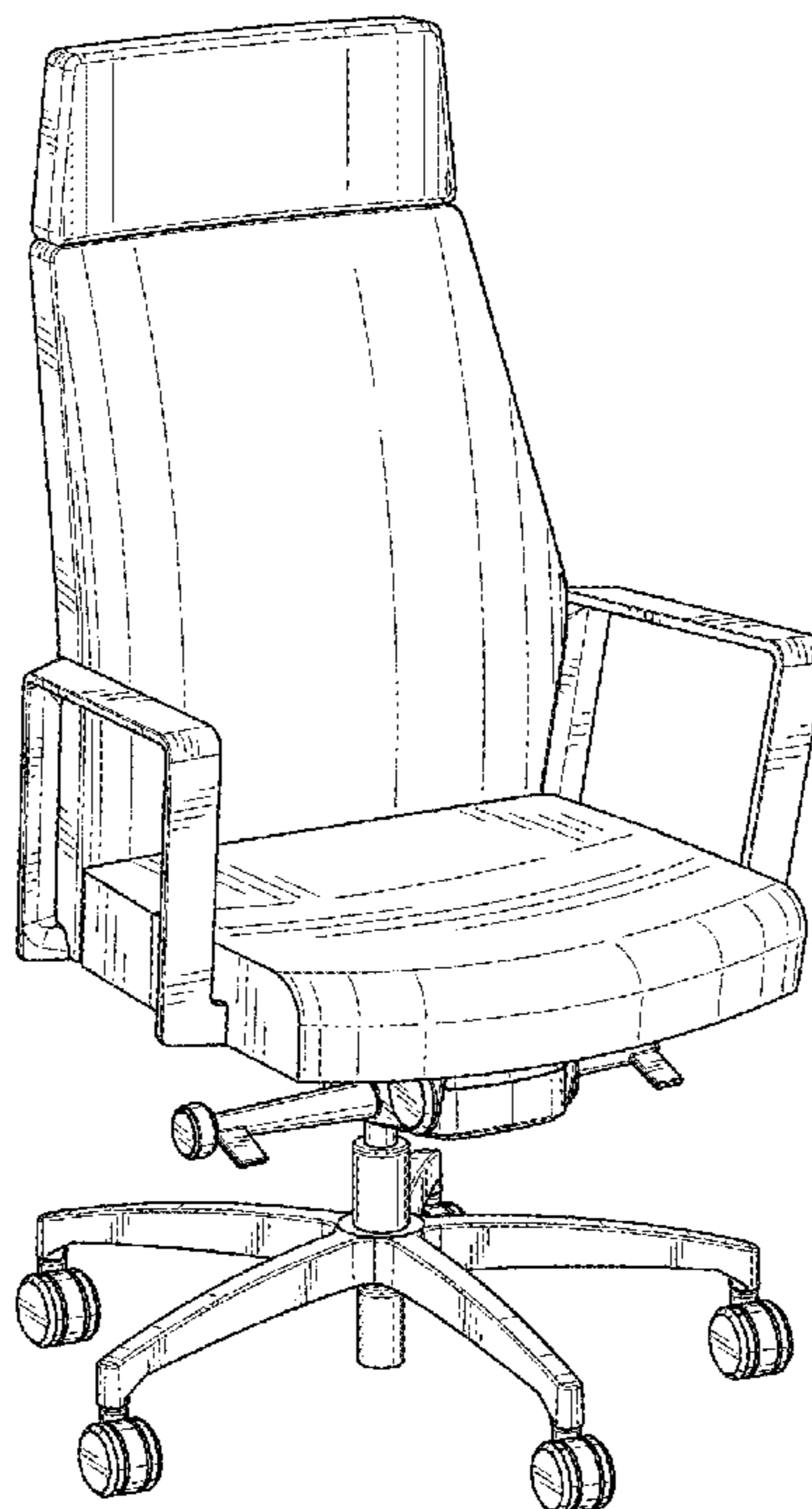
(57) **CLAIM**

We claim the ornamental design for a chair, as shown and described.

DESCRIPTION

FIG. 1 is a front perspective view of the chair.
 FIG. 2 is a back perspective view of the chair.
 FIG. 3 is a right perspective view of the chair.
 FIG. 4 is a front view of the chair.
 FIG. 5 is a left view of the chair.
 FIG. 6 is a back view of the chair.
 FIG. 7 is a top view of the chair.
 FIG. 8 is a bottom view of the chair.
 FIG. 9 is a front perspective view of the second embodiment of the chair.
 FIG. 10 is a back perspective view of the chair.
 FIG. 11 is a right perspective view of the chair.
 FIG. 12 is a front of the chair.
 FIG. 13 is a left view of the chair.
 FIG. 14 is a back view of the chair.
 FIG. 15 is a top view of the chair; and,
 FIG. 16 is a bottom view of the chair.
 The broken lines shown in the drawings are for the purpose of illustrating portions of the article that form no part of the claim design.

1 Claim, 8 Drawing Sheets



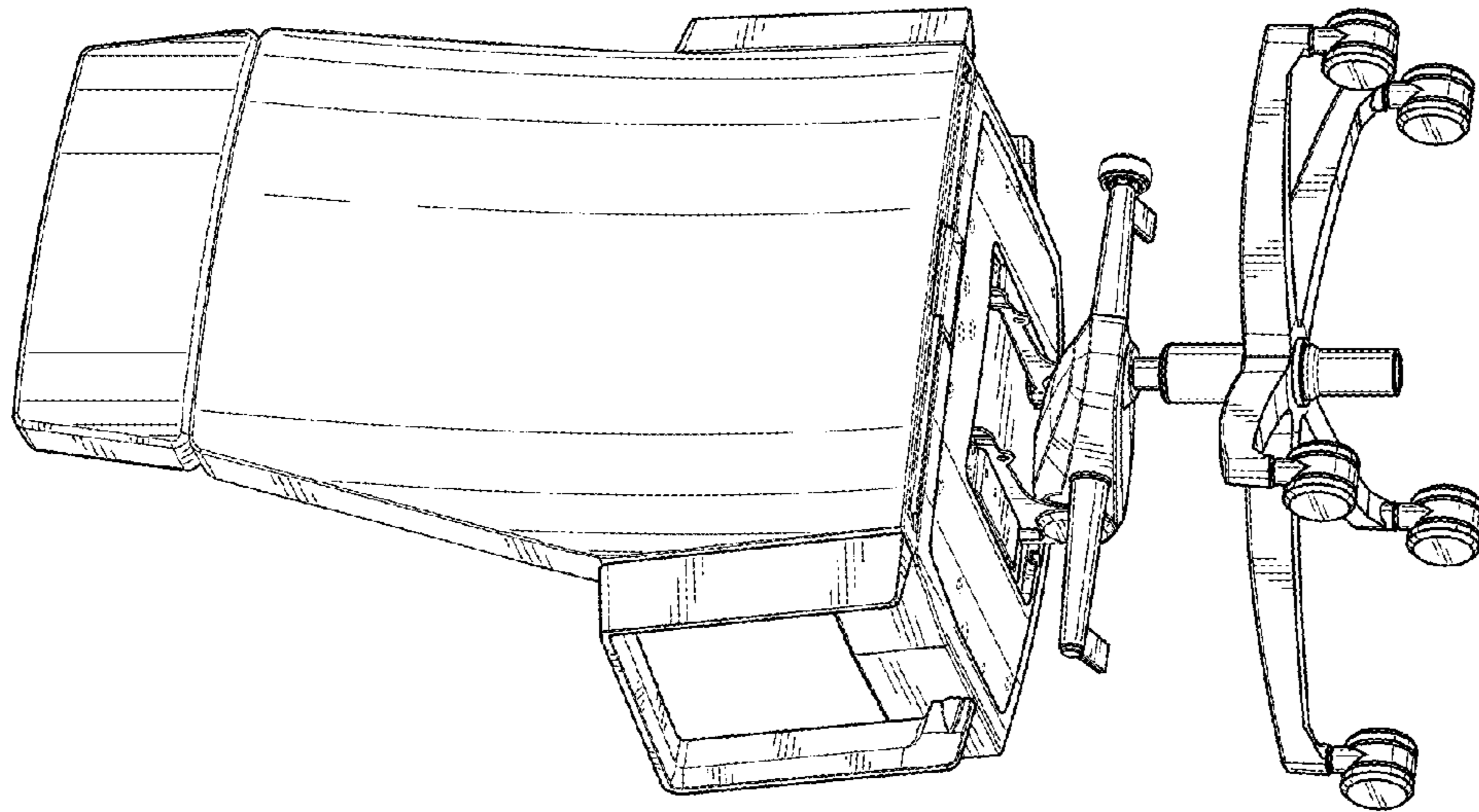


FIG. 2

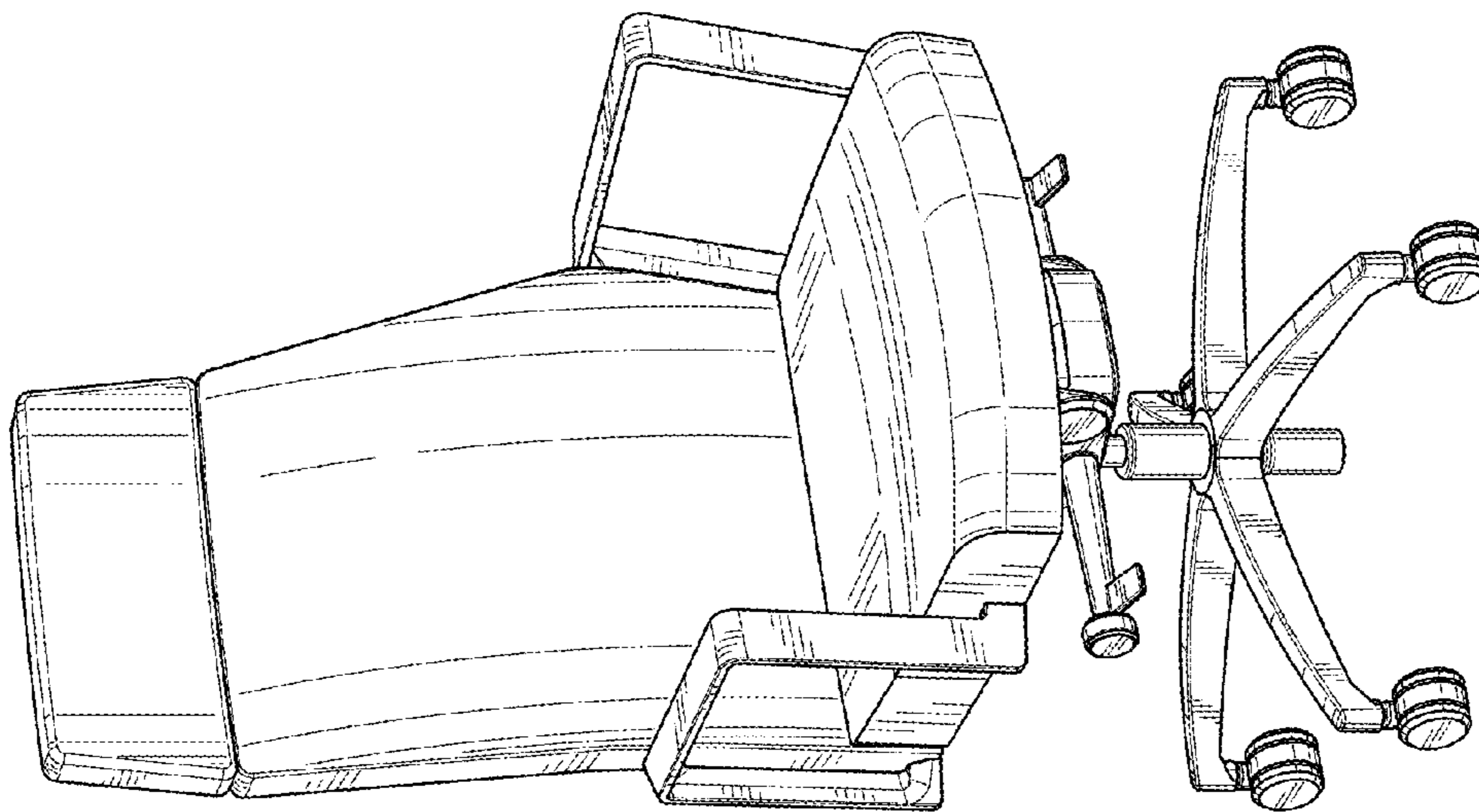


FIG. 1

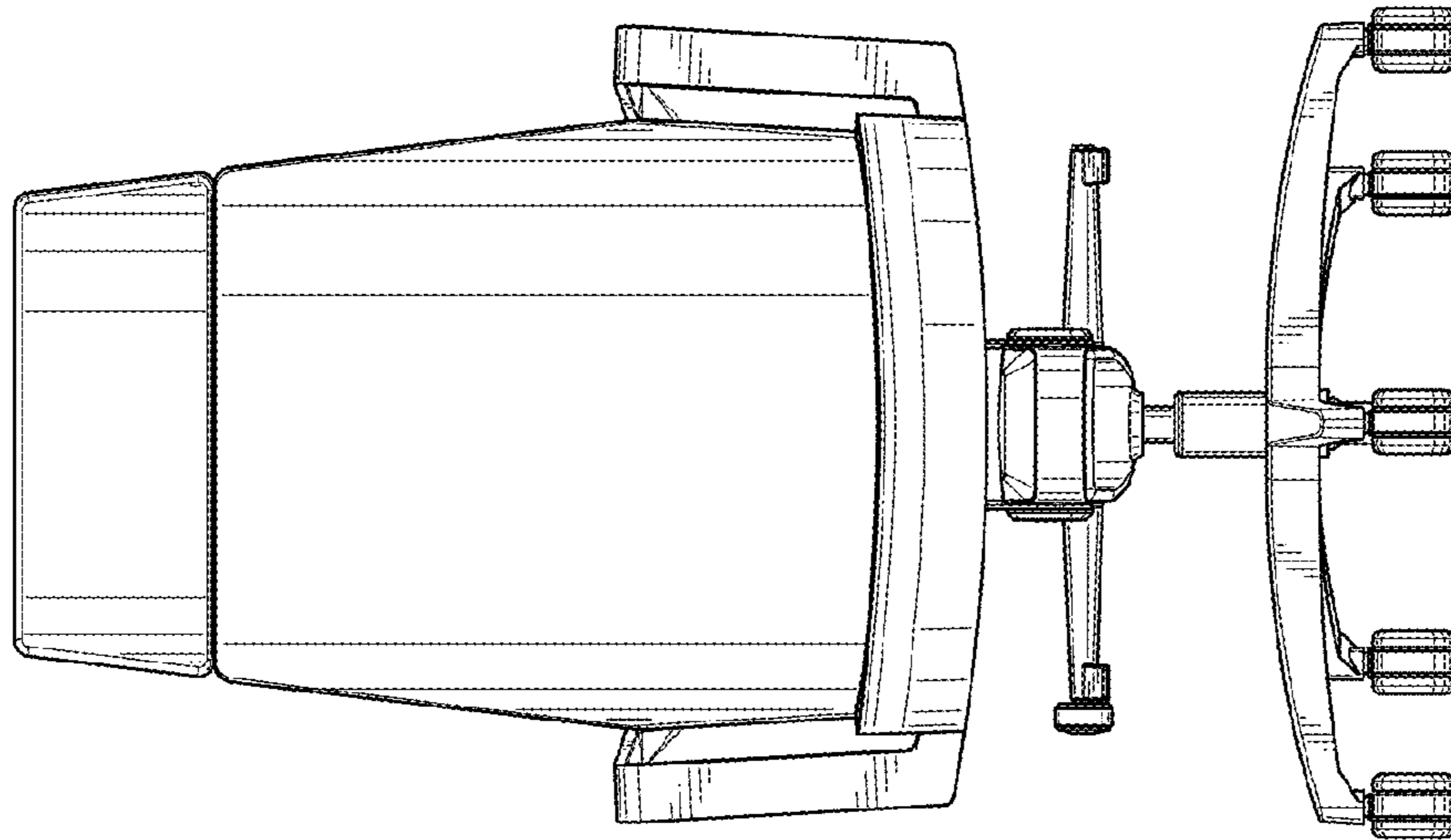


FIG. 4

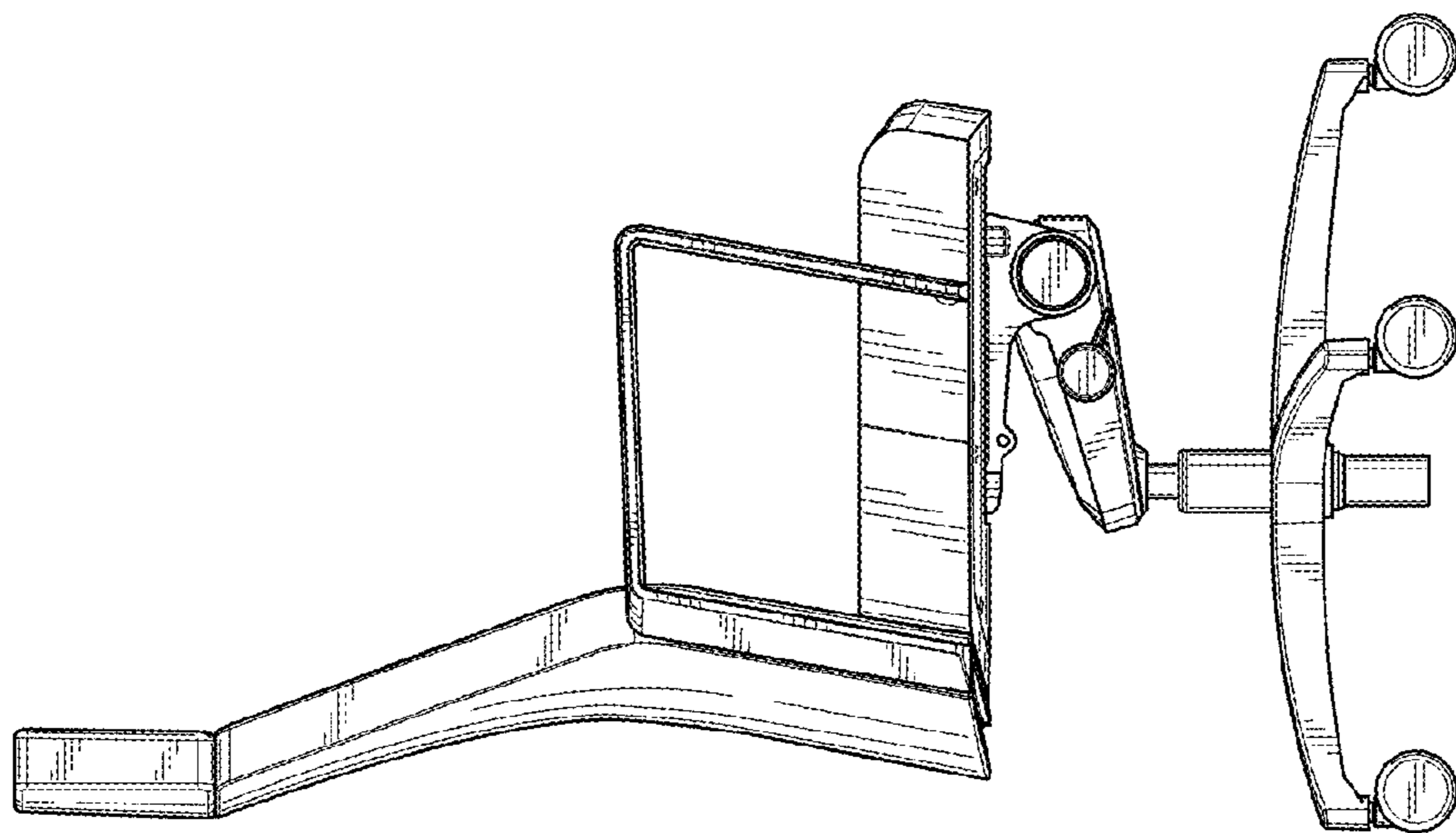


FIG. 3

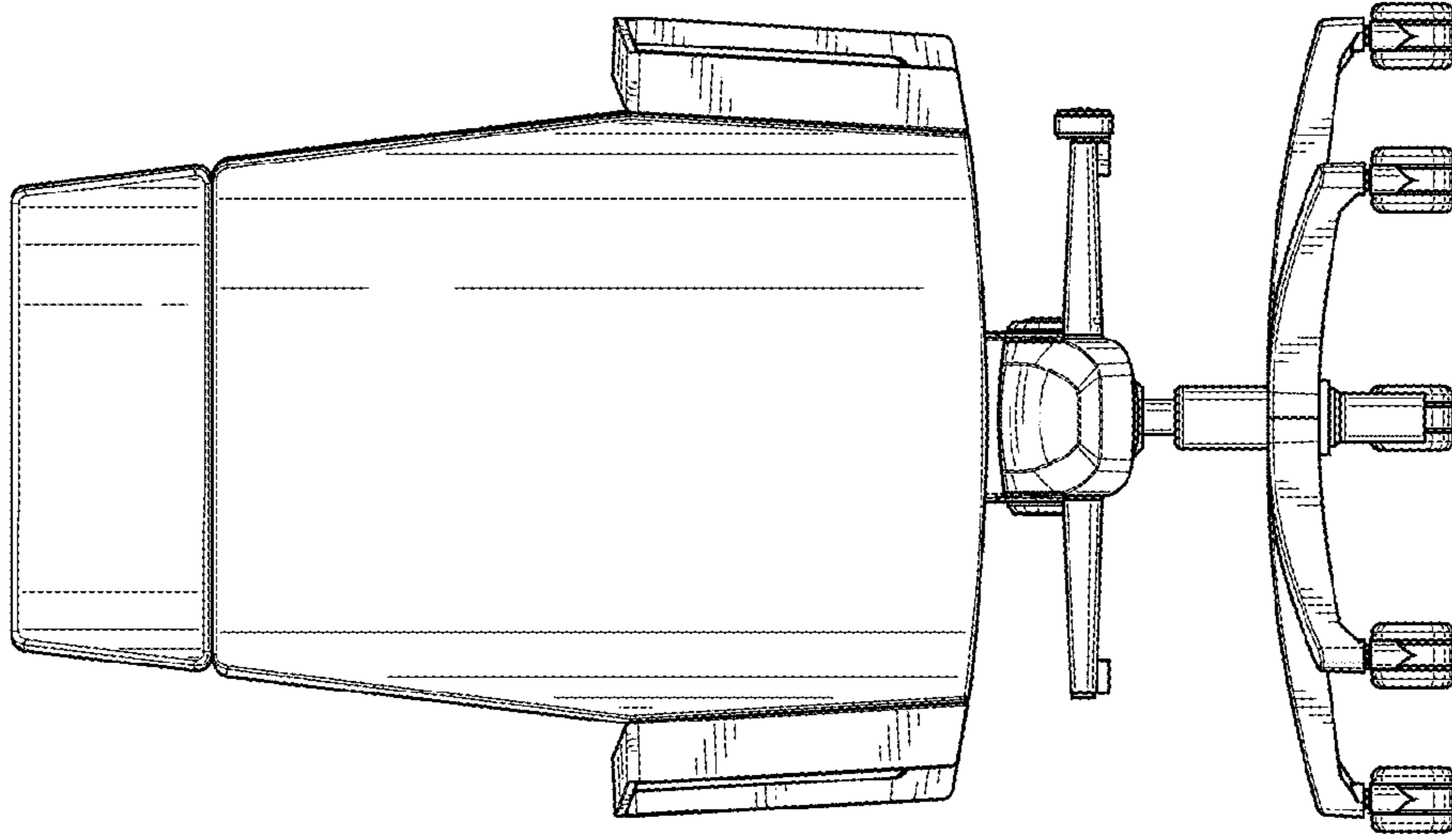


FIG. 6

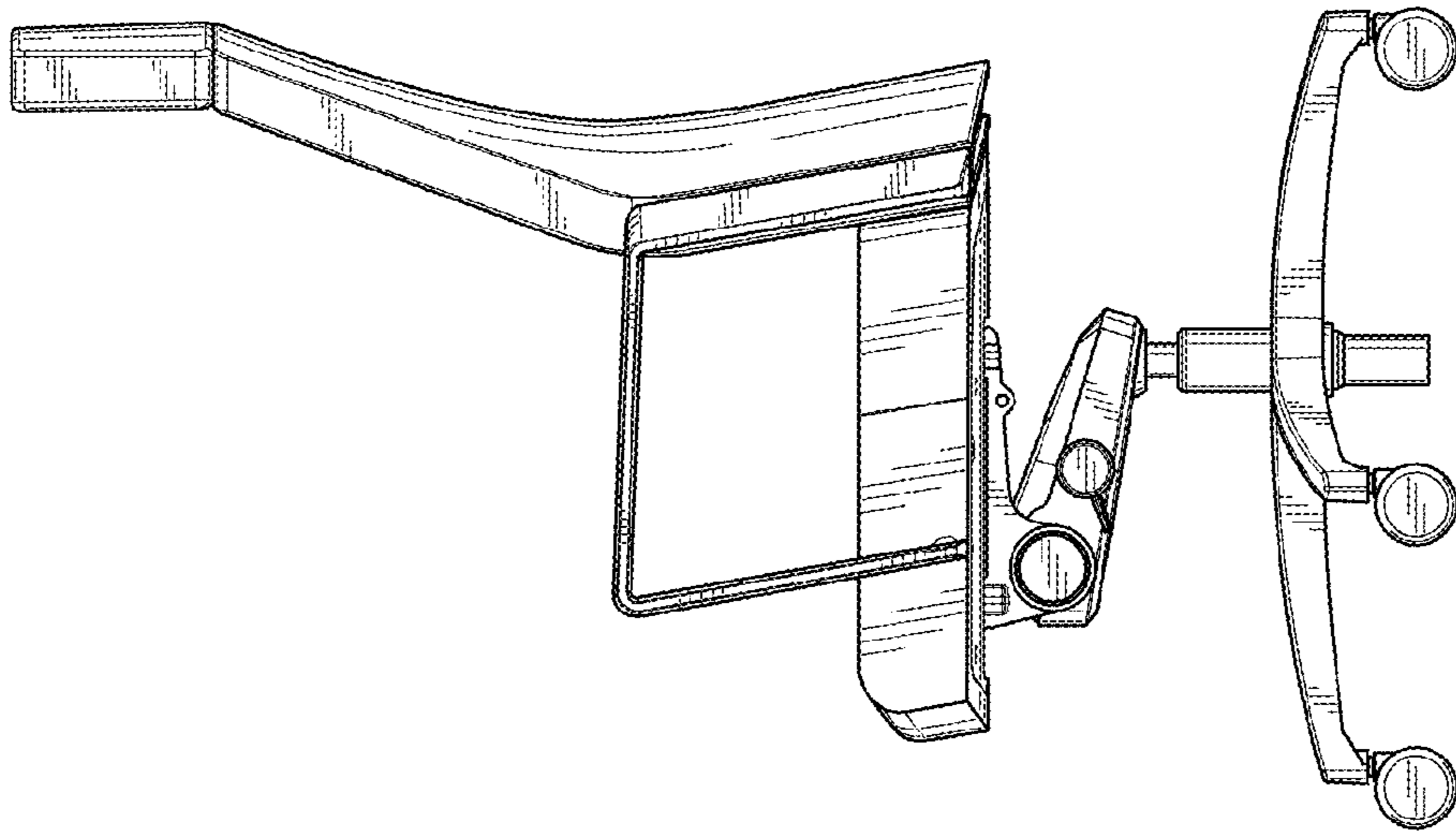


FIG. 5

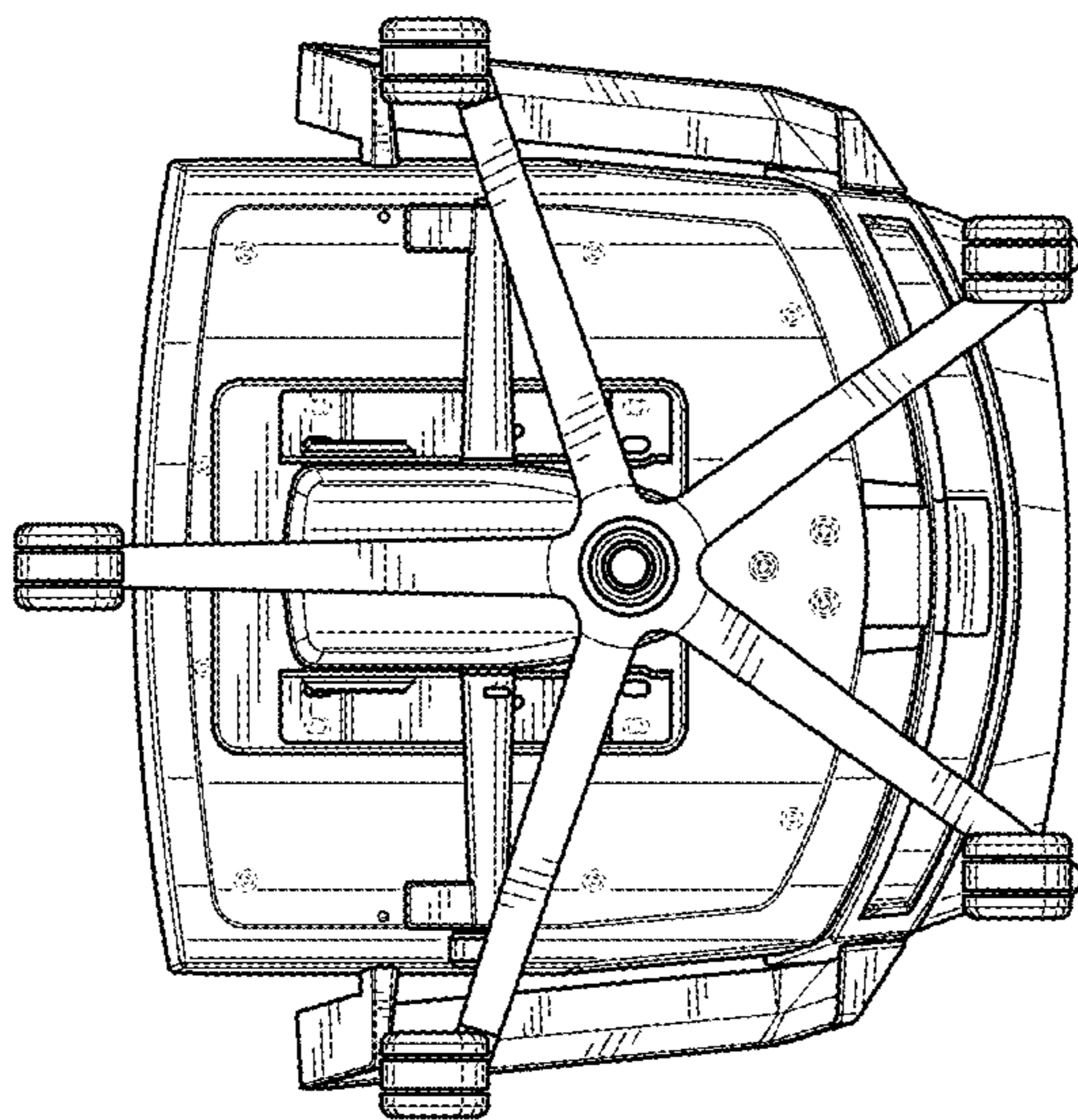


FIG. 8

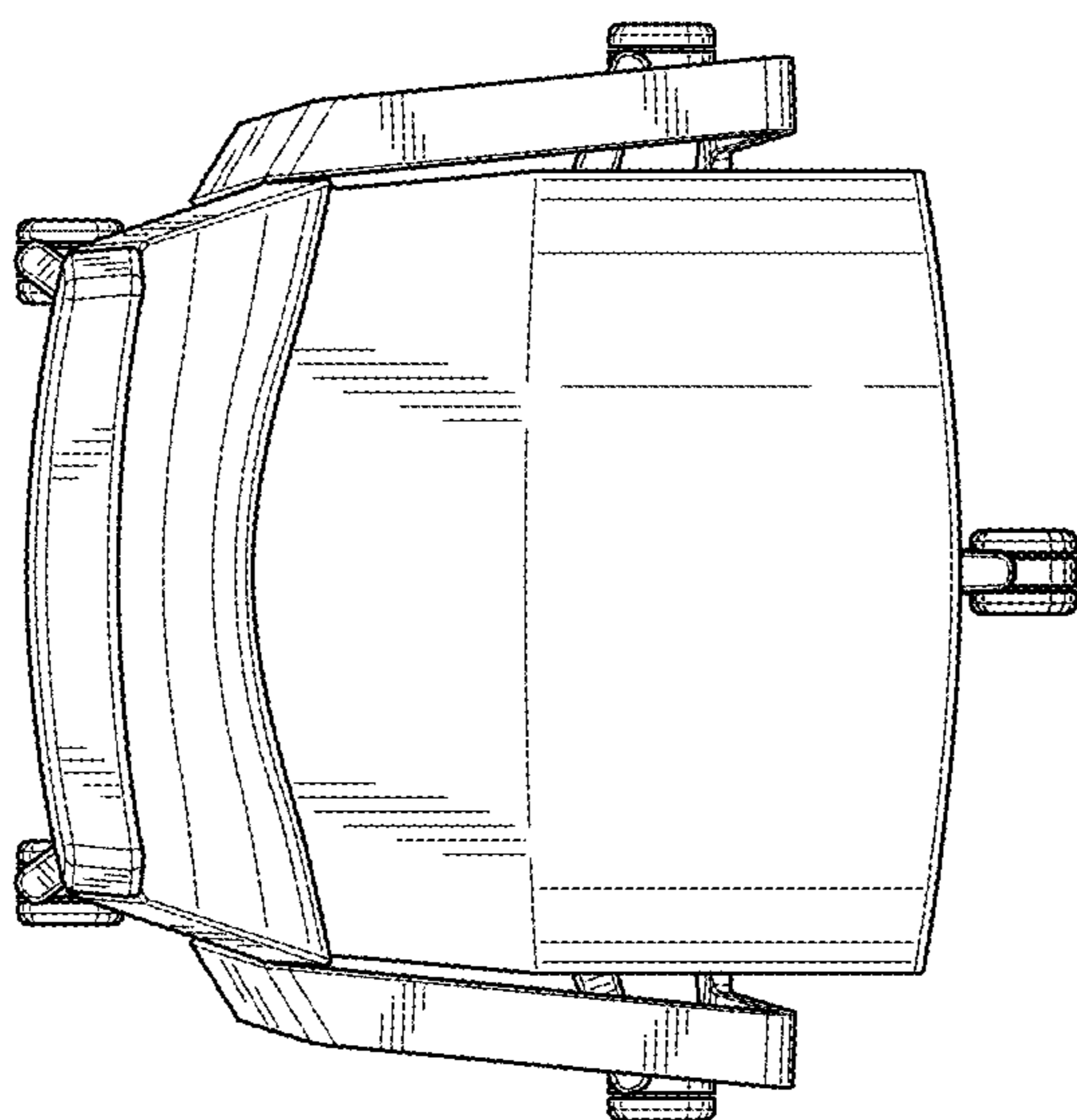


FIG. 7

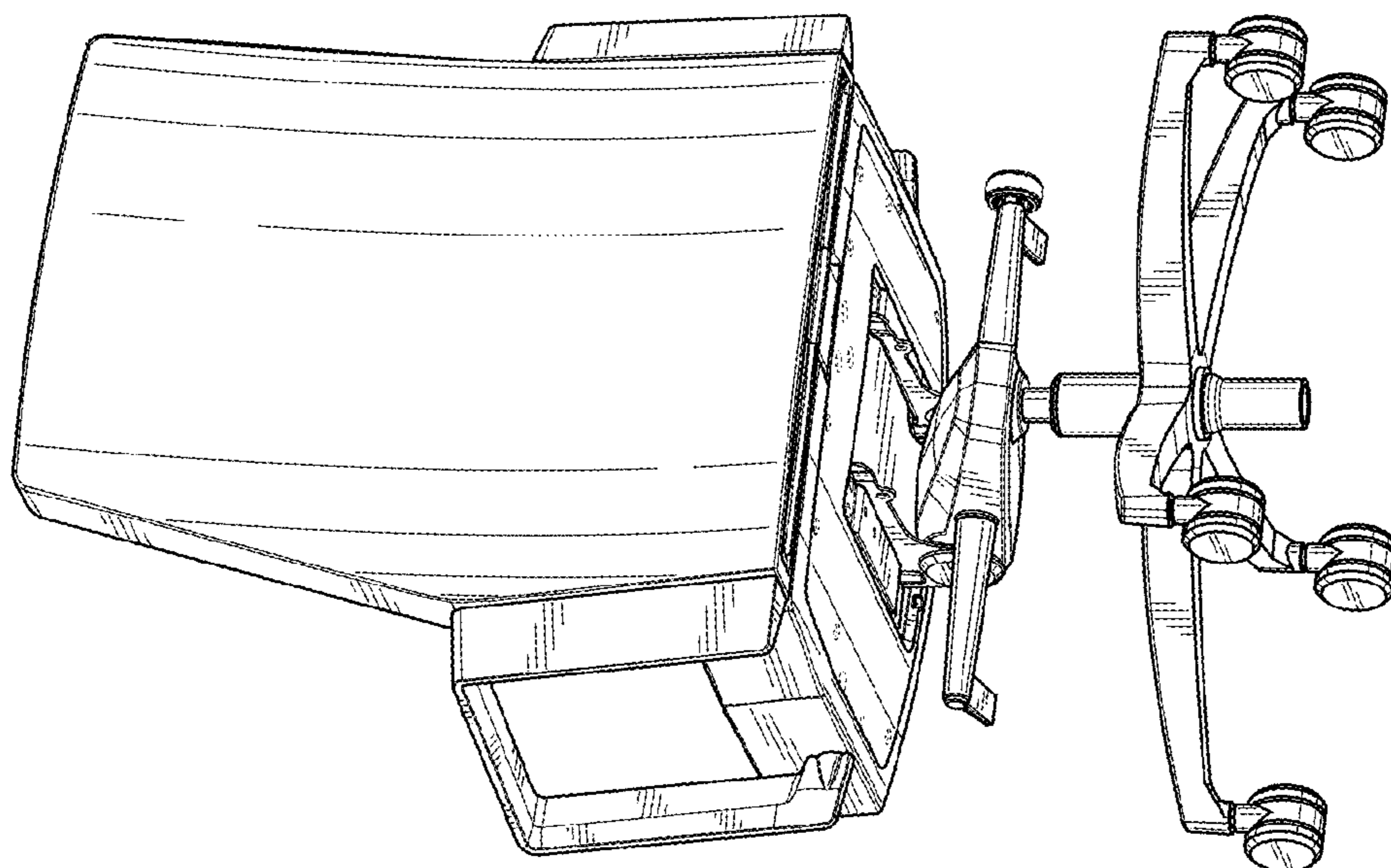


FIG. 10

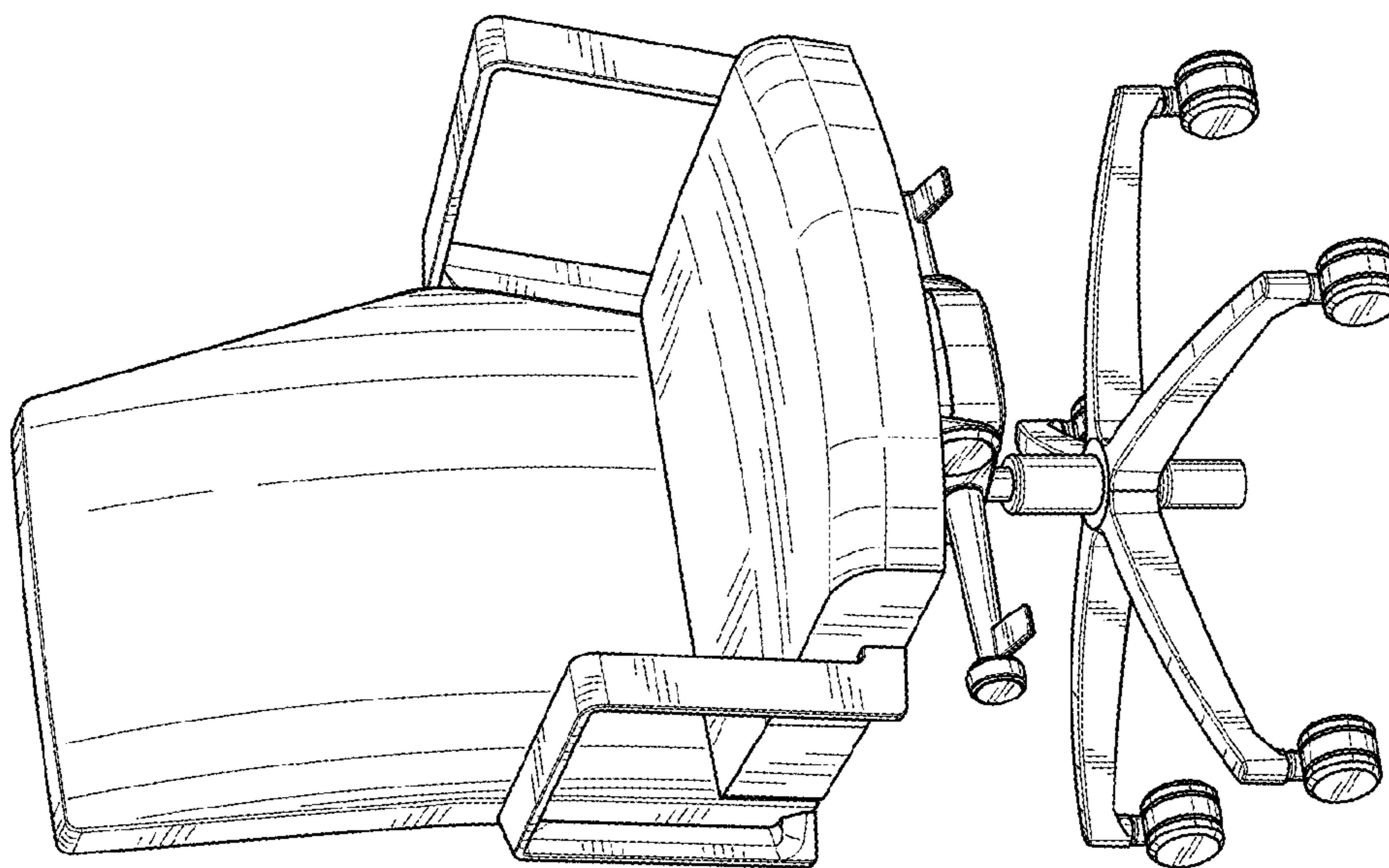


FIG. 9

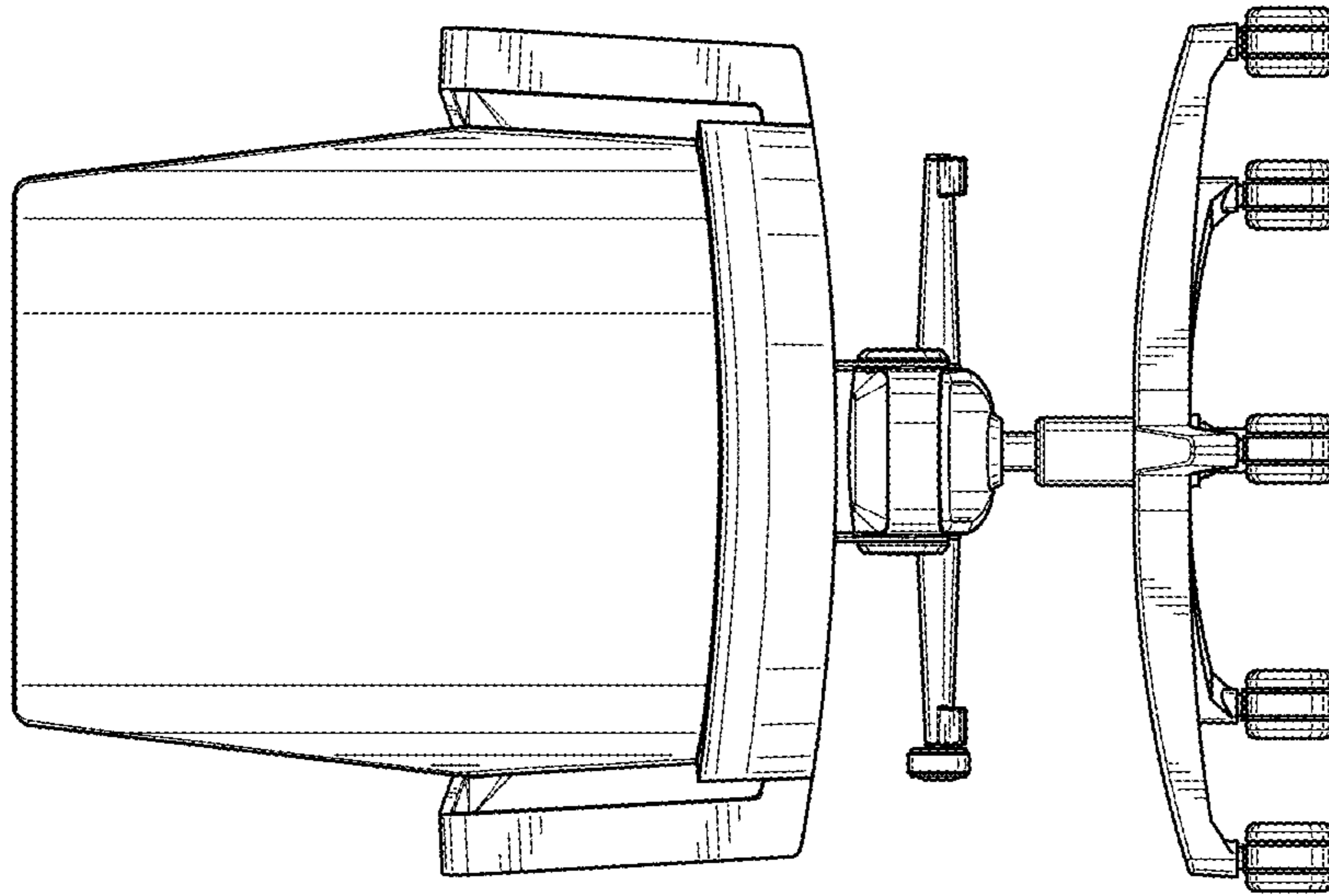


FIG. 12

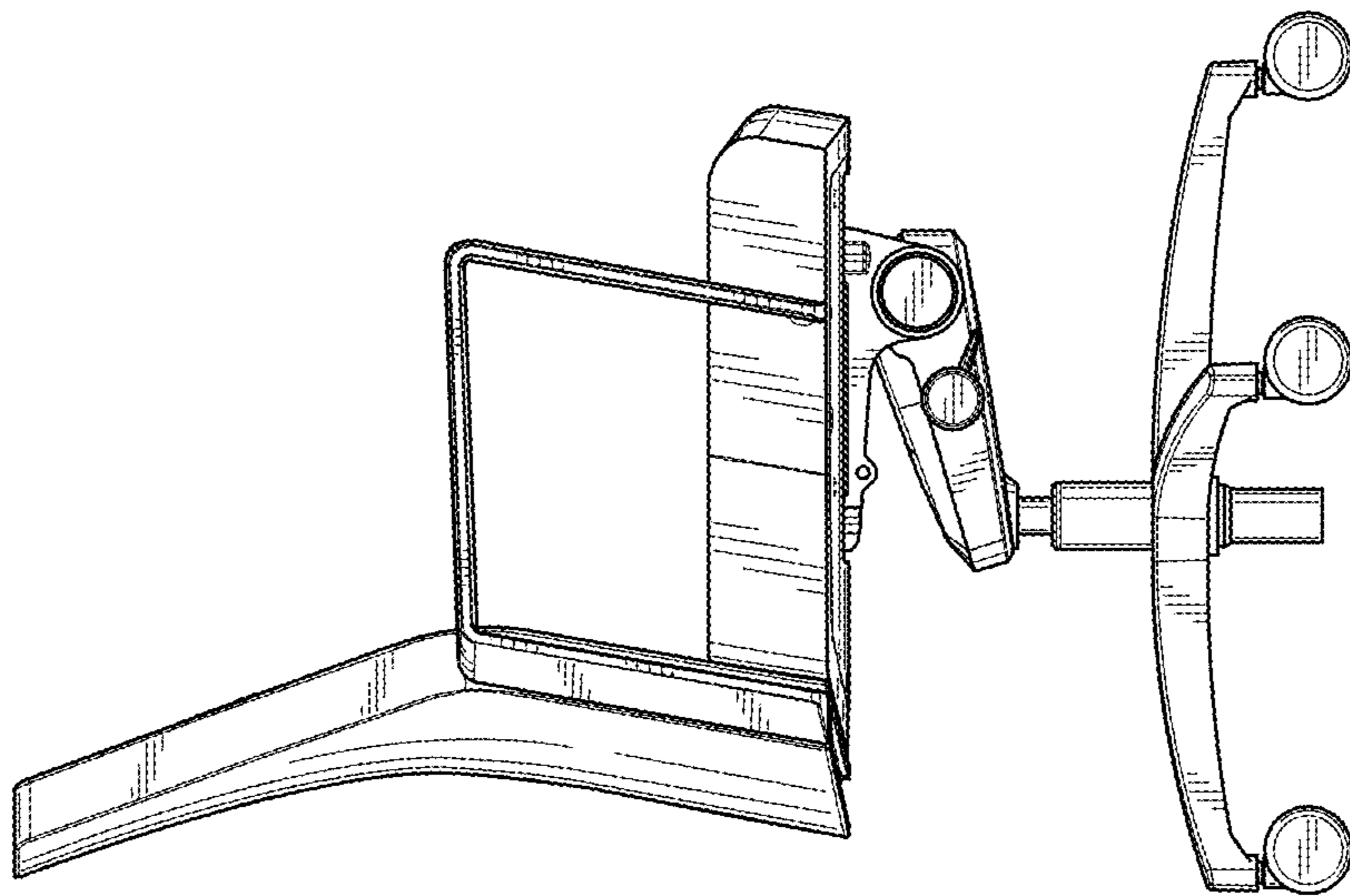


FIG. 11

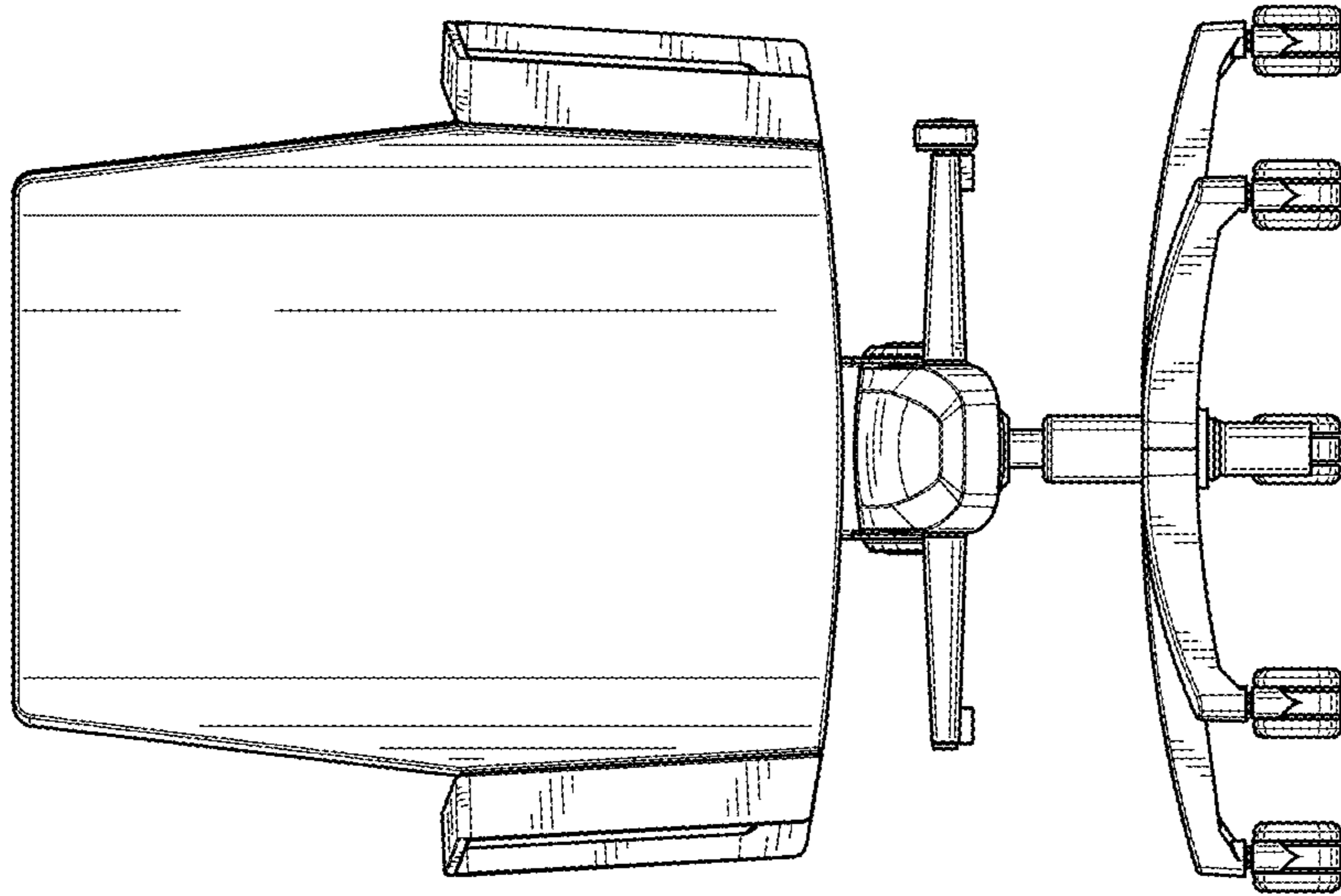


FIG. 14

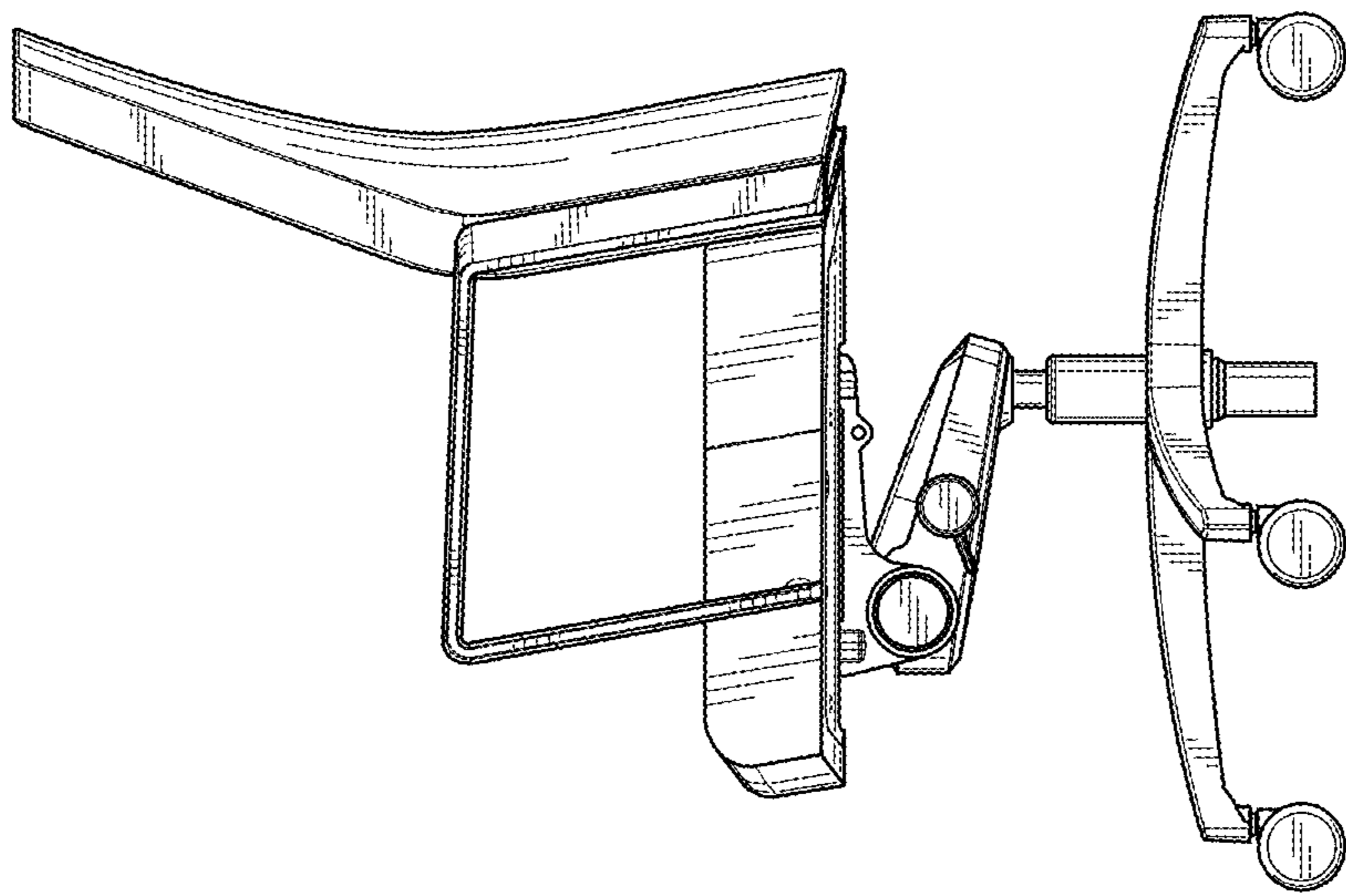


FIG. 13

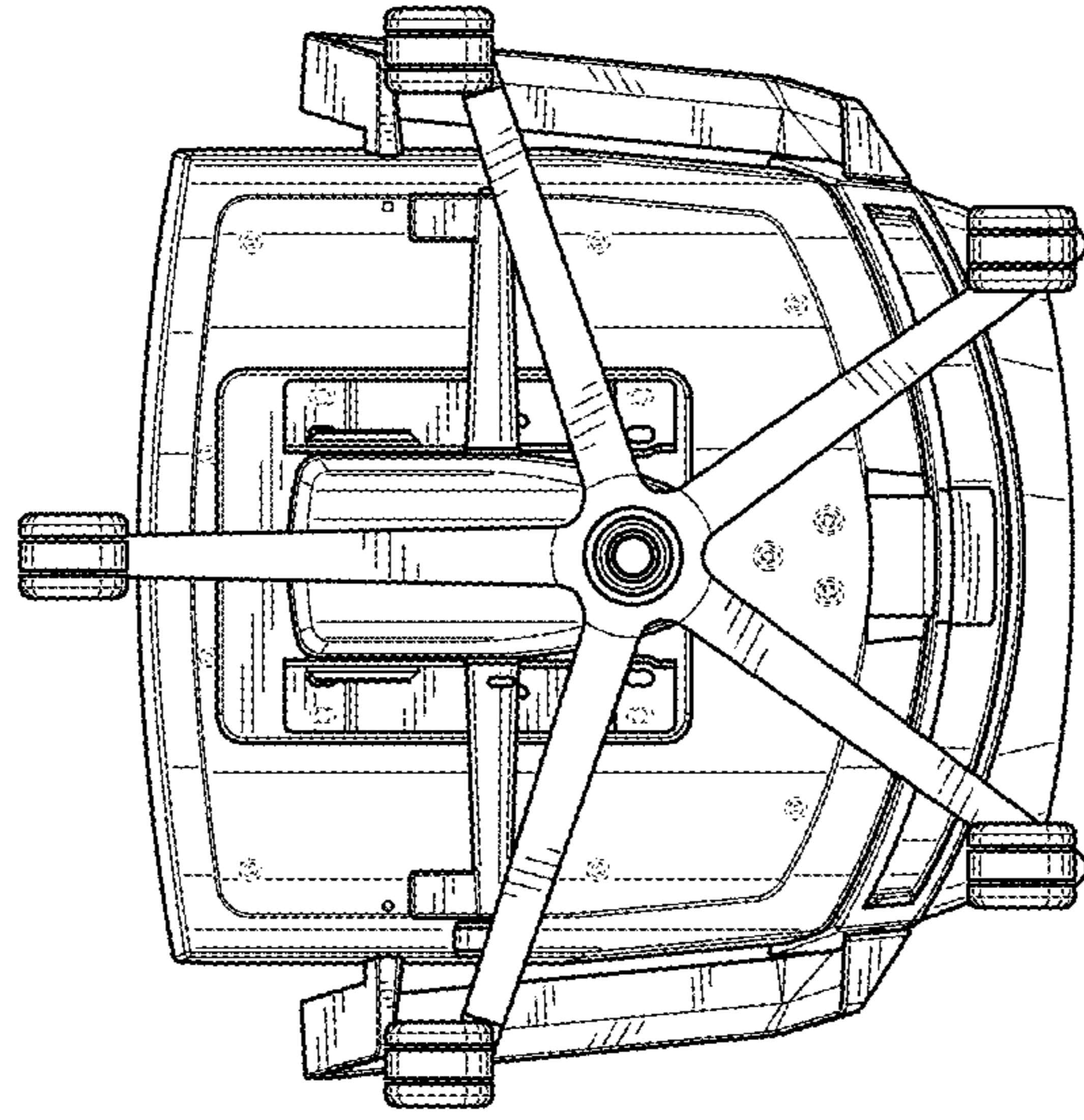


FIG. 15

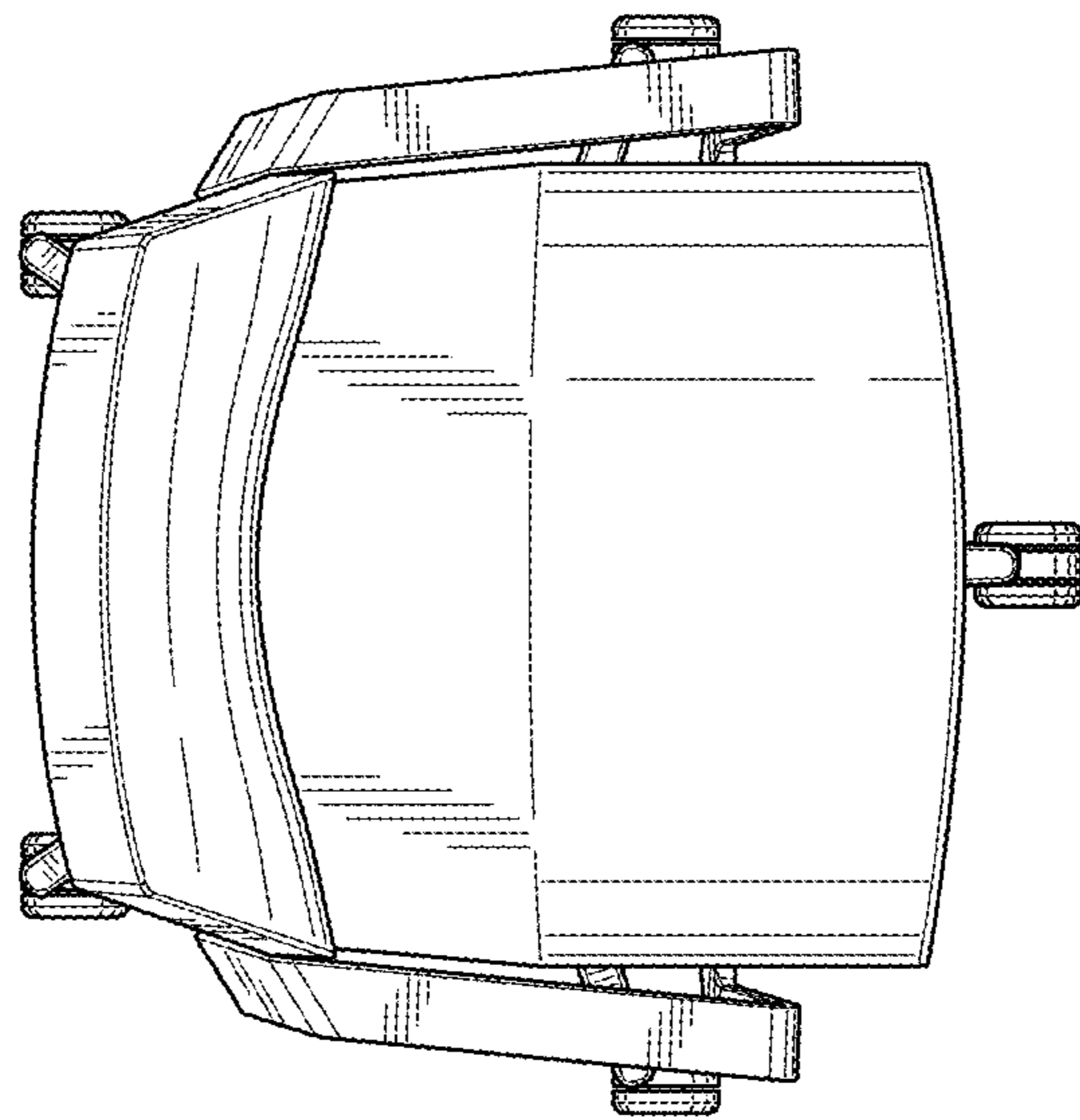


FIG. 16