



US00D761577S

(12) **United States Design Patent**
Agati et al.

(10) **Patent No.:** **US D761,577 S**
(45) **Date of Patent:** **** Jul. 19, 2016**

- (54) **SEAT WITH DESK**
- (71) Applicant: **Agati, Inc.**, Chicago, IL (US)
- (72) Inventors: **Joseph Alan Agati**, Chicago, IL (US);
Joseph Sebastian Agati, Chicago, IL (US)
- (73) Assignee: **Agati, Inc.**, Chicago, IL (US)
- (**) Term: **15 Years**
- (21) Appl. No.: **29/533,616**
- (22) Filed: **Jul. 20, 2015**
- (51) **LOC (10) Cl.** **06-01**
- (52) **U.S. Cl.**
USPC **D6/338**
- (58) **Field of Classification Search**
USPC D6/334, 335, 336, 338, 349, 355, 381,
D6/716, 716.1, 640, 641, 643, 656;
297/118, 119, 135, 144, 232, 445.1,
297/448.1, 452.18, 156, 175, 216.1; 5/12.1,
5/12.2
CPC A47C 1/02; A47C 1/12; A47C 11/00;
A47C 17/00; A47C 17/02; A47C 4/52;
A47C 9/00
See application file for complete search history.

D732,850 S * 6/2015 Bouroullec D6/643
D740,039 S * 10/2015 Bouroullec D6/335
2005/0140184 A1 * 6/2005 Williams A47C 13/00
297/135

OTHER PUBLICATIONS

Agati, Joseph Alan, et al., co-pending U.S. Appl. No. 29/533,612, filed Jul. 20, 2015, entitled "Seat and Desk Unit", and having a common inventor and assignee in the present application.

* cited by examiner

Primary Examiner — Sandra Snapp

(74) *Attorney, Agent, or Firm* — Patzik, Frank & Samotny Ltd.

(57) **CLAIM**

The ornamental design for a seat with desk, as shown and described.

DESCRIPTION

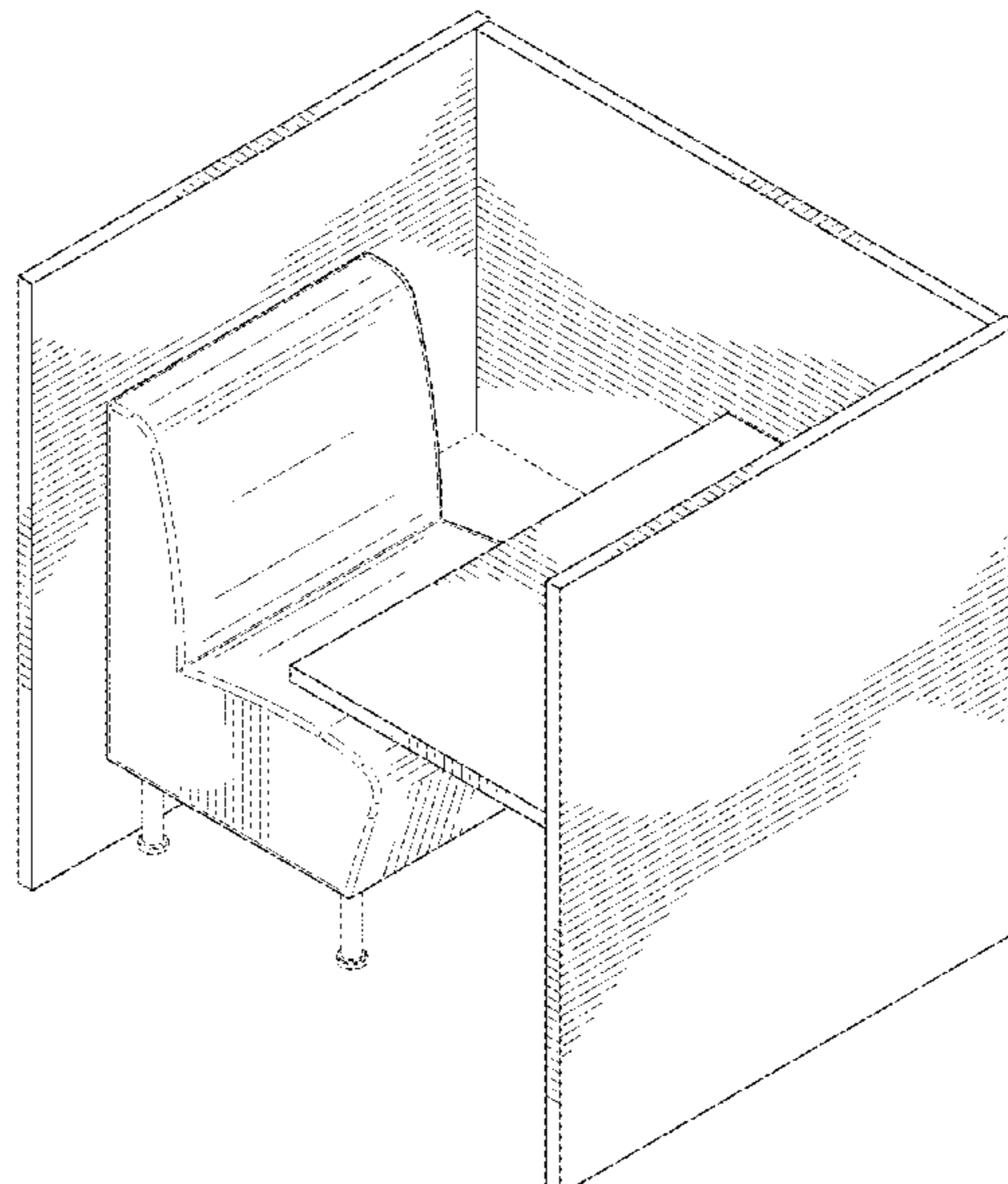
FIG. 1 is a front perspective view of the seat with desk of the present invention;
 FIG. 2 is a front elevation view thereof;
 FIG. 3 is a rear elevation view thereof;
 FIG. 4 is a left side elevation view thereof, the right side elevation being a mirror image thereof;
 FIG. 5 is a top plan view thereof;
 FIG. 6 is a bottom plan view thereof;
 FIG. 7 is a front perspective view of a second embodiment of the seat with desk of the present invention;
 FIG. 8 is a front elevation view thereof;
 FIG. 9 is a rear elevation view thereof;
 FIG. 10 is a left side elevation view thereof, the right side elevation being a mirror image thereof;
 FIG. 11 is a top plan view thereof; and,
 FIG. 12 is a bottom plan view thereof.
 Any features illustrated in broken lines do not comprise part of the presently claimed design.

(56) **References Cited**

U.S. PATENT DOCUMENTS

- D616,209 S * 5/2010 Singler D6/338
- D675,458 S * 2/2013 Martin D6/381
- D677,477 S 3/2013 Agati et al.
- D677,496 S 3/2013 Agati et al.
- 8,534,752 B2 * 9/2013 Martin A47B 3/06
108/50.11
- D698,177 S * 1/2014 Nguyen D6/381
- D720,160 S * 12/2014 Lloyd D6/643

1 Claim, 12 Drawing Sheets



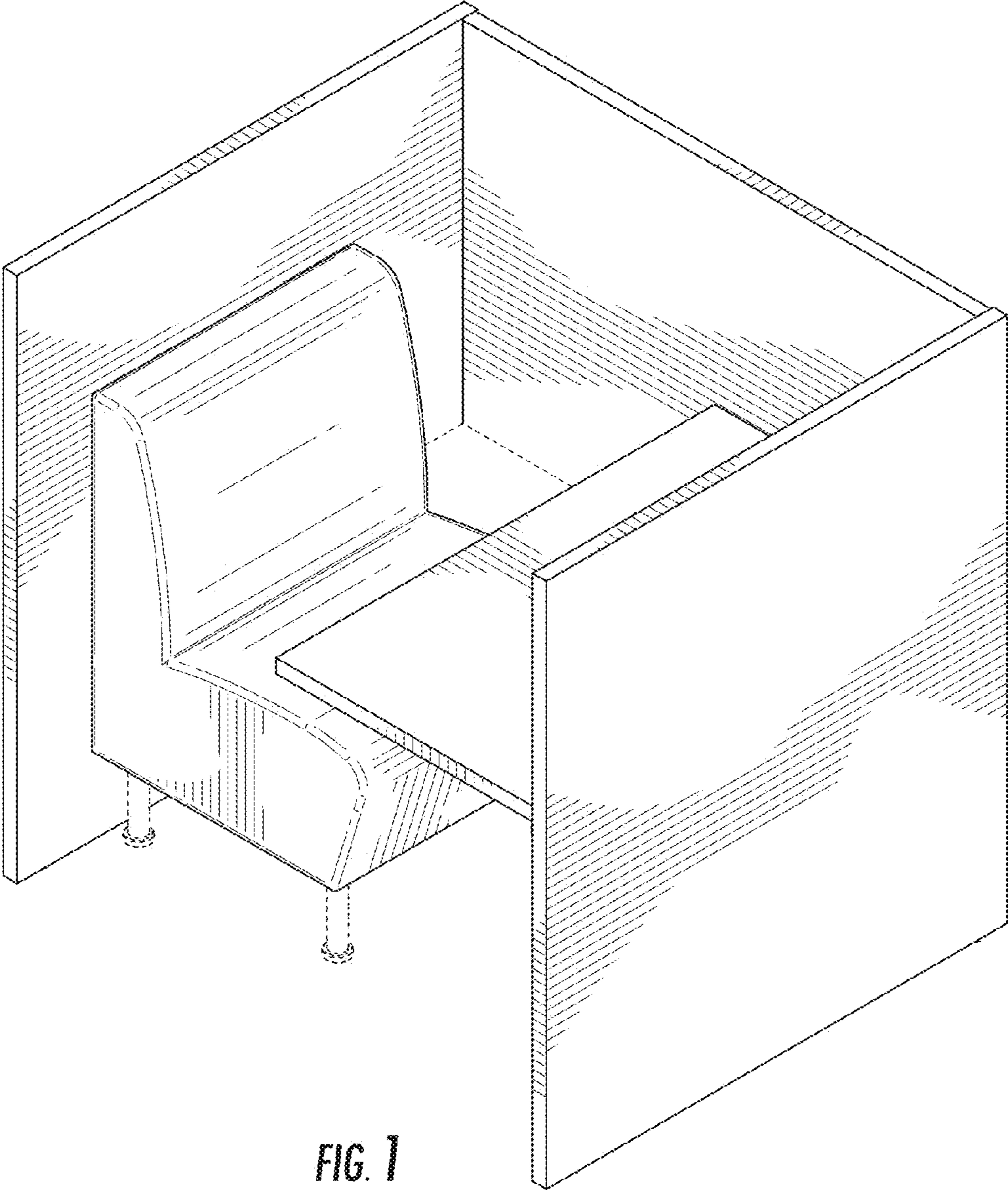


FIG. 1

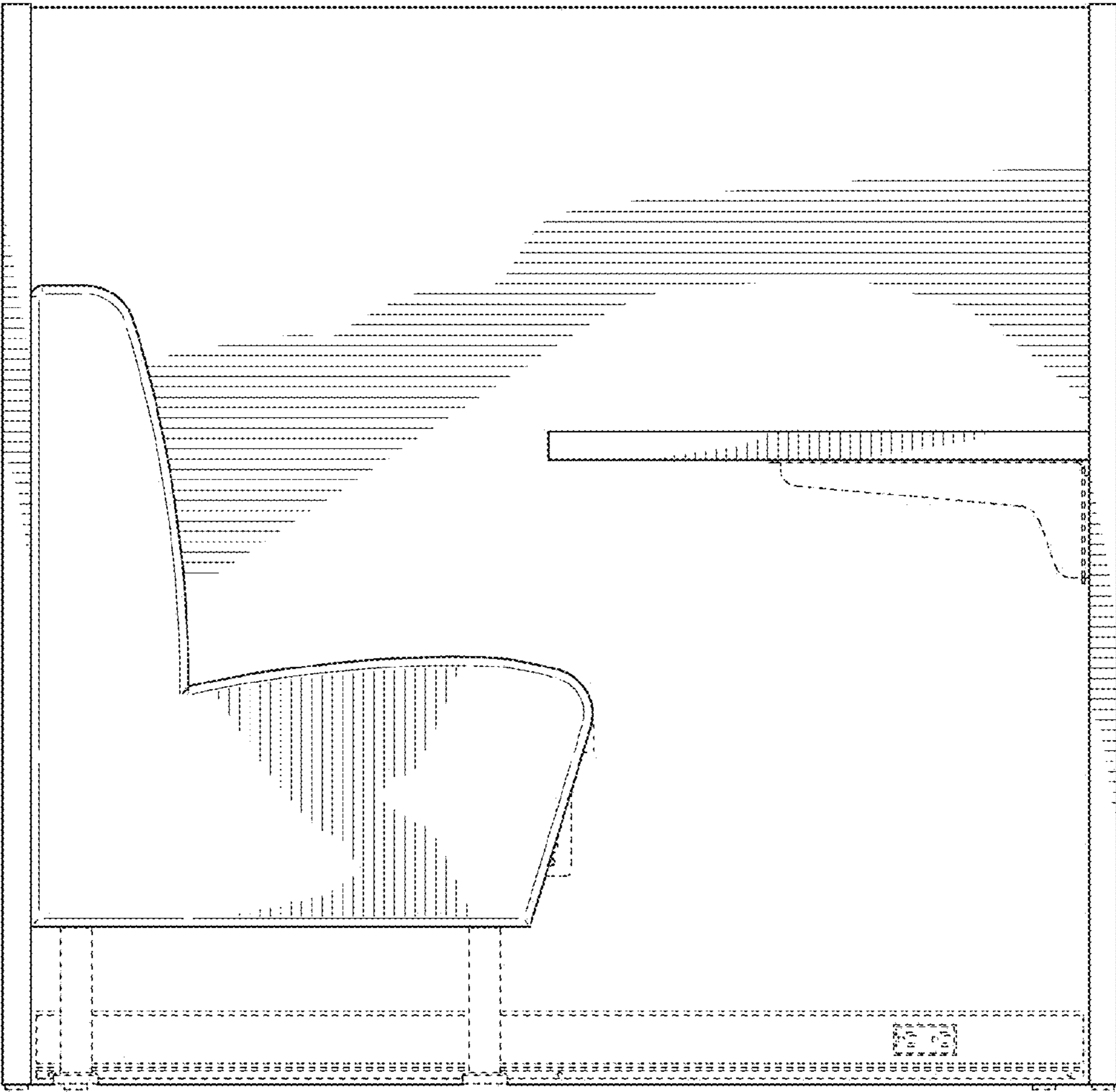


FIG. 2

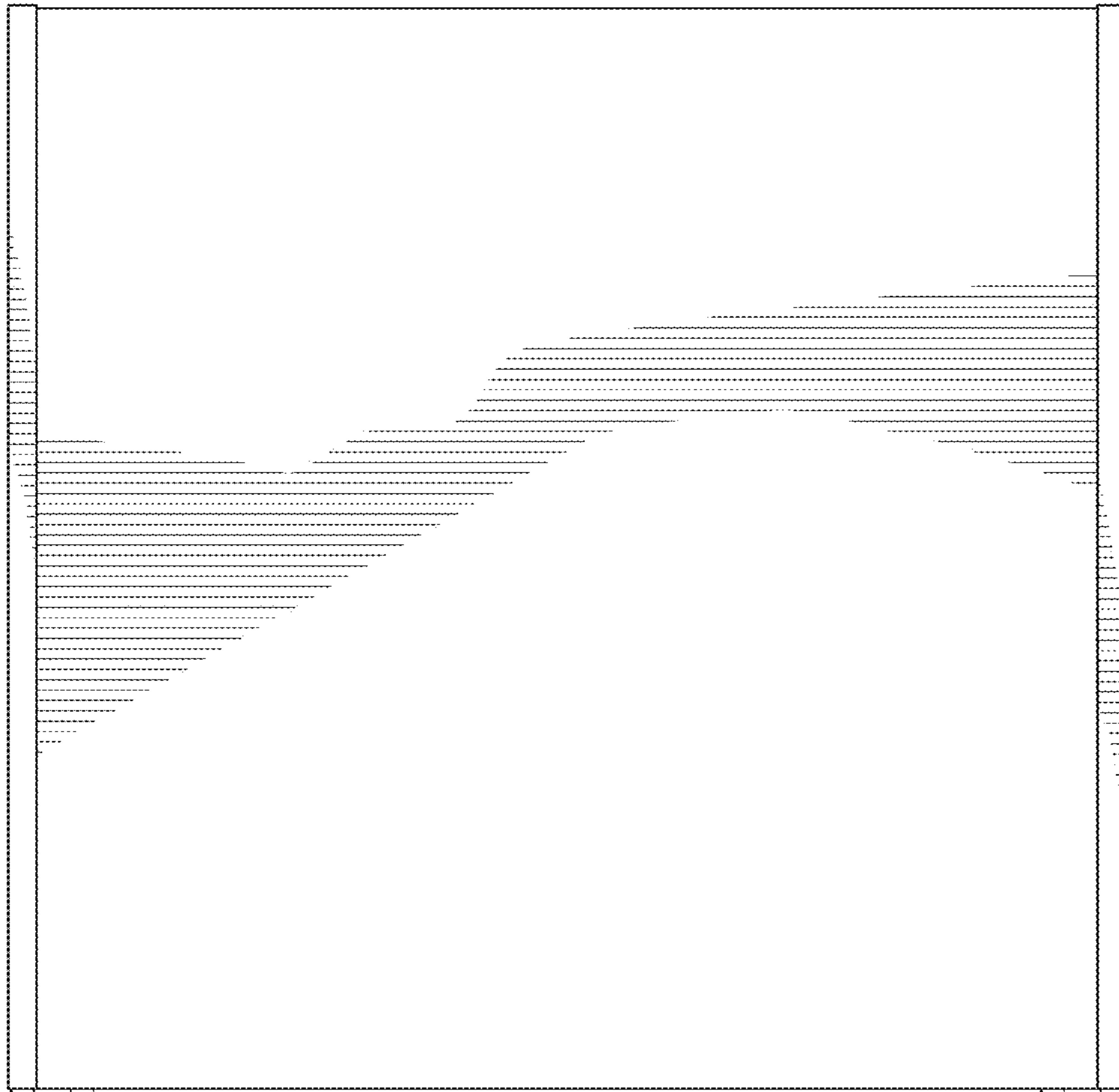


FIG. 3

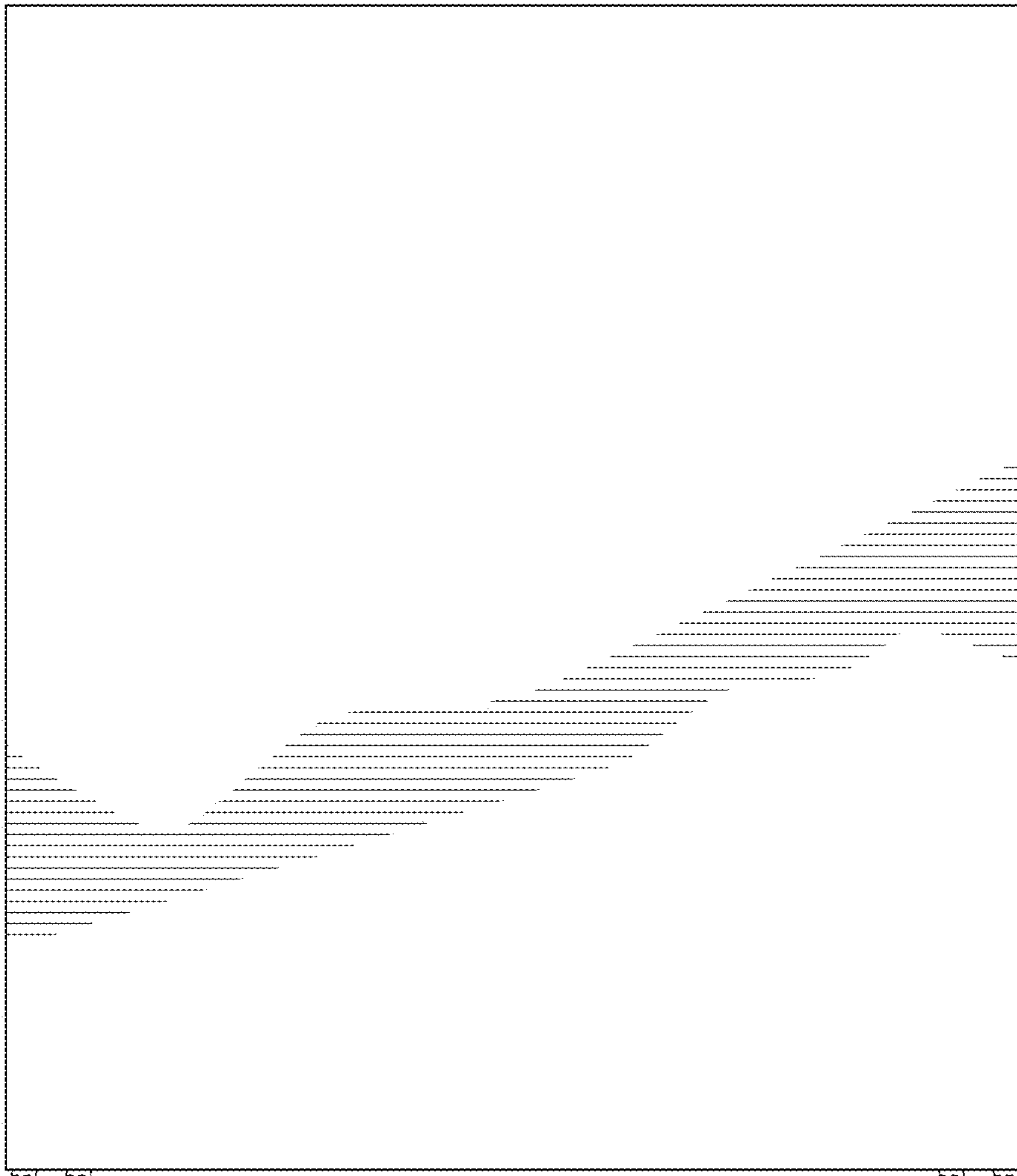


FIG. 4

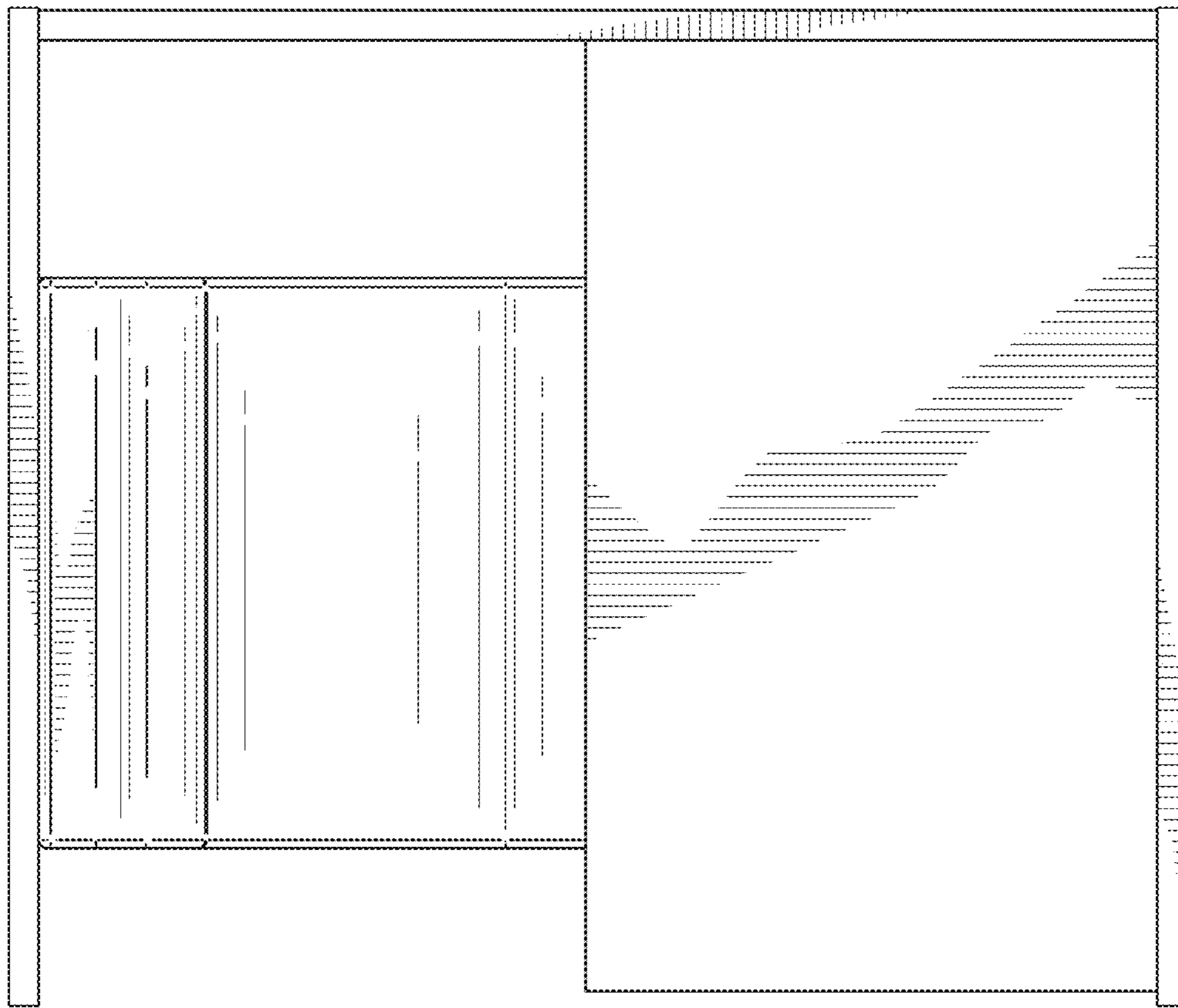


FIG. 5

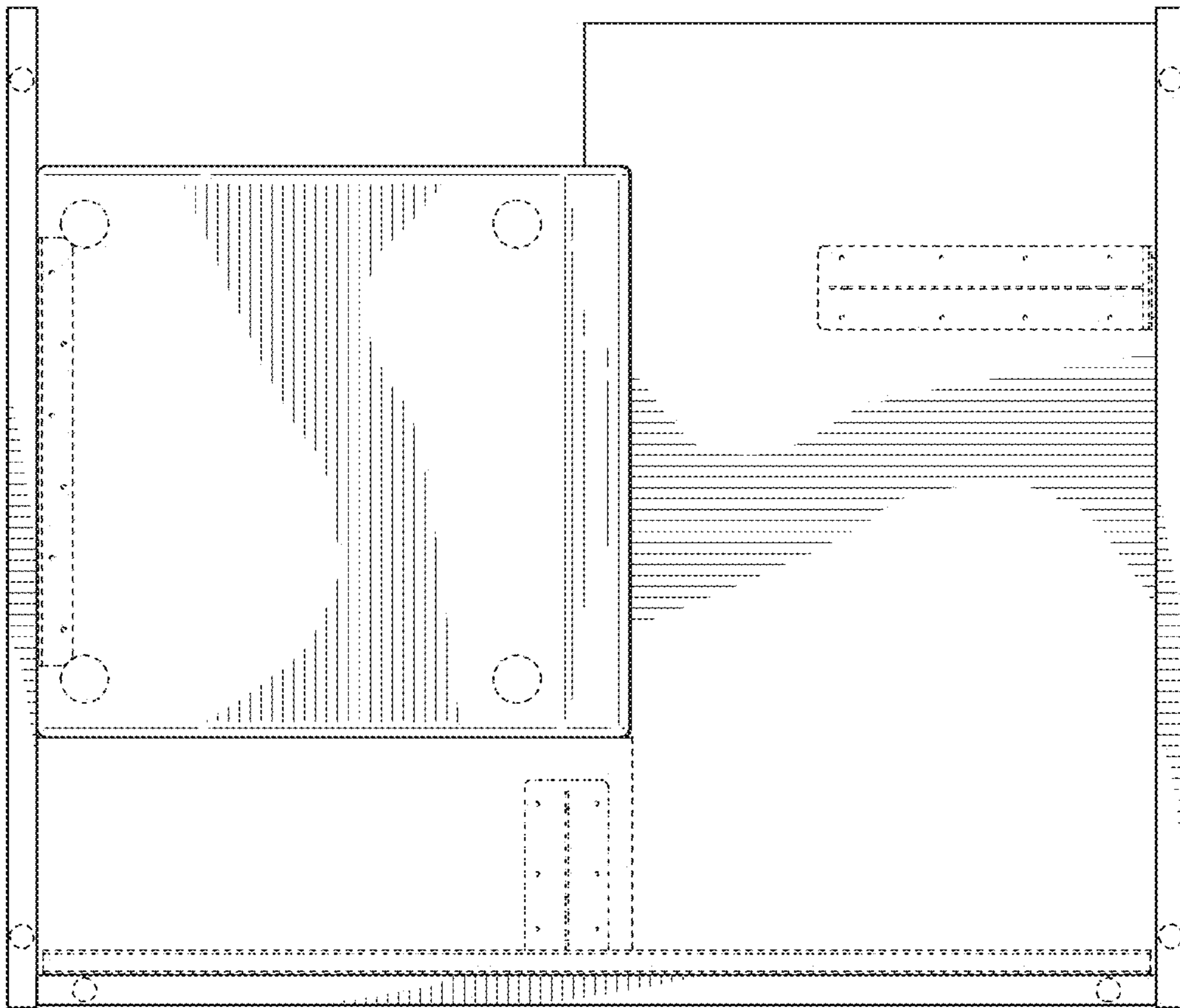
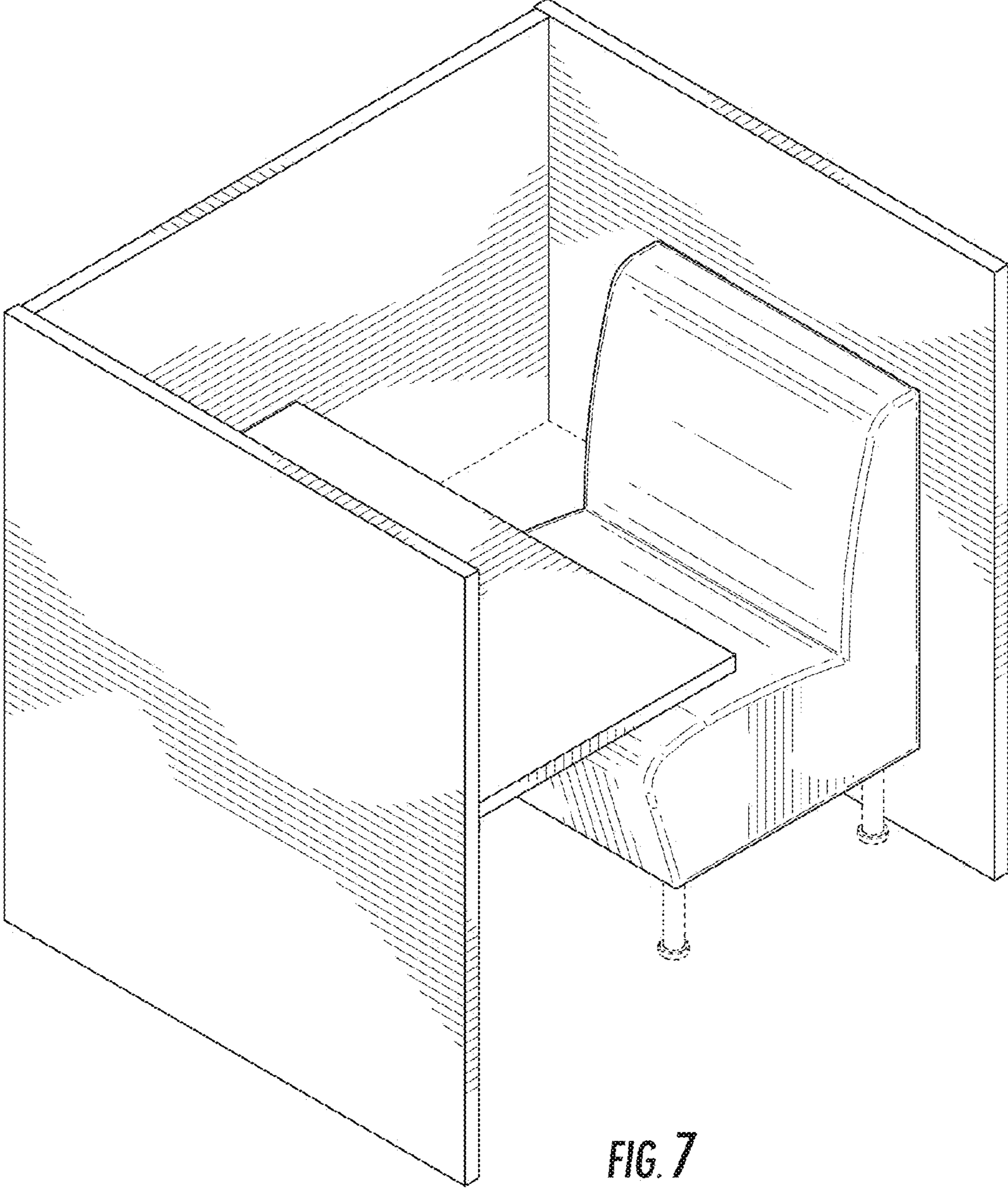


FIG. 6



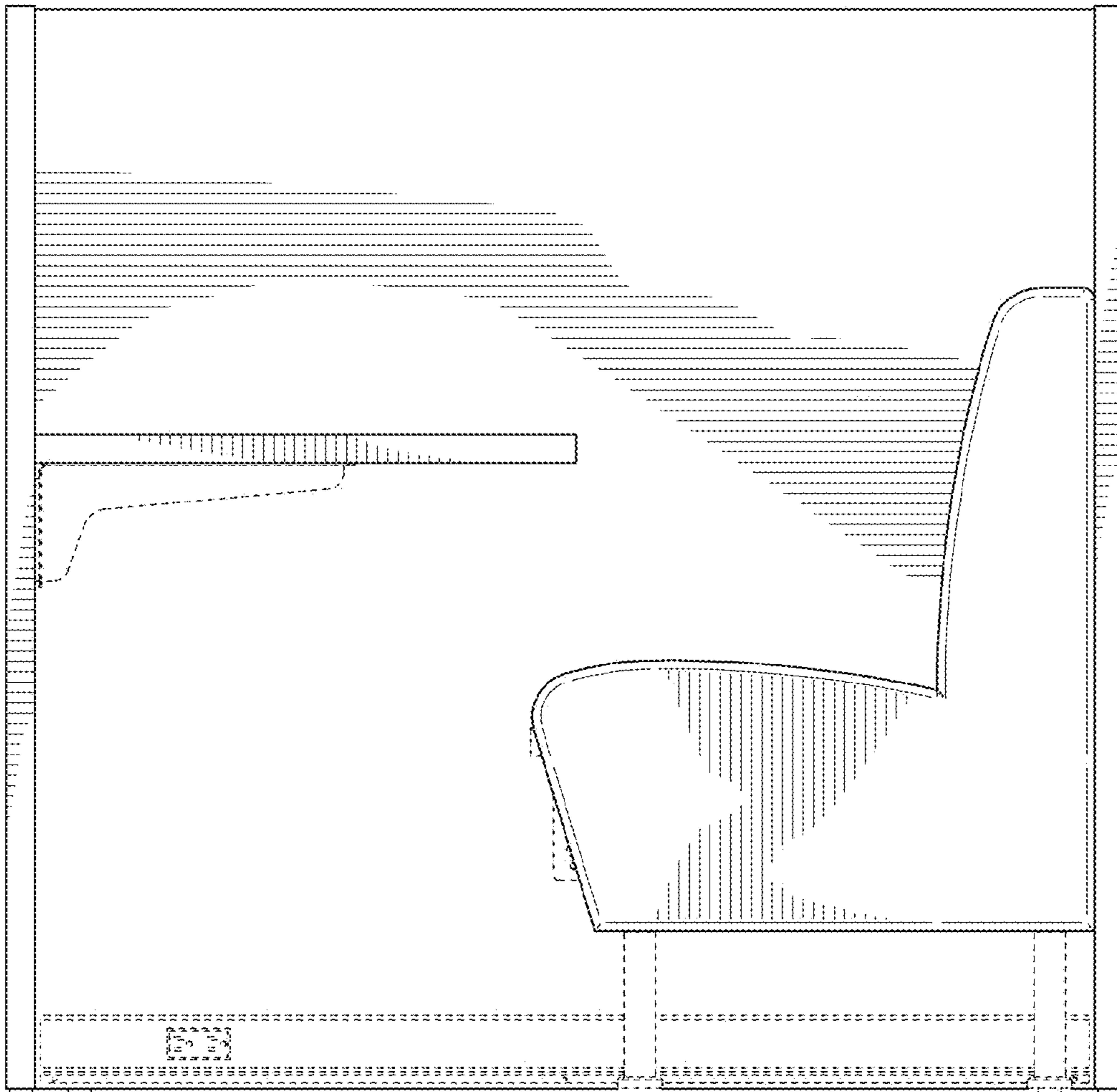


FIG. 8

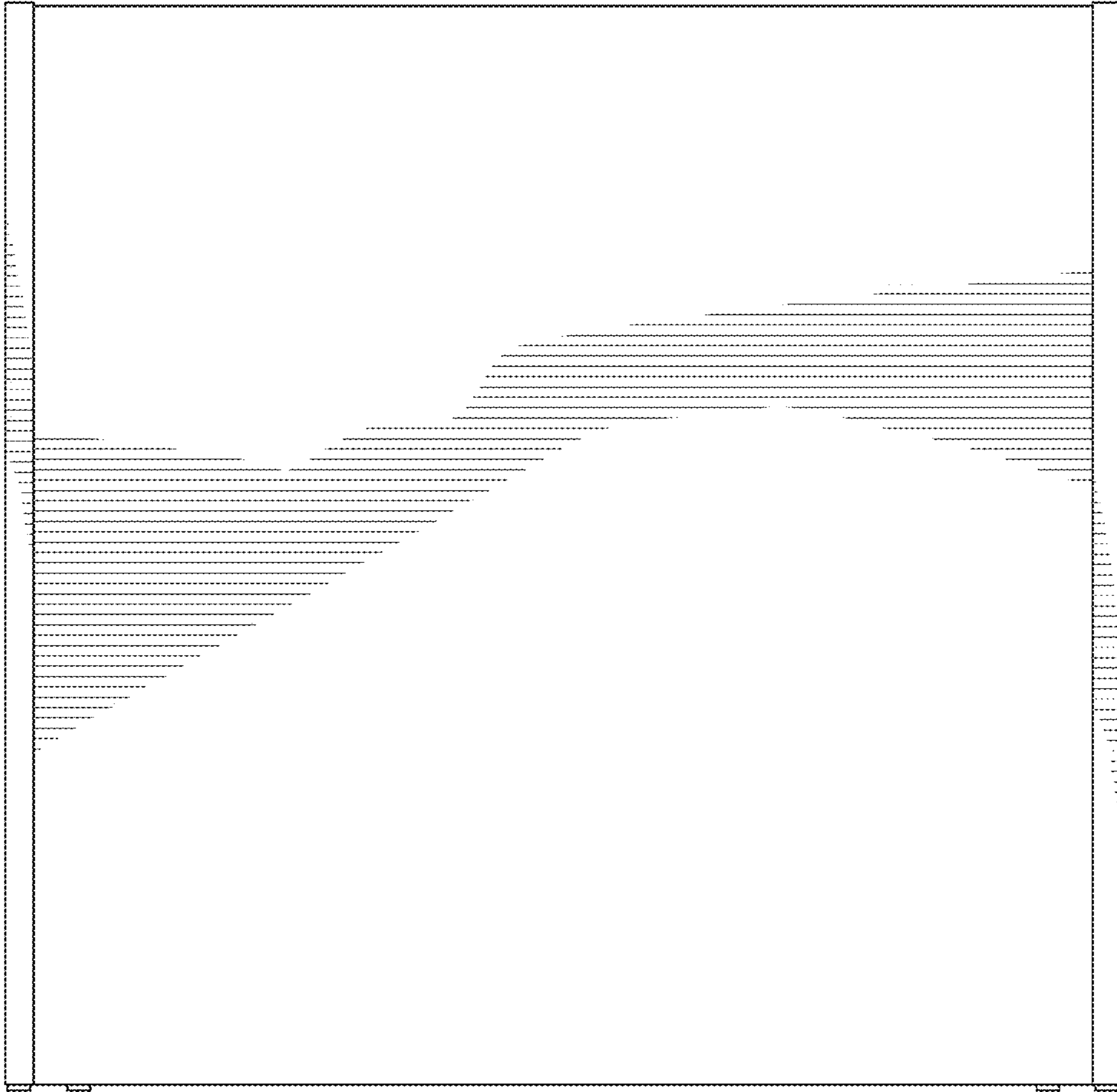


FIG. 9

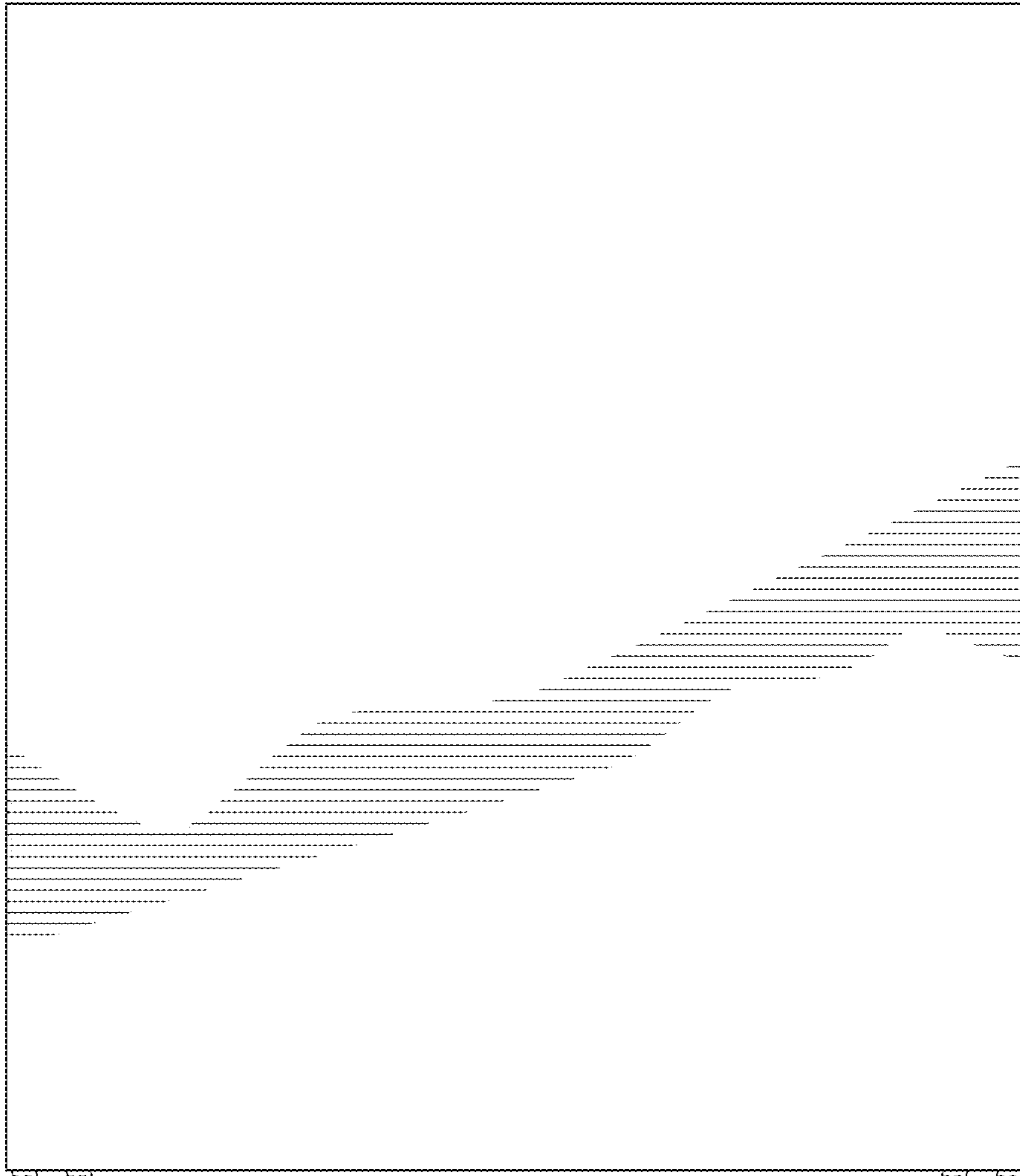


FIG. 10

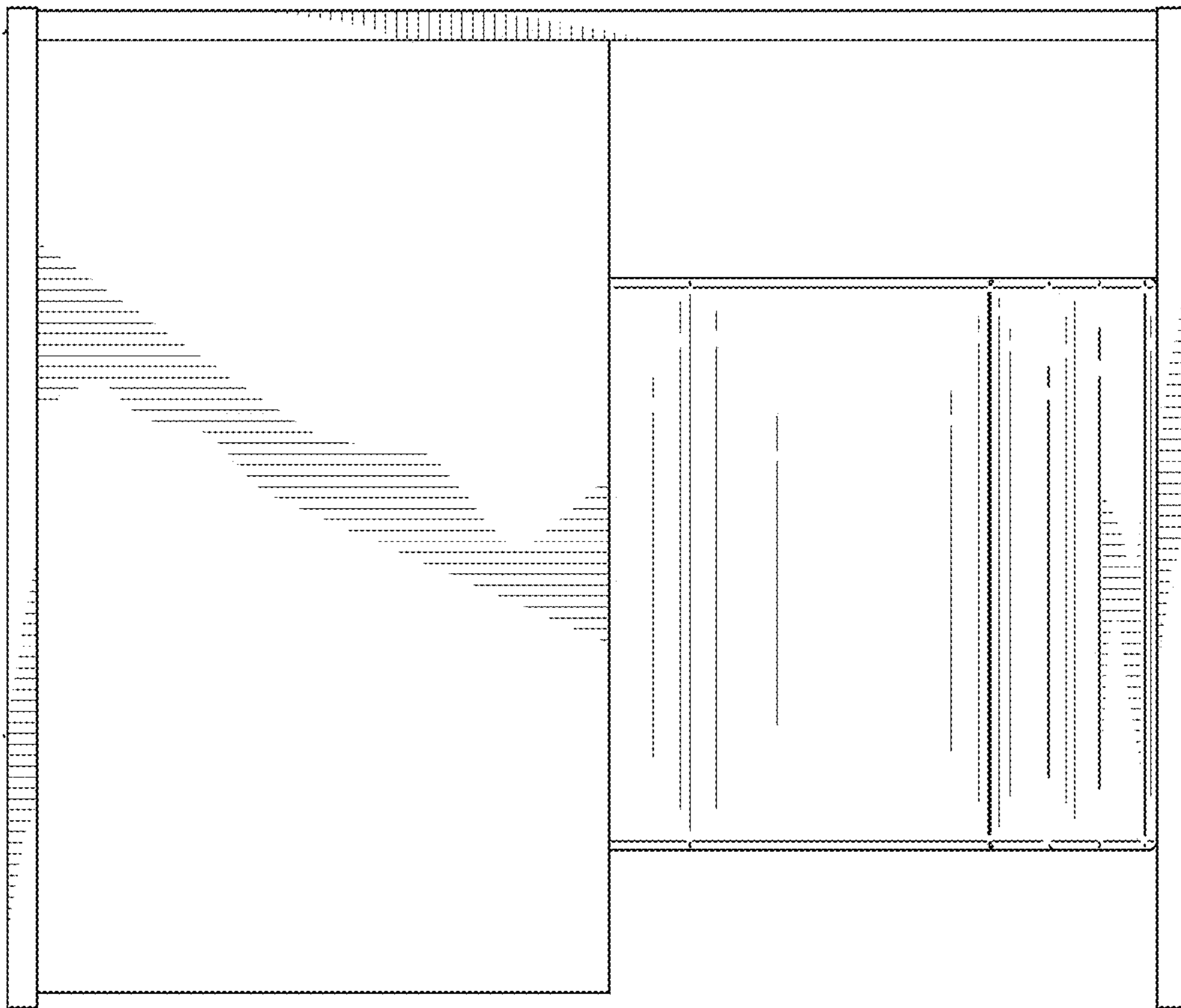


FIG. 11

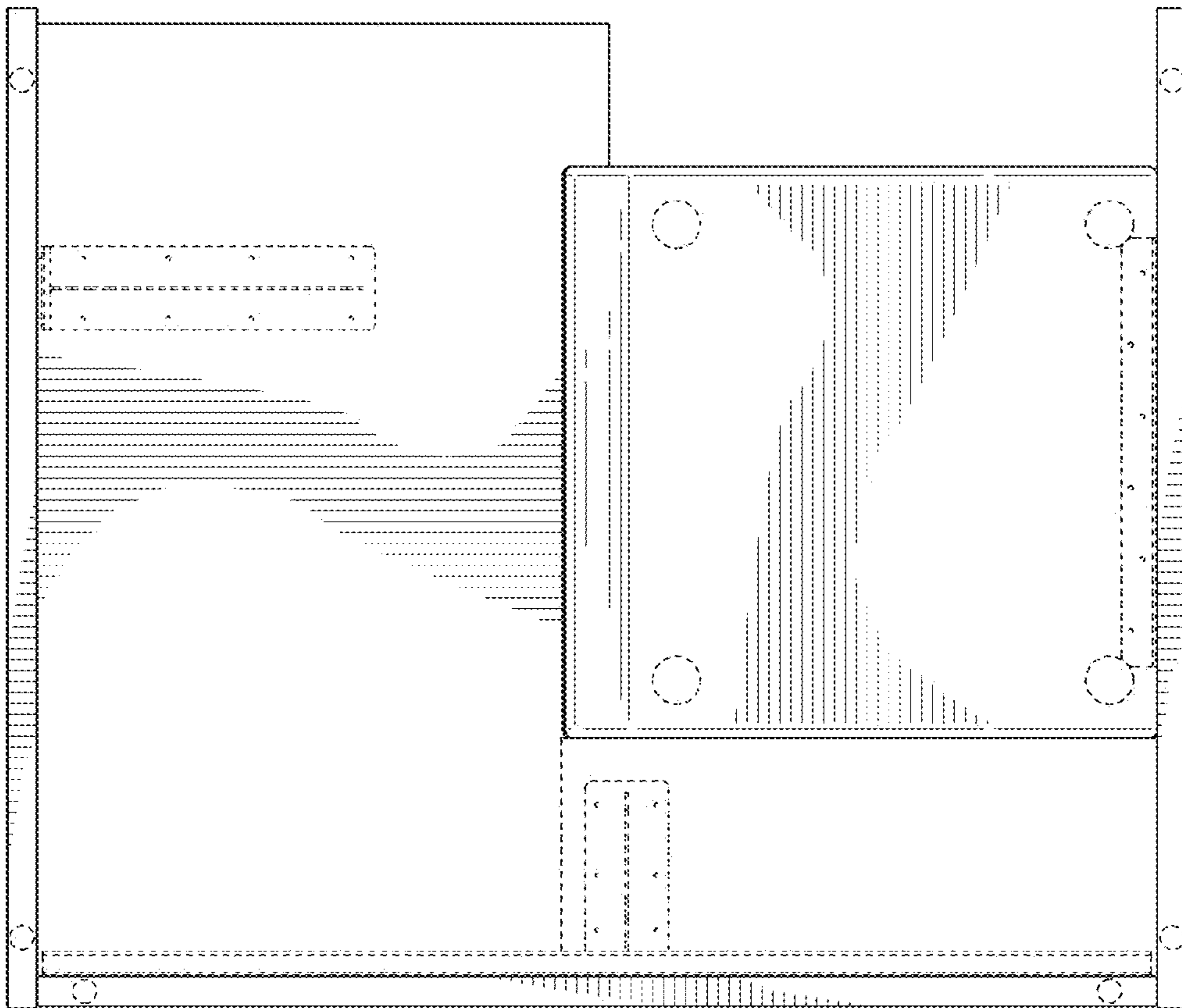


FIG. 12