



US00D761576S

(12) **United States Design Patent**
Agati et al.

(10) **Patent No.:** **US D761,576 S**
(45) **Date of Patent:** **** Jul. 19, 2016**

- (54) **SEAT WITH DESK**
- (71) Applicant: **Agati, Inc.**, Chicago, IL (US)
- (72) Inventors: **Joseph Alan Agati**, Chicago, IL (US);
Joseph Sebastian Agati, Chicago, IL (US)
- (73) Assignee: **Agati, Inc.**, Chicago, IL (US)
- (**) Term: **15 Years**
- (21) Appl. No.: **29/533,612**
- (22) Filed: **Jul. 20, 2015**
- (51) **LOC (10) Cl.** **06-01**
- (52) **U.S. Cl.**
USPC **D6/338**
- (58) **Field of Classification Search**
USPC D6/334, 335, 336, 338, 349, 355, 381,
D6/716, 716.1, 640, 641, 643, 656;
297/118, 119, 135, 144, 232, 445.1,
297/448.1, 452.18, 156, 175, 216.1; 5/12.1,
5/12.2
CPC A47C 1/02; A47C 1/12; A47C 11/00;
A47C 17/00; A47C 17/02; A47C 4/52;
A47C 9/00
See application file for complete search history.

- D659,427 S * 5/2012 Nicolas D6/644
- D659,428 S * 5/2012 Nicolas D6/644
- D677,477 S 3/2013 Agati et al.
- D677,496 S 3/2013 Agati et al.
- D727,042 S * 4/2015 Wagner D6/338

OTHER PUBLICATIONS

Agati, Joseph Alan, et al., co-pending U.S. Appl. No. 29/533,616, filed Jul. 20, 2015, entitled "Seat and Desk Unit".

* cited by examiner

Primary Examiner — Sandra Snapp

(74) *Attorney, Agent, or Firm* — Patzik, Frank & Samotny Ltd.

(57) **CLAIM**

The ornamental design for a seat with desk, as shown and described.

DESCRIPTION

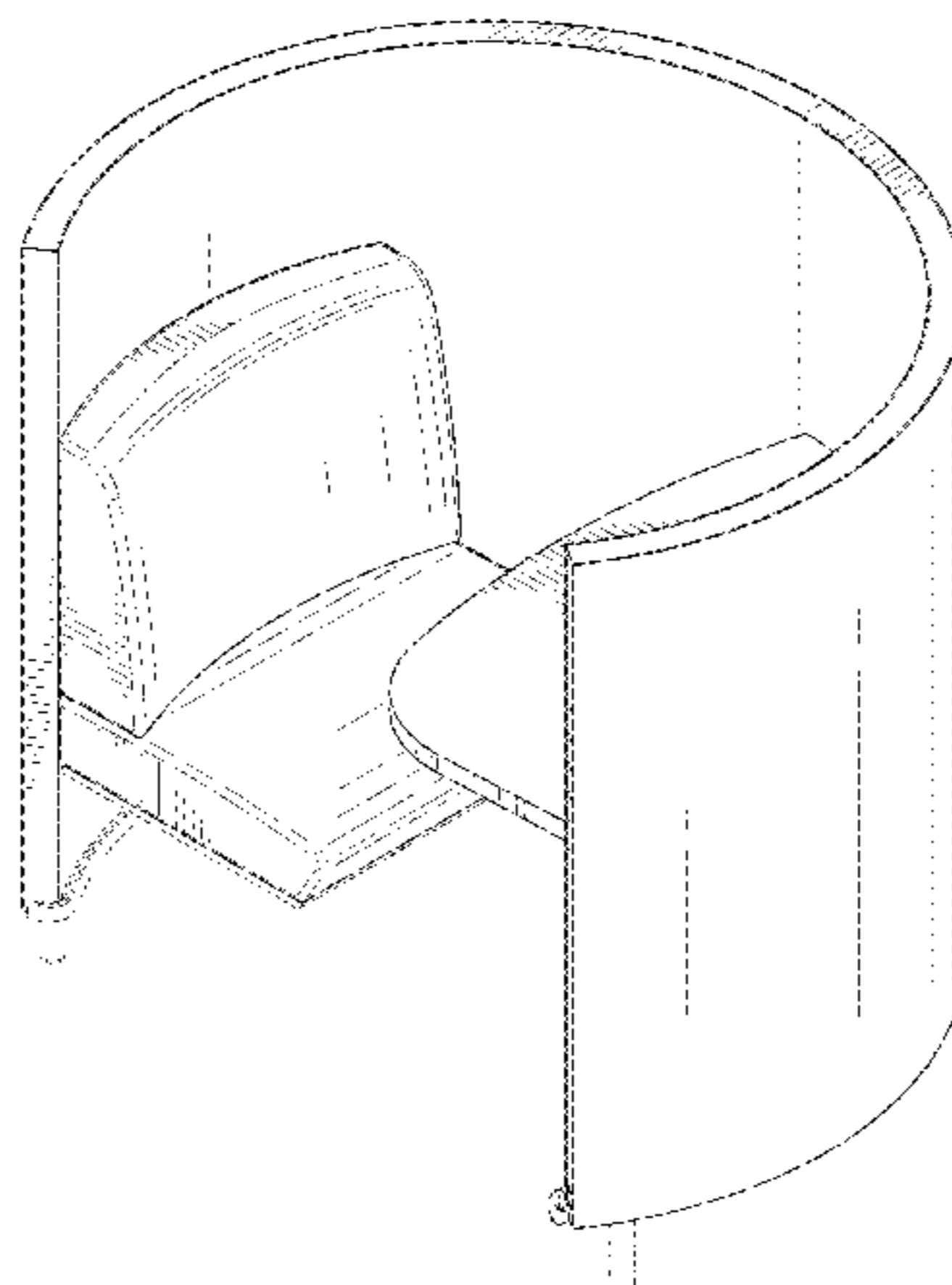
FIG. 1 is a front perspective view of the seat with desk of the present invention;
 FIG. 2 is a front elevation view thereof;
 FIG. 3 is a rear elevation view thereof;
 FIG. 4 is a left side elevation view thereof, the right side elevation being a mirror image thereof;
 FIG. 5 is a top plan view thereof;
 FIG. 6 is a bottom plan view thereof;
 FIG. 7 is a front perspective view of a second embodiment of the seat with desk of the present invention;
 FIG. 8 is a front elevation view thereof;
 FIG. 9 is a rear elevation view thereof;
 FIG. 10 is a left side elevation view thereof, the right side elevation being a mirror image thereof;
 FIG. 11 is a top plan view thereof; and,
 FIG. 12 is a bottom plan view thereof.
 Any features illustrated in broken lines do not comprise part of the presently claimed design.

1 Claim, 12 Drawing Sheets

(56) **References Cited**

U.S. PATENT DOCUMENTS

- D147,386 S * 8/1947 Thomas D25/16
- 2,430,241 A * 11/1947 Nicholas A47B 85/00
297/118
- D225,871 S * 1/1973 Crannel D6/643
- D286,956 S * 12/1986 Lockwood D25/16
- D302,362 S * 7/1989 Armstrong D25/16
- D353,946 S * 1/1995 Fischer D25/58
- D354,818 S * 1/1995 Johnson D25/58
- D385,044 S * 10/1997 Johnson D25/58
- D530,104 S * 10/2006 Saffell D6/332
- D538,060 S * 3/2007 Golino D6/643



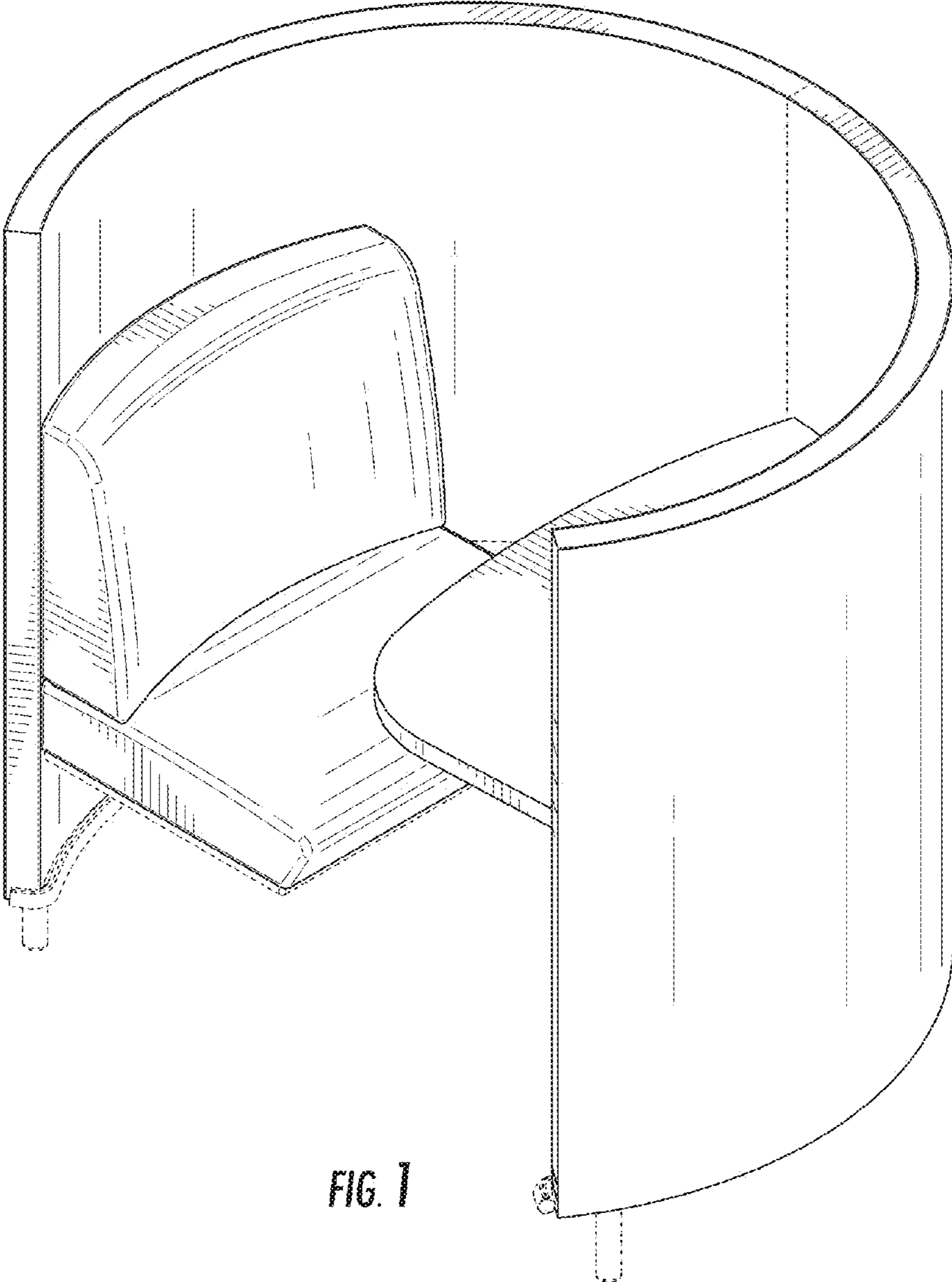


FIG. 1

2/12

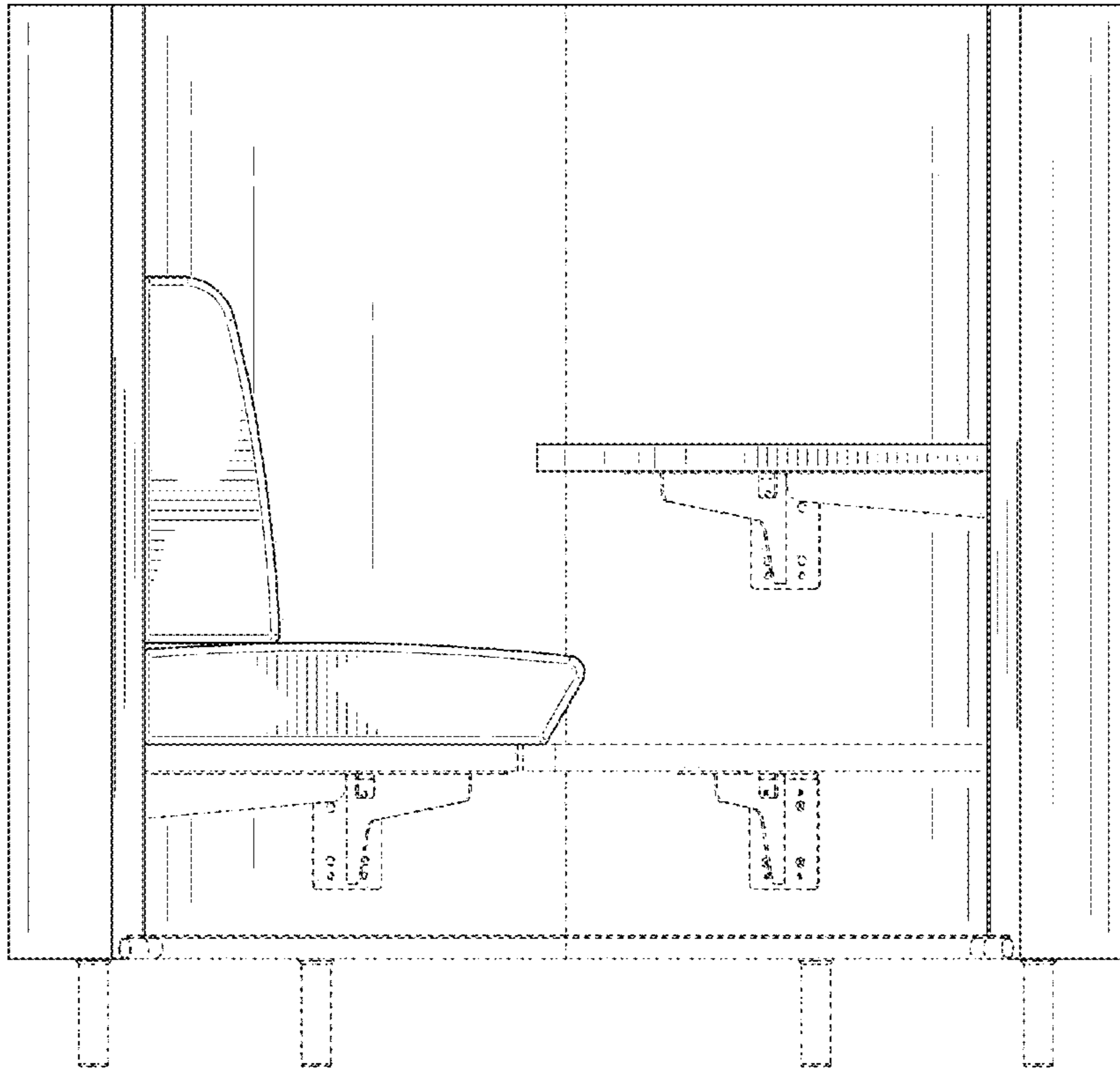


FIG. 2

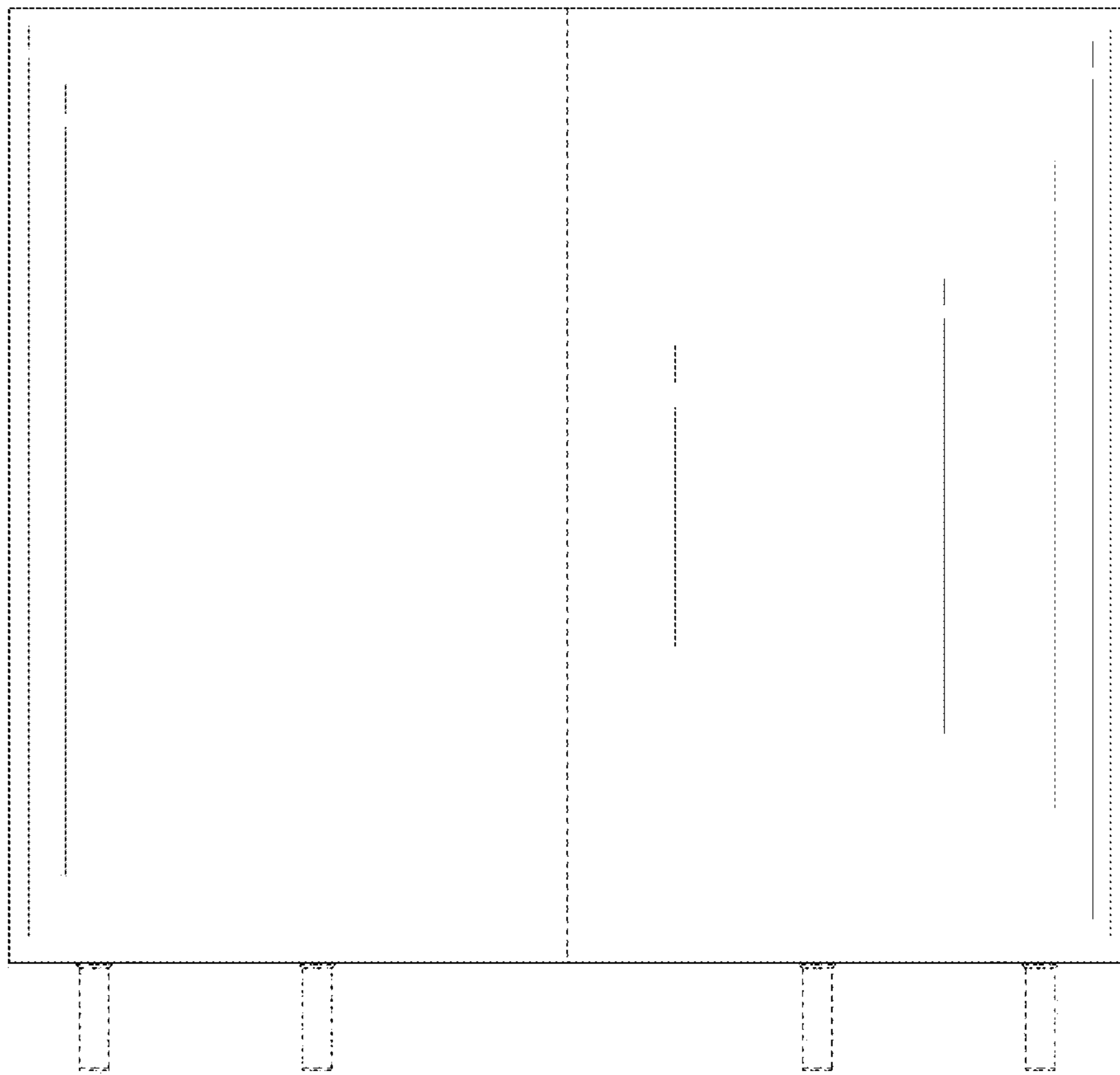


FIG. 3

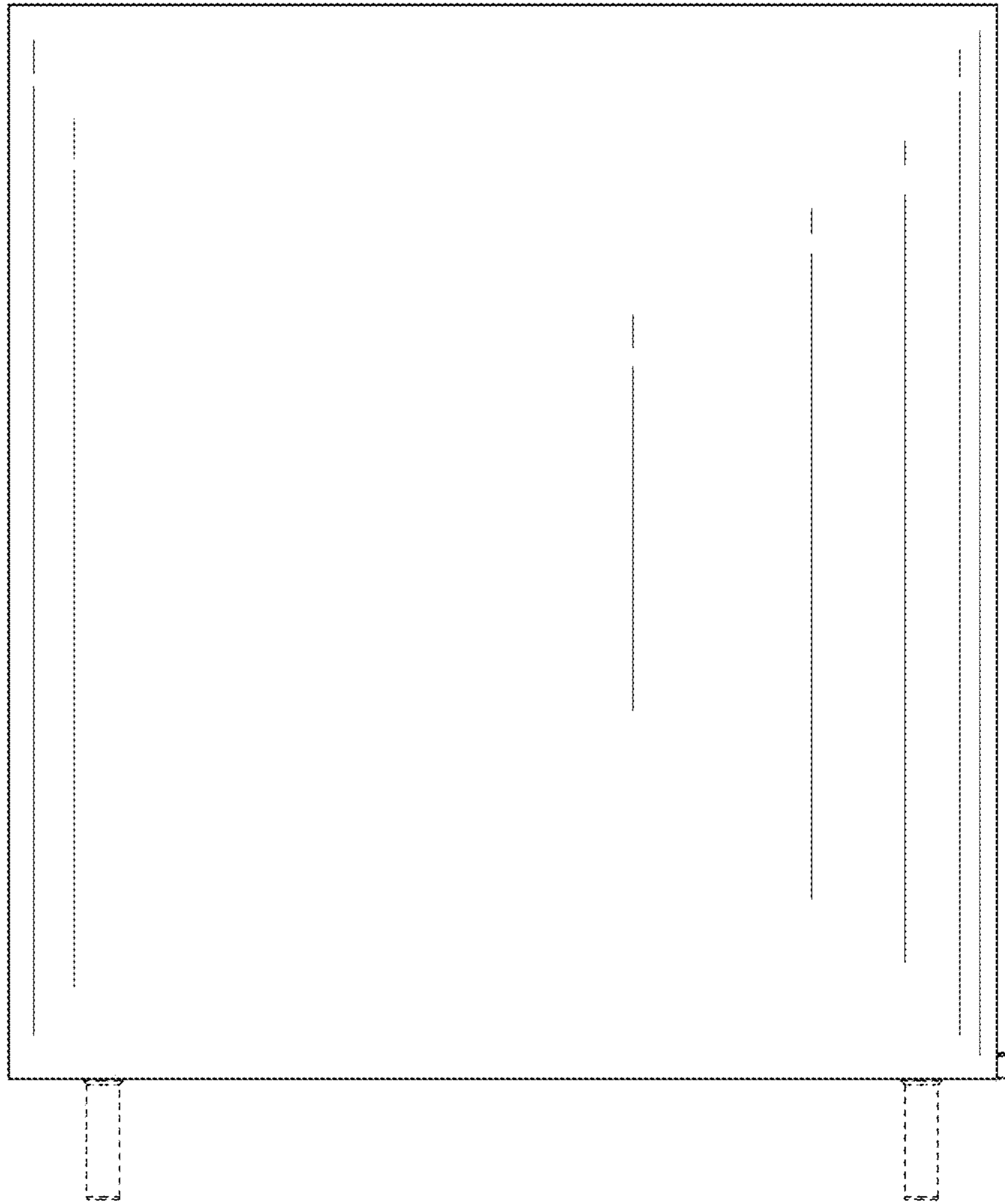


FIG. 4

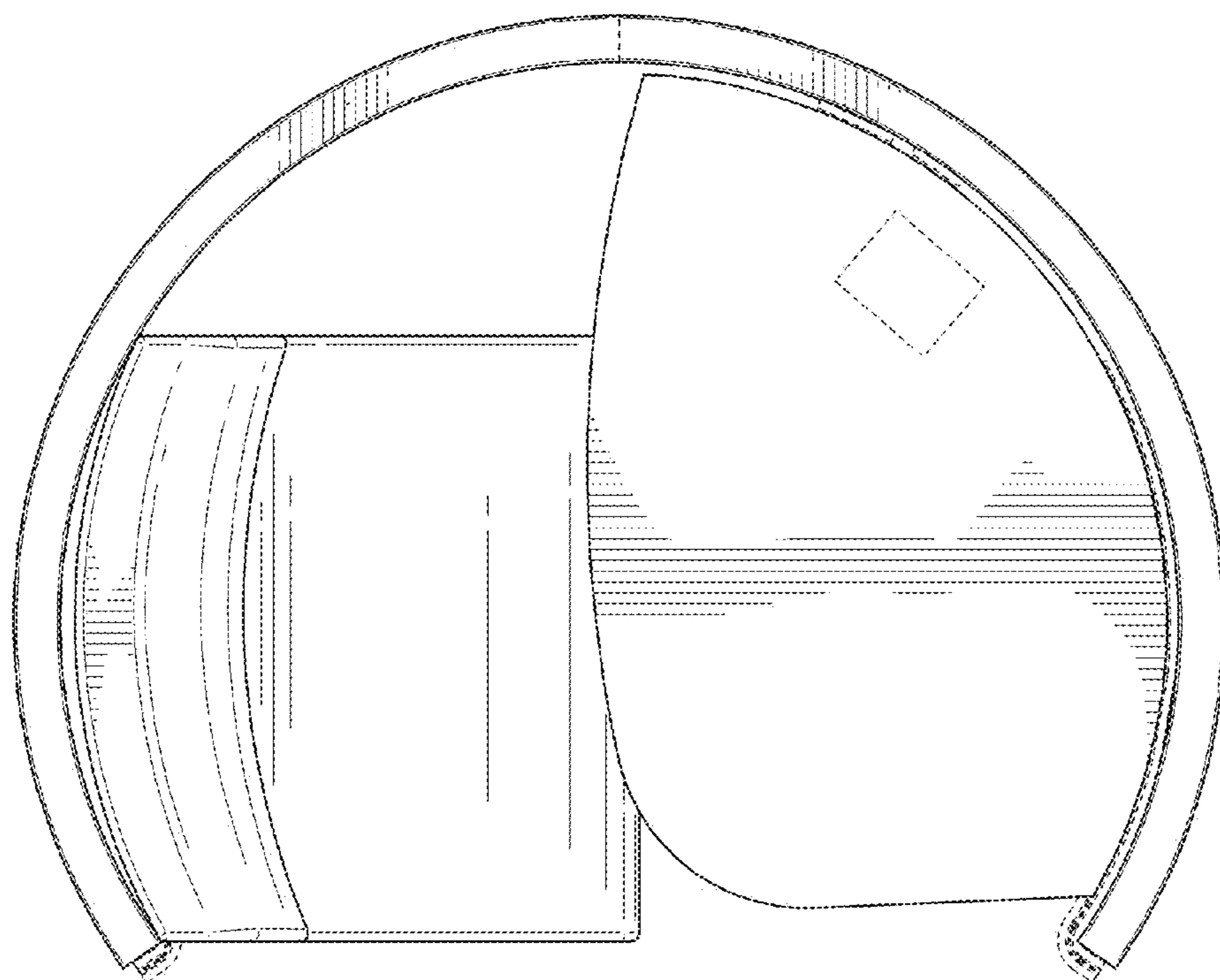


FIG. 5

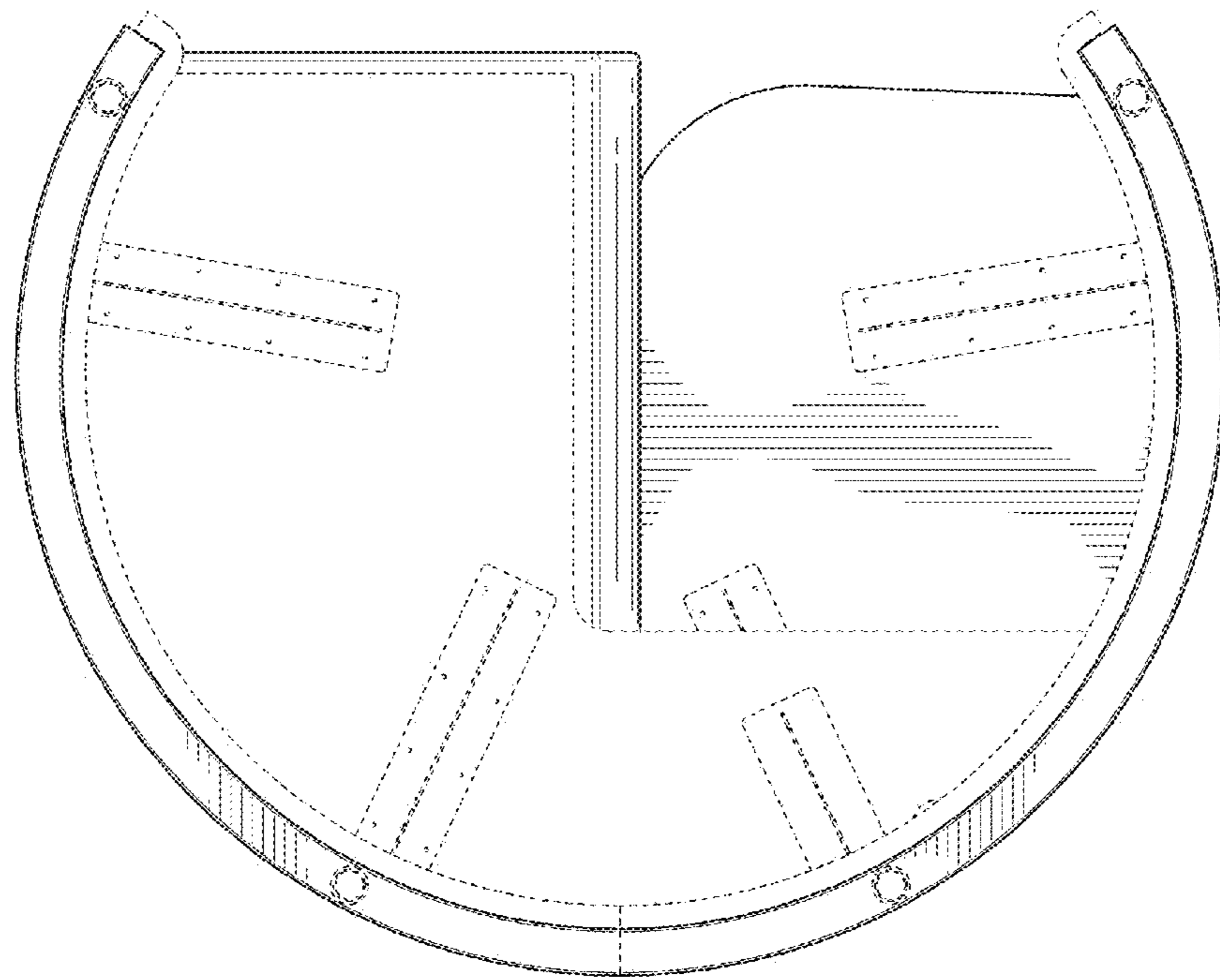
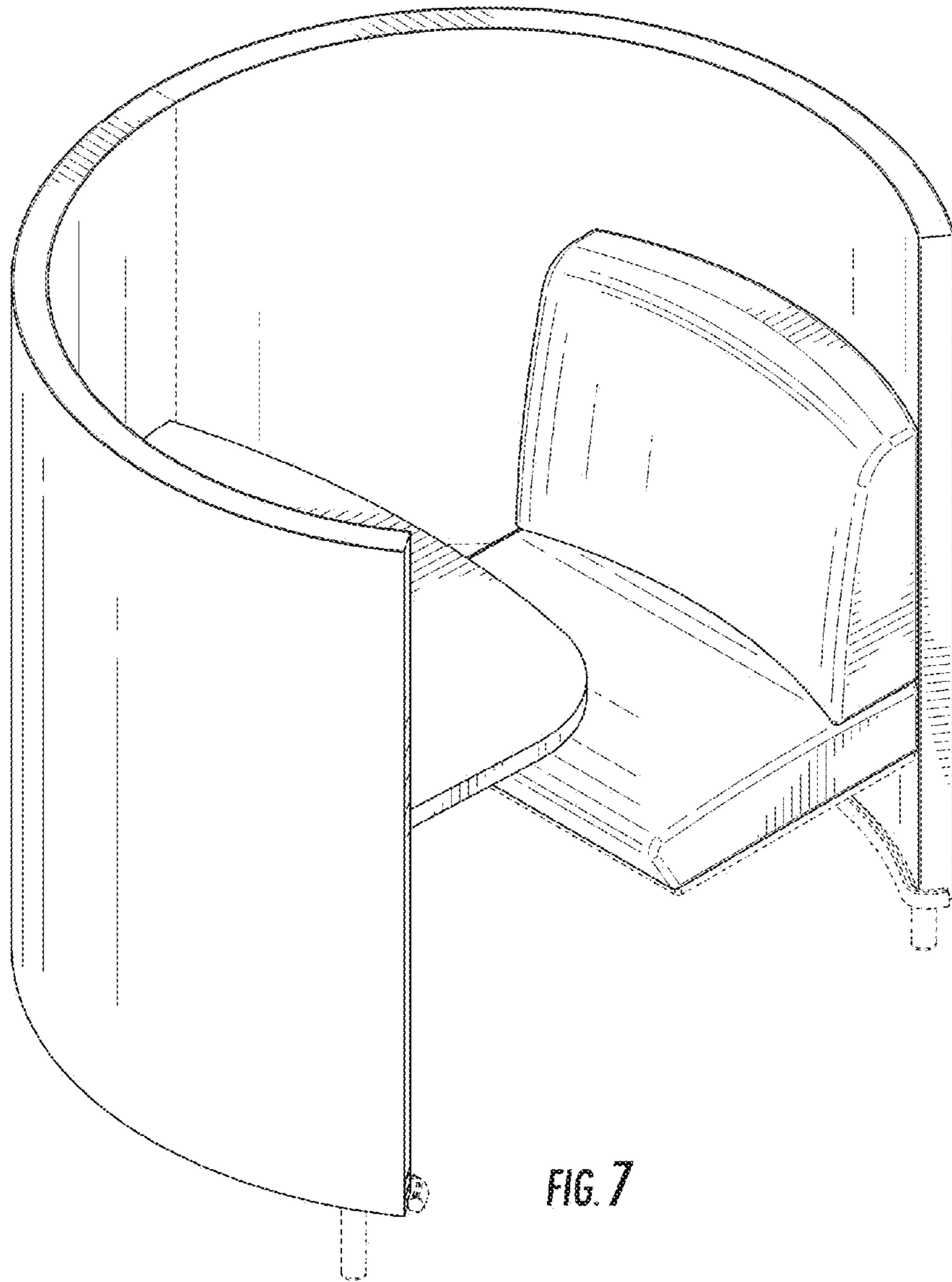


FIG. 6



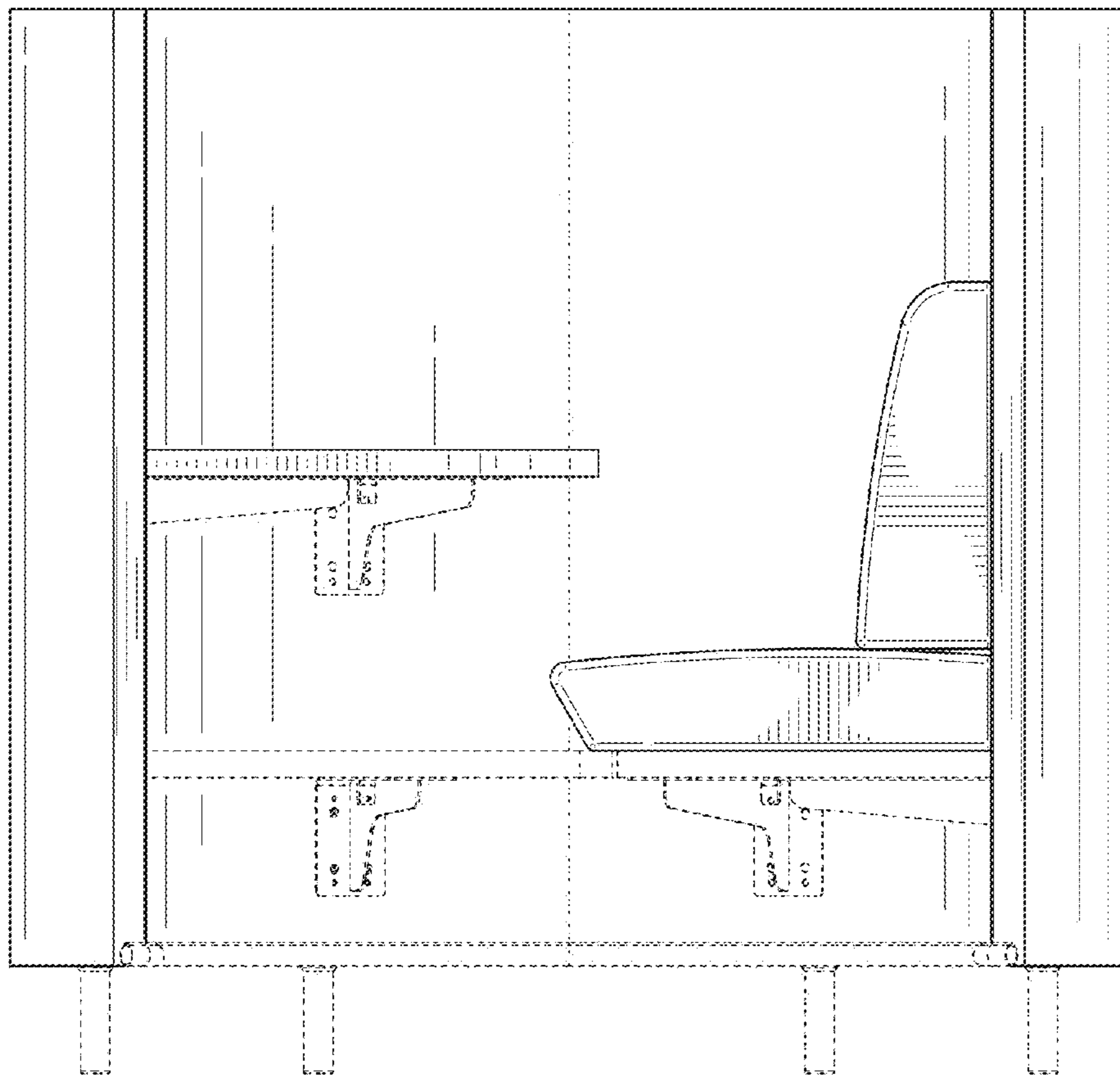


FIG. 8

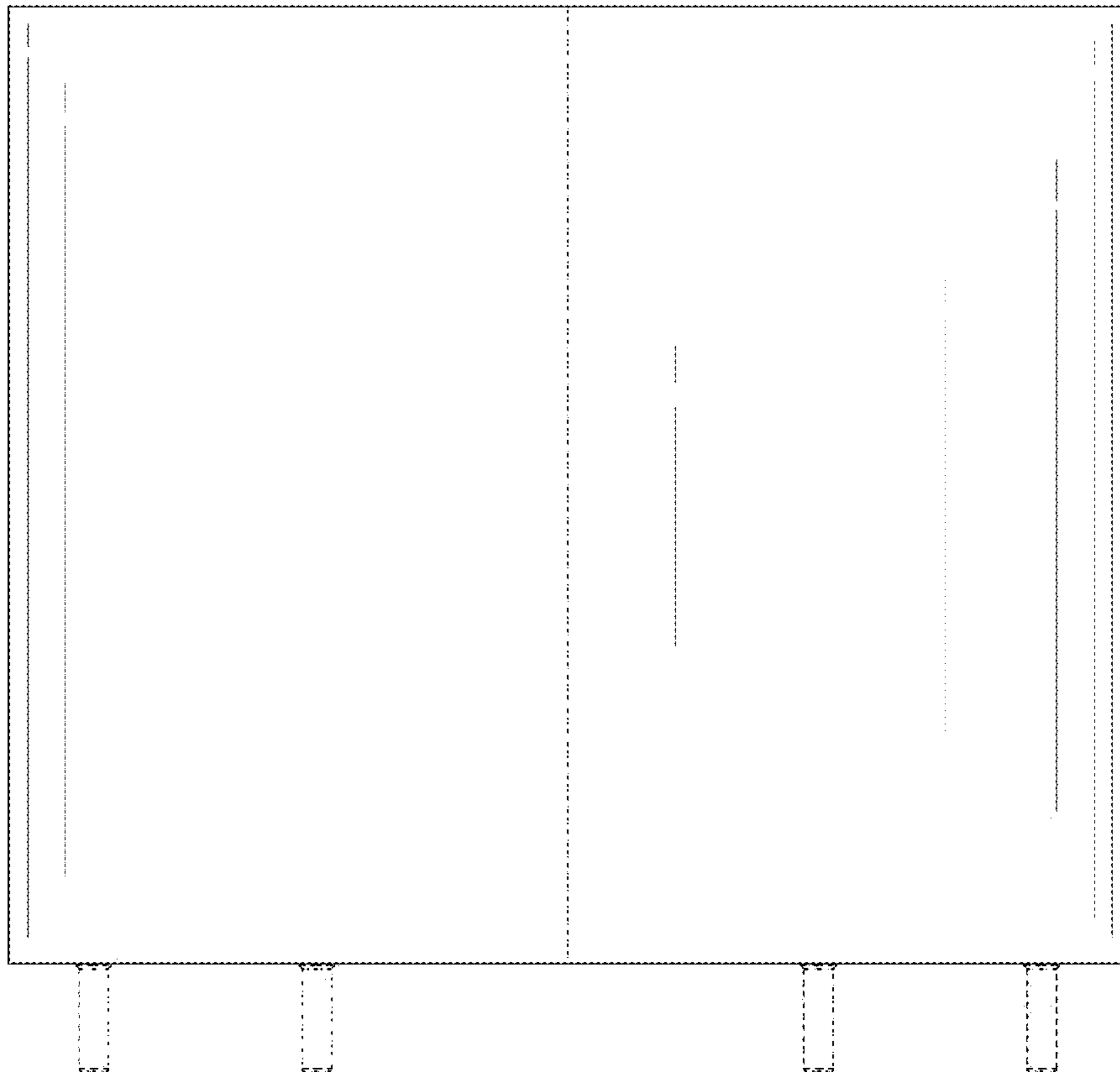


FIG. 9

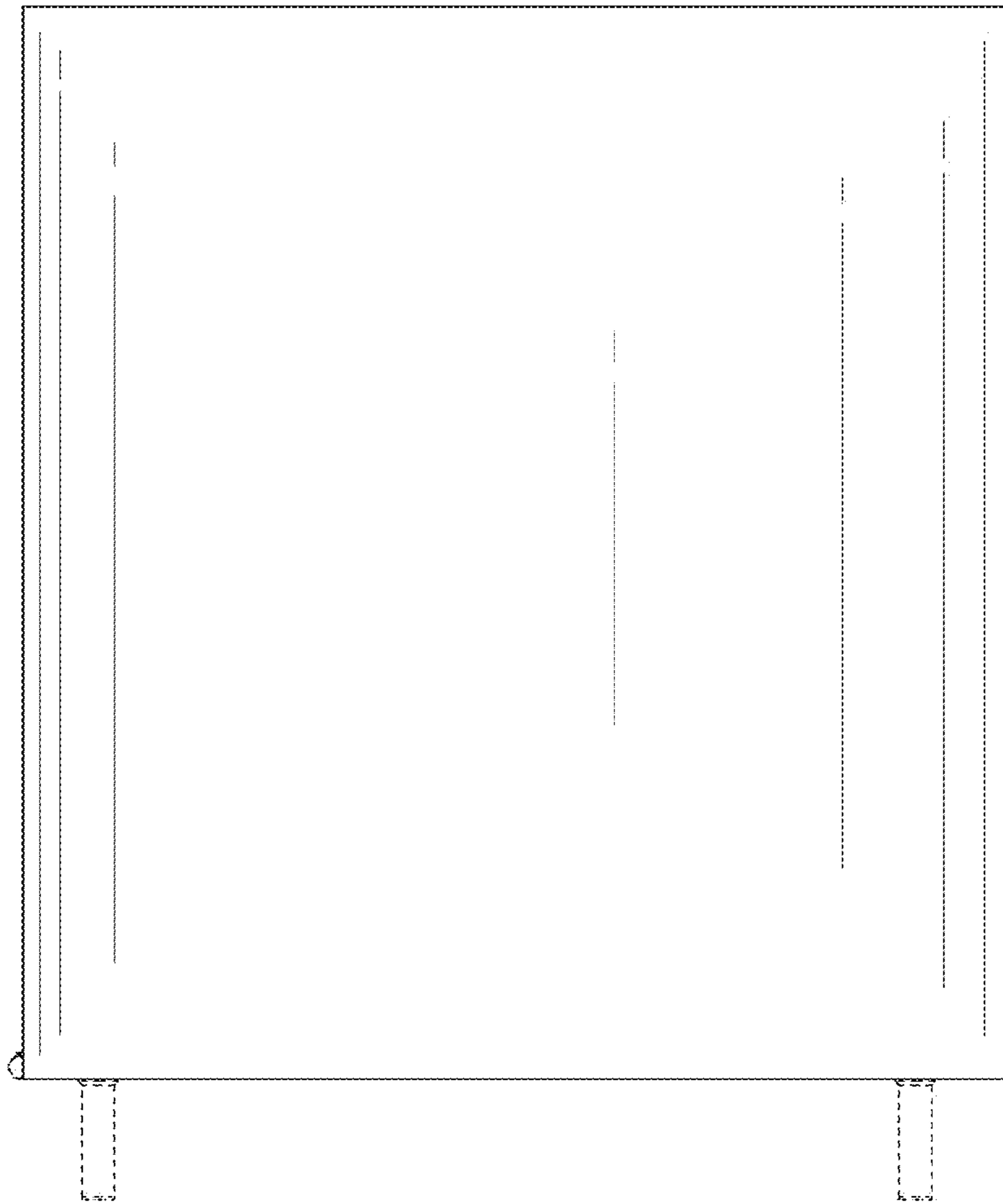


FIG. 10

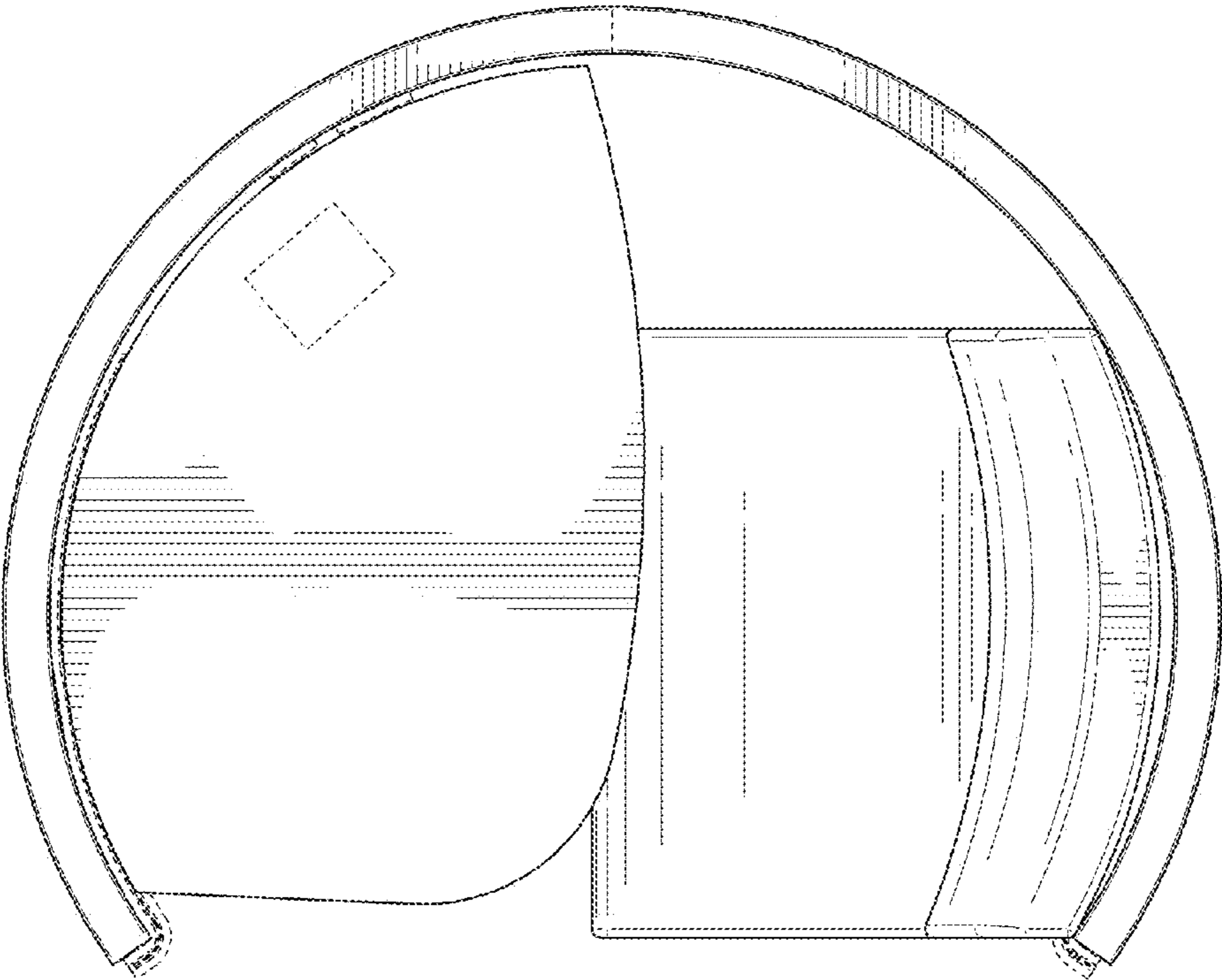


FIG. 11

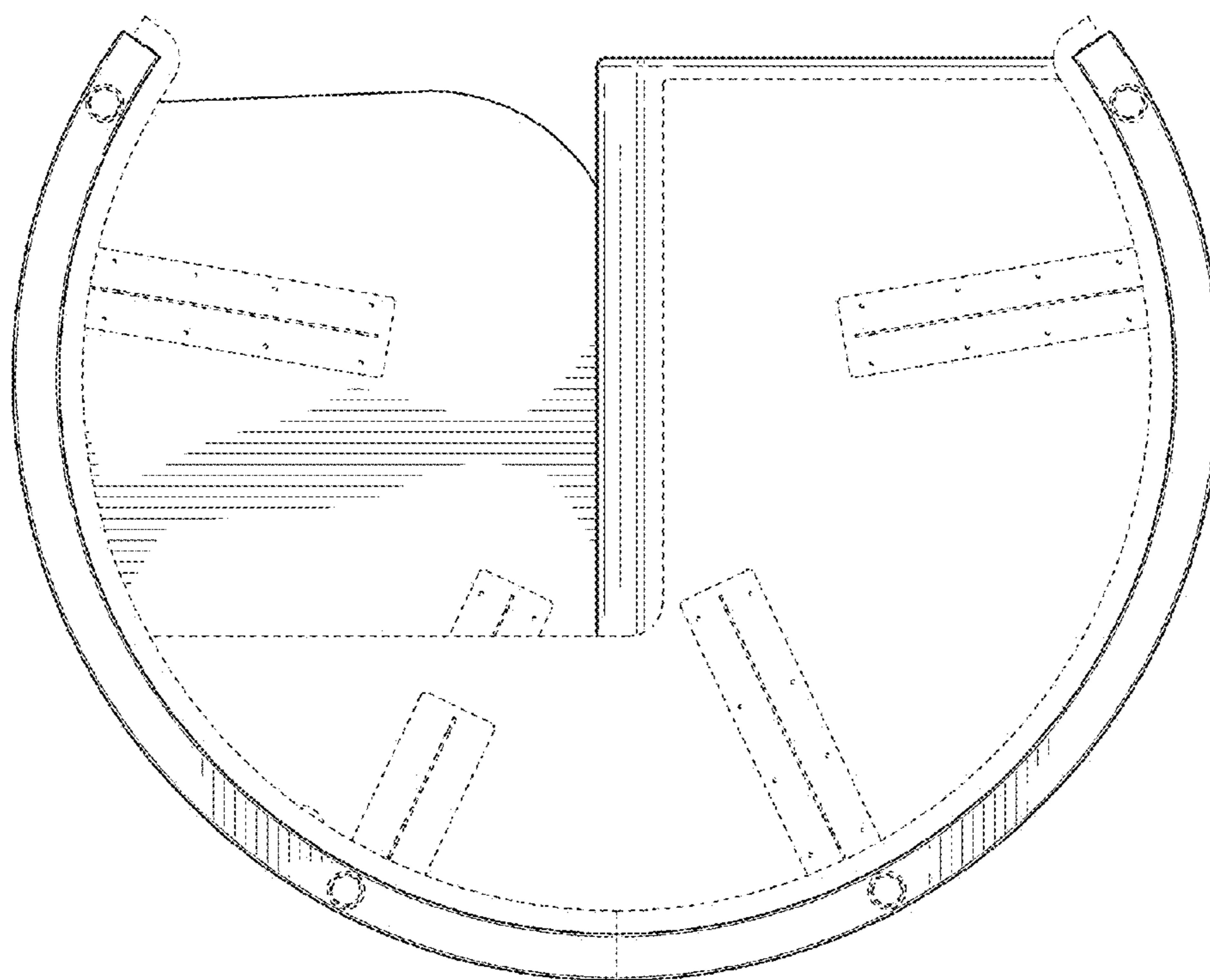


FIG. 12