

US00D761574S

(12) **United States Design Patent**  
**Gullo**

(10) **Patent No.:** **US D761,574 S**  
(45) **Date of Patent:** **\*\* Jul. 19, 2016**

(54) **WALKING STICK WHICH CONVERTS INTO A SEAT**

(71) Applicant: **Paolo Gullo**, Sheffield (GB)

(72) Inventor: **Paolo Gullo**, Sheffield (GB)

(73) Assignee: **Paolo Gullo** (GB)

(\*\*) Term: **14 Years**

(21) Appl. No.: **29/481,335**

(22) Filed: **Feb. 4, 2014**

(30) **Foreign Application Priority Data**

Aug. 9, 2013 (GB) ..... 4031403

(51) **LOC (10) Cl.** ..... **06-01**

(52) **U.S. Cl.**  
USPC ..... **D6/335**

(58) **Field of Classification Search**  
USPC ..... D6/334, 335, 336, 379, 381, 369, 349,  
D6/370, 337, 338, 685, 686, 687, 688,  
D6/688.24; 297/94, 118, 232, 445.1,  
297/448.1, DIG. 7, 56, 195.11, 217.1;  
D34/14, 23, 24, 25, 26; 248/164, 165,  
248/166, 431; 135/66

CPC ..... A47C 17/00; A47C 17/02; A47C 17/12;  
A47C 17/18; B62B 1/26; B62B 5/08; B62B  
5/082; B62B 2202/12

See application file for complete search history.

(56) **References Cited**

**U.S. PATENT DOCUMENTS**

2,002,118 A \* 5/1935 Johnson ..... A45B 5/00  
297/118  
2,542,040 A \* 2/1951 MacLellan ..... A47C 9/105  
108/119  
2,649,140 A \* 8/1953 Housel ..... A45B 5/00  
248/431  
3,310,310 A \* 3/1967 McKee ..... A63B 69/3697  
473/153  
D251,098 S \* 2/1979 Diedrich ..... D6/354

D284,429 S \* 7/1986 Garde ..... D6/335  
D338,345 S \* 8/1993 Camp ..... D6/335  
D396,569 S \* 8/1998 Chen ..... D6/335  
D400,724 S \* 11/1998 Richter ..... D6/335  
D474,041 S \* 5/2003 Howard ..... D6/363  
D714,579 S \* 10/2014 Sutton ..... D6/349  
8,876,203 B1 \* 11/2014 Haertl ..... A47C 4/04  
297/118  
2012/0048317 A1 \* 3/2012 Chiang ..... A45B 3/00  
135/66  
2014/0034097 A1 \* 2/2014 Pao ..... A45B 5/00  
135/66  
2014/0034098 A1 \* 2/2014 Pao ..... A45B 5/00  
135/66  
2014/0060598 A1 \* 3/2014 Pao ..... A47C 4/04  
135/66

\* cited by examiner

*Primary Examiner* — Sandra Snapp

(74) *Attorney, Agent, or Firm* — Westman, Champlin & Koehler; Z. Peter Sawicki; Amanda M. Prose

(57) **CLAIM**

The ornamental design for a walking stick which converts into a seat, as shown and described.

**DESCRIPTION**

FIG. 1 is a side view of a walking stick which converts into a seat shown in a closed position.

FIG. 2 is a rear view of a walking stick which converts into a seat shown in a closed position.

FIG. 3 is a top view of a walking stick which converts into a seat shown in a closed position.

FIG. 4 is a side view of a walking stick which converts into a seat shown partially extended.

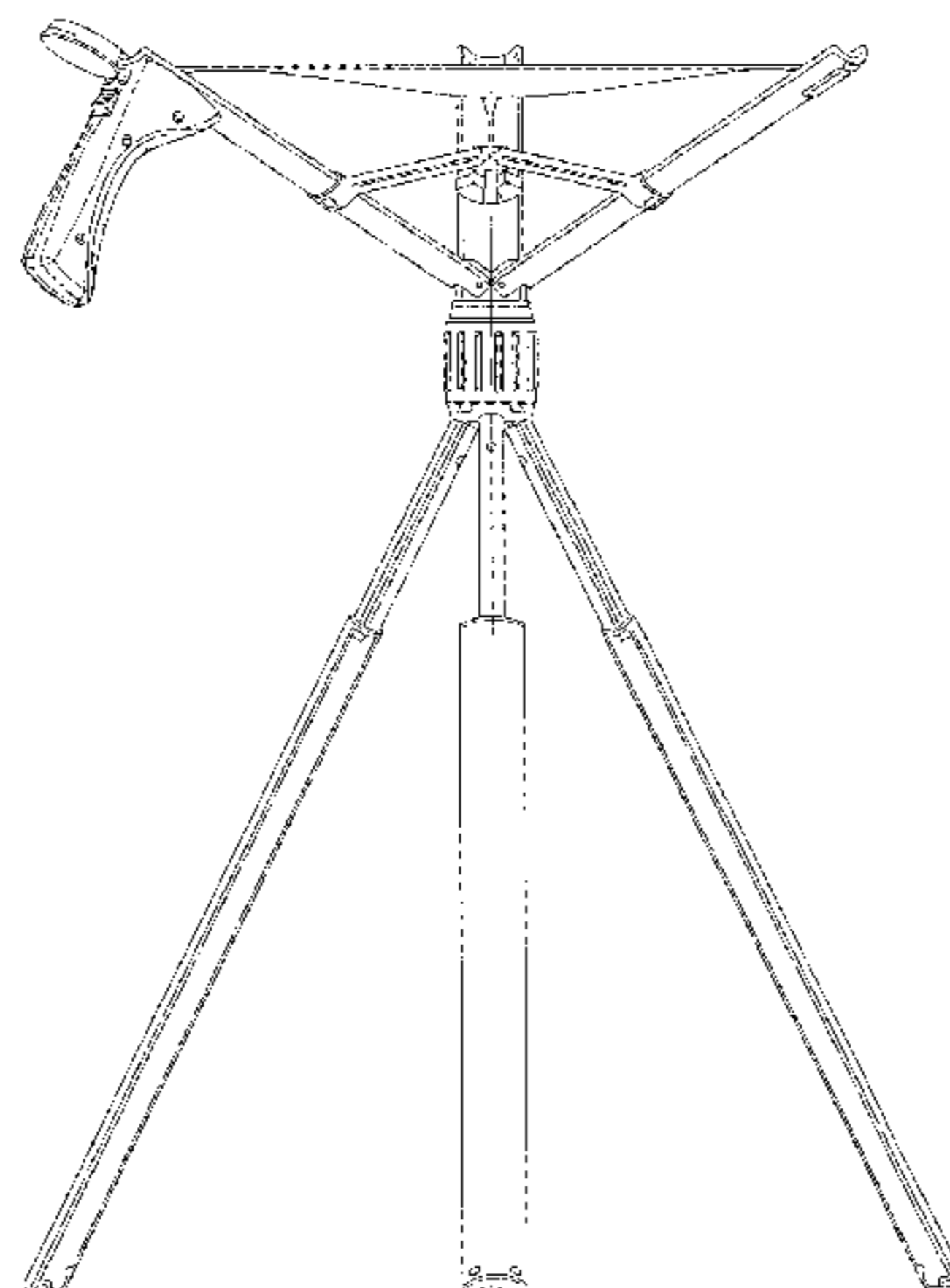
FIG. 5 is a side view of a walking stick which converts into a seat shown fully extended.

FIG. 6 is a side view of a walking stick which converts into a seat shown in a seating position; and,

FIG. 7 is a top view of a walking stick which converts into a seat shown in a seating position.

The left and right sides of the walking stick are mirror images. The bottom view of the legs of the walking stick is not visible during normal use and therefore this view is not shown.

**1 Claim, 7 Drawing Sheets**



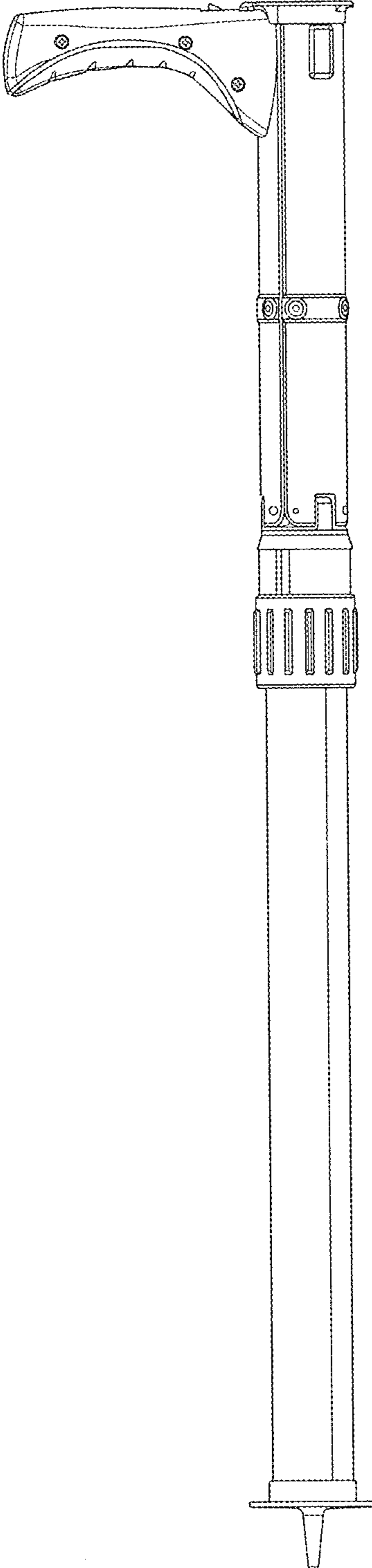


FIG. 1

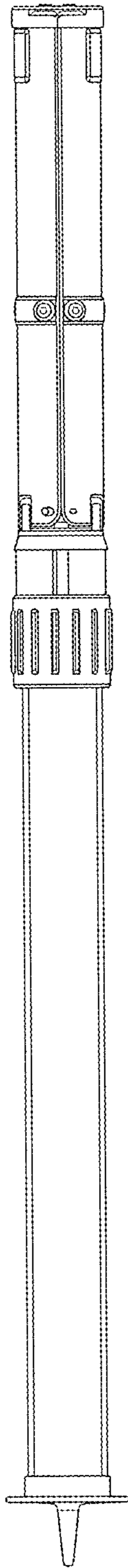


FIG. 2

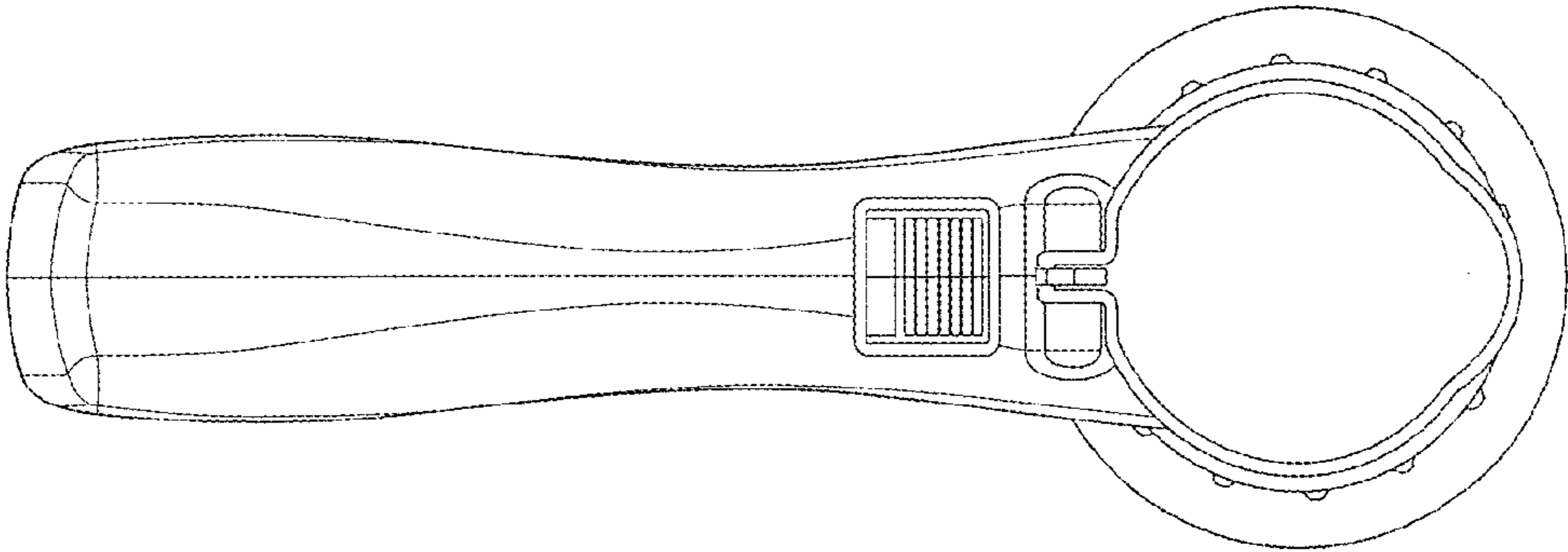


FIG. 3

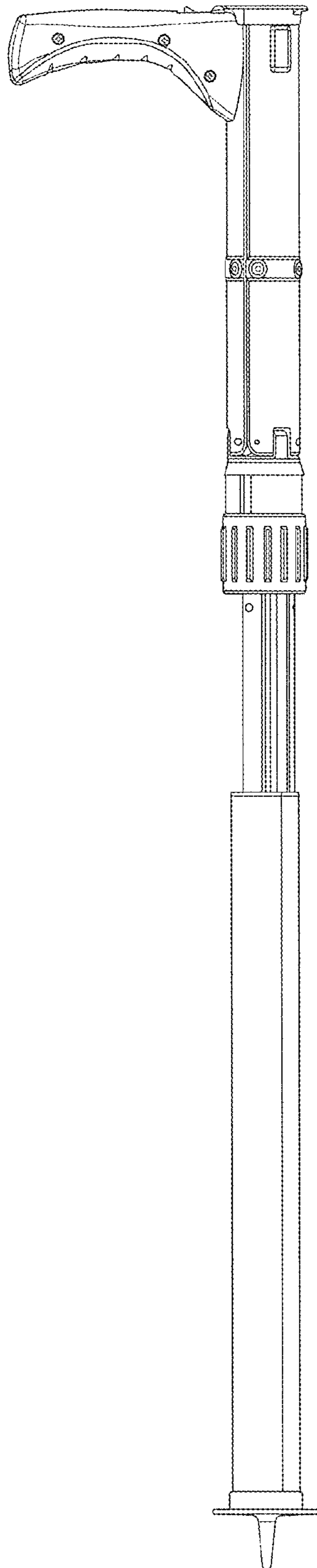


FIG. 4

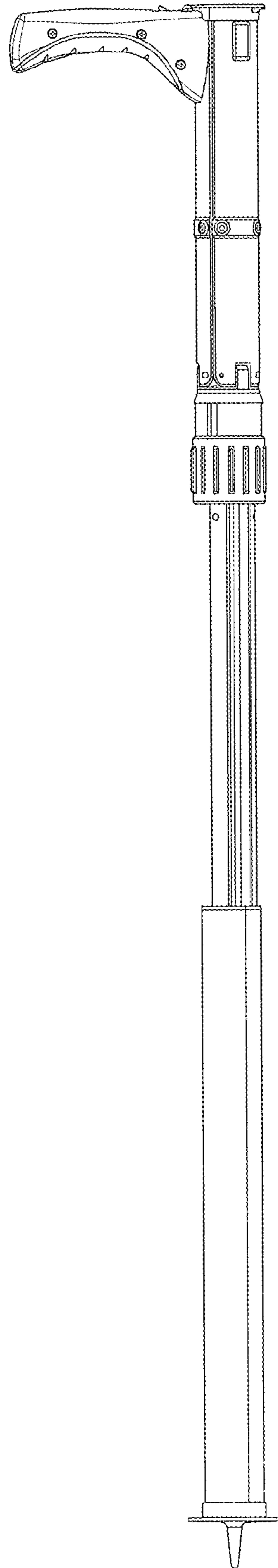


FIG. 5

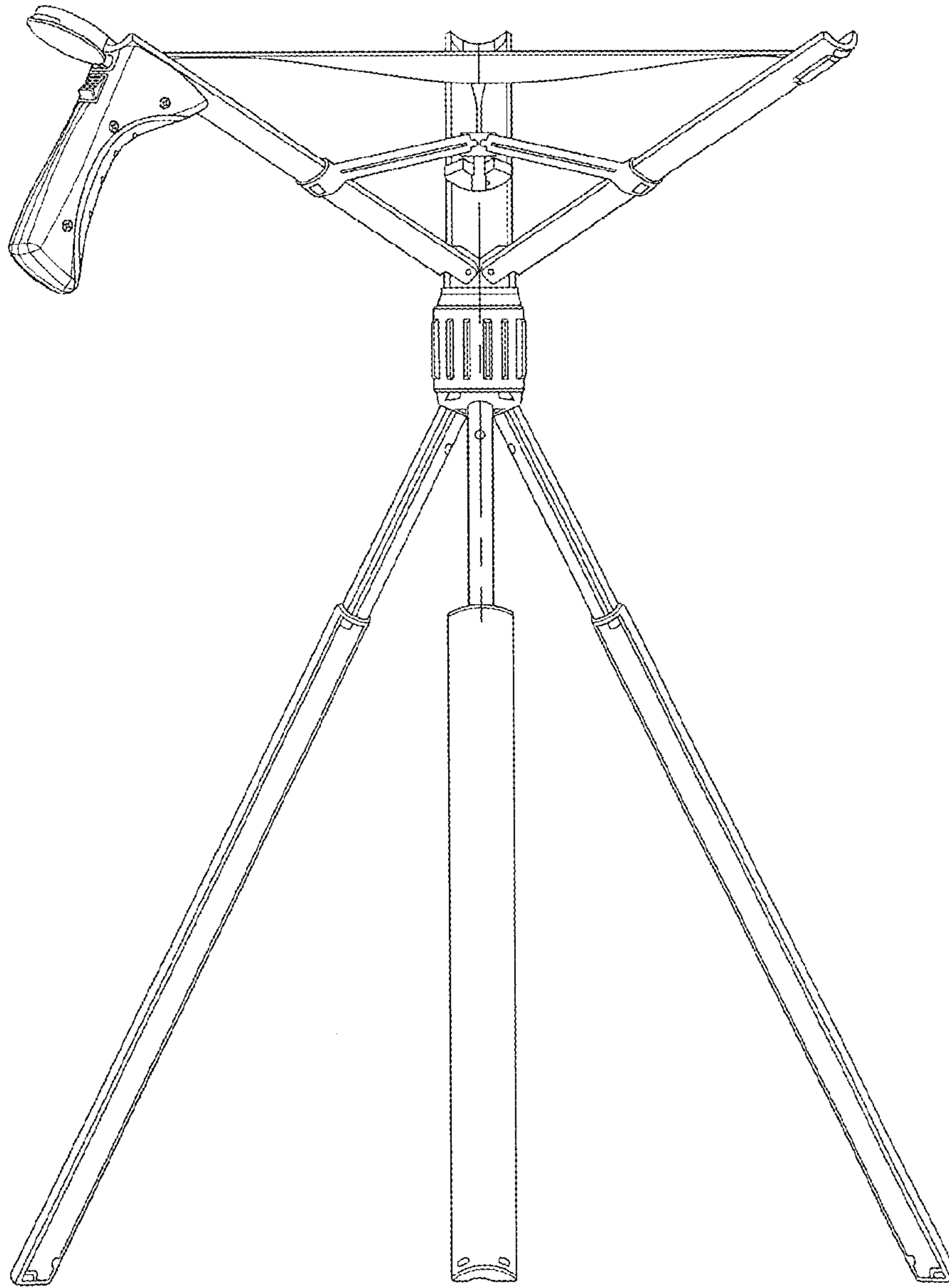


FIG. 6

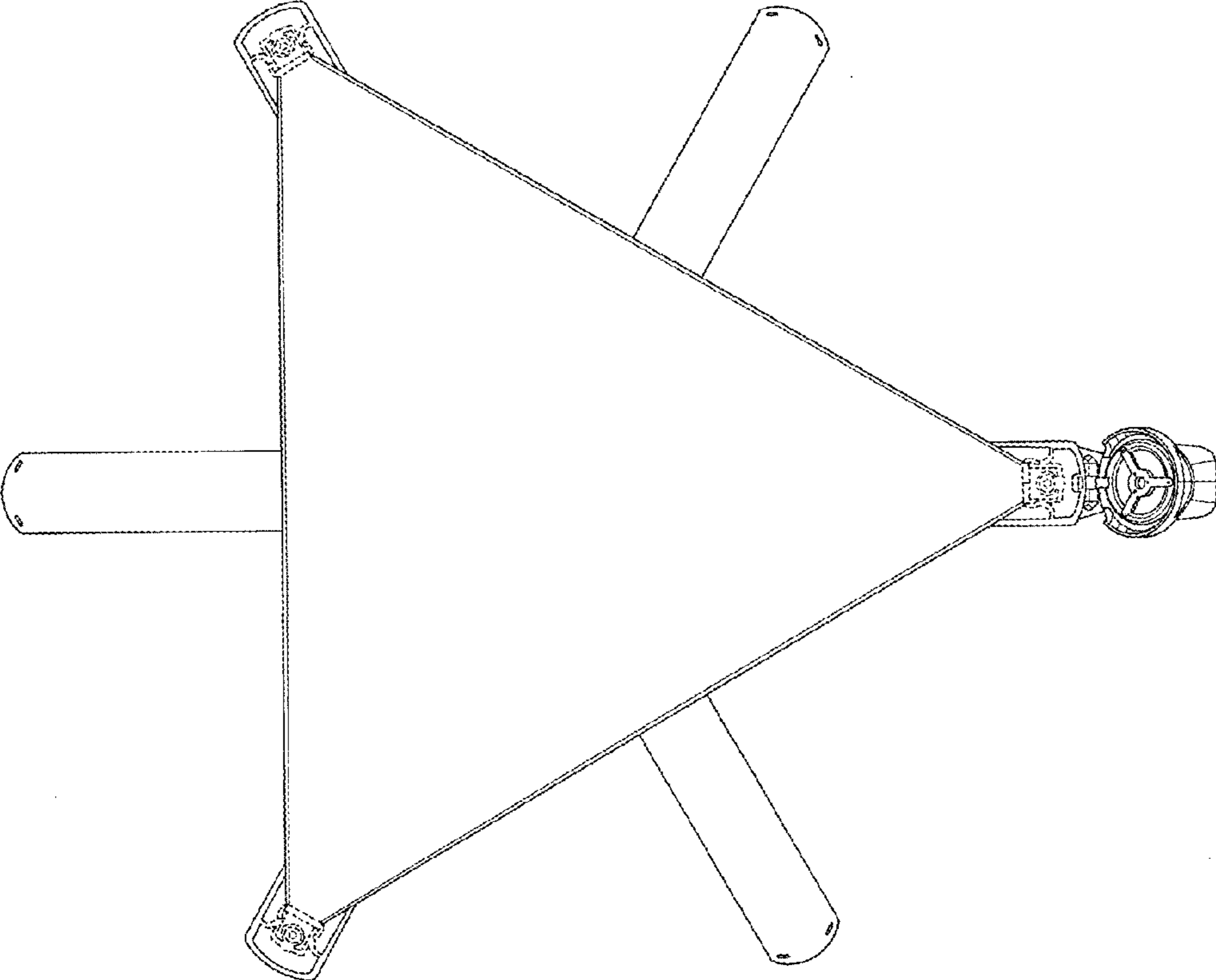


FIG. 7