



US00D761565S

(12) **United States Design Patent**
Tan

(10) **Patent No.:** **US D761,565 S**
(45) **Date of Patent:** **** Jul. 19, 2016**

(54) **LUGGAGE WHEEL HOUSING WITH A WHEEL**

(71) Applicant: **Traveler's Choice**, Pomona, CA (US)

(72) Inventor: **Roger Tan**, Chino, CA (US)

(73) Assignee: **Traveler's Choice**, Pomona, CA (US)

(**) Term: **14 Years**

(21) Appl. No.: **29/510,384**

(22) Filed: **Nov. 26, 2014**

(51) **LOC (10) CL.** **03-01**

(52) **U.S. Cl.**
USPC **D3/318**

(58) **Field of Classification Search**
USPC D3/201, 272, 273, 315, 318, 319, 322;
D9/434, 654, 679, 717, 718;
150/101-105, 154, 159
CPC A45F 3/04; A45F 3/42; A45F 3/00;
A45F 3/005; A45C 5/02; A45C 5/04; A45C
5/14; A45C 11/00; A45C 2005/142
See application file for complete search history.

(56) **References Cited**

U.S. PATENT DOCUMENTS

6,193,324	B1 *	2/2001	Chang	A45C 5/14 190/18 A
6,322,156	B1 *	11/2001	Kuo	A45C 5/14 190/18 A
D487,348	S *	3/2004	Fenton	D3/318
D498,053	S *	11/2004	Nordstrom	D3/318
D541,047	S *	4/2007	Moon	D3/318
D557,900	S *	12/2007	Sijmons	D3/318
D698,153	S *	1/2014	Santy	D3/318
D703,442	S *	4/2014	Parker	D3/318
D718,938	S *	12/2014	Parker	D3/318
D721,497	S *	1/2015	Parker	D3/318

D721,501	S *	1/2015	Parker	D3/318
D732,293	S *	6/2015	Parker	D3/318
D741,599	S *	10/2015	Parker	D3/318
2006/0277715	A1 *	12/2006	Lin	A45C 5/14 16/22
2014/0283335	A1 *	9/2014	Meersschaert	A45C 5/14 16/46
2015/0113766	A1 *	4/2015	Hou	A45C 5/14 16/45
2015/0150347	A1 *	6/2015	Scicluna	A45C 13/00 190/18 A

* cited by examiner

Primary Examiner — Rosemary K Tarcza

Assistant Examiner — Christy Nemeth

(57) **CLAIM**

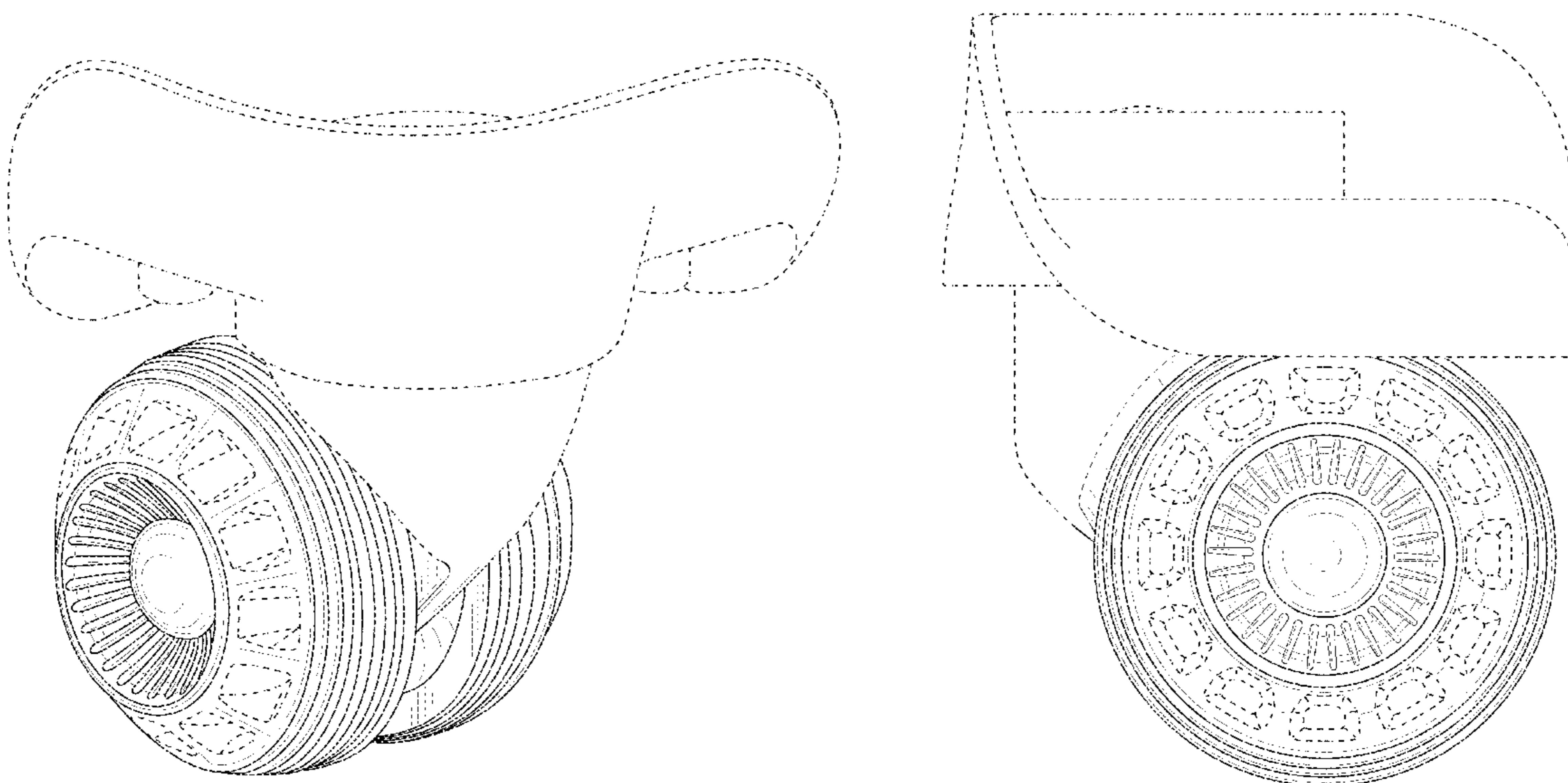
The ornamental design for a luggage wheel housing with a wheel, as shown and described.

DESCRIPTION

FIG. 1 shows a front perspective view of a luggage wheel housing with a wheel;
 FIG. 2 shows a front elevational view of the luggage wheel housing with a wheel of FIG. 1;
 FIG. 3 shows a rear elevational view of the luggage wheel housing with a wheel of FIG. 1;
 FIG. 4 shows a right side elevational view of the luggage wheel housing with a wheel of FIG. 1;
 FIG. 5 shows a left side elevational view of the luggage wheel housing with a wheel of FIG. 1;
 FIG. 6 shows a top plan view of the luggage wheel housing with a wheel of FIG. 1; and,
 FIG. 7 shows a bottom plan view of the luggage wheel housing with a wheel of FIG. 1.

The broken lines in the drawings are for the purpose of illustrating unclaimed portions of the luggage wheel housing with a wheel and form no part of the claimed design.

1 Claim, 7 Drawing Sheets



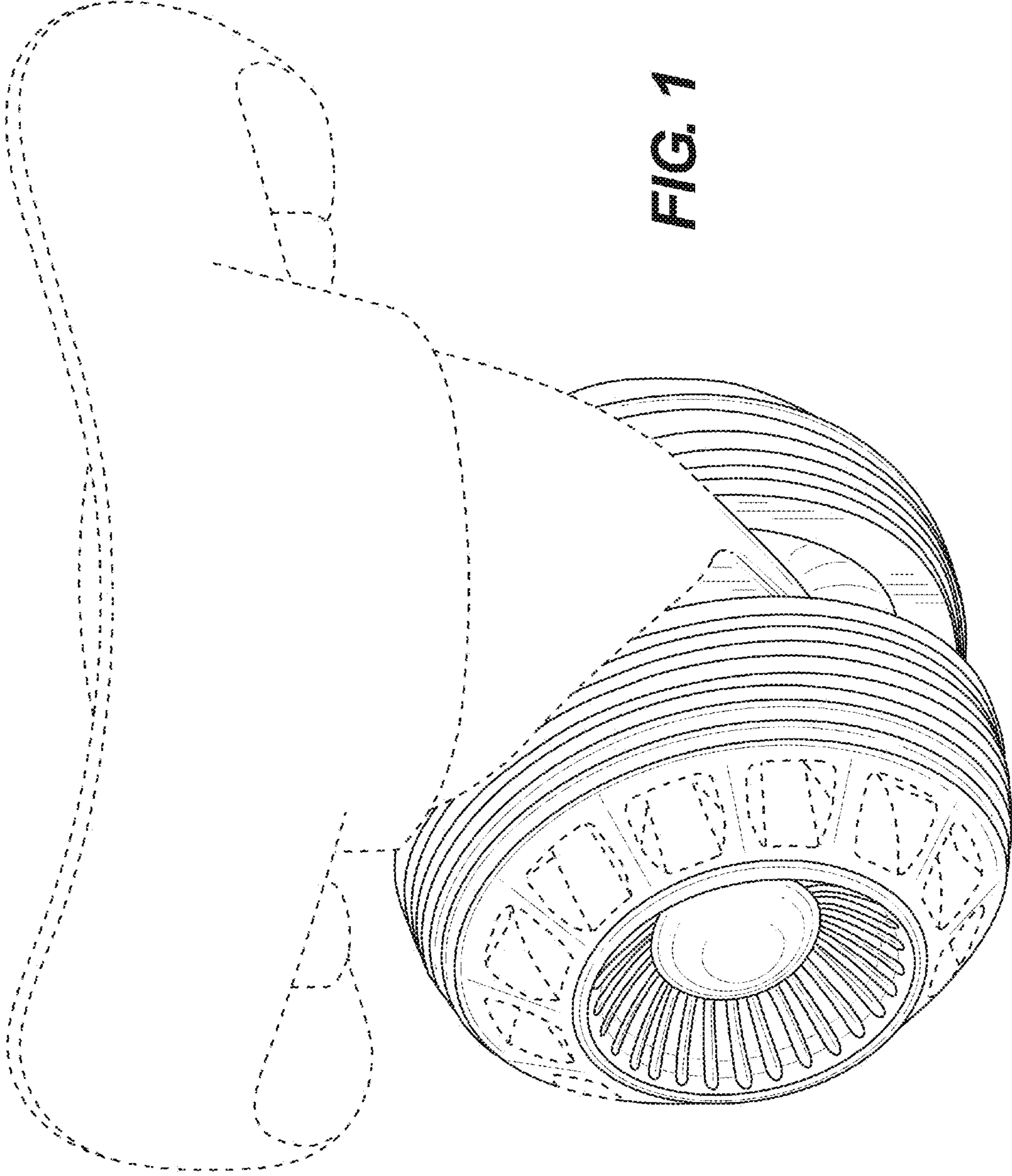


FIG. 1

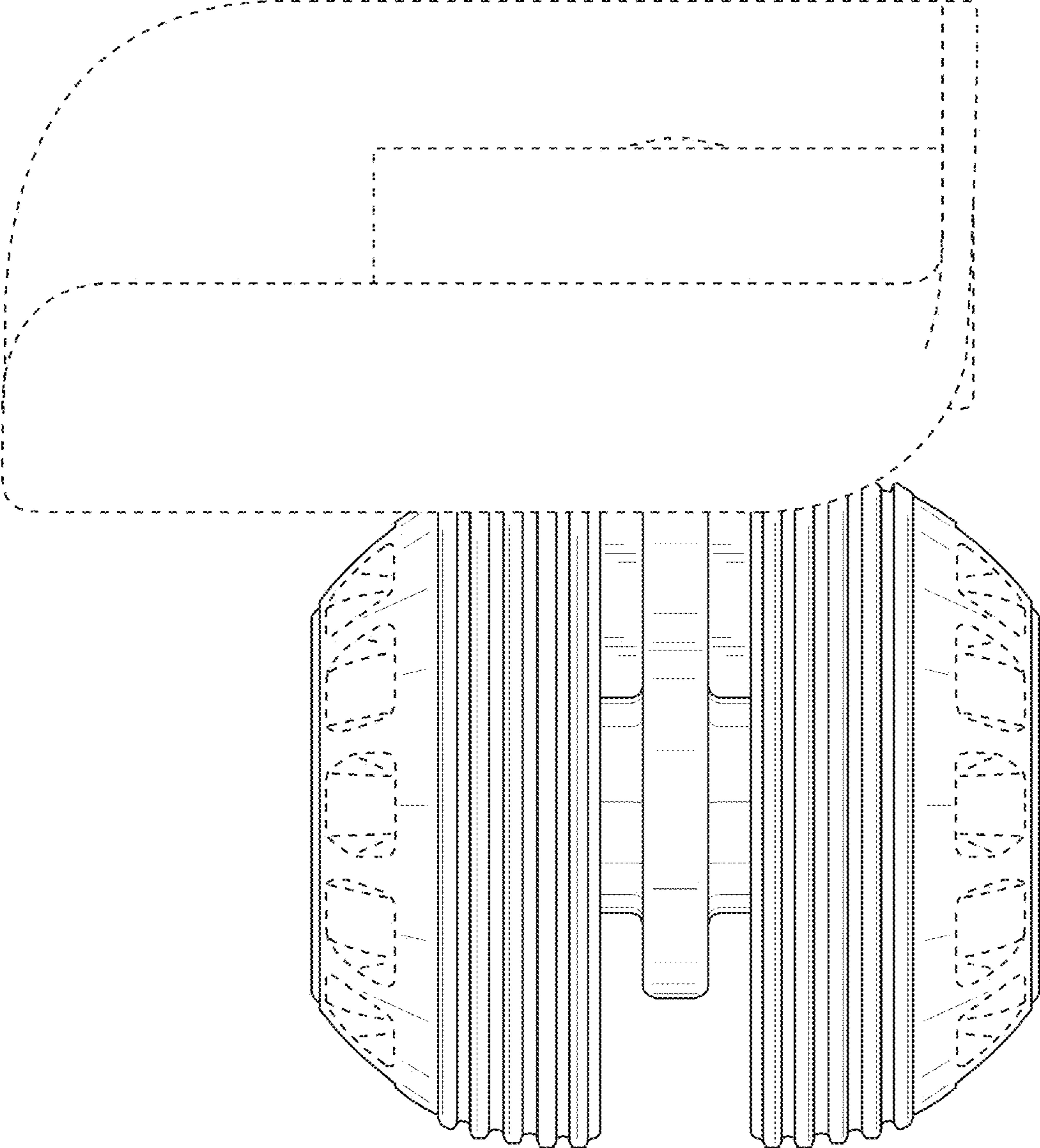


FIG. 2

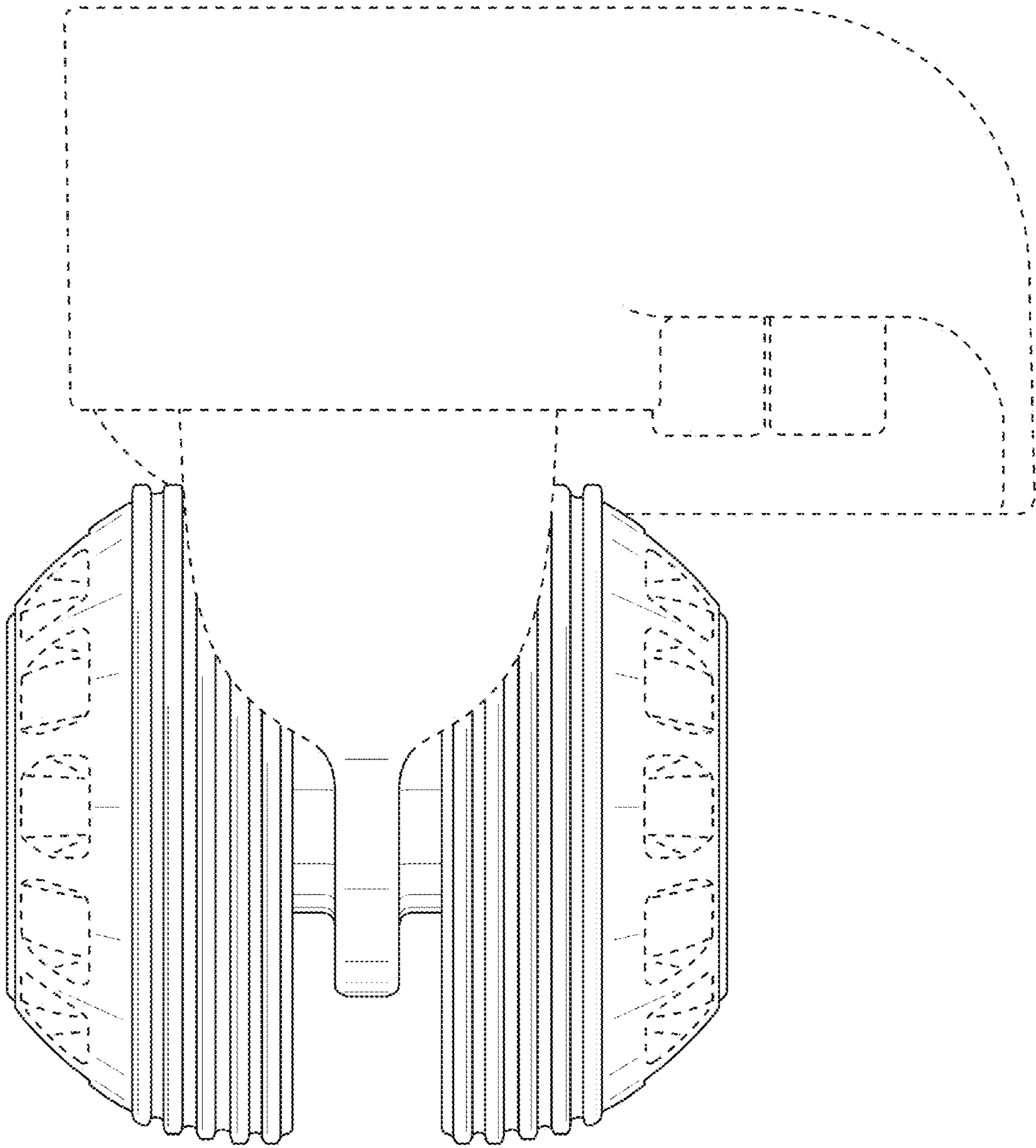


FIG. 3

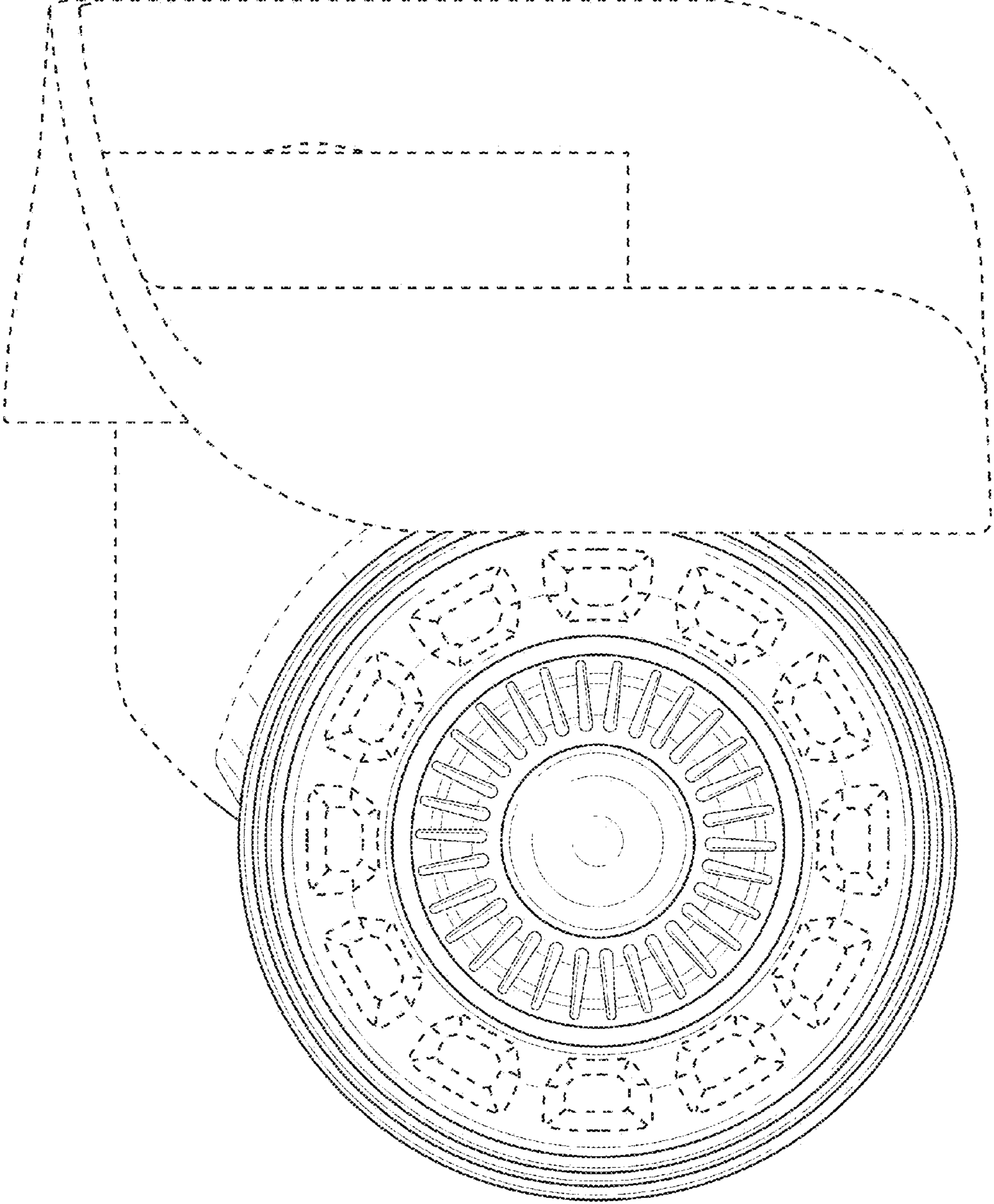


FIG. 4

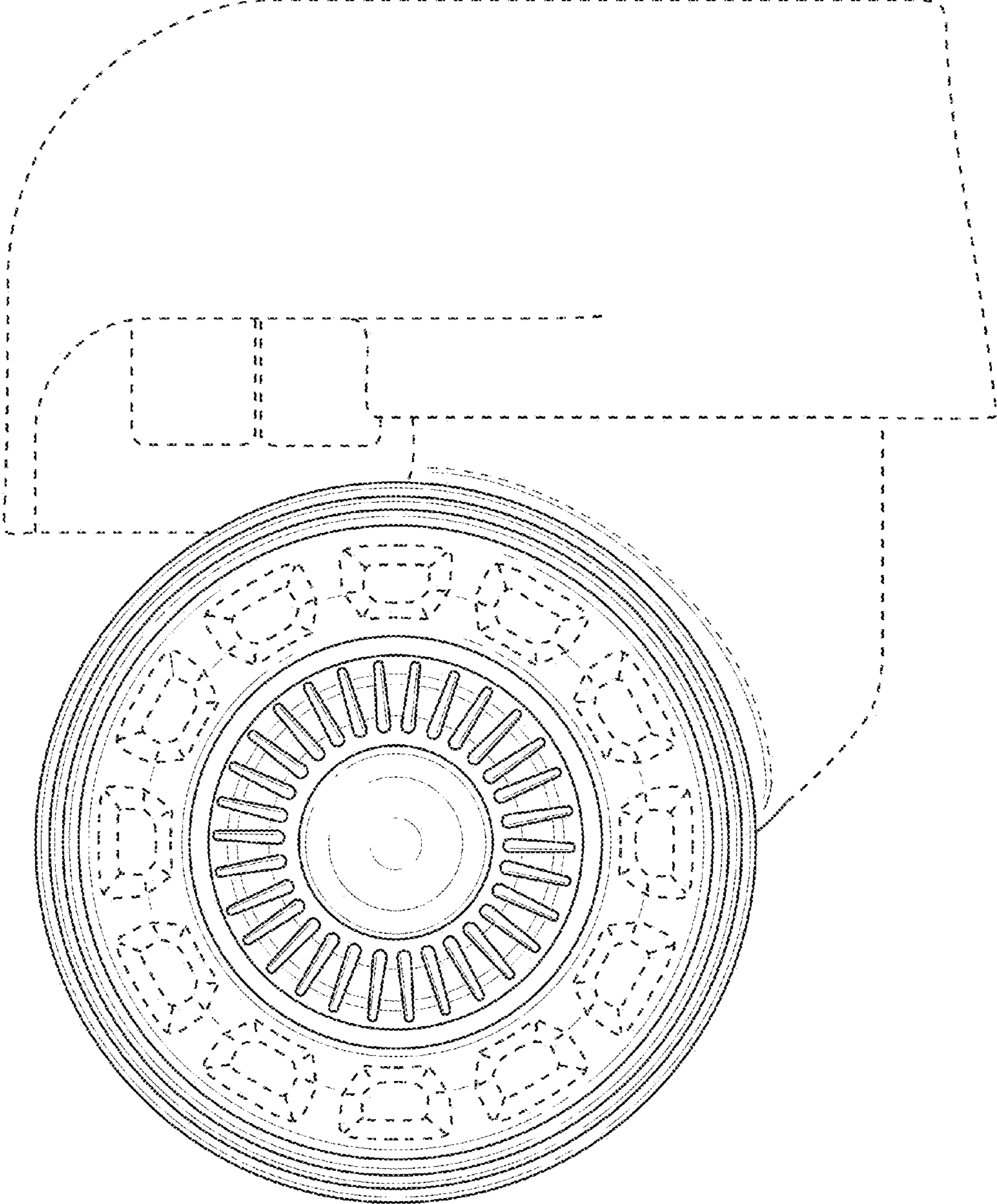


FIG. 5

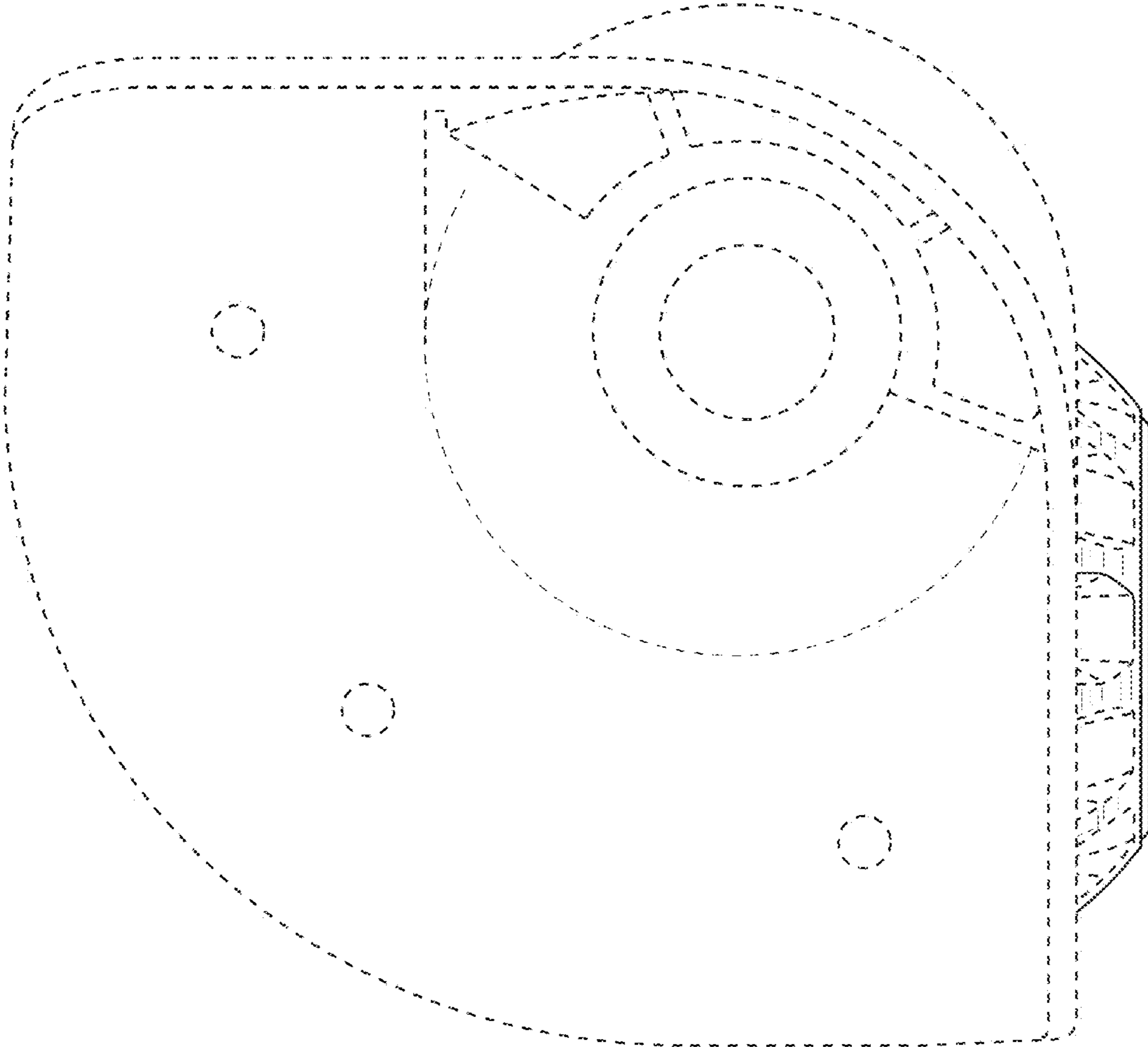


FIG. 6

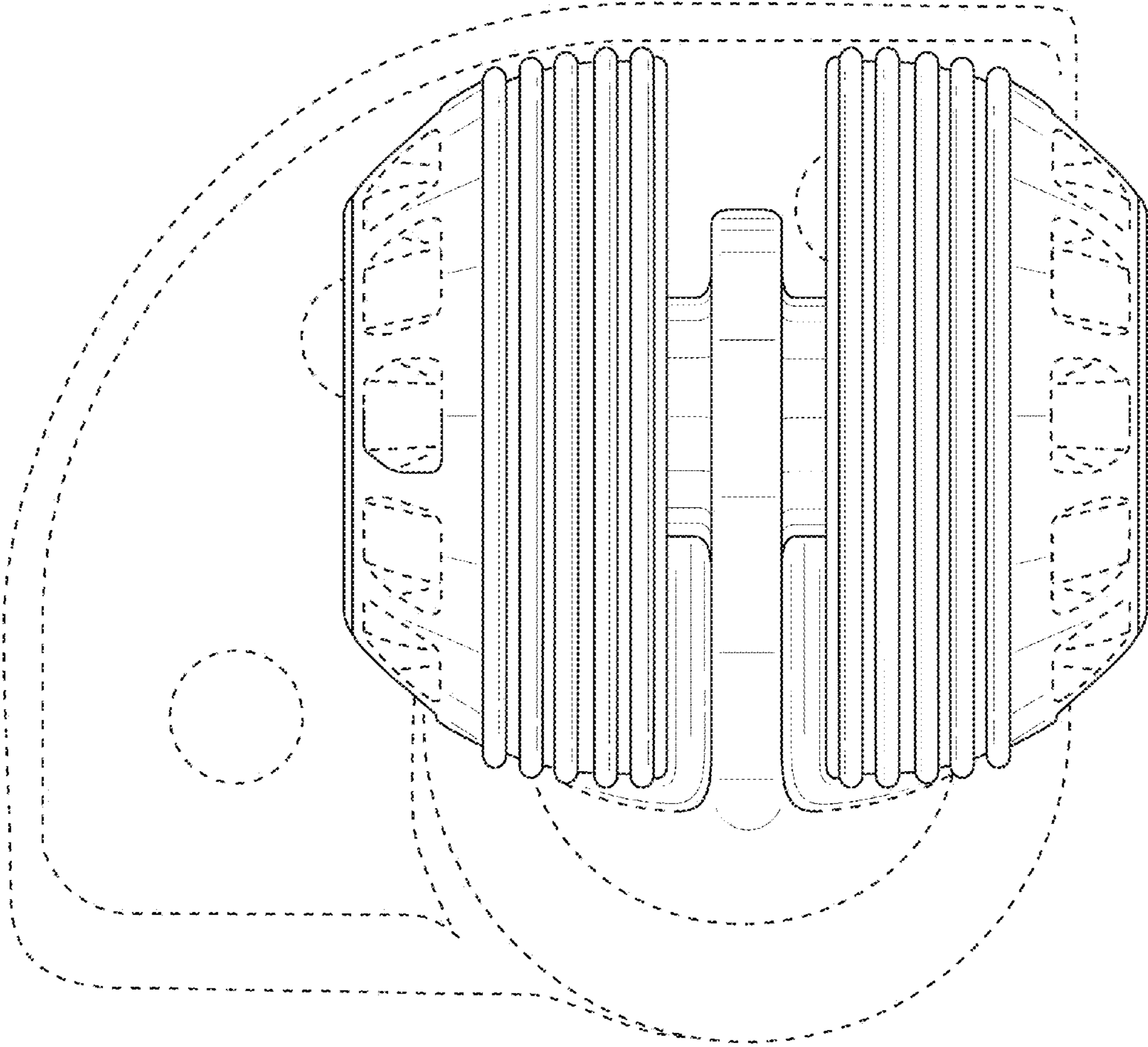


FIG. 7