



US00D761564S

(12) **United States Design Patent**  
**Rhodes**

(10) **Patent No.:** **US D761,564 S**

(45) **Date of Patent:** **\*\* Jul. 19, 2016**

(54) **TRI-FOLD BRIEFCASE**  
(71) Applicant: **James Gordon Rhodes**, Fort Worth, TX  
(US)  
(72) Inventor: **James Gordon Rhodes**, Fort Worth, TX  
(US)

D674,606 S \* 1/2013 Iacchetti ..... D3/299  
D677,466 S \* 3/2013 Passavant ..... D3/290  
D678,677 S \* 3/2013 Ren'kang ..... D3/290  
8,567,578 B2 \* 10/2013 Cuong ..... A45C 3/02  
190/100  
D703,439 S \* 4/2014 Fair ..... D3/289  
D720,536 S \* 1/2015 Hsu ..... D3/299  
D737,828 S \* 9/2015 Albano ..... D14/440

(\*\*) Term: **15 Years**

\* cited by examiner

(21) Appl. No.: **29/543,503**

*Primary Examiner* — Jennifer Rivard

*Assistant Examiner* — April Rivas

(22) Filed: **Oct. 26, 2015**

(74) *Attorney, Agent, or Firm* — Polsinelli PC

(51) **LOC (10) CL.** ..... **03-01**

(52) **U.S. CL.**  
USPC ..... **D3/284**; D3/290; D3/299; D3/900;  
D3/902

(57) **CLAIM**

I claim the ornamental design for a tri-fold briefcase, as shown and described.

(58) **Field of Classification Search**

USPC ..... D3/273, 274, 276, 278, 281, 283, 284,  
D3/285, 286, 287, 288, 289, 290, 291, 293,  
D3/294, 295, 299, 301, 300, 900, 902  
CPC ..... A45C 5/03; A45C 5/032; A45C 5/035;  
A45C 5/037; A45C 3/02; A45C 7/0059;  
A45C 2013/025; Y10S 190/901  
See application file for complete search history.

**DESCRIPTION**

FIG. 1 is a perspective view of an embodiment of a tri-fold briefcase, showing my new design;  
FIG. 2 is a front elevational view thereof;  
FIG. 3 is a rear elevational view thereof;  
FIG. 4 is a left side elevational view thereof;  
FIG. 5 is a right side elevational view thereof.  
FIG. 6 is a top plan view thereof;  
FIG. 7 is a bottom plan view thereof;  
FIG. 8 is a perspective view thereof, in an open configuration;  
FIG. 9 is a perspective view thereof, in another open configuration; and,  
FIG. 10 is a rear perspective view thereof, in another open configuration.

Broken lines are for illustrating unclaimed portions of the tri-fold briefcase; the broken lines form no part of the claimed design. FIGS. 1 and 8-10 are shown at a smaller scale than the remaining views.

(56) **References Cited**

U.S. PATENT DOCUMENTS

6,296,094 B1 \* 10/2001 Knecht ..... A45C 7/0095  
190/107  
D464,197 S \* 10/2002 Kegels ..... D3/276  
D473,715 S \* 4/2003 Moldovan ..... D3/299  
D568,047 S \* 5/2008 Brancky ..... D3/284  
D596,842 S \* 7/2009 Cooper ..... D3/205  
D604,045 S \* 11/2009 Schantz ..... D3/299  
D646,892 S \* 10/2011 Littleton ..... D3/299  
D650,989 S \* 12/2011 Littleton ..... D3/299  
D658,361 S \* 5/2012 Kontos ..... D3/203.1  
D672,959 S \* 12/2012 Denzinger ..... D3/289

**1 Claim, 9 Drawing Sheets**





FIG. 1

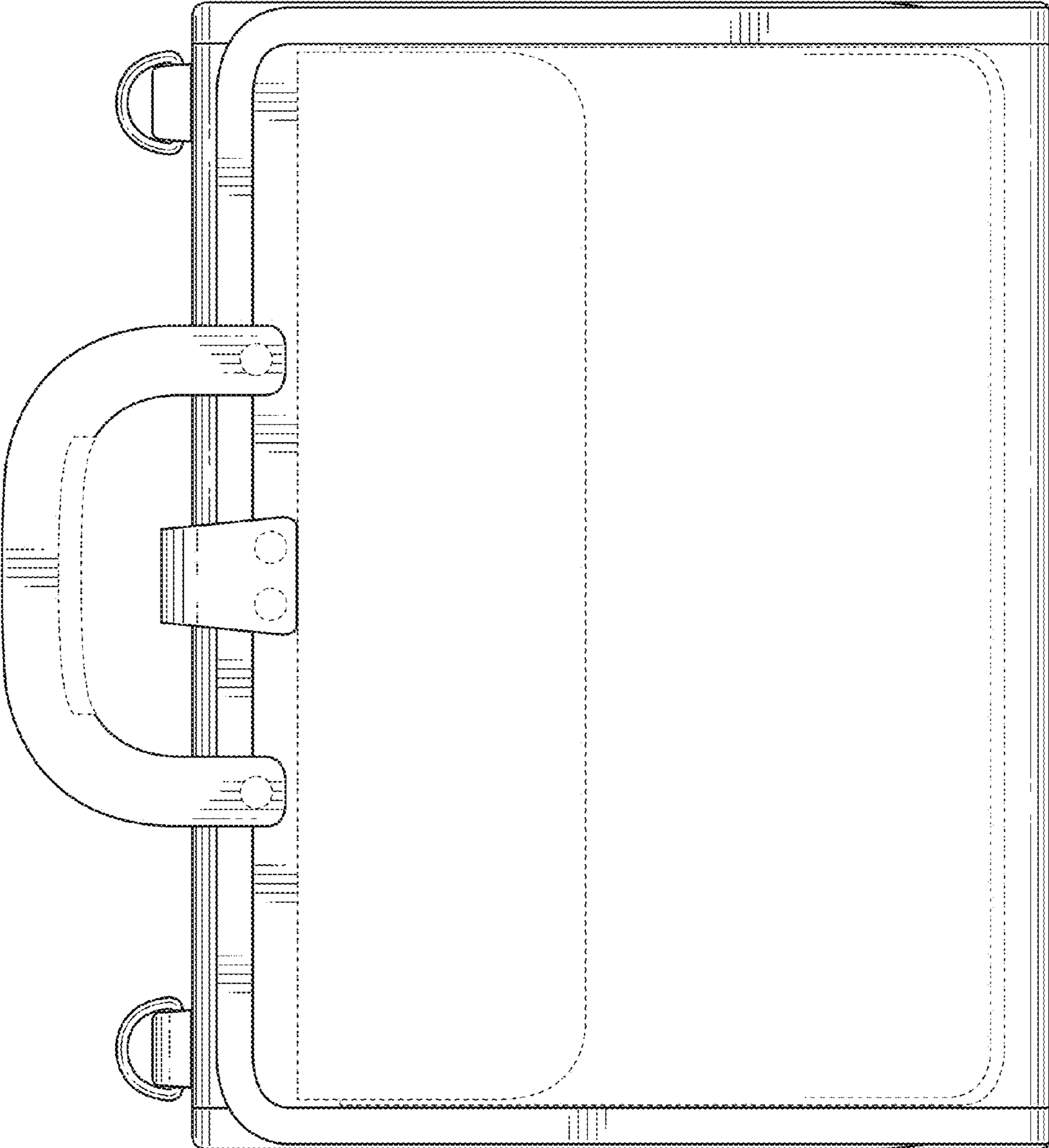


FIG. 2

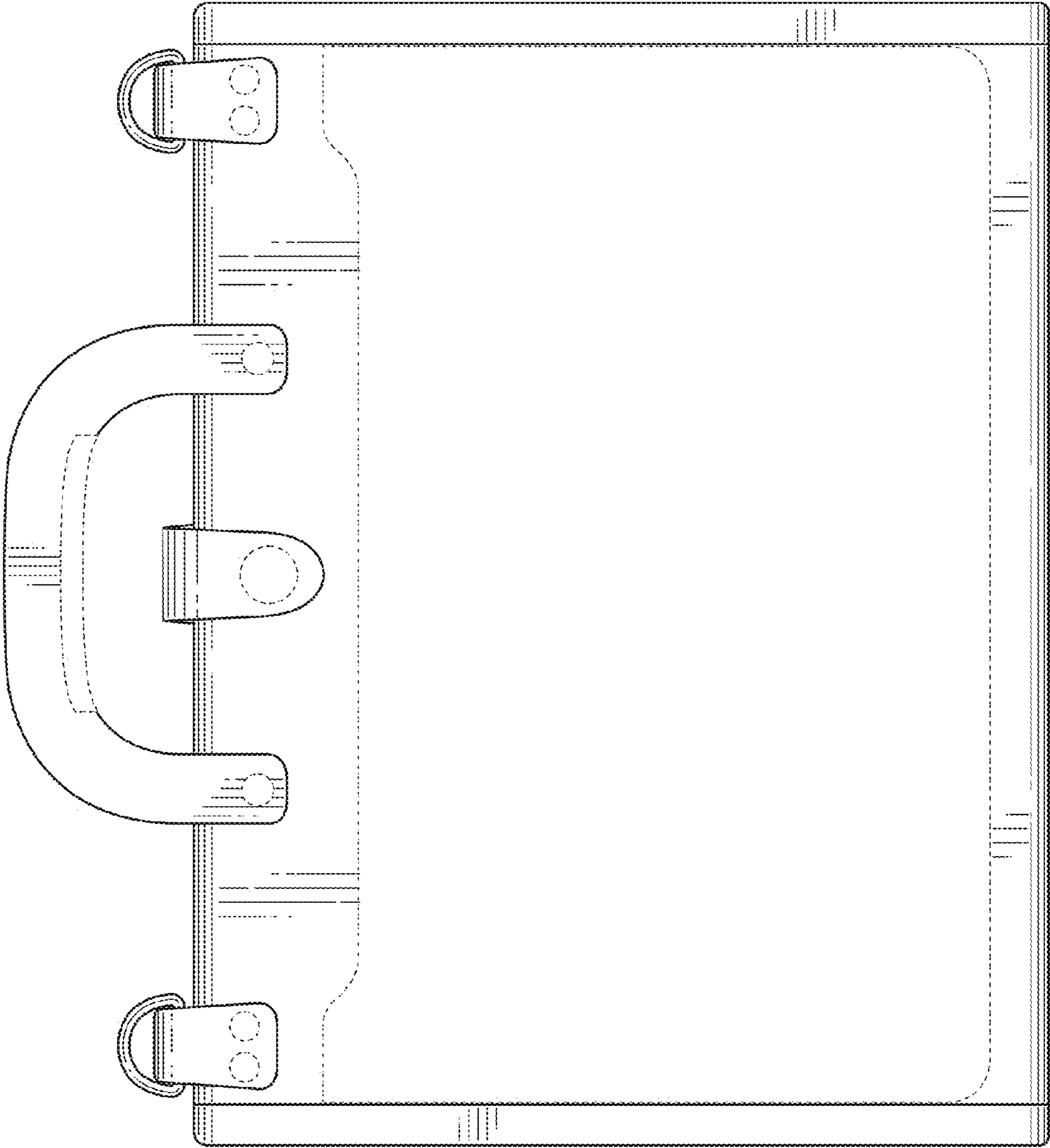


FIG. 3

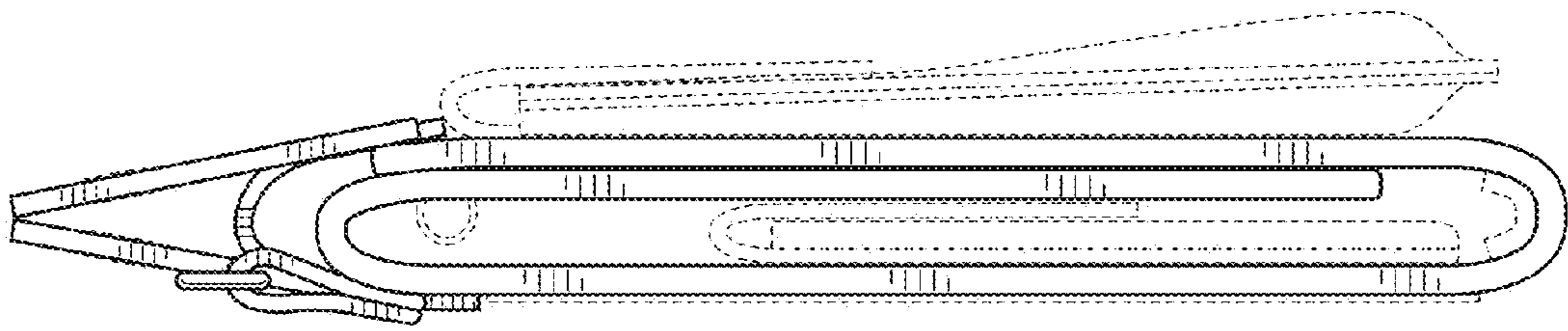


FIG. 5

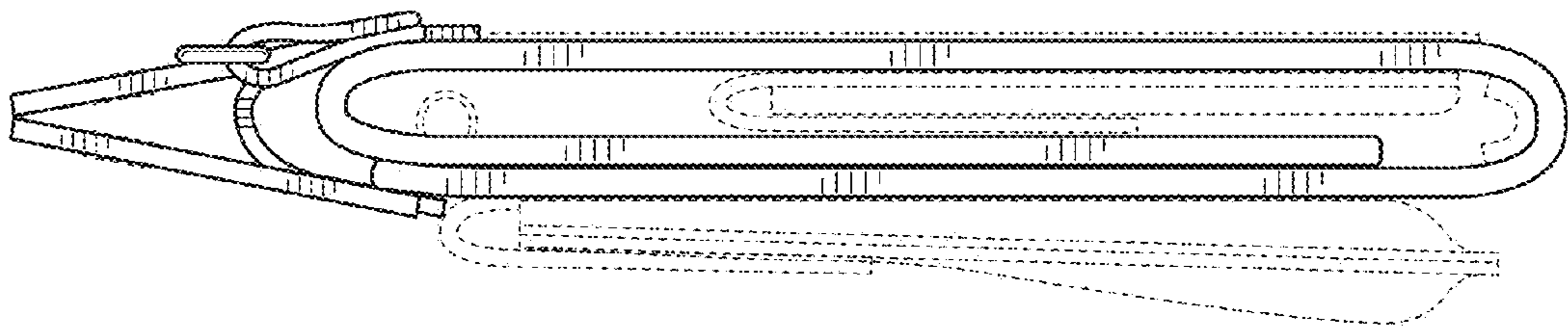


FIG. 4

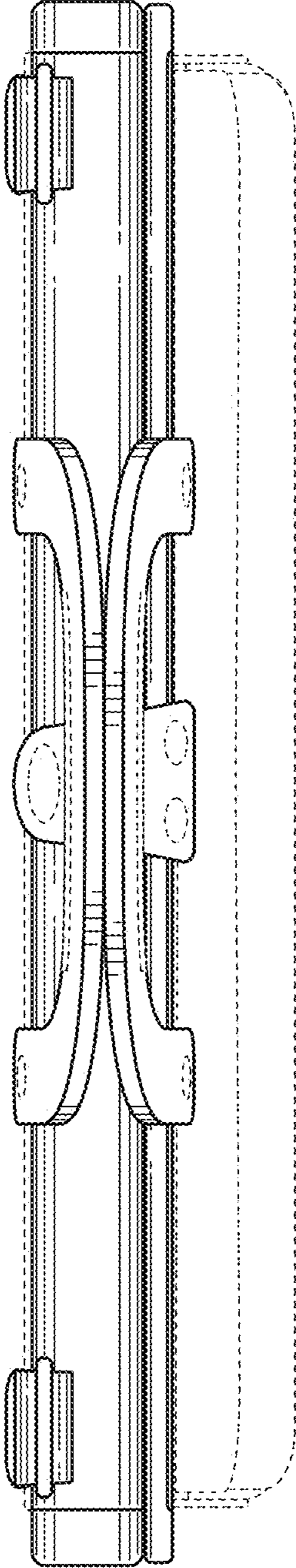


FIG. 6

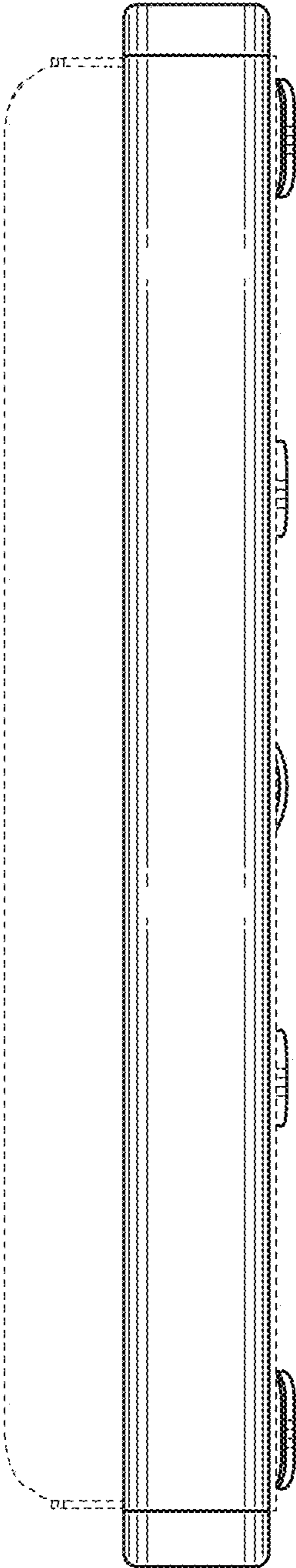


FIG. 7

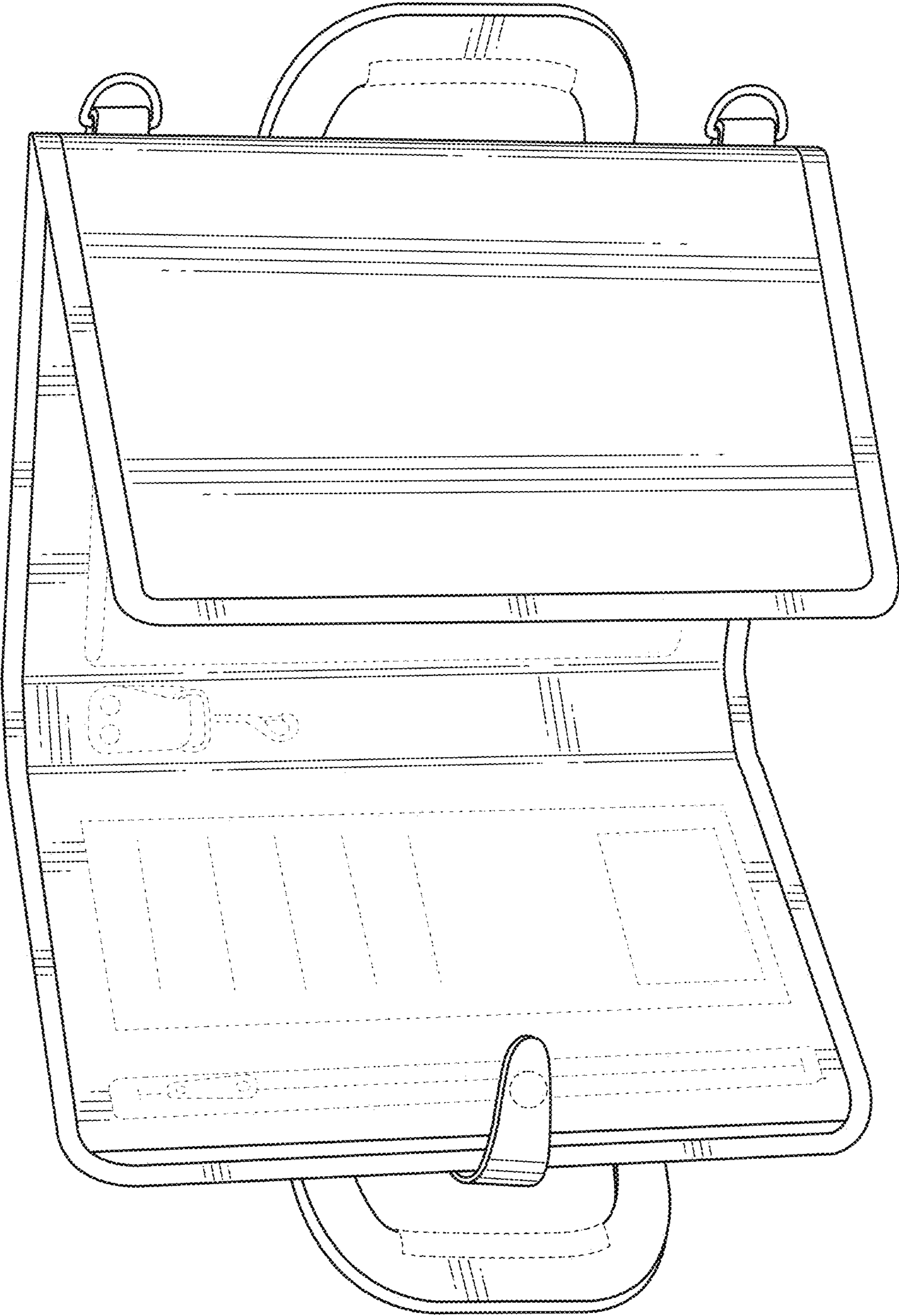


FIG. 8



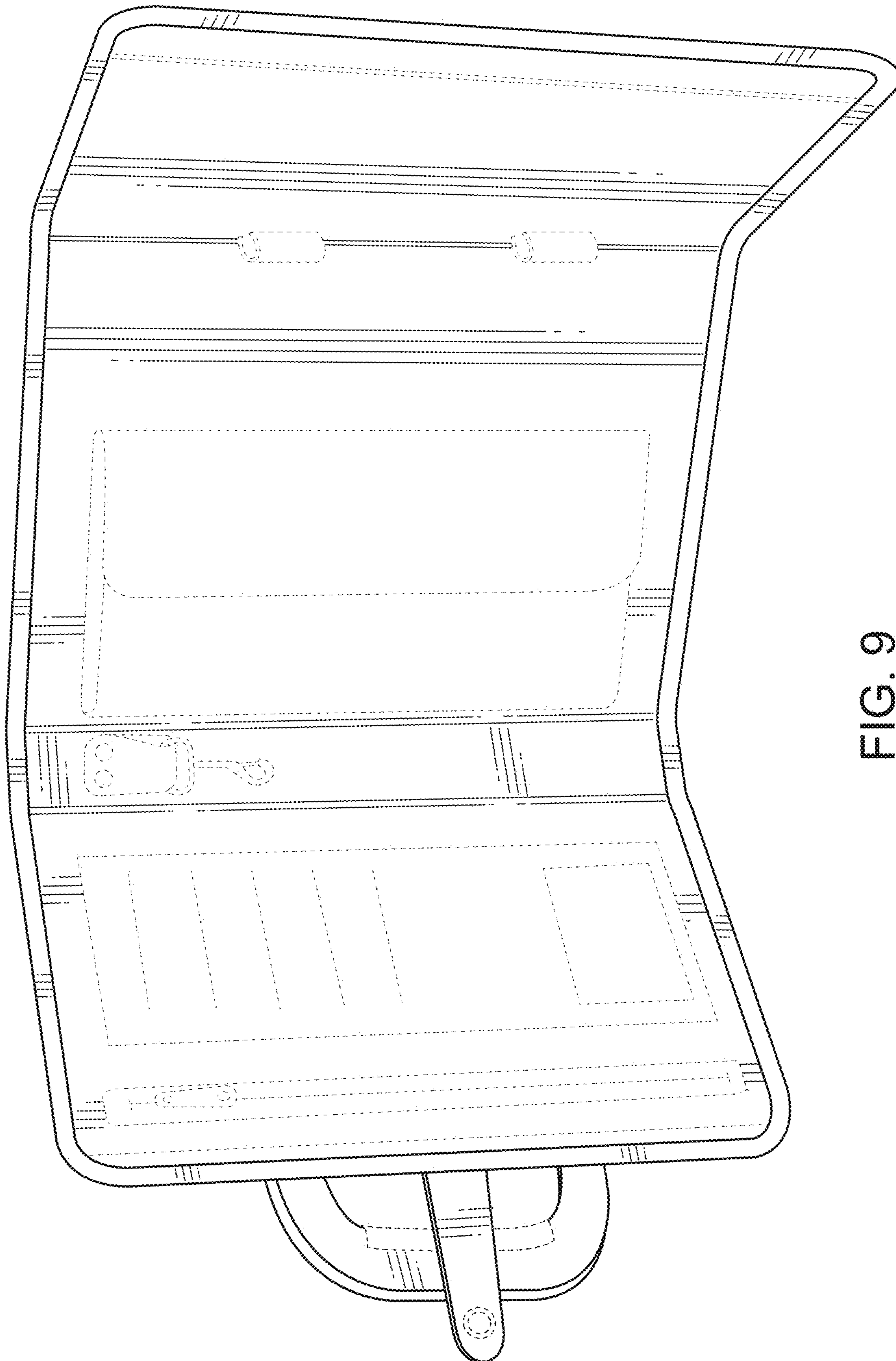


FIG. 9

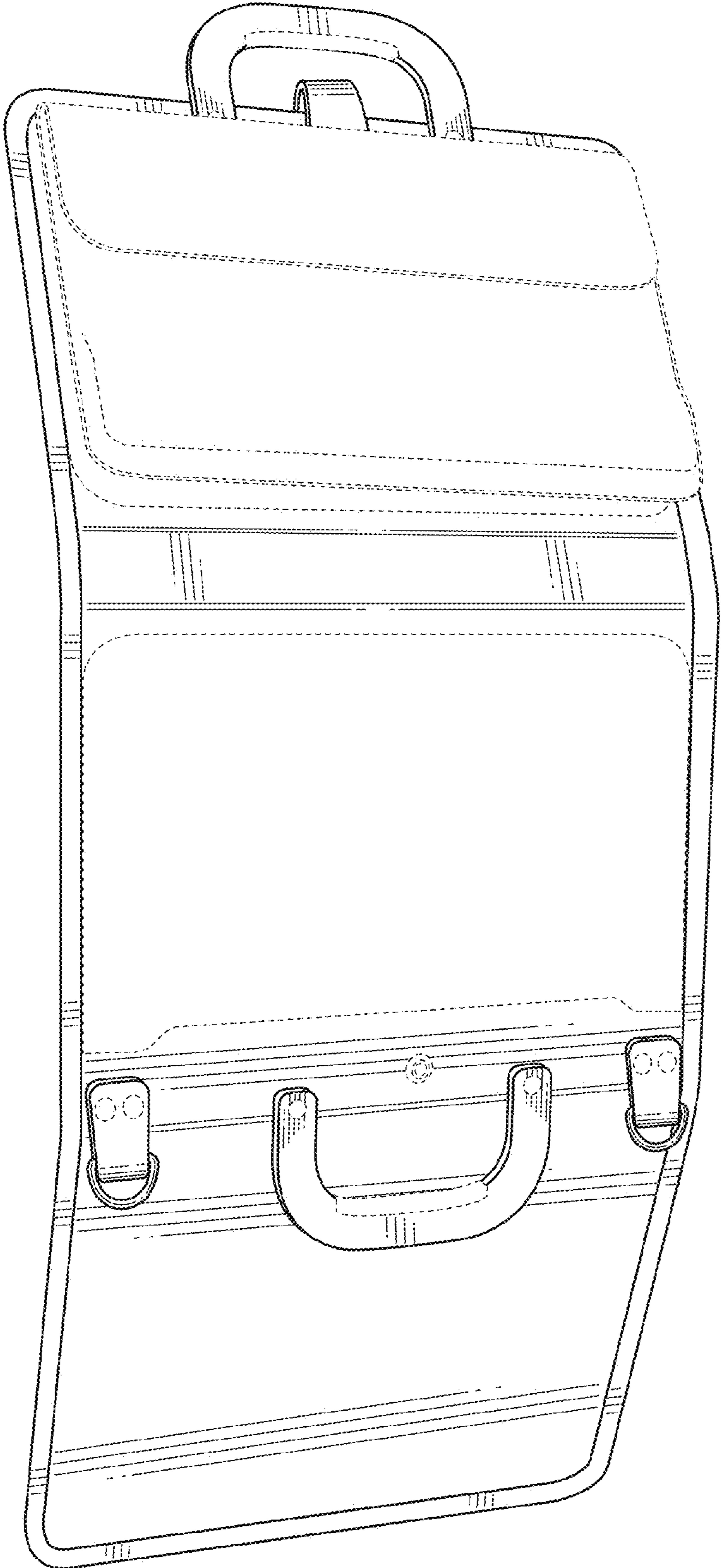


FIG. 10