

US00D761561S

(12) **United States Design Patent**
Cheng

(10) **Patent No.:** **US D761,561 S**
(45) **Date of Patent:** **** Jul. 19, 2016**

- (54) **HANGBAG**
- (71) Applicant: **Shu-Yen Cheng**, Taoyuan (TW)
- (72) Inventor: **Shu-Yen Cheng**, Taoyuan (TW)
- (**) Term: **14 Years**
- (21) Appl. No.: **29/516,568**
- (22) Filed: **Feb. 4, 2015**
- (51) **LOC (10) Cl.** **03-01**
- (52) **U.S. Cl.**
USPC **D3/246**
- (58) **Field of Classification Search**
USPC D3/304, 307, 232, 233, 240–243, 245,
D3/246, 318, 276, 289, 900; 150/100,
150/103–110, 113–114, 117–119
CPC .. A45C 13/002; A45C 13/02; A45C 2200/10;
A45C 3/08; A45C 3/06; A45C 3/04; A45C
7/077; A21C 1/024
See application file for complete search history.

D491,354 S *	6/2004	Chapelier	D3/246
D535,820 S *	1/2007	Kamiya	D3/246
D596,396 S *	7/2009	McCoy	D3/232
D603,607 S *	11/2009	Morelli	D3/245
D711,094 S *	8/2014	Simons	D3/232
D732,899 S *	6/2015	Seiders	D3/246
2015/0201722 A1 *	7/2015	Brouard	A45C 3/001 150/107

* cited by examiner

Primary Examiner — Derrick Holland
Assistant Examiner — Jennifer O King
(74) *Attorney, Agent, or Firm* — The Weintraub Group,
P.L.C.

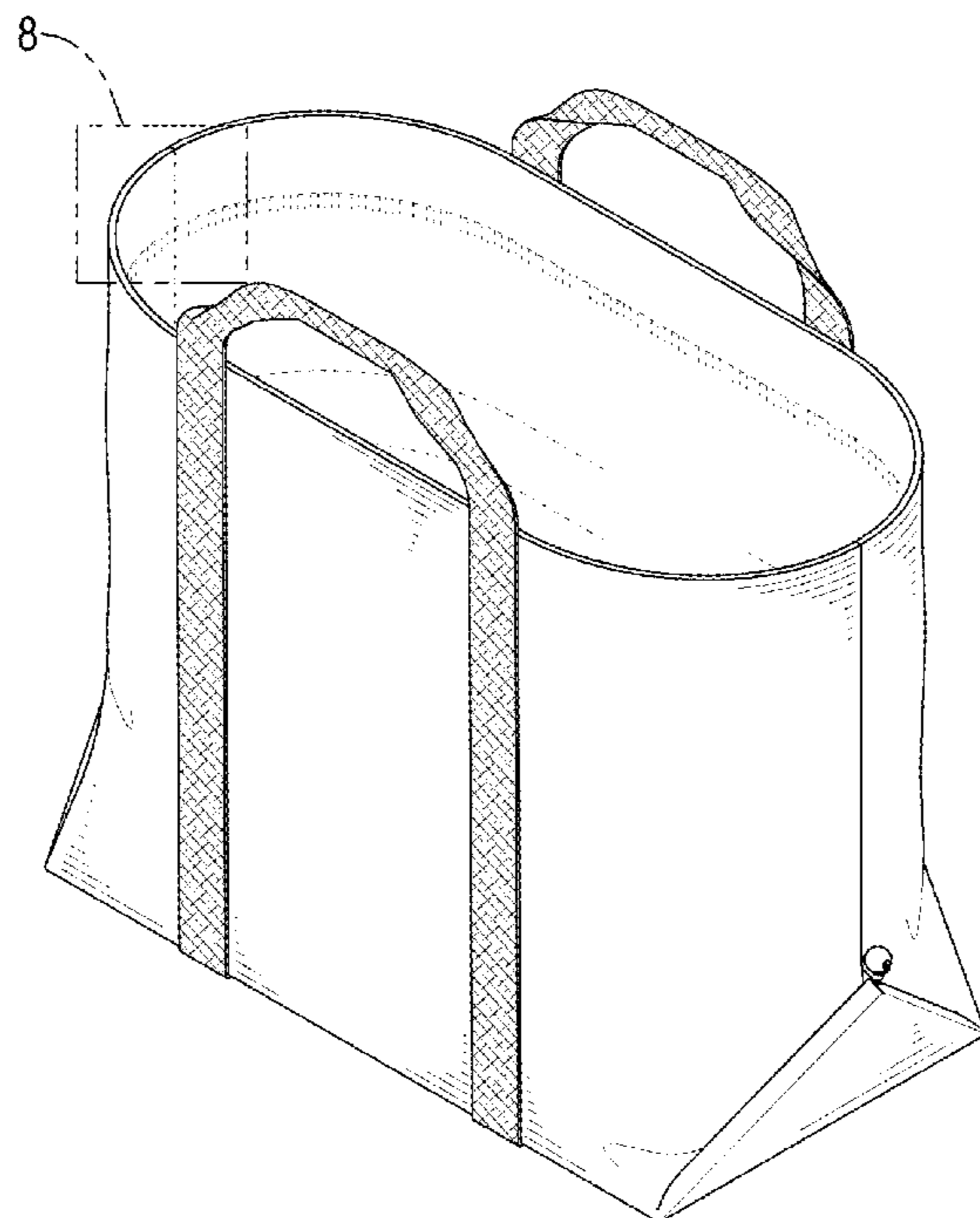
(57) **CLAIM**
The ornamental design for a hangbag, as shown and described.

DESCRIPTION

FIG. 1 is a perspective view of a hangbag showing my new design;
FIG. 2 is a front view thereof;
FIG. 3 is a rear view thereof;
FIG. 4 is a left side view thereof;
FIG. 5 is a right side view thereof;
FIG. 6 is a top view thereof;
FIG. 7 is a bottom view thereof; and,
FIG. 8 is an enlarged view of the annotated portion in FIG. 1.
The broken lines shown represent unclaimed subject matter and form no part of the claimed design.

1 Claim, 8 Drawing Sheets

- (56) **References Cited**
U.S. PATENT DOCUMENTS
526,566 A * 9/1894 Field B65D 33/12
2/248
2,164,641 A * 7/1939 Davenport A45C 7/0077
383/127
4,153,146 A * 5/1979 Patton A45C 7/0068
190/103
D280,043 S * 8/1985 Allen D3/303
D463,118 S * 9/2002 Tucker D3/246



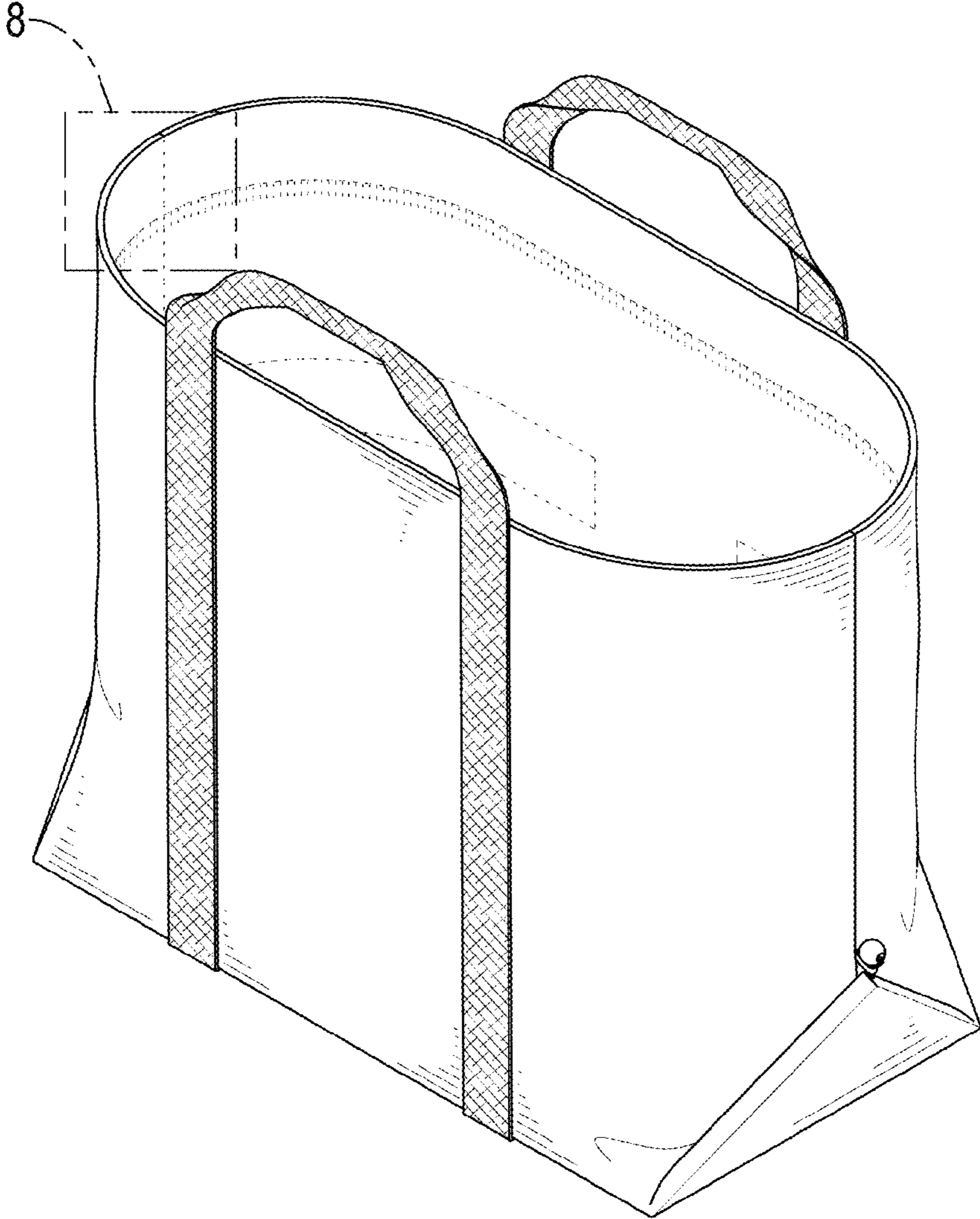


FIG.1

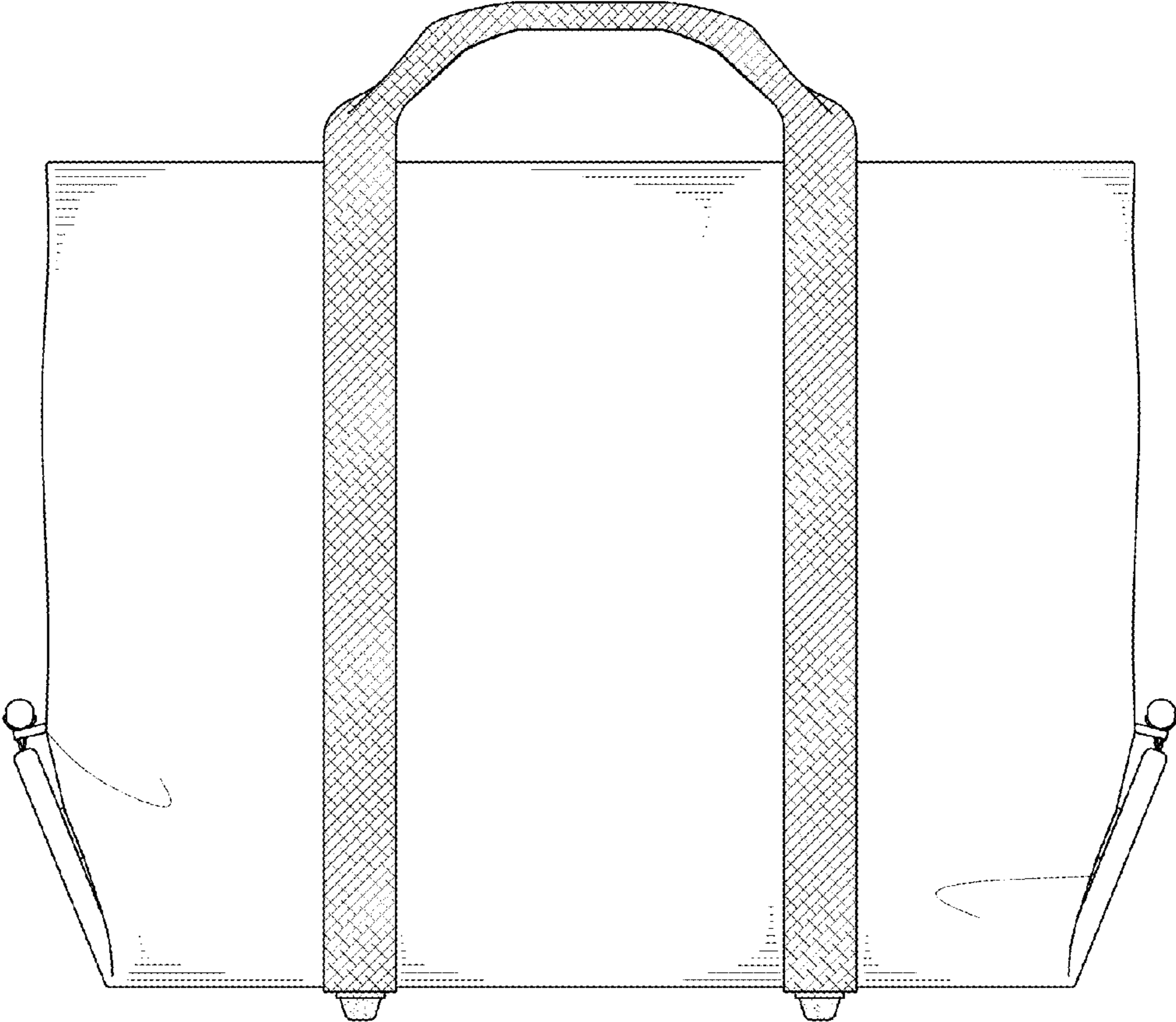


FIG.2

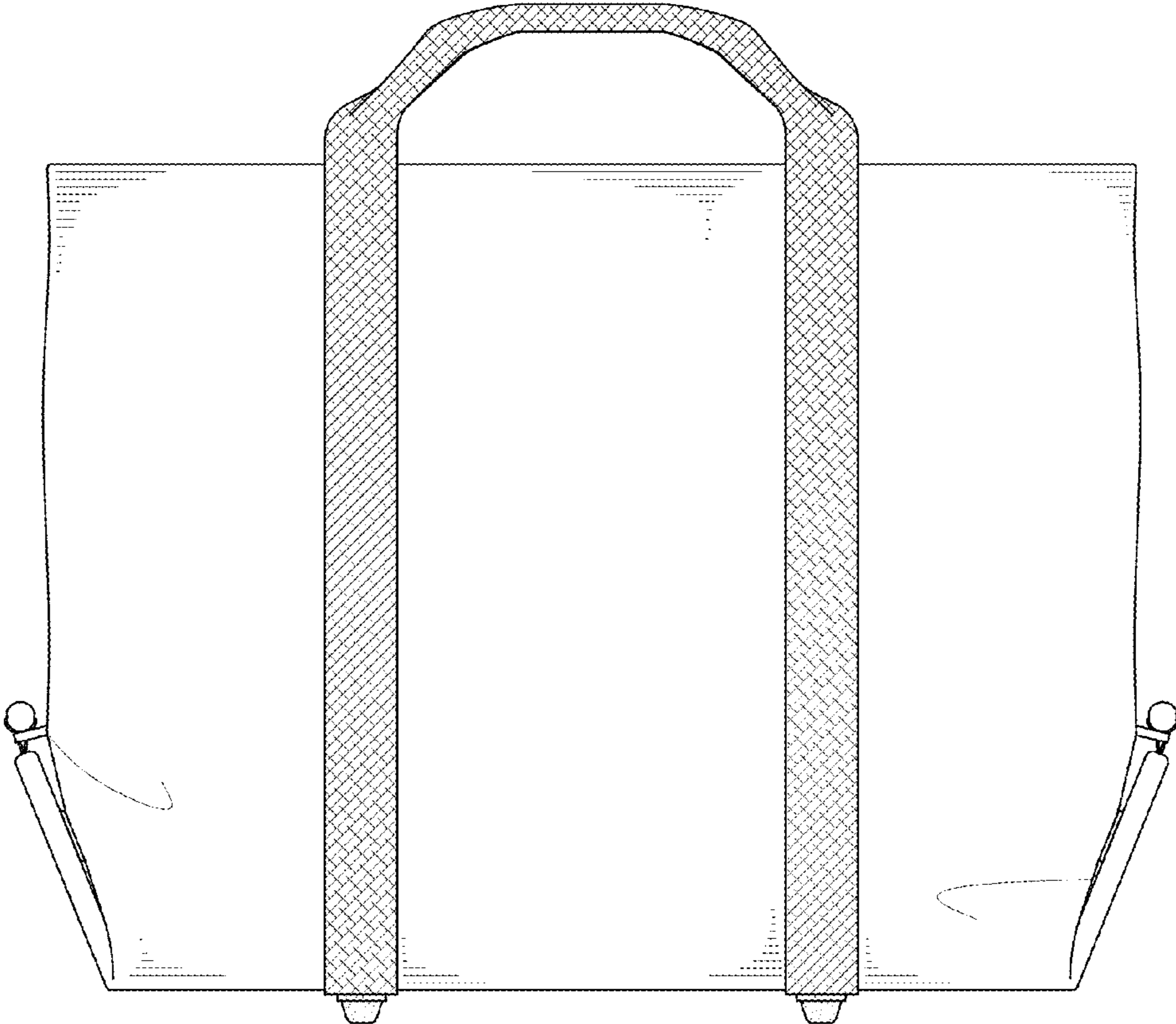


FIG.3

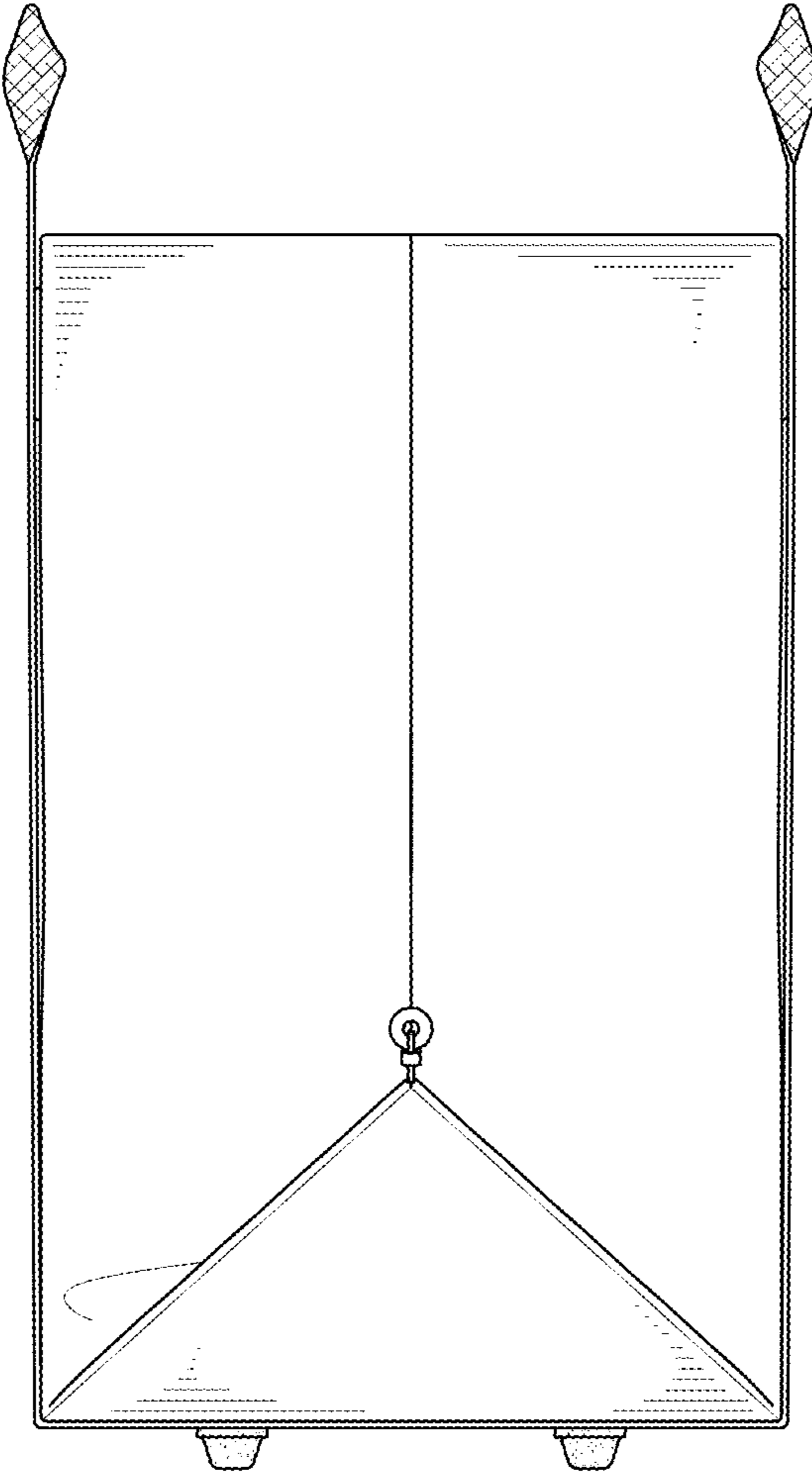


FIG.4

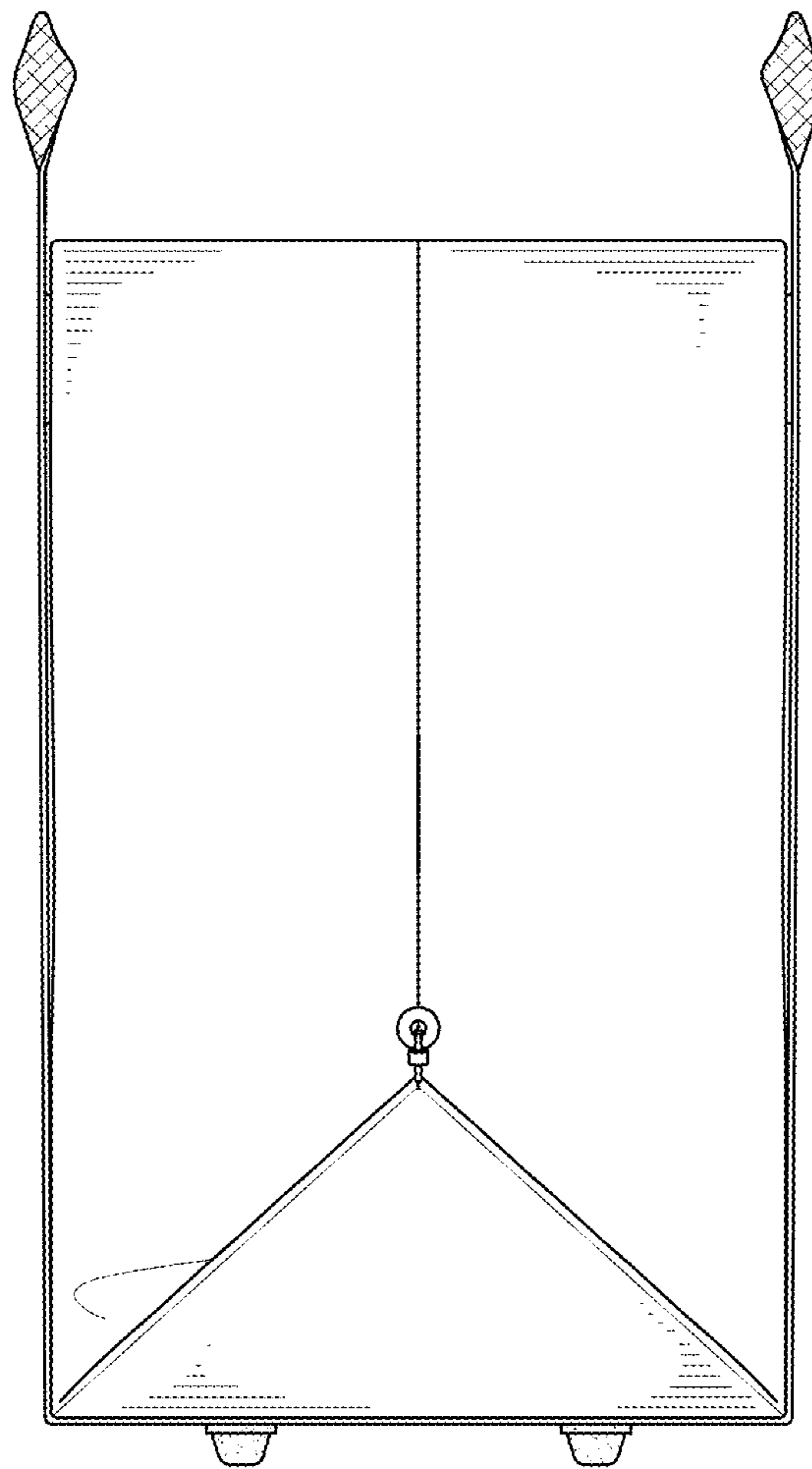


FIG.5

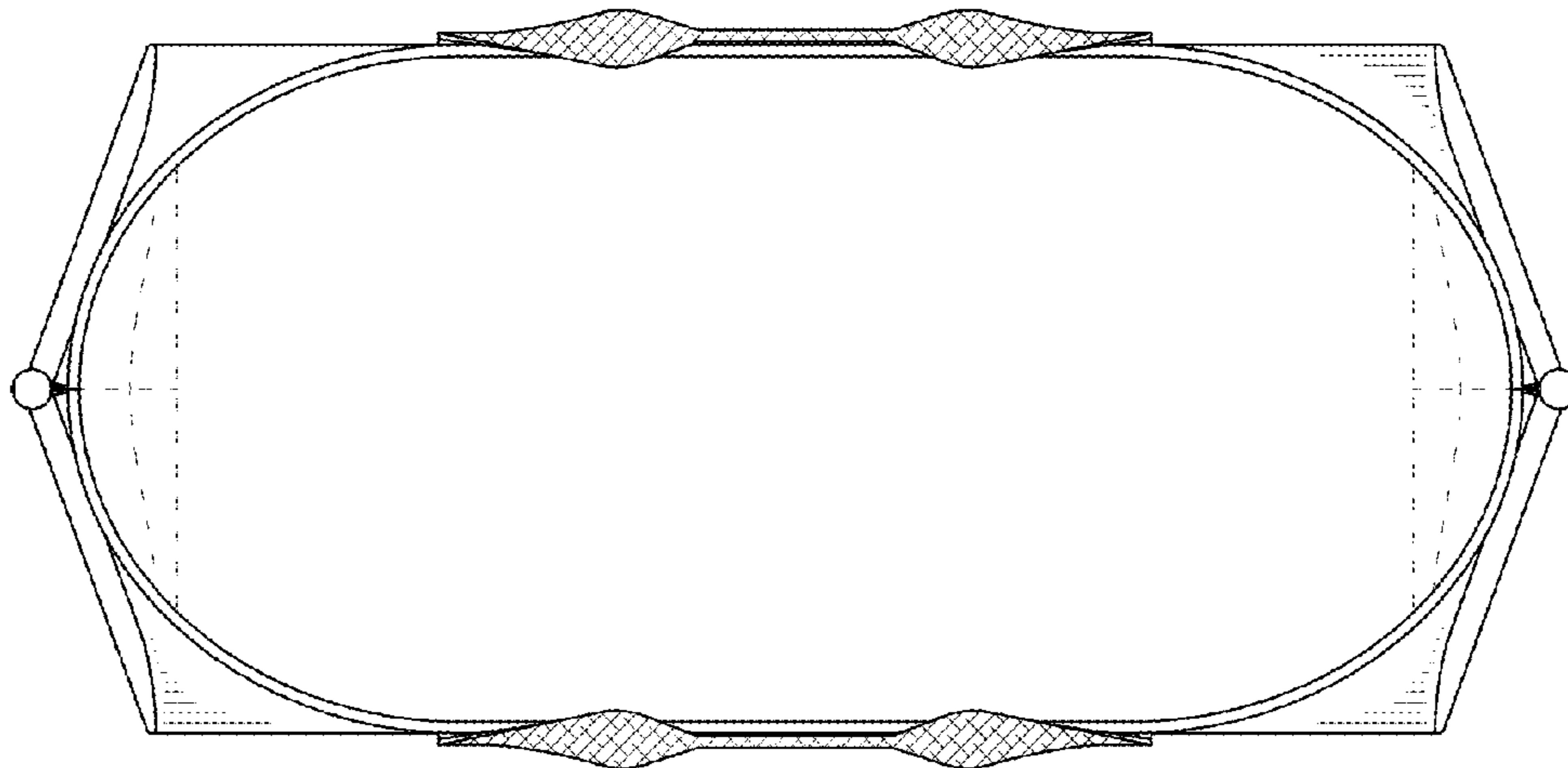


FIG.6

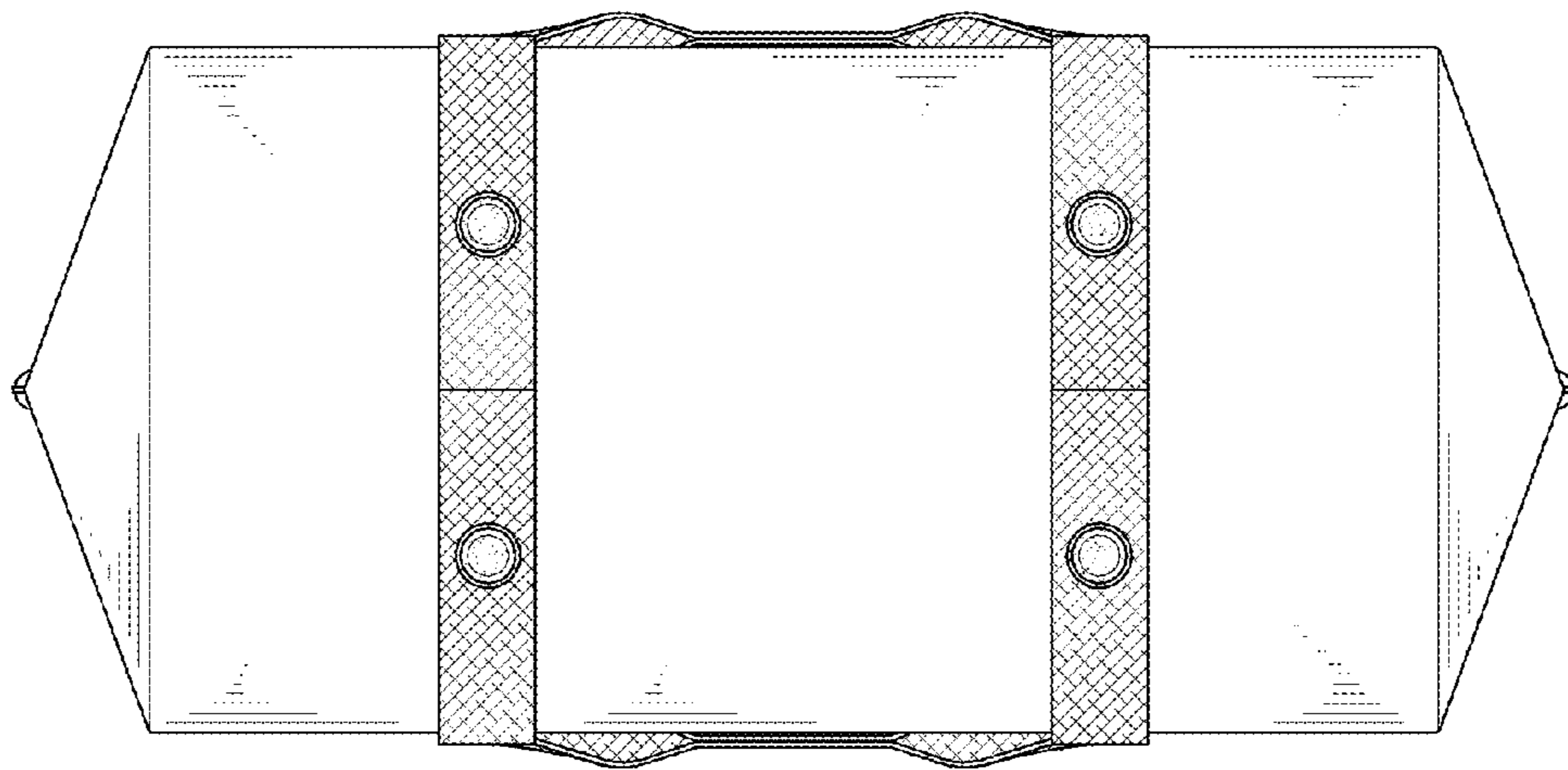


FIG.7

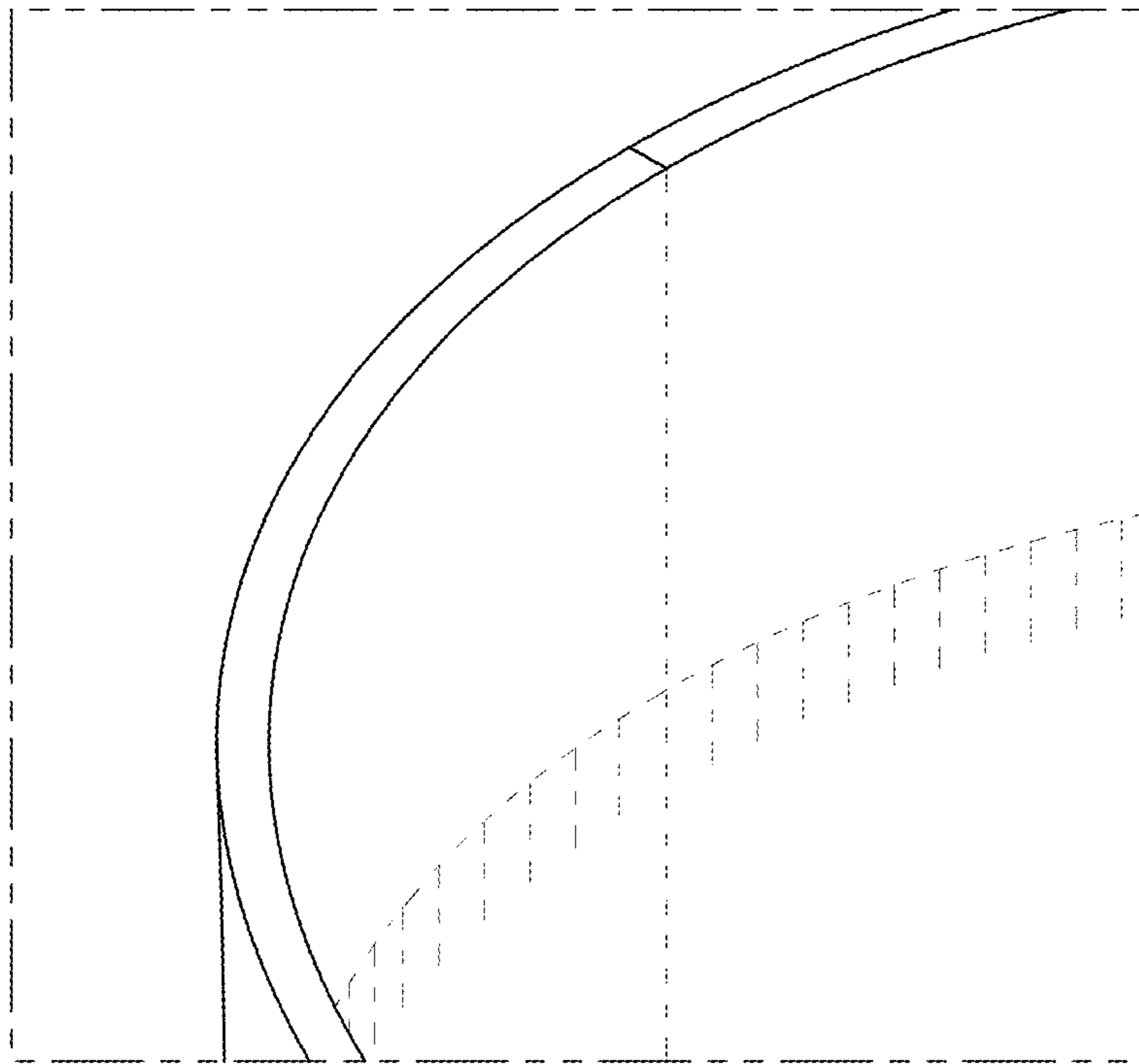


FIG.8