



US00D761557S

(12) **United States Design Patent**
Bernardoni

(10) **Patent No.:** **US D761,557 S**
(45) **Date of Patent:** **** Jul. 19, 2016**

(54) **HANDBAG**
(71) Applicant: **MARNI GROUP S.r.l.**, Milan (IT)
(72) Inventor: **Consuelo Castiglioni Bernardoni**,
Milan (IT)
(73) Assignee: **MARNI GROUP S.r.l.**, Milan (IT)
(**) Term: **14 Years**

D659,391 S * 5/2012 Jobert D3/243
D674,187 S * 1/2013 Jobert D3/243
D686,820 S * 7/2013 Song D3/243
D713,142 S * 9/2014 Dallas D3/243
D717,043 S * 11/2014 Pulliam D3/243
D726,409 S * 4/2015 Fusi D3/243
D728,225 S * 5/2015 McNamara D3/243
D728,925 S * 5/2015 Von Furstenberg D3/243
D730,645 S * 6/2015 Slimane D3/243
D733,423 S * 7/2015 Dumas D3/243
D747,874 S * 1/2016 Della Valle D3/243

* cited by examiner

(21) Appl. No.: **29/500,768**
(22) Filed: **Aug. 28, 2014**

Primary Examiner — Robert M Spear
Assistant Examiner — Eliza Bennett-Hattan
(74) *Attorney, Agent, or Firm* — Thomas | Horstemeyer,
LLP

(30) **Foreign Application Priority Data**

Jul. 17, 2014 (EM) 002504605

(51) **LOC (10) Cl.** **03-01**
(52) **U.S. Cl.**
USPC **D3/243**

(57) **CLAIM**
The ornamental design for a handbag, as shown and
described.

(58) **Field of Classification Search**
USPC D3/218, 227, 232–233, 239, 240–243,
D3/245, 289, 301, 303, 318, 323, 327, 328,
D3/900; D8/97, 107, 300, 303, 313, 314,
D8/321; D15/5, 18
CPC Y10T 24/2586; Y10T 24/2589; Y10T
24/257; Y10T 24/25; A44B 19/262; A44B
19/26; A44B 19/00; A41F 19/00; A41F
1/008; A41D 2300/322; A45C 11/324
See application file for complete search history.

DESCRIPTION

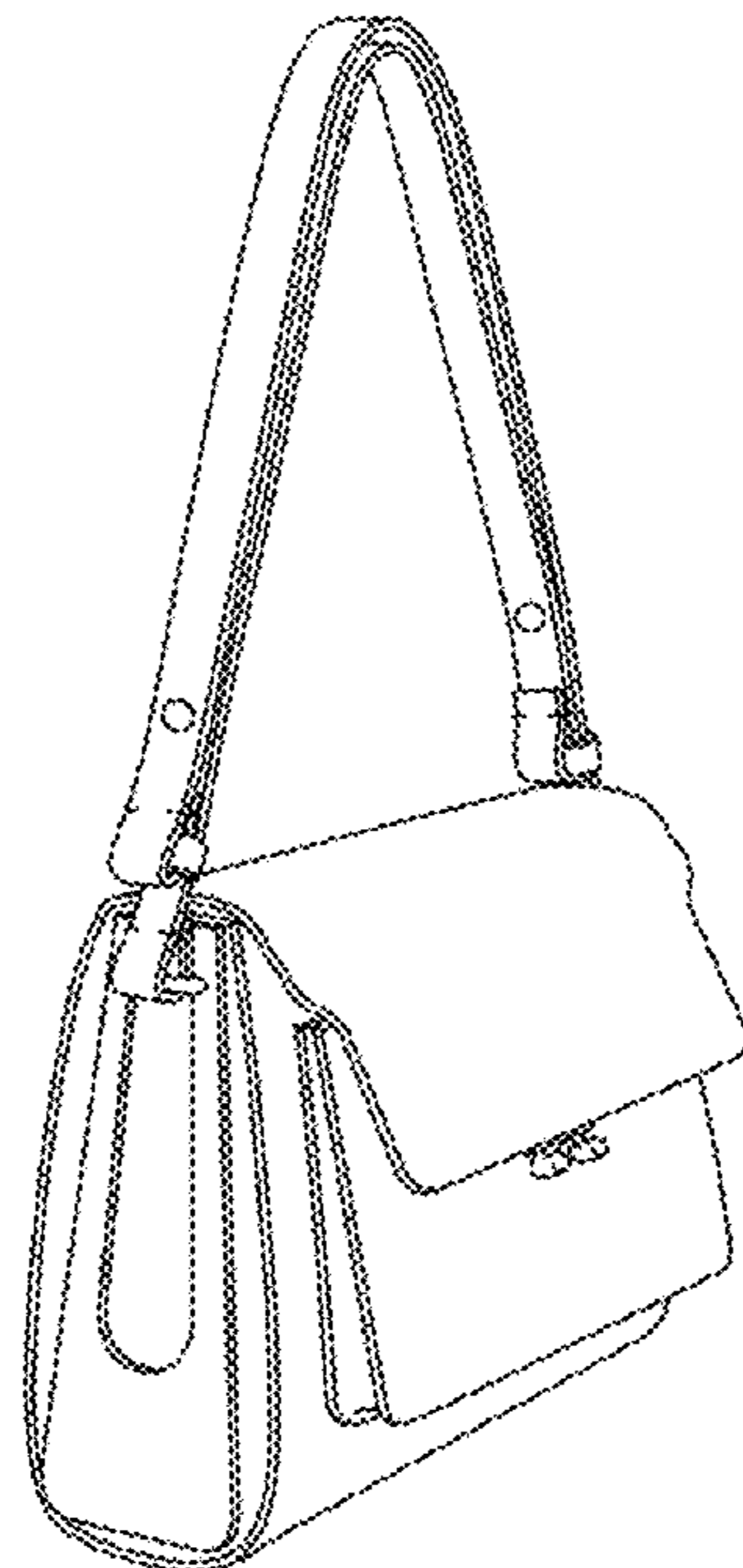
FIG. 1 is a perspective view of my new handbag;
FIG. 2 is a front elevational view of my new handbag of FIG.
1;
FIG. 3 is a rear elevational view of my new handbag, opposite
that of FIG. 2;
FIG. 4 is a left side elevational view of my new handbag of
FIG. 1;
FIG. 5 is a right side elevational view of my new handbag
from a side opposite that of FIG. 4;
FIG. 6 is a top view of my new handbag; and,
FIG. 7 is a bottom view of my new handbag.

(56) **References Cited**

U.S. PATENT DOCUMENTS

D248,058 S * 5/1978 Siegel D3/243
D275,241 S * 8/1984 Schimmel D3/243

1 Claim, 6 Drawing Sheets



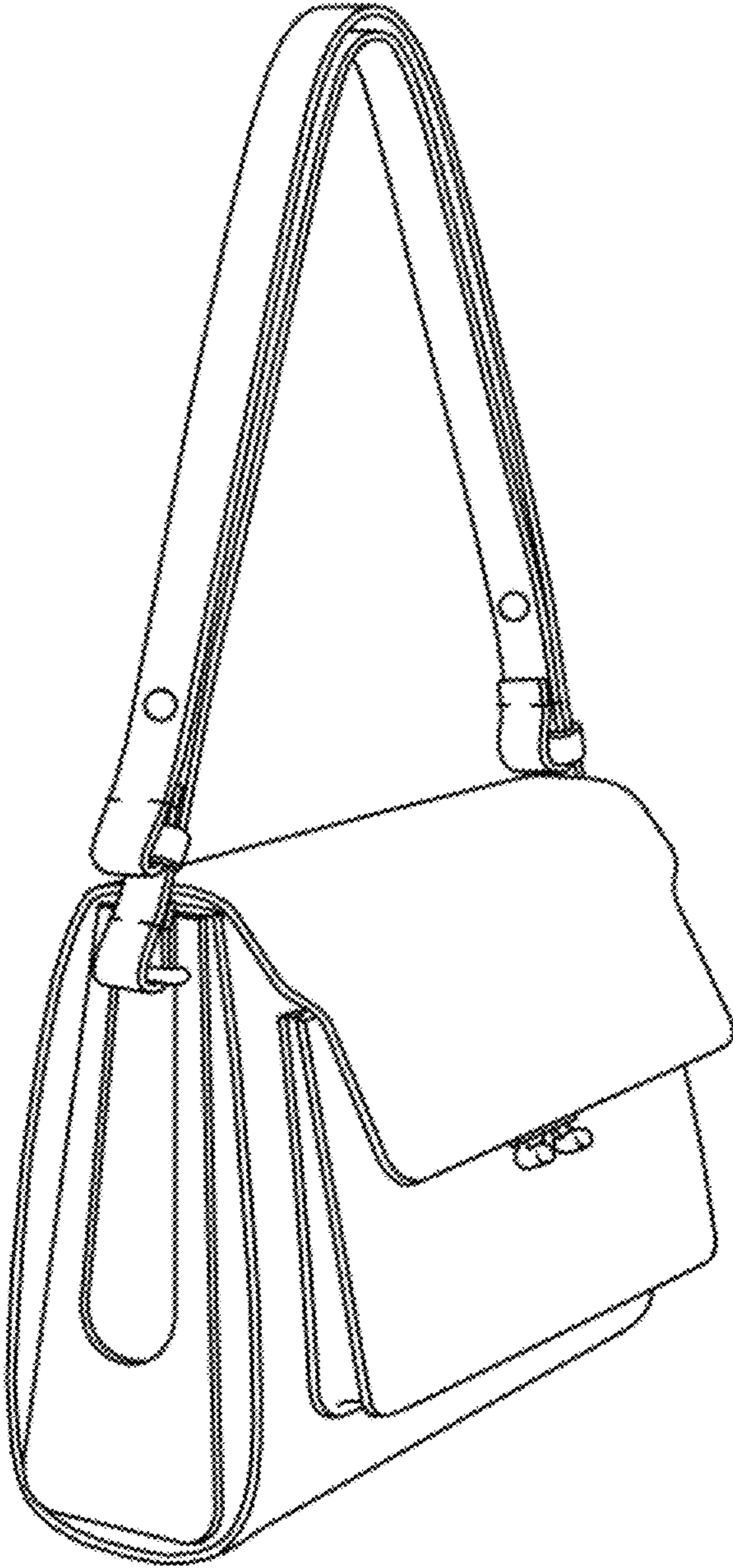


Fig. 1



Fig. 2

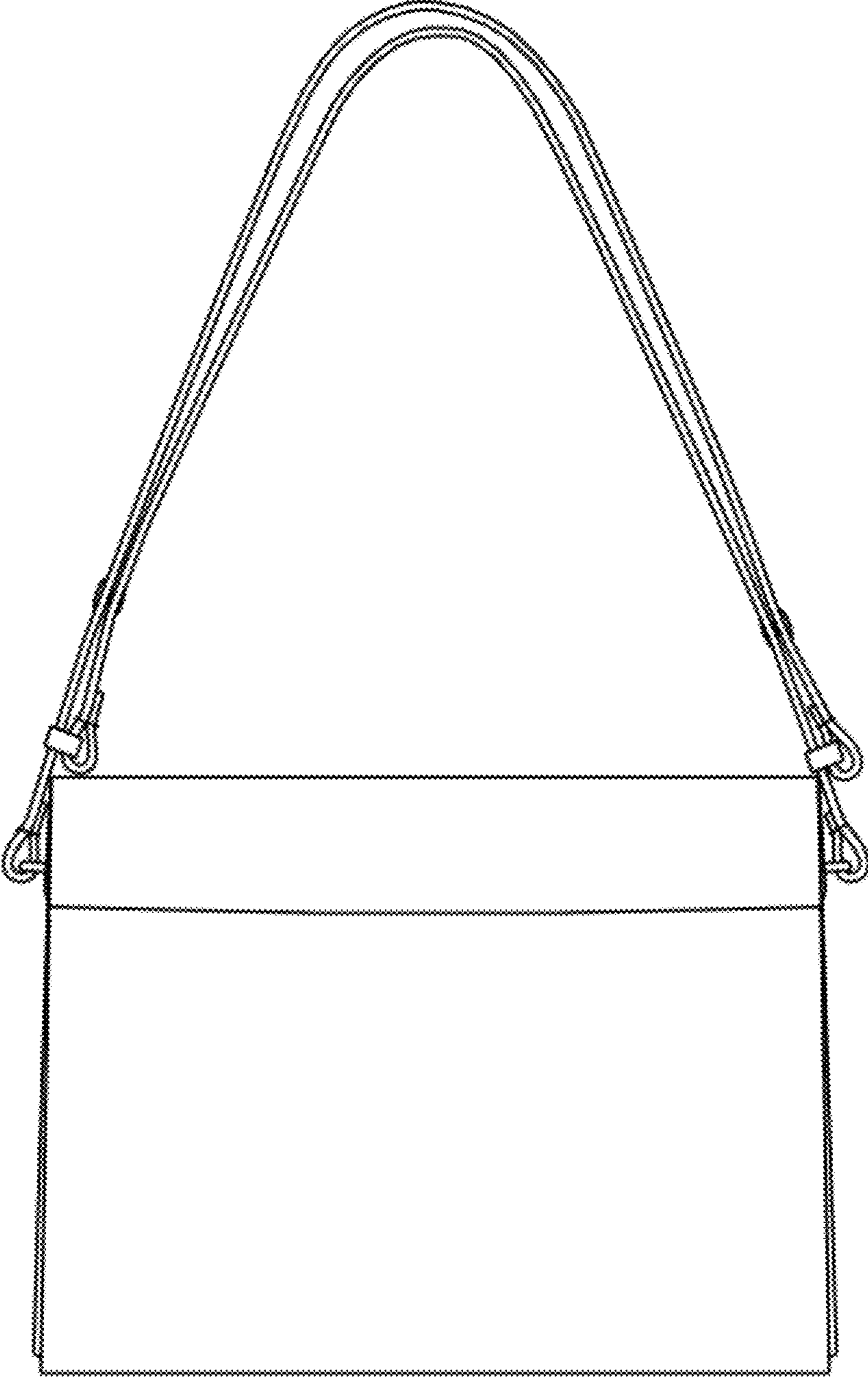


Fig. 3

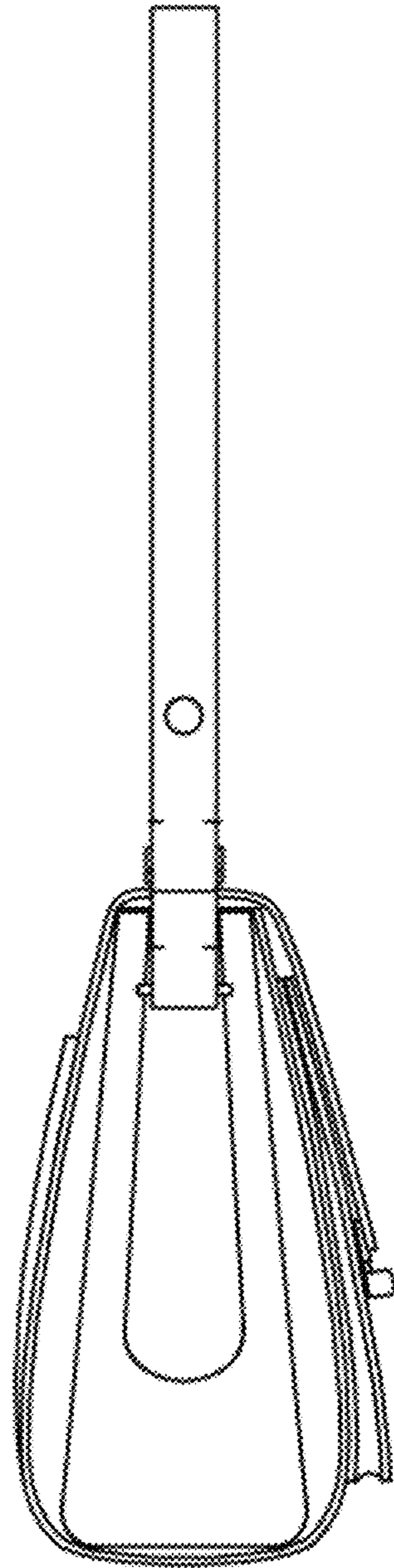


Fig. 4

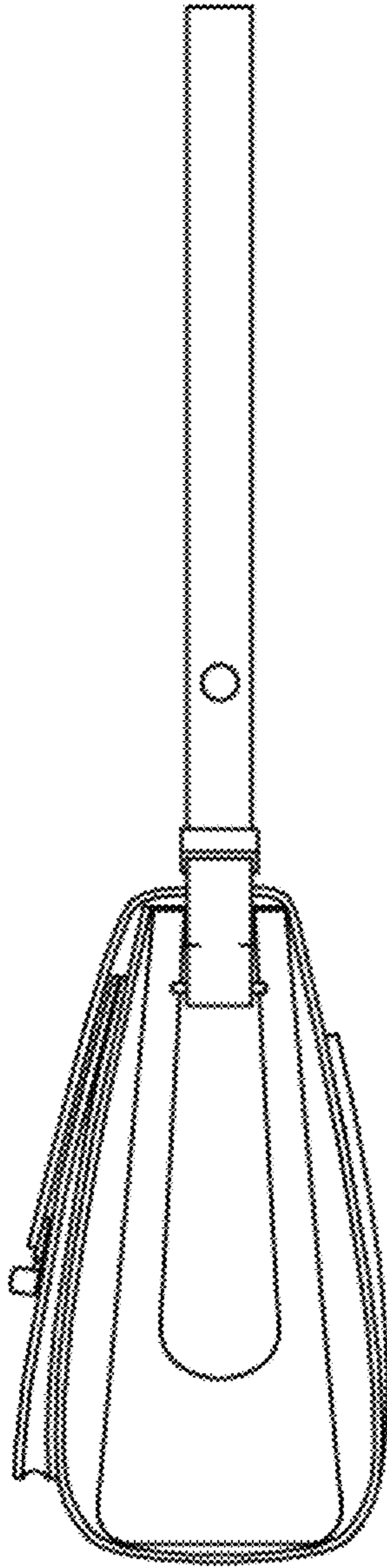


Fig. 5



Fig. 6

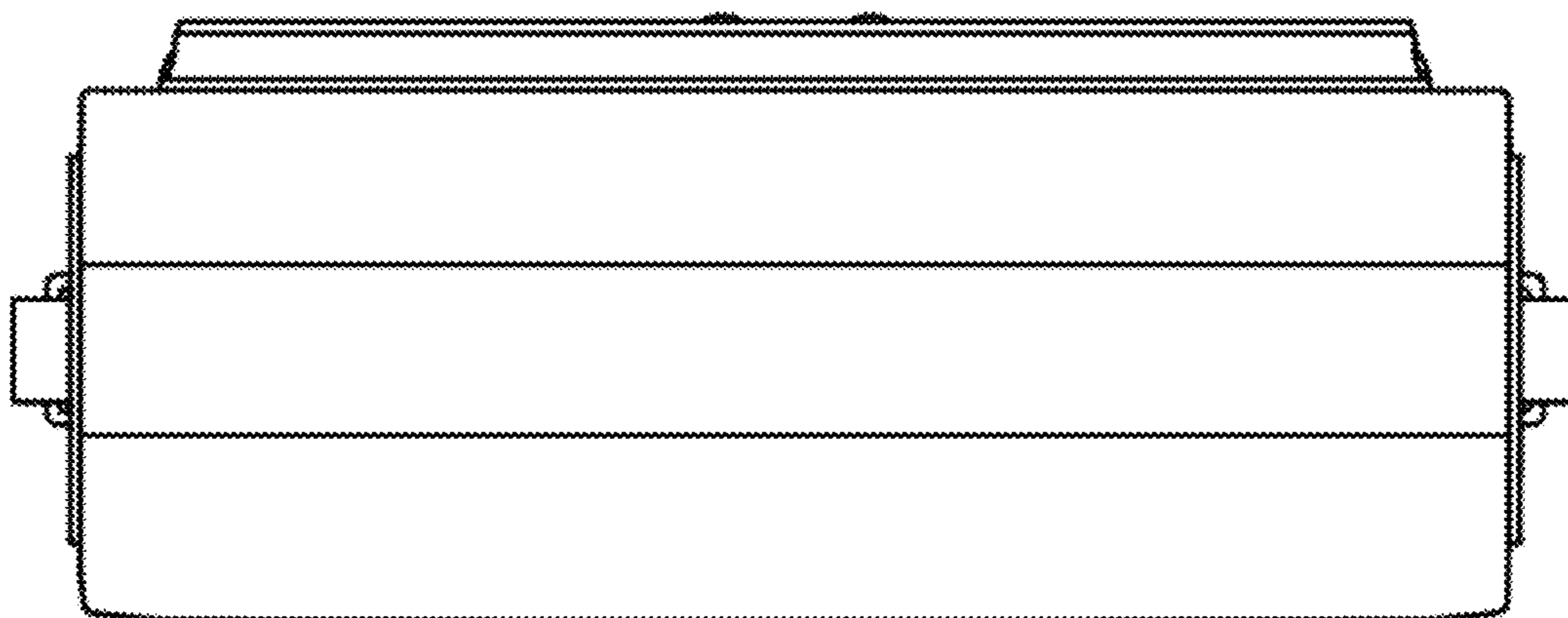


Fig. 7