



US00D761552S

(12) **United States Design Patent**  
**Kalbach**

(10) **Patent No.:** **US D761,552 S**  
(45) **Date of Patent:** **\*\* Jul. 19, 2016**

(54) **DEVICE MOUNT**

(71) Applicant: **EK Ekcessories, Inc.**, Logan, UT (US)

(72) Inventor: **Edward Van Lee Kalbach**, Nibley, UT (US)

(73) Assignee: **EK Ekcessories, Inc.**, Logan, UT (US)

(\*\*) Term: **14 Years**

(21) Appl. No.: **29/498,346**

(22) Filed: **Aug. 1, 2014**

(51) **LOC (10) Cl.** ..... **03-01**

(52) **U.S. Cl.**  
USPC ..... **D3/218**

(58) **Field of Classification Search**  
USPC ..... D3/218, 215; 224/197, 269, 272, 666,  
224/668, 678, 930; 24/3.11, 3.12  
CPC ..... A45C 11/00; A45F 5/02; A45F 5/021  
See application file for complete search history.

(56) **References Cited**

**U.S. PATENT DOCUMENTS**

D222,150 S	10/1971	McCarty	
D237,760 S	11/1975	Woods	
4,156,574 A	5/1979	Boden	
4,171,555 A	10/1979	Bakker et al.	
4,419,794 A *	12/1983	Horton, Jr.	A45F 5/02 224/197
D309,619 S	7/1990	Kalbach	
D310,305 S	9/1990	Scognamillo et al.	
D310,448 S	9/1990	Scognamillo et al.	
D320,867 S	10/1991	Kasama	
5,054,170 A *	10/1991	Otrusina	A45F 5/02 224/197
5,584,423 A *	12/1996	Wang	A45F 5/021 224/197
D382,503 S	8/1997	Kalbach	
5,842,256 A	12/1998	Anscher	
D418,774 S	1/2000	Kalbach	
D432,401 S	10/2000	Kalbach	
D446,109 S	8/2001	Kalbach	

D462,513 S	9/2002	Holzhaus et al.	
D462,523 S	9/2002	Kalbach	
D477,709 S	7/2003	Natividad	
6,711,785 B1	3/2004	Hicks et al.	
6,722,539 B2 *	4/2004	Iitsuka	A45F 5/02 224/197

(Continued)

**OTHER PUBLICATIONS**

“Shockers Eyewear Retainers & Sports Accessories Catalog,” 1989-1999, Newberg, Oregon.

(Continued)

*Primary Examiner* — Catheri Oliver-Garcia

(74) *Attorney, Agent, or Firm* — TraskBritt

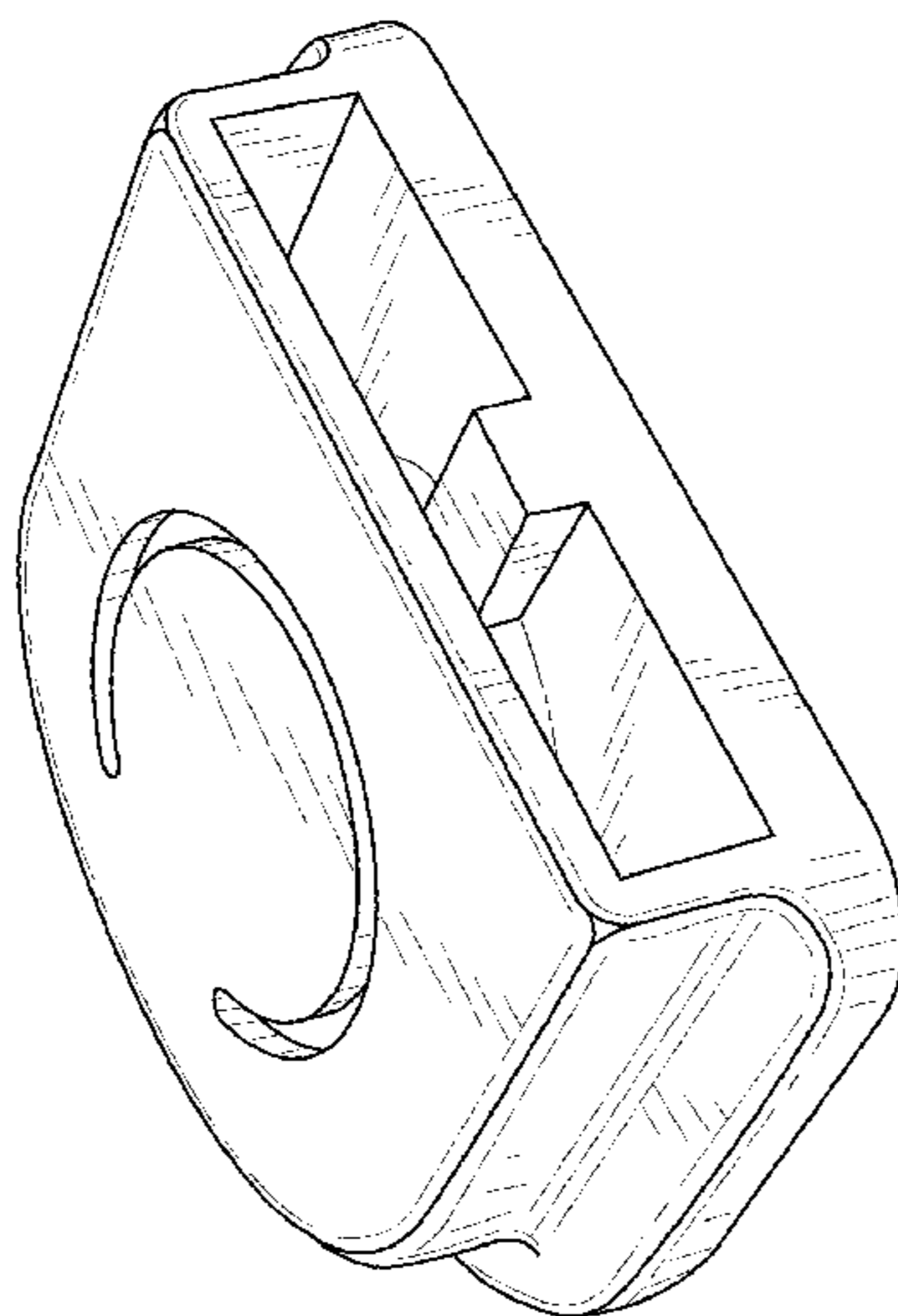
(57) **CLAIM**

The ornamental design for a device mount, as shown and described.

**DESCRIPTION**

FIG. 1 is a perspective view of a device mount showing my new design;  
 FIG. 2 is another perspective view of the device mount shown in FIG. 1 illustrated in an exemplary use attached to a device;  
 FIG. 3 is a front elevation view of the device mount shown in FIG. 1;  
 FIG. 4 is a rear elevation view of the device mount shown in FIG. 1;  
 FIG. 5 is a top plan view of the device mount shown in FIG. 1;  
 FIG. 6 is a bottom plan view of the device mount shown in FIG. 1;  
 FIG. 7 is a side elevation view of the device mount shown in FIG. 1; and,  
 FIG. 8 is an opposite side elevation view of the device mount shown in FIG. 1.  
 The broken lines represented in FIGS. 1 through 8 are for illustration purposes only and form no part of the claimed design.

**1 Claim, 4 Drawing Sheets**



(56)

References Cited

U.S. PATENT DOCUMENTS

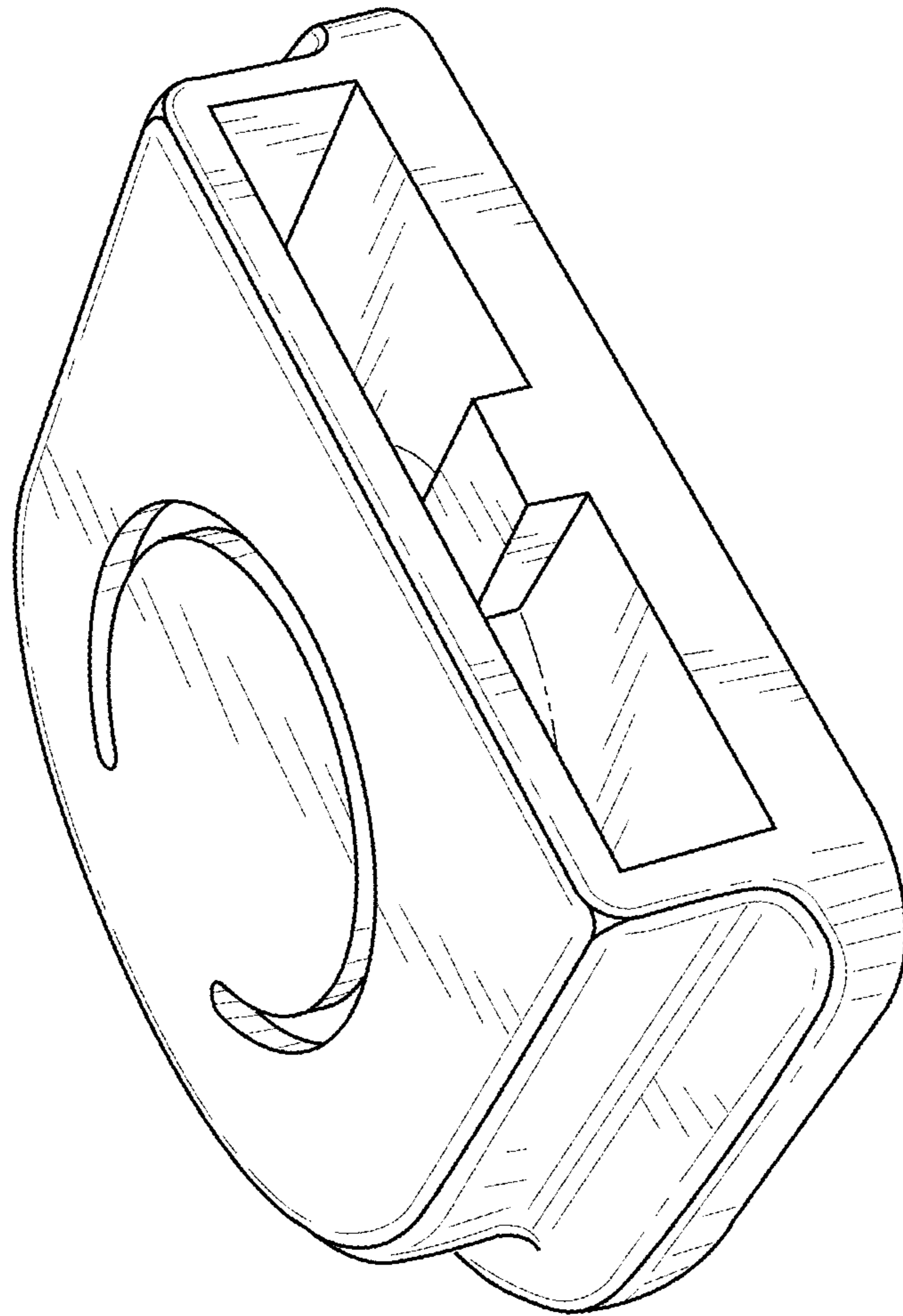
6,752,305 B2 6/2004 Shattuck  
D507,110 S 7/2005 Hicks et al.  
7,056,028 B2 6/2006 Hosoda et al.  
D544,400 S 6/2007 Yoshiguchi  
D564,754 S \* 3/2008 Tages ..... D3/218  
D565,841 S \* 4/2008 Kim ..... D3/218  
D619,495 S 7/2010 Herman  
D634,232 S 3/2011 Kelly et al.  
D637,478 S 5/2011 Kalbach  
D638,330 S 5/2011 Fahrendorff et al.  
D639,642 S 6/2011 Kalbach  
D644,139 S 8/2011 Kalbach  
8,070,026 B2 \* 12/2011 Wadsworth ..... A45C 11/00  
224/197  
  
D662,436 S 6/2012 Kalbach  
D672,278 S 12/2012 Kalbach  
D672,279 S 12/2012 Kalbach

D676,618 S 2/2013 Kalbach  
D677,188 S 3/2013 Kalbach  
D677,189 S 3/2013 Kalbach  
D677,842 S 3/2013 Kalbach  
D679,218 S 4/2013 Kalbach  
D681,504 S 5/2013 Kalbach  
8,584,915 B1 \* 11/2013 Wang ..... A45F 5/021  
224/197  
  
D699,144 S 2/2014 Kalbach

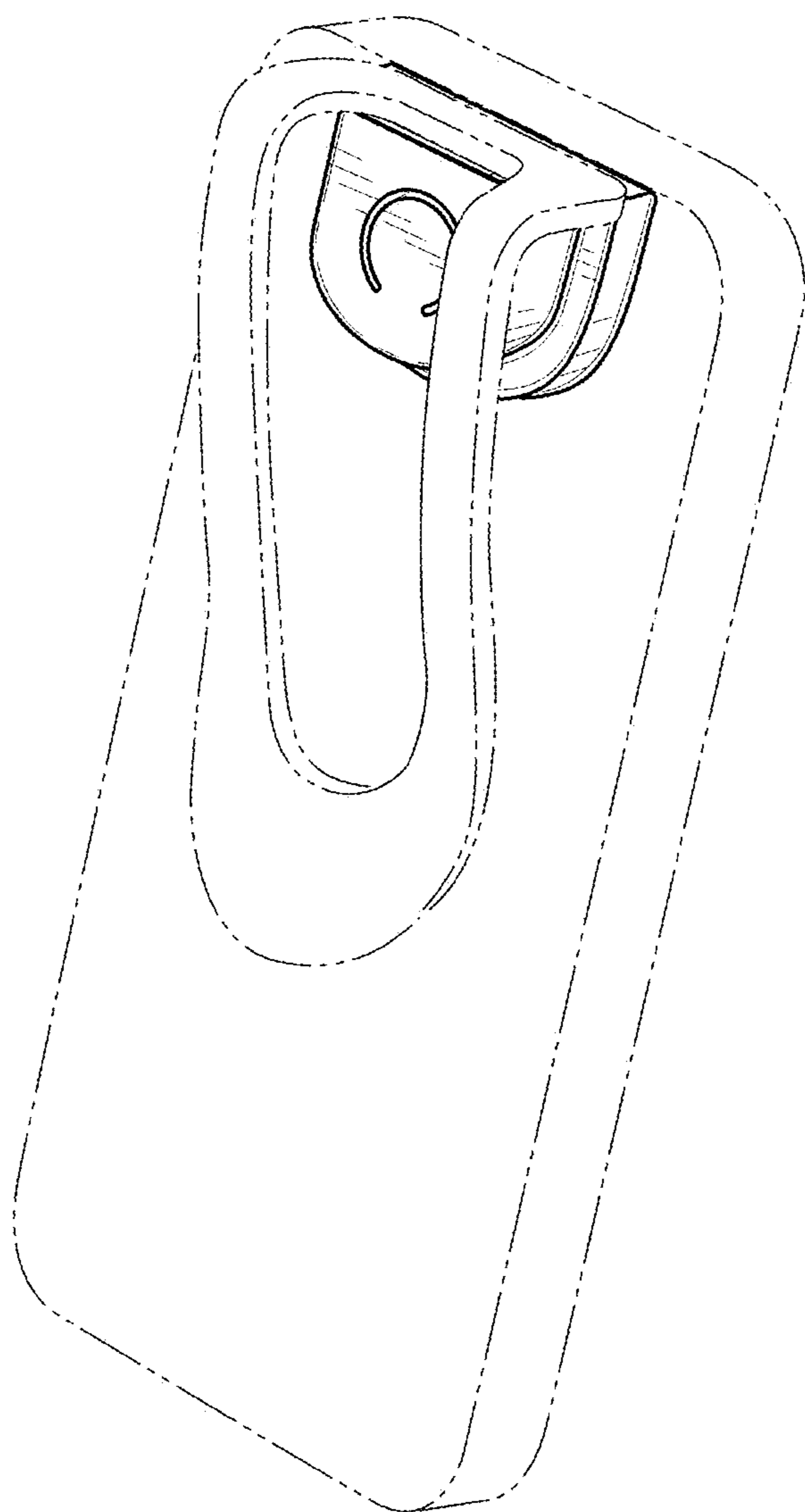
OTHER PUBLICATIONS

“SnugZ USA Catalog” Jan. 1, 2000.  
EK Ekcessories Catalog@ ASI Promotion Products, Jan. 1999.  
EK Ekcessories Catalog@ Jan. 1998.  
EK Ekcessories Pamphlet@ Industrial and Security, at least as early  
as Mar. 2002.  
EK Ekcessories, Inc. Product Catalog@ Aug. 1993, pp. 16 and 17.  
EK Keycessories Catalog@ at least as early as Mar. 2002.

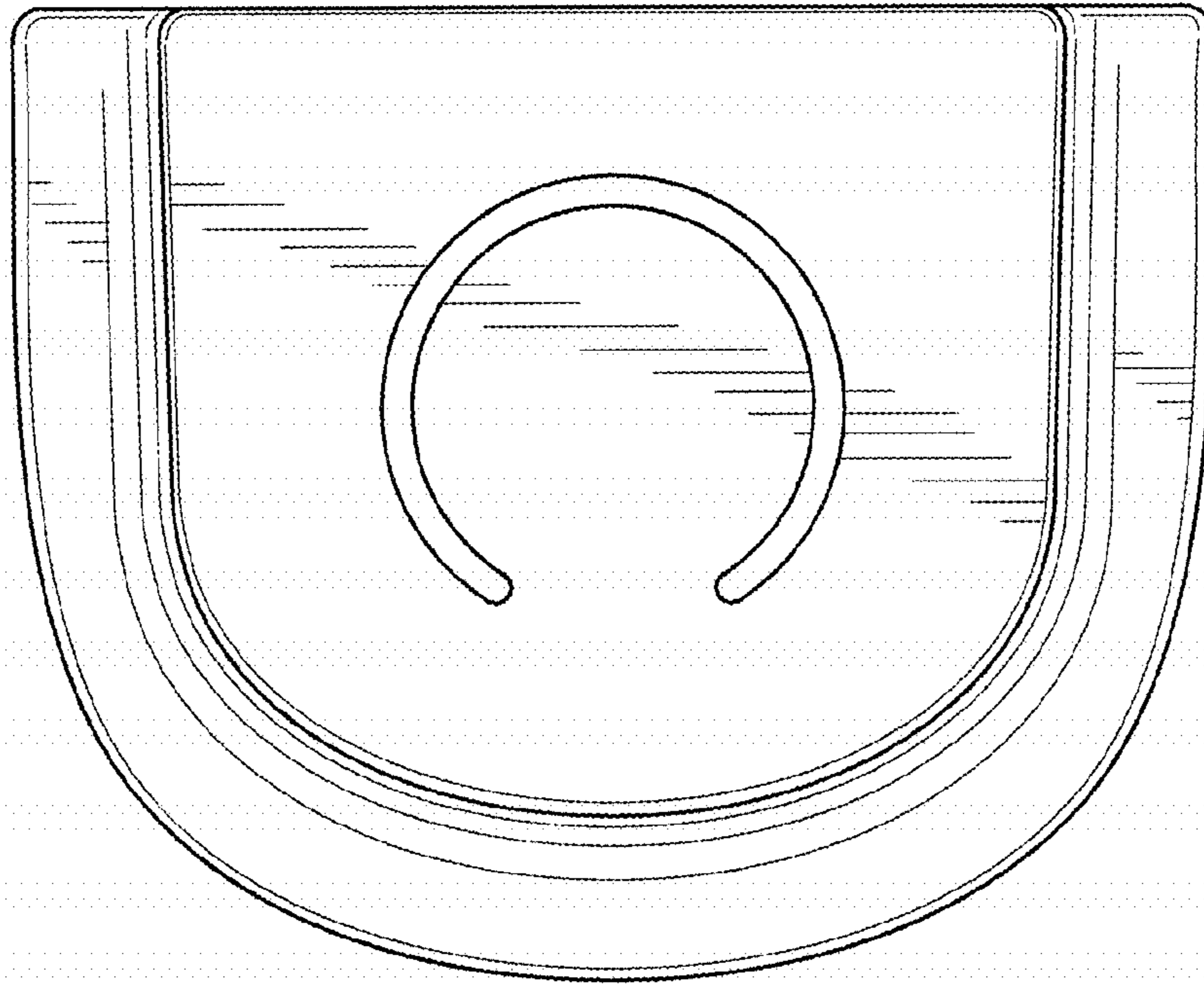
\* cited by examiner



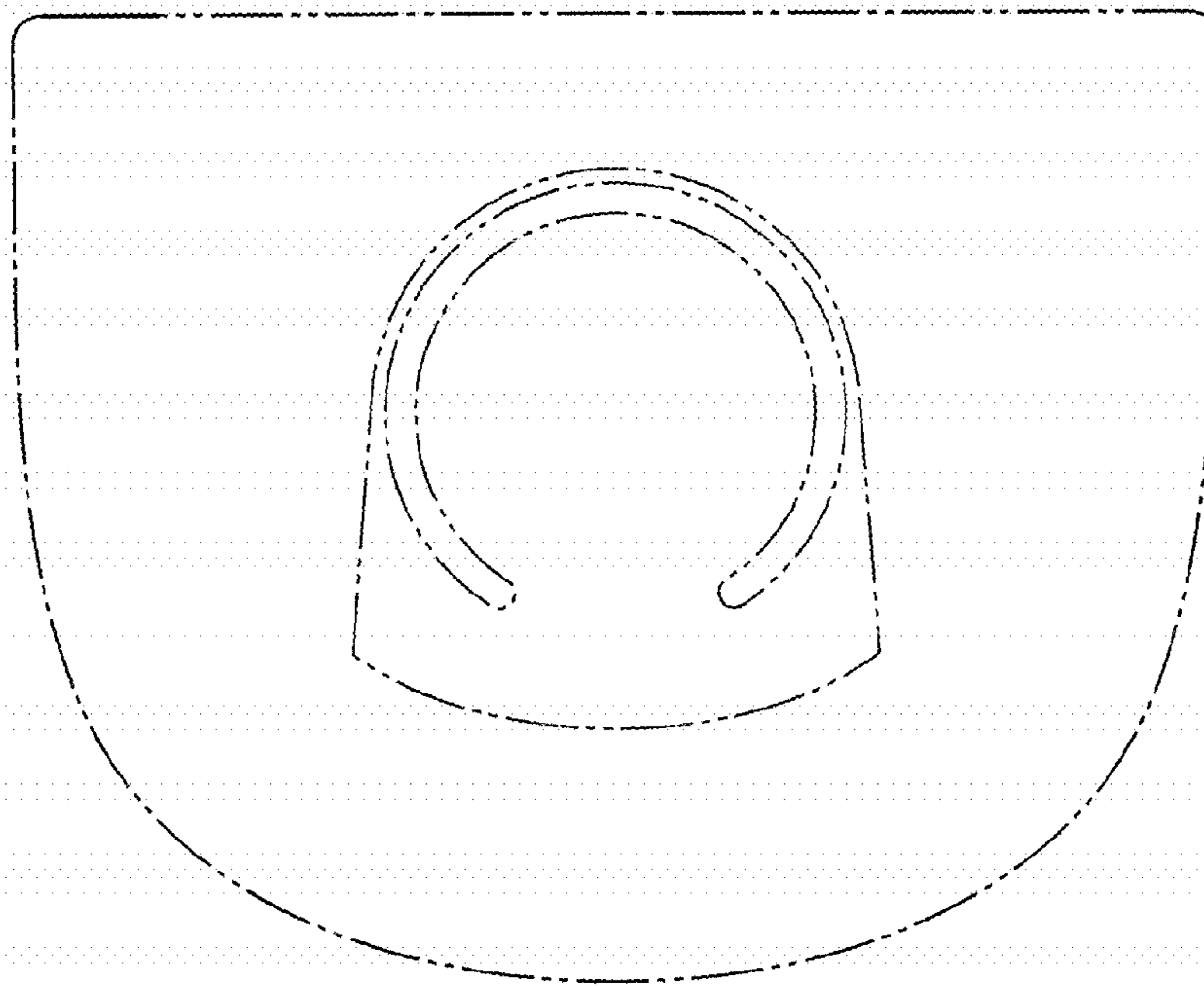
**FIG. 1**



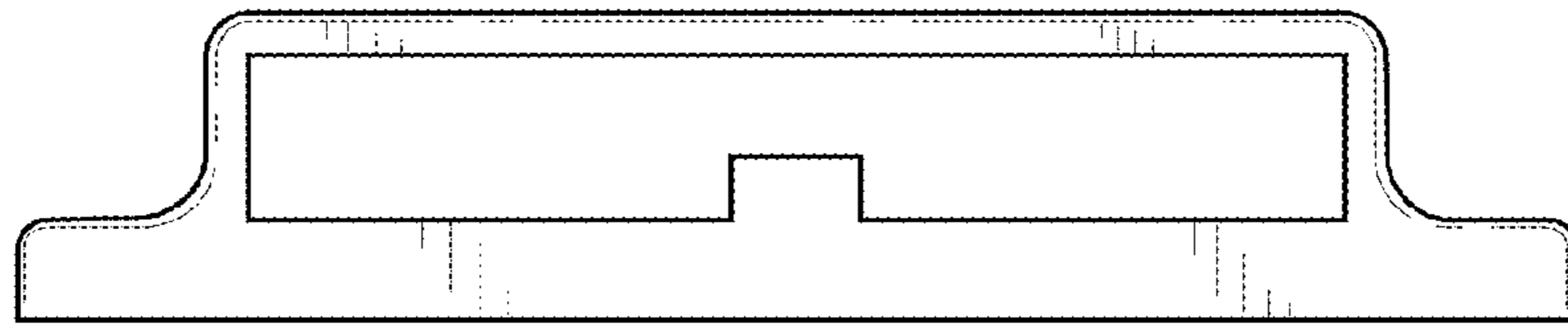
**FIG. 2**



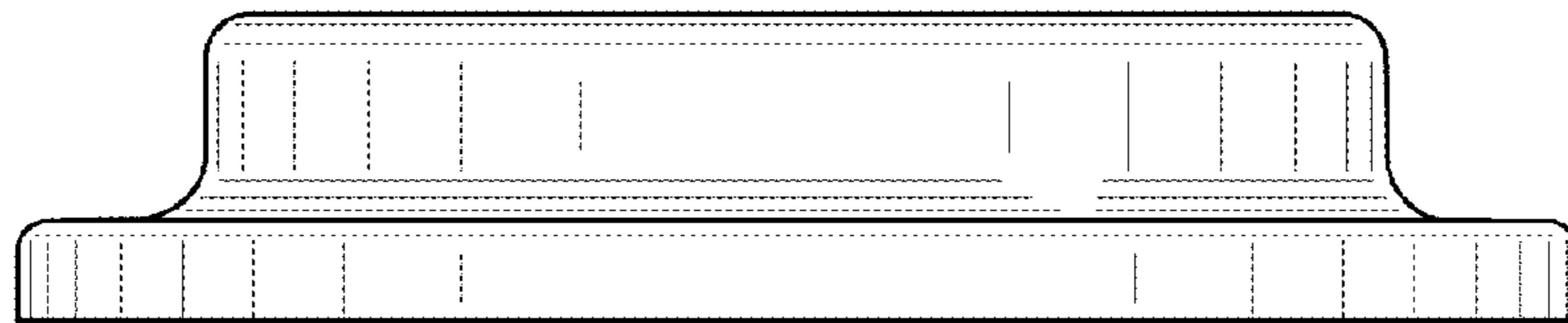
**FIG. 3**



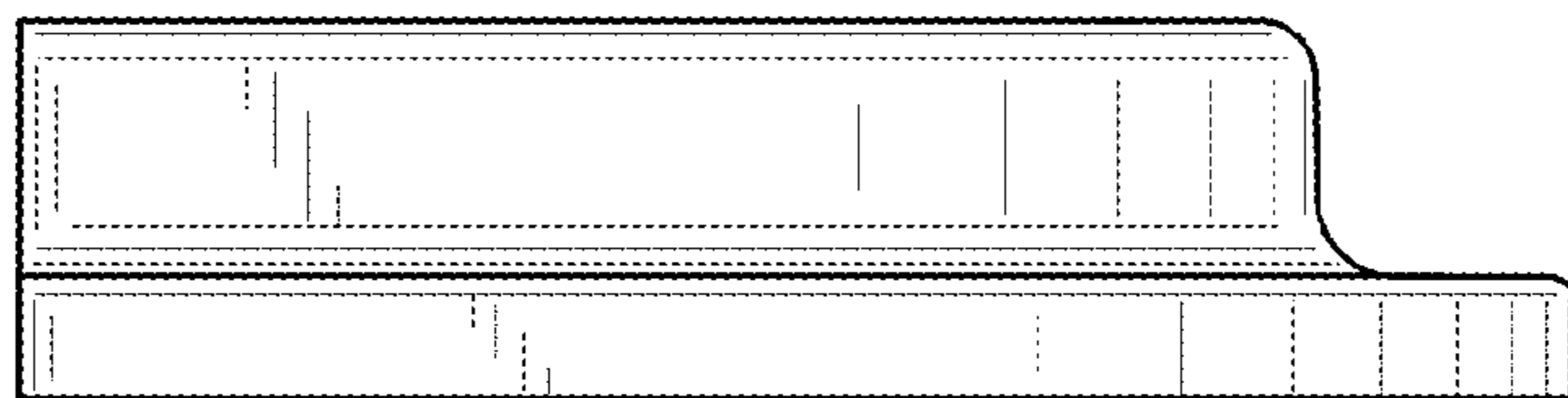
**FIG. 4**



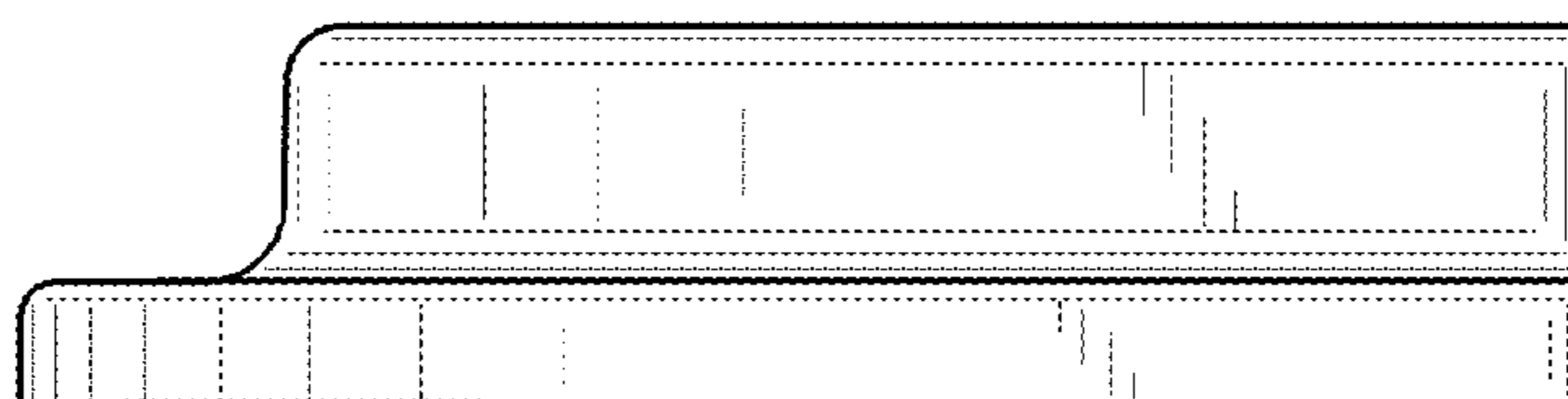
**FIG. 5**



**FIG. 6**



**FIG. 7**



**FIG. 8**