



US00D761550S

(12) **United States Design Patent**  
**Headley**

(10) **Patent No.:** **US D761,550 S**  
(45) **Date of Patent:** **\*\* Jul. 19, 2016**

- (54) **UMBRELLA HANDLE**
- (71) Applicant: **totes Isotoner Corporation**, Cincinnati, OH (US)
- (72) Inventor: **Ann S. Headley**, Cincinnati, OH (US)
- (73) Assignee: **totes Isotoner Corporation**, Cincinnati, OH (US)
- (\*\*) Term: **14 Years**
- (21) Appl. No.: **29/516,300**
- (22) Filed: **Jan. 30, 2015**
- (51) **LOC (10) Cl.** ..... **03-03**
- (52) **U.S. Cl.**  
USPC ..... **D3/12**
- (58) **Field of Classification Search**  
USPC ..... D3/5, 6, 10, 11, 12, 14, 16; D8/83, 300, D8/107, 312, 317; D5/1, 2, 54, 61, 63; D11/4, 6, 15  
CPC ..... A45B 25/02; A45B 25/143; A45B 19/04; A45B 25/24; A45B 9/02; B25B 7/00; B25G 1/105; B25G 1/102  
See application file for complete search history.

D194,952 S \* 4/1963 Patterson et al. .... D25/154  
3,336,696 A \* 8/1967 Jackson, Jr. .... A01G 5/00  
47/41.13

3,336,969 A 8/1967 Jackson, Jr.

(Continued)

**OTHER PUBLICATIONS**

Cabinet Hardware sample, exact publication date unknown, treat as published on or before Jan. 29, 2015.

(Continued)

*Primary Examiner* — John Windmuller

*Assistant Examiner* — Steven Czyz

(74) *Attorney, Agent, or Firm* — Rossi, Kimms & McDowell LLP

(57) **CLAIM**

The ornamental design for an umbrella handle, as shown and described.

**DESCRIPTION**

FIG. 1 is a perspective view of an umbrella handle showing a new design.

FIG. 2 is a front elevation view of the handle of FIG. 1.

FIG. 3 is a rear elevation view of the handle of FIG. 1.

FIG. 4 is a first side elevation view of the handle of FIG. 1.

FIG. 5 is a second side elevation view of the handle of FIG. 1, opposite to the first side elevation view of FIG. 4.

FIG. 6 is a top plan view of the handle of FIG. 1; and,

FIG. 7 is a bottom plan view of the handle of FIG. 1.

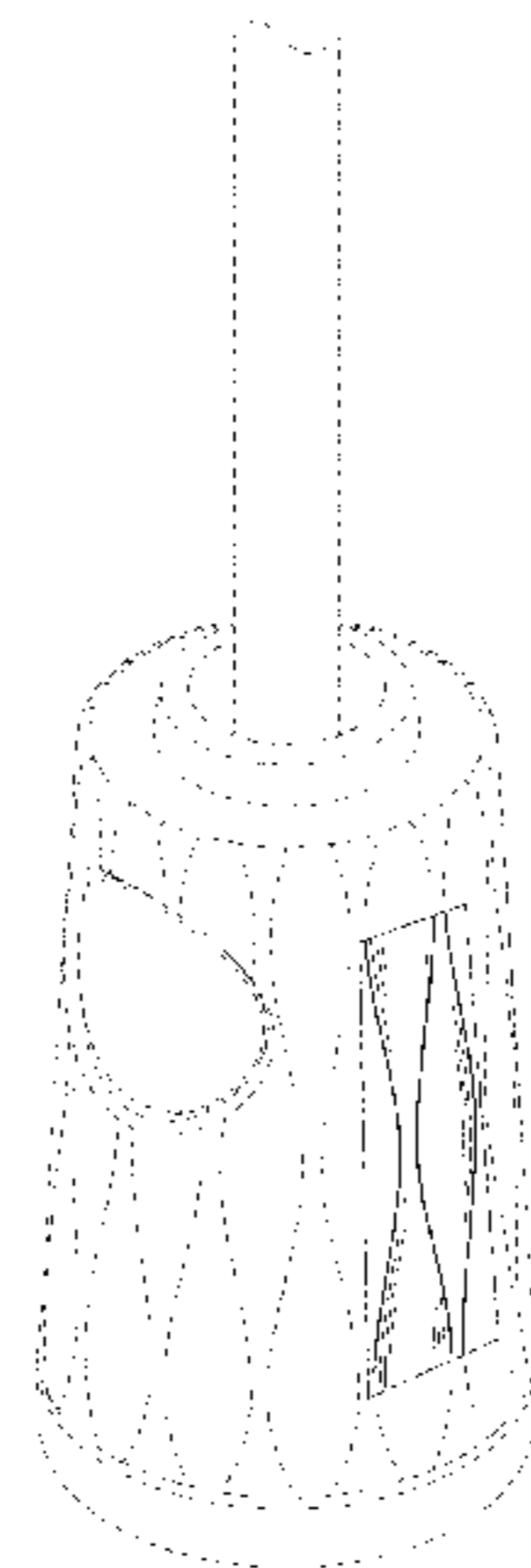
The evenly-spaced broken lines in the drawings are included for purpose of illustrating portions of the umbrella handle that form no part of the claimed design. The dot-dash-dot broken lines in the drawings are included for the purpose of defining the boundary of the claim, it being understood that the dot-dash-dot broken lines themselves form no part of the claimed design. The defined boundary represents a repeatable unit of the claimed design.

**1 Claim, 4 Drawing Sheets**

(56) **References Cited**

**U.S. PATENT DOCUMENTS**

- D4,229 S \* 7/1870 Jennings et al. .... D5/54
- 418,167 A \* 12/1889 Copelin et al. .... B25B 15/04  
16/430
- 668,668 A \* 2/1901 White et al. .... E04F 13/04  
52/670
- 980,638 A \* 1/1911 Hill et al. .... B21D 31/043  
29/6.2
- 1,026,301 A \* 5/1912 Caldwell et al. .... E04C 5/04  
52/581
- 1,318,952 A \* 10/1919 Arey et al. .... B21D 31/043  
29/6.2
- 2,373,931 A \* 4/1945 Upham ..... B03B 5/06  
209/458
- 2,828,843 A \* 4/1958 Hill ..... B21D 31/043  
52/180



(56)

**References Cited**

U.S. PATENT DOCUMENTS

4,856,140 A \* 8/1989 Visco ..... E03D 9/00  
 150/155  
 4,895,044 A \* 1/1990 Ekins ..... B62K 21/26  
 16/421  
 D316,630 S \* 5/1991 Cain ..... D3/12  
 D316,777 S \* 5/1991 Cain ..... D3/12  
 D321,428 S \* 11/1991 Cain ..... D3/12  
 D321,780 S \* 11/1991 Cain ..... D3/12  
 D321,781 S \* 11/1991 Cain ..... D3/12  
 D321,782 S \* 11/1991 Cain ..... D3/12  
 D341,944 S \* 12/1993 Peter ..... D5/53  
 D433,794 S \* 11/2000 San ..... D3/12  
 6,153,277 A \* 11/2000 Chang ..... B62J 1/18  
 16/430  
 D485,056 S \* 1/2004 Headley ..... D3/12  
 D496,469 S \* 9/2004 Griffith ..... D25/100  
 D551,845 S \* 10/2007 Headley ..... D3/12  
 D552,341 S \* 10/2007 Headley ..... D3/12

D589,247 S \* 3/2009 Headley ..... D3/12  
 D648,933 S \* 11/2011 Roher ..... D3/12  
 D659,379 S \* 5/2012 Headley ..... D3/12  
 D670,901 S \* 11/2012 Rothbucher ..... D3/10  
 D677,878 S \* 3/2013 Headley ..... D3/12  
 D692,652 S \* 11/2013 Headley ..... D3/12  
 D705,098 S \* 5/2014 Brooking ..... D10/56  
 D714,966 S \* 10/2014 Martin ..... D25/138  
 D729,510 S \* 5/2015 Headley ..... D3/12  
 D734,021 S \* 7/2015 Kerr ..... D3/12  
 2008/0156139 A1 \* 7/2008 Lai ..... B62K 21/26  
 74/551.9  
 2009/0255093 A1 \* 10/2009 Hsu ..... B25G 1/01  
 16/421

OTHER PUBLICATIONS

US Office Action, dated Nov. 27, 2015, for U.S. Appl. No. 29/516,293, 11 pgs.

\* cited by examiner

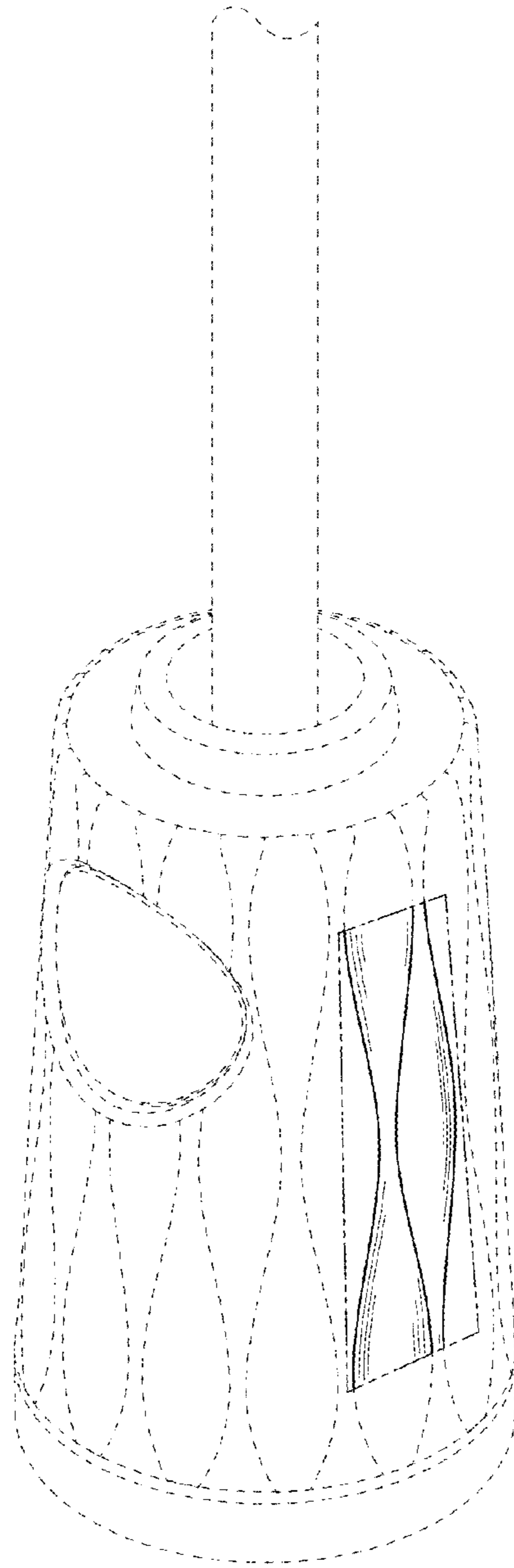


FIG. 1

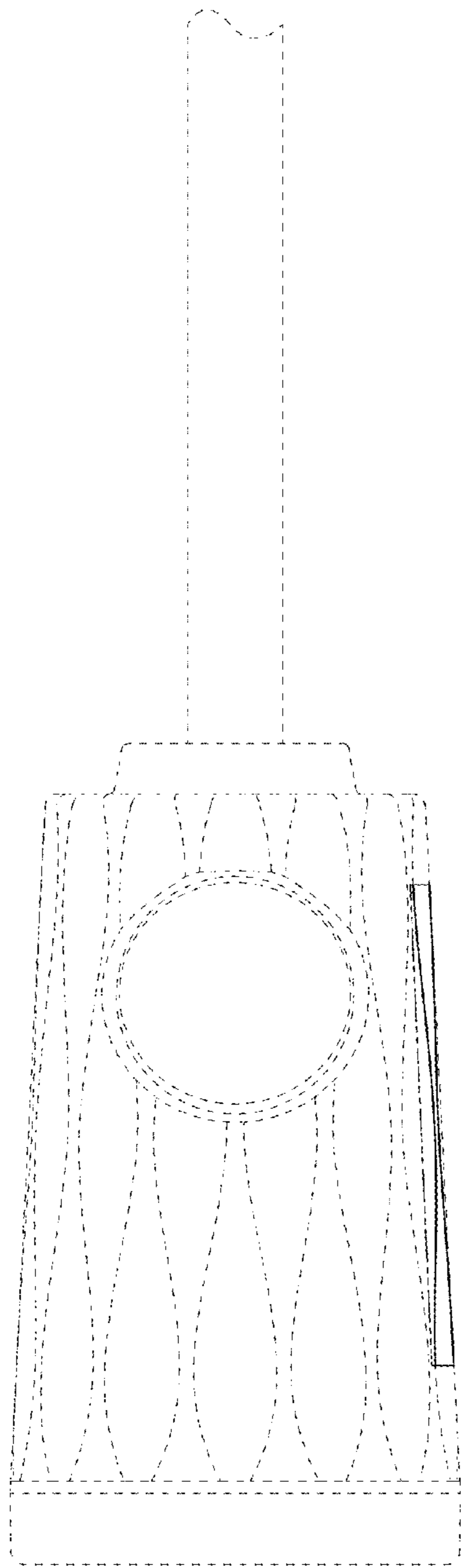


FIG. 2

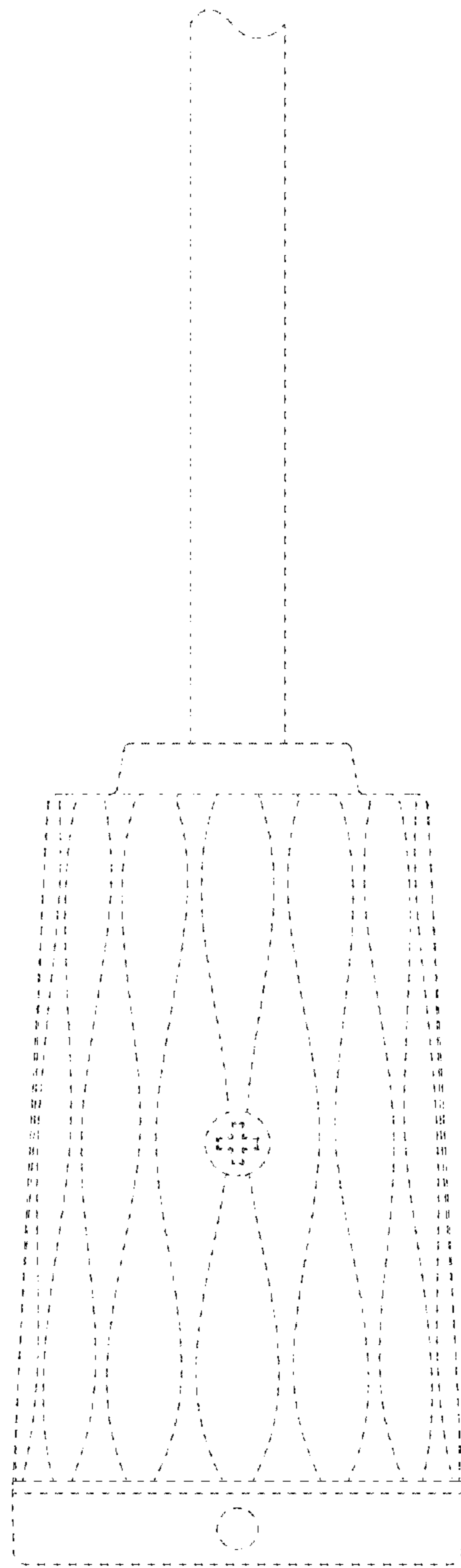


FIG. 3

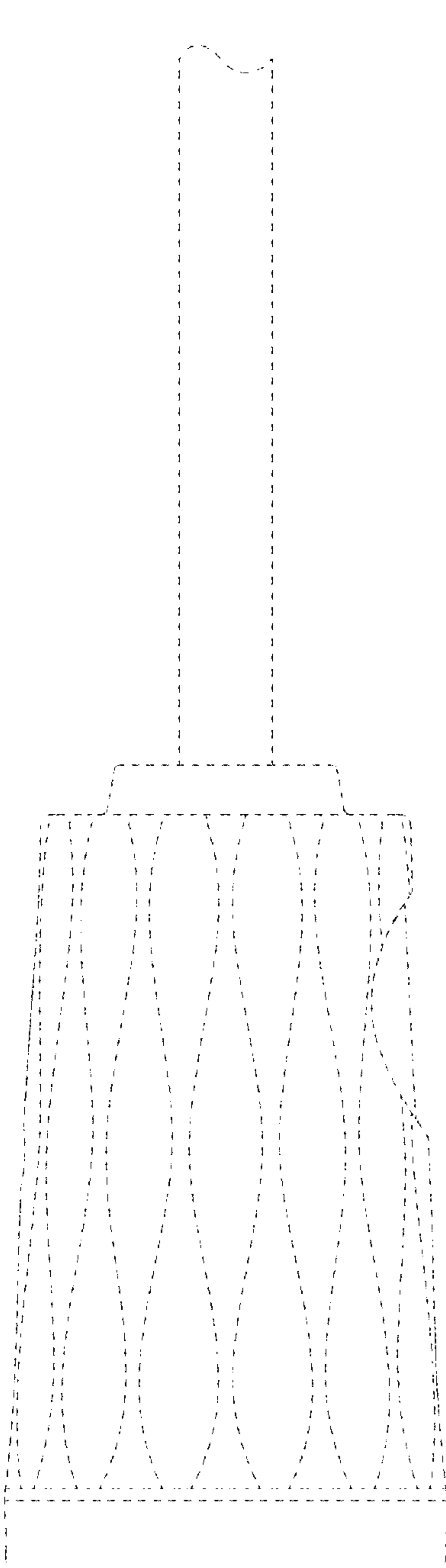


FIG. 4

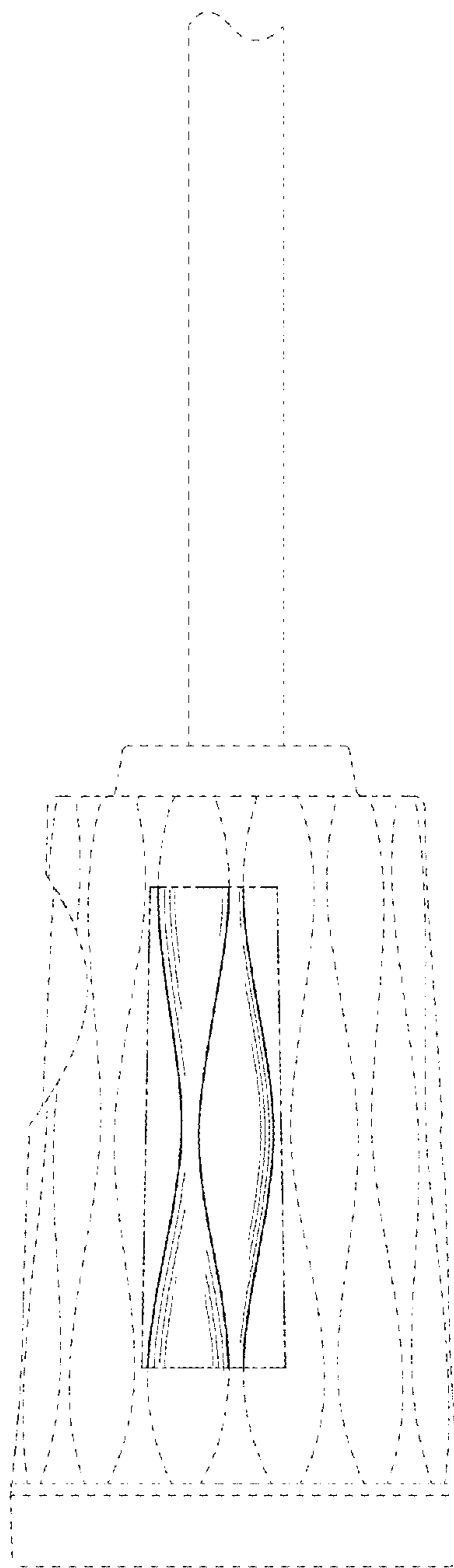


FIG. 5

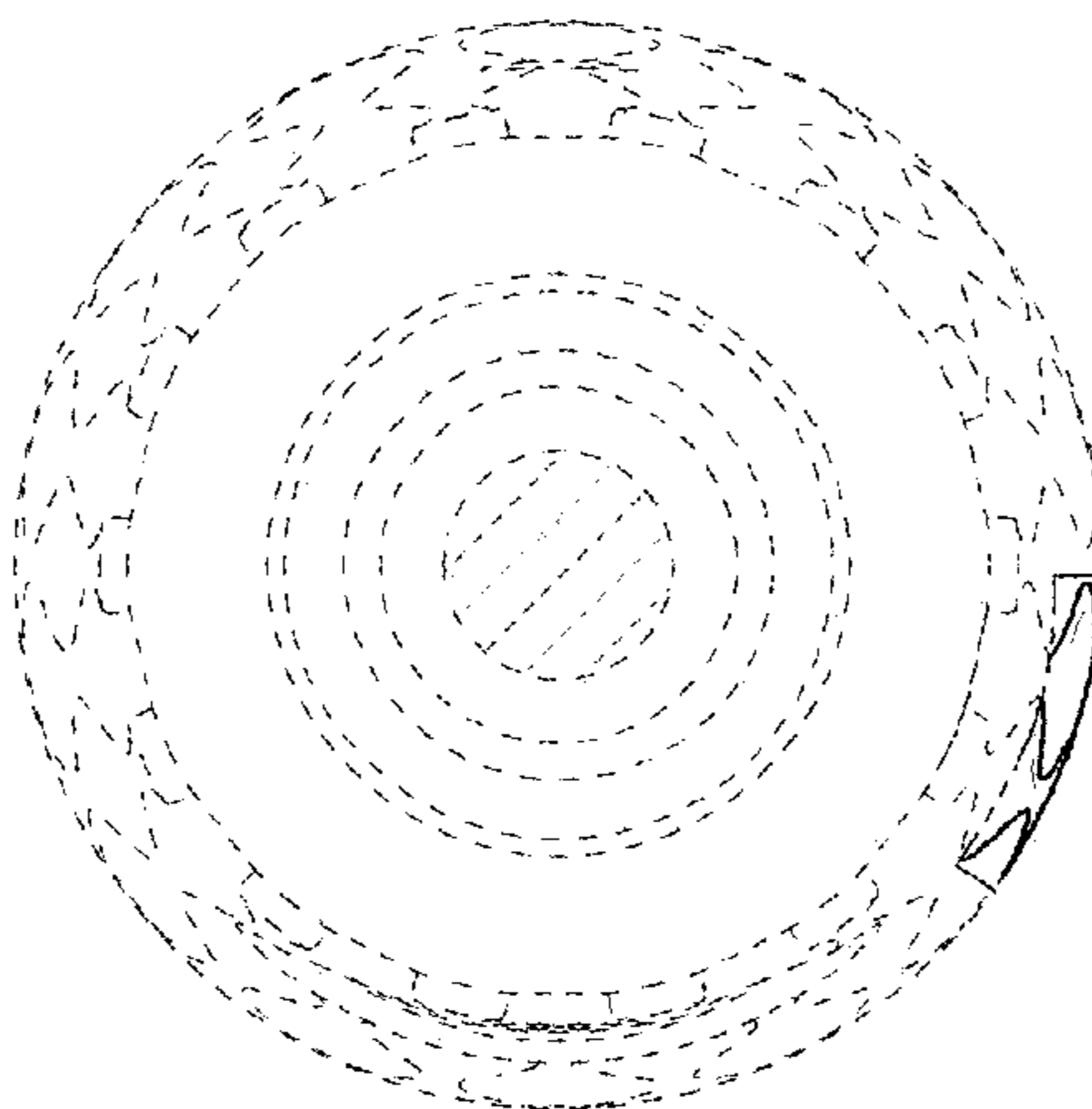


FIG. 6

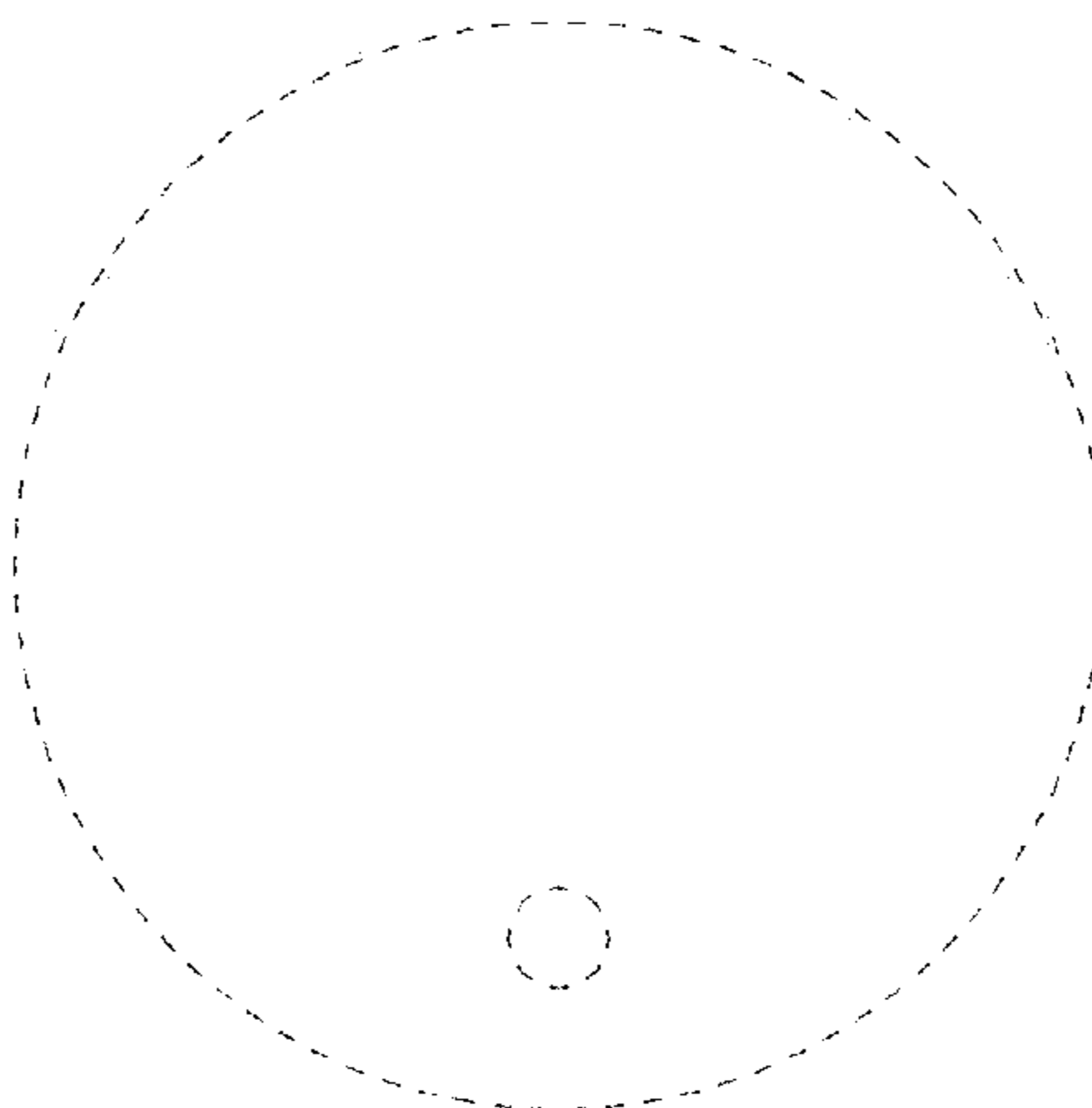


FIG. 7