

US00D761548S

(12) **United States Design Patent**  
**Elliott**

(10) **Patent No.:** **US D761,548 S**  
(45) **Date of Patent:** **\*\* Jul. 19, 2016**

- (54) **TUBING WALKER**
- (71) Applicant: **Rand Elliott**, Oklahoma City, OK (US)
- (72) Inventor: **Rand Elliott**, Oklahoma City, OK (US)
- (\*\*) Term: **14 Years**
- (21) Appl. No.: **29/518,284**
- (22) Filed: **Feb. 22, 2015**
- (51) **LOC (10) Cl.** ..... **03-03**
- (52) **U.S. Cl.**  
USPC ..... **D3/7**
- (58) **Field of Classification Search**  
USPC ..... D3/5-17; D12/128-133; D21/673, 686,  
D21/690, 694; D6/329, 681; D25/35, 58,  
D25/38.1, 48.8, 48.4  
CPC ..... A45B 9/00; A45B 2/00; A45B 9/02;  
A45B 9/04; B62B 7/08; B62B 7/12; B62B  
2205/06; E04B 1/19; E04B 2001/1927;  
E04C 3/34; E04C 2003/0421; E04G 1/14;  
A47D 13/043  
See application file for complete search history.

- 3,273,888 A \* 9/1966 Burns ..... A61H 3/04  
297/5
- D208,607 S \* 9/1967 Willaims et al. .... 135/67
- D213,815 S \* 4/1969 Smith et al. .... D3/9
- D213,816 S \* 4/1969 Smith et al. .... D3/9
- 3,580,569 A \* 5/1971 Wilson ..... A63B 21/00047  
482/23
- D240,653 S \* 7/1976 Eftekhar et al. .... D26/80
- 4,064,999 A \* 12/1977 Young ..... E04F 21/1811  
182/141
- D271,254 S \* 11/1983 Morris ..... D3/5
- D315,702 S \* 3/1991 Van Dyke ..... D12/133
- 5,010,909 A \* 4/1991 Cleveland ..... E04H 15/001  
135/119
- 5,058,357 A \* 10/1991 Newsom ..... E04C 1/40  
52/328
- 5,058,912 A \* 10/1991 Harroun ..... A61H 3/04  
135/67
- D324,450 S \* 3/1992 Pugh ..... D3/10
- D326,172 S \* 5/1992 Biesele ..... D3/10
- D345,835 S \* 4/1994 Tanner ..... D34/5
- D345,855 S \* 4/1994 Greenway ..... D3/6
- D364,273 S \* 11/1995 Miller, Jr. .... D3/318

(Continued)

*Primary Examiner* — John Windmuller

*Assistant Examiner* — Steven Czyn

(74) *Attorney, Agent, or Firm* — Crowe & Dunlevy, P.C.

(56) **References Cited**

U.S. PATENT DOCUMENTS

- 1,727,969 A \* 9/1929 Evans ..... A61H 3/00  
482/68
- 2,556,121 A \* 6/1951 Thomas ..... A61G 5/10  
280/304.1
- D181,957 S \* 1/1958 Callahan et al. .... 297/5
- 2,839,320 A \* 6/1958 Hill ..... E04G 7/02  
135/909
- 2,841,159 A \* 7/1958 Graham ..... E04H 15/001  
135/117
- 3,176,700 A \* 4/1965 Drury, Jr. .... A61H 3/00  
135/67
- 3,195,550 A \* 7/1965 Ingalls ..... A61H 3/04  
135/67
- 3,199,521 A \* 8/1965 Ries ..... A61H 3/00  
135/67

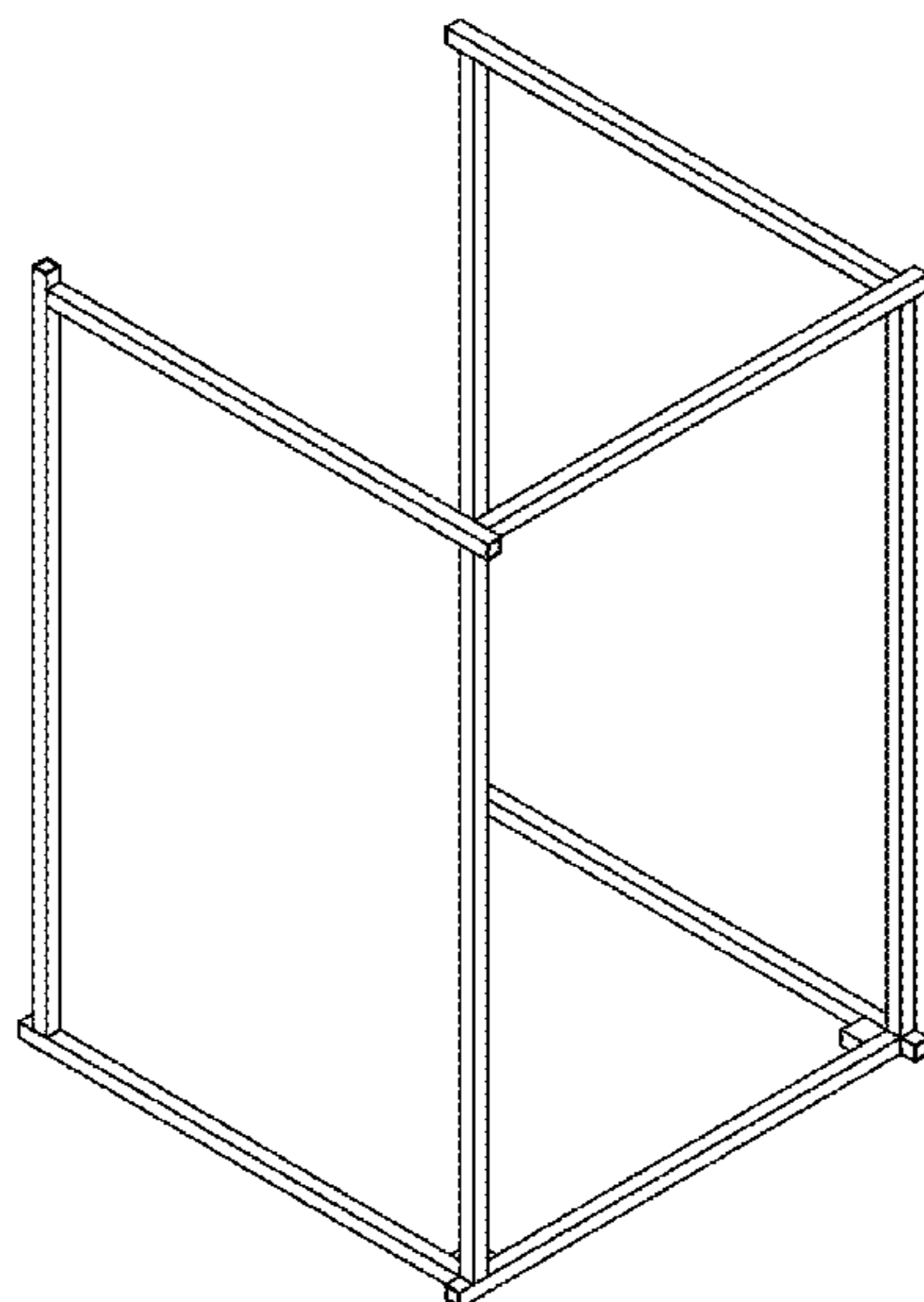
(57) **CLAIM**

The ornamental design for a tubing walker, as shown and described.

**DESCRIPTION**

FIG. 1 is a front perspective view of a tubing walker showing my new design;  
 FIG. 2 is a front view thereof;  
 FIG. 3 is a top view thereof;  
 FIG. 4 is a bottom view thereof;  
 FIG. 5 is a rear view thereof;  
 FIG. 6 is a right side view thereof; and,  
 FIG. 7 is a left side view thereof.

**1 Claim, 3 Drawing Sheets**



(56)

References Cited

U.S. PATENT DOCUMENTS

5,689,929	A *	11/1997	Newsom	.....	E04B 2/00	211/188				
D389,632	S *	1/1998	Reddin	.....	D34/6					
5,740,825	A *	4/1998	Brunengo	.....	A61H 3/00	135/67				
6,213,058	B1 *	4/2001	Byl	.....	A01K 1/0613	119/843				
D509,548	S *	9/2005	Heitzman	.....	D21/662					
6,948,727	B1 *	9/2005	Bakken	.....	A61H 3/04	135/67				
7,266,933	B2 *	9/2007	Pasek	.....	E04B 9/006	248/454				
D564,949	S	3/2008	Nakagawa							
D568,550	S *	5/2008	Totty	.....	D30/158					
D569,312	S	5/2008	Cowie							
D620,279	S *	7/2010	Lebon, III	.....	D6/681.1					
D636,709	S	4/2011	Cho							
8,166,988	B1 *	5/2012	Martin	.....	A61H 3/04	135/66				
D686,287	S *	7/2013	Boatwright	.....	D21/686					
D694,349	S *	11/2013	Chen	.....	D21/686					
8,596,015	B2 *	12/2013	Coon	.....	E05B 73/00	248/354.1				
8,597,162	B2 *	12/2013	Amonette	.....	A61H 3/008	482/66				
D700,872	S	3/2014	Mograbi et al.							
8,893,443	B2 *	11/2014	Davis	.....	B62B 3/02	182/150				
2004/0000117	A1 *	1/2004	Schipani	.....	A47F 5/13	52/636				
2013/0036702	A1 *	2/2013	Pacetti	.....	E04H 1/1205	52/653.2				
2014/0031176	A1 *	1/2014	Knopow	.....	A61H 3/04	482/68				

\* cited by examiner

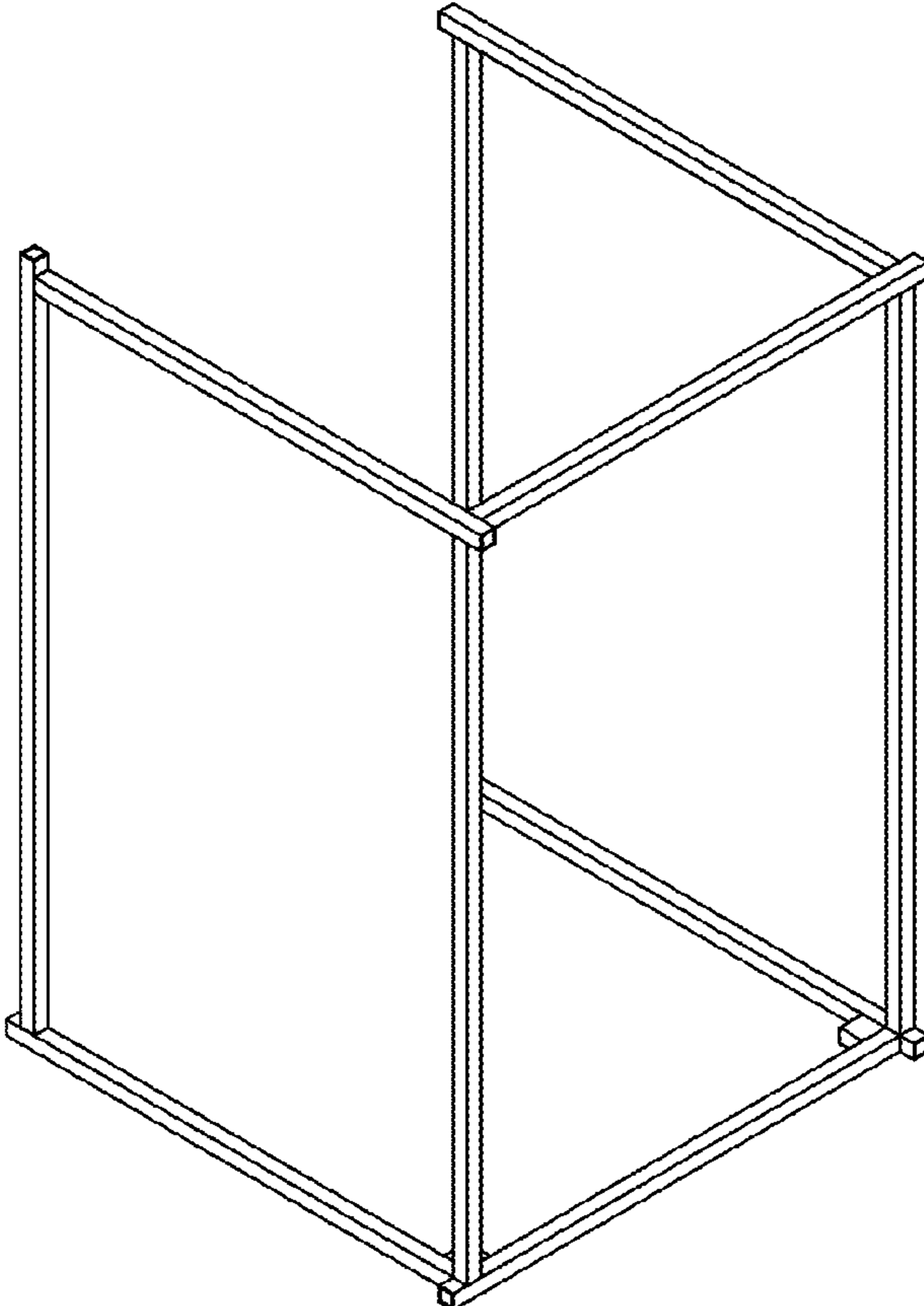


FIG. 1

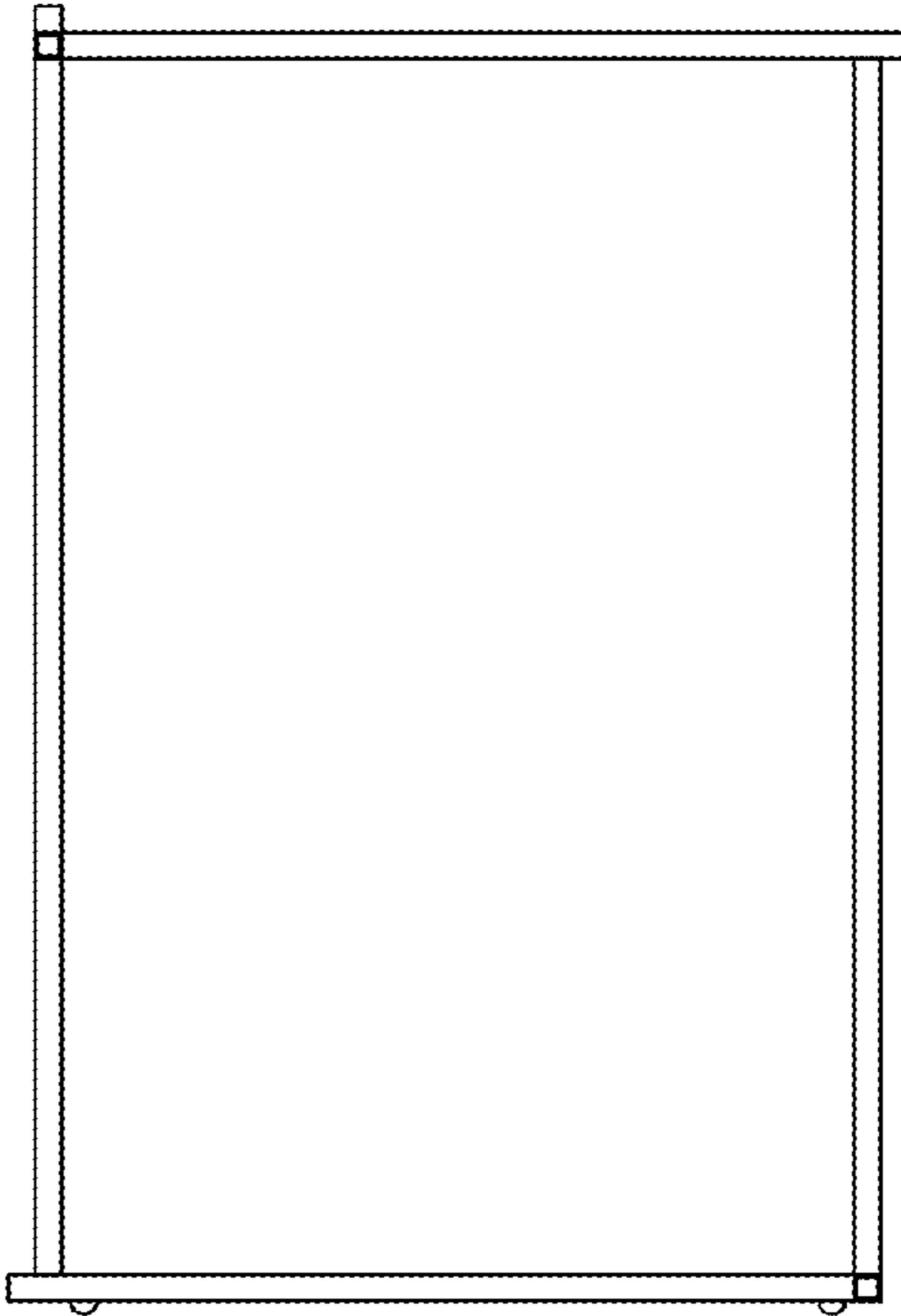


FIG. 2

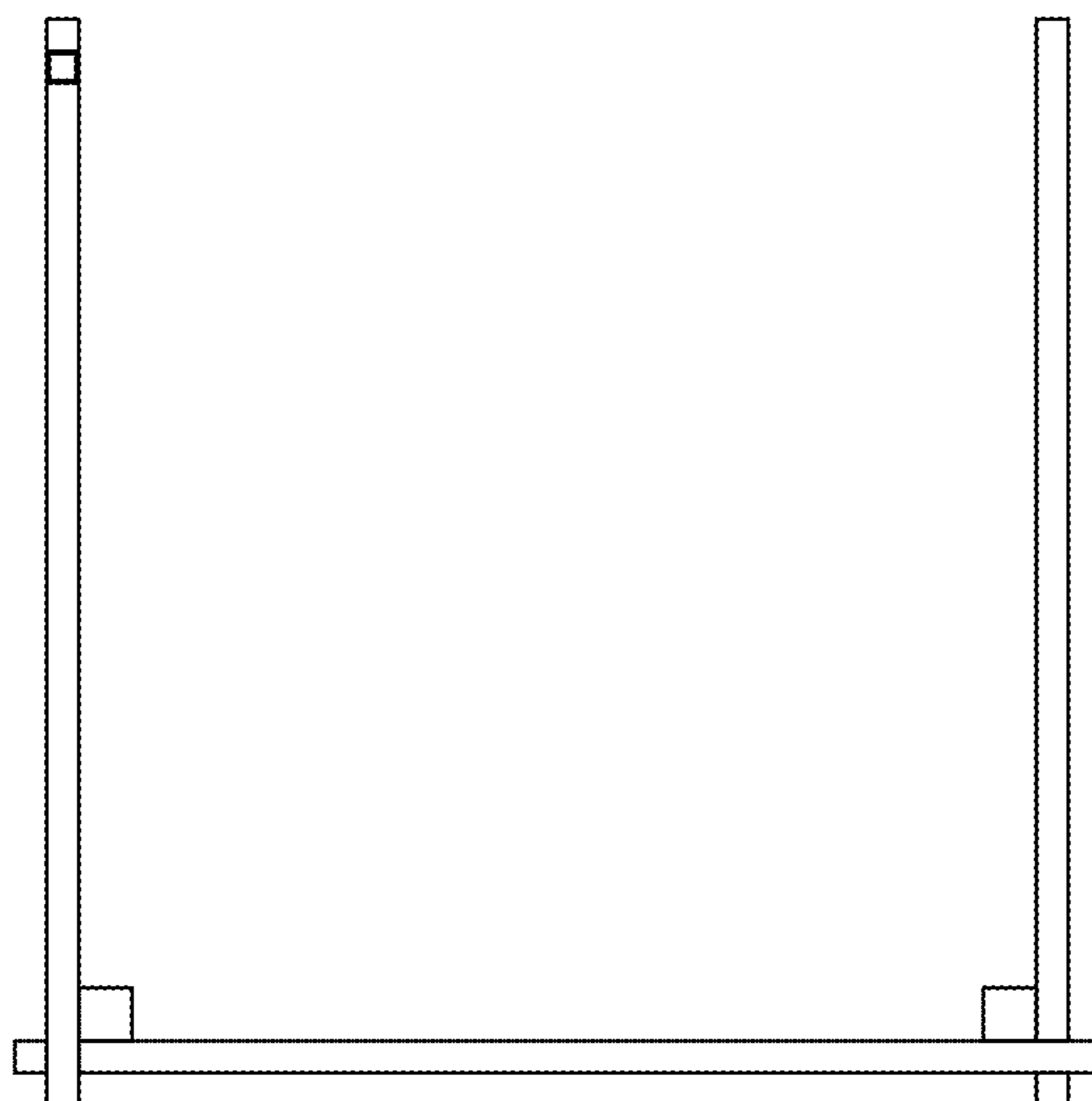


FIG. 3

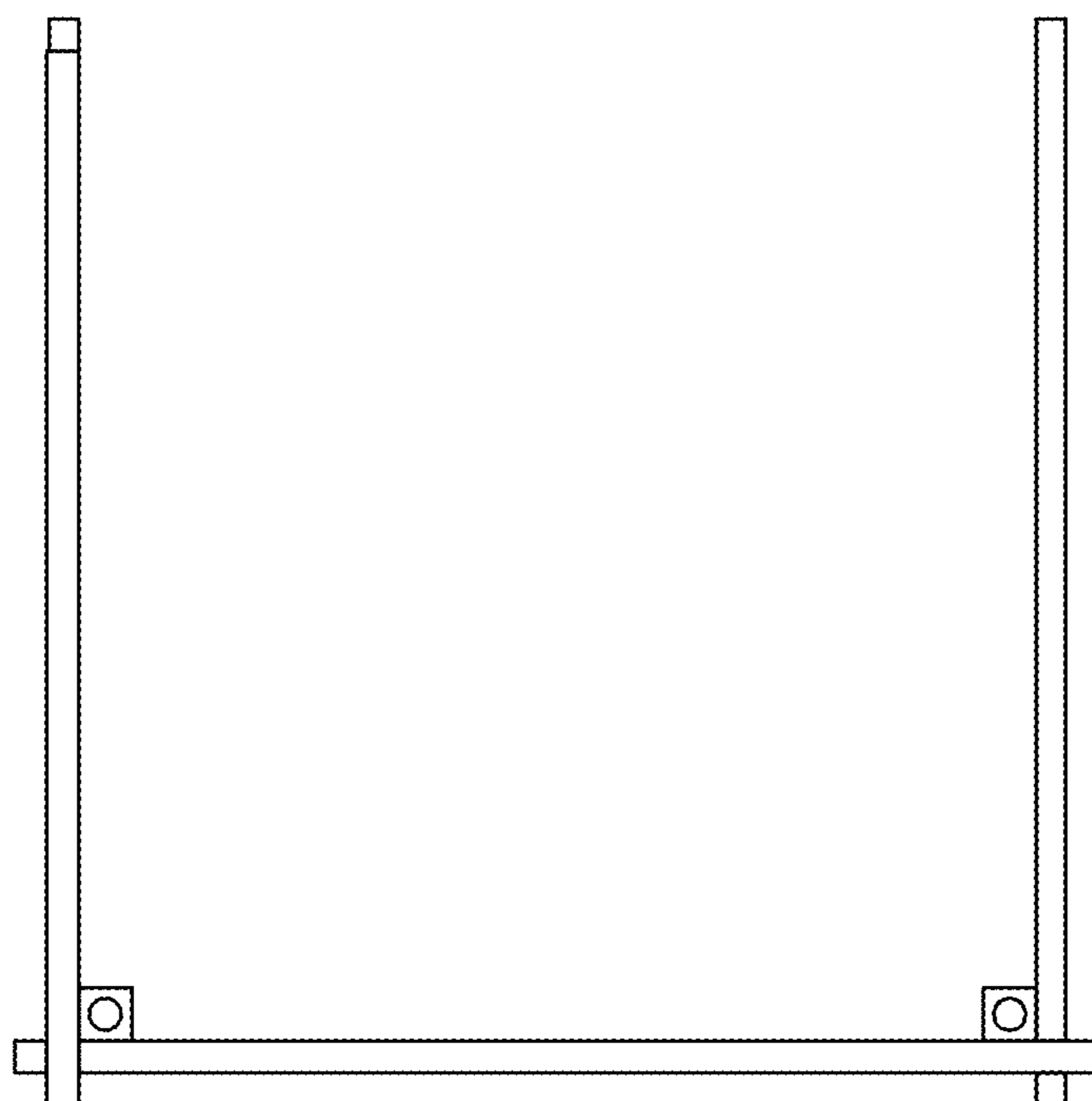


FIG. 4

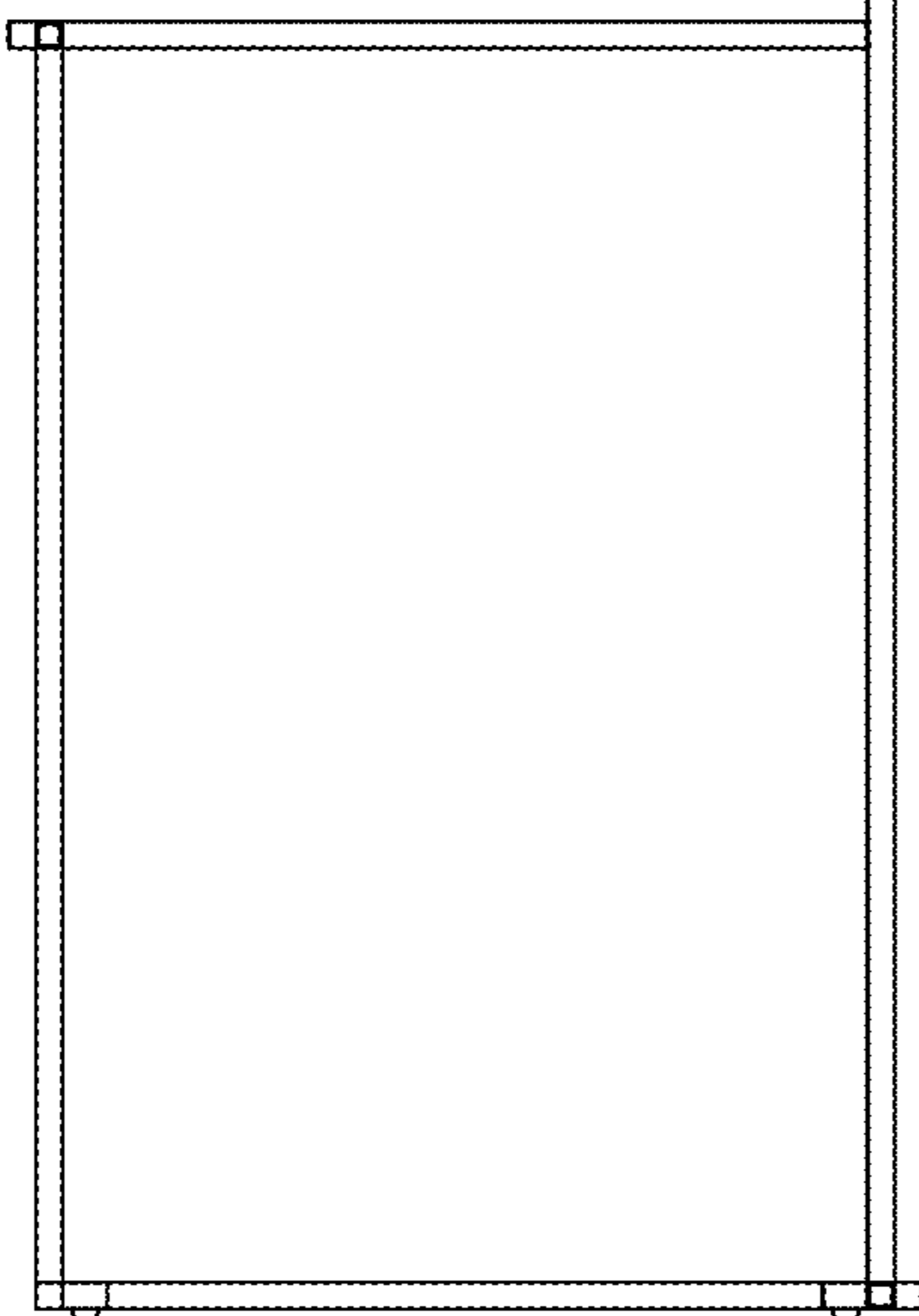


FIG. 5

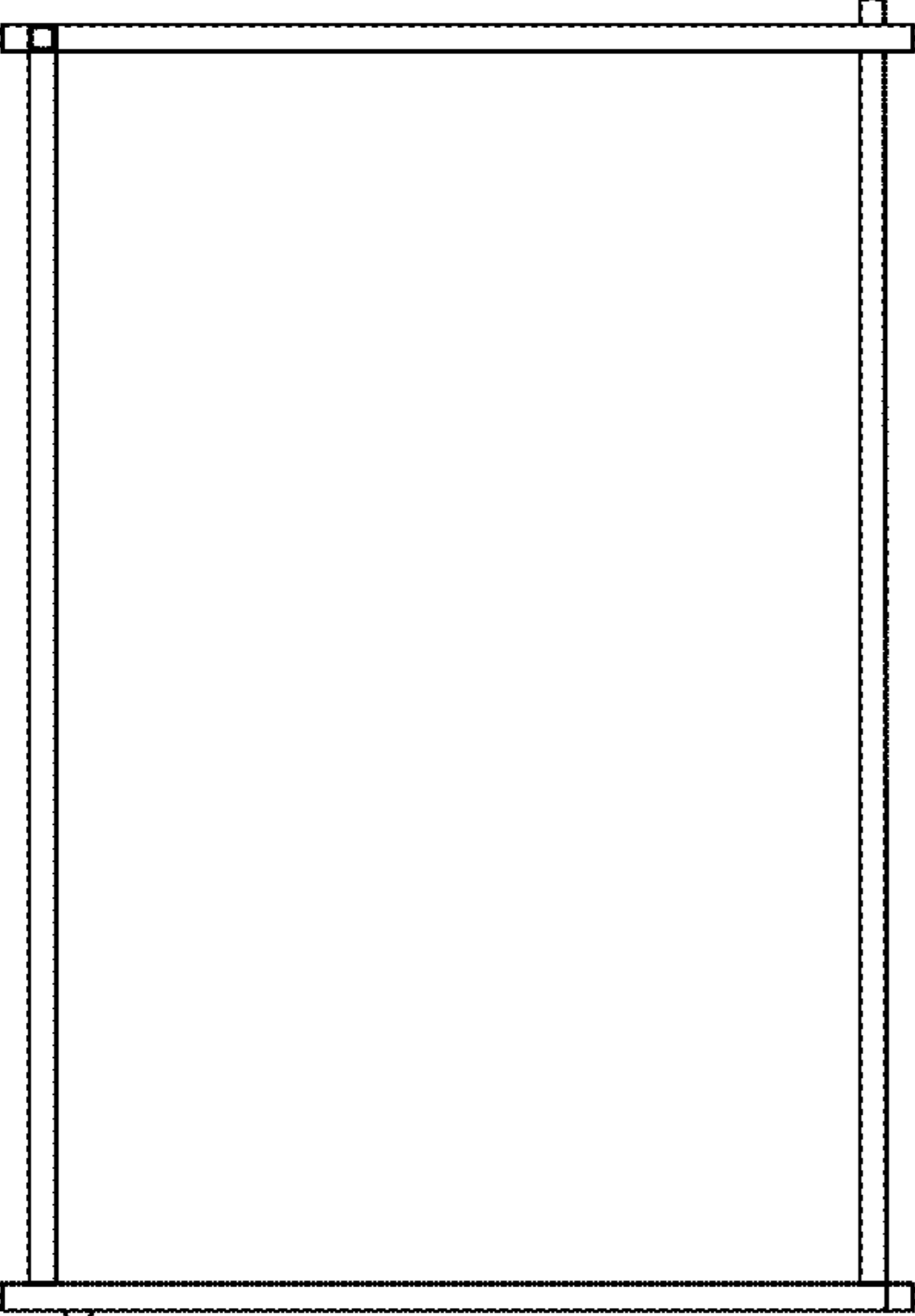


FIG. 6

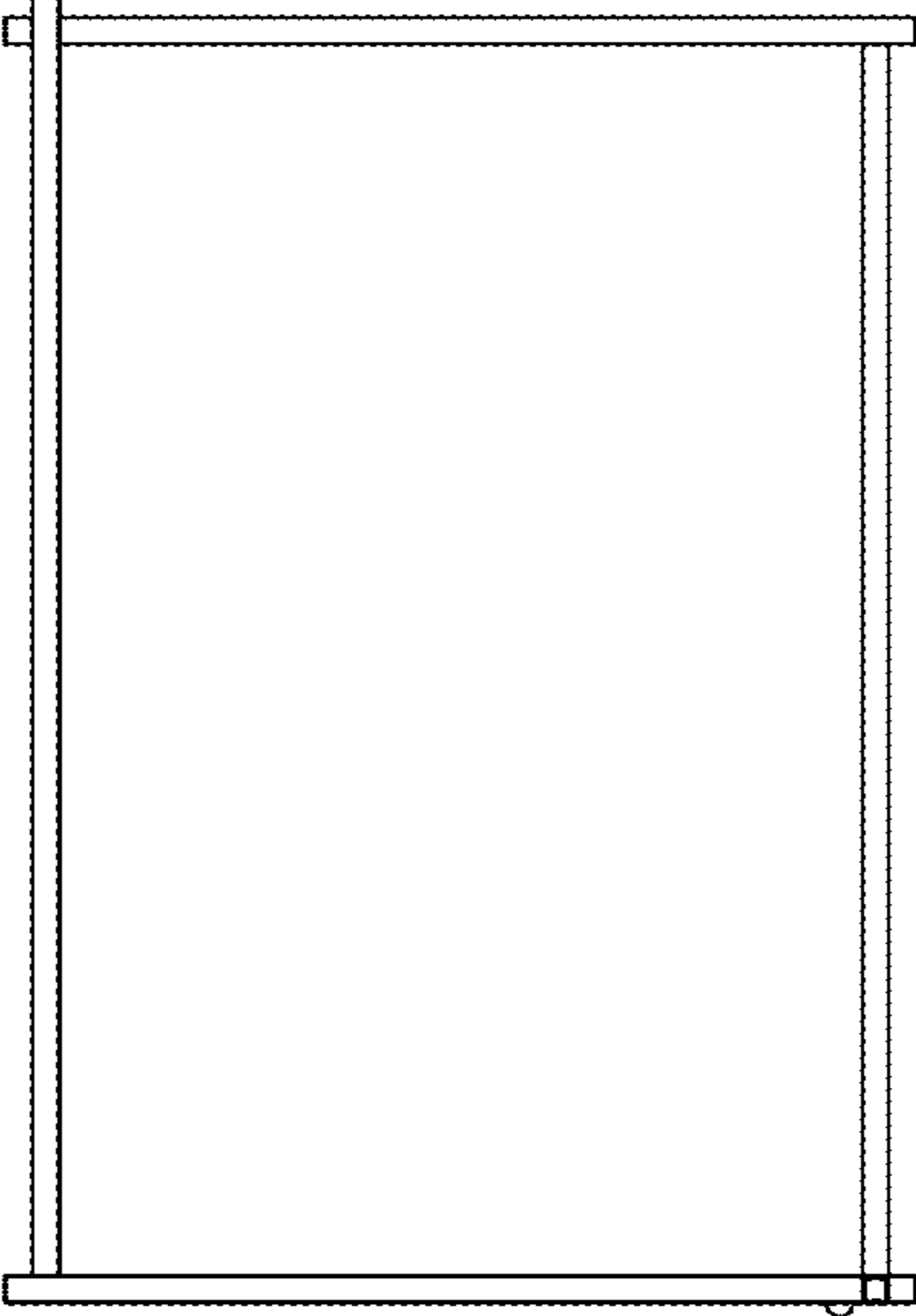


FIG. 7