



US00D761547S

(12) **United States Design Patent**  
**Breit**

(10) **Patent No.:** **US D761,547 S**  
(45) **Date of Patent:** **\*\* Jul. 19, 2016**

(54) **GOLF SHOE ATTACHMENT**

(71) Applicant: **Connor Brandon Smith**, Grimsby (CA)

(72) Inventor: **Harold Breit**, Grimsby (CA)

(73) Assignee: **Connor Brandon Smith**, Grimsby (CA)

(\*\*) Term: **14 Years**

(21) Appl. No.: **29/516,157**

(22) Filed: **Jan. 29, 2015**

(51) **LOC (10) Cl.** ..... **02-99**

(52) **U.S. Cl.**  
USPC ..... **D2/976**

(58) **Field of Classification Search**

USPC ..... D2/896, 897, 946, 976; D21/319, 358,  
D21/708, 733, 759, 789; D29/116.2, 122  
CPC ..... A43B 3/00; A43B 3/0036; A43B 3/0078;  
A43B 23/24; A43B 5/00; A43B 5/001;  
A43B 11/00; A43B 23/00

See application file for complete search history.

(56) **References Cited**

**U.S. PATENT DOCUMENTS**

4,766,682 A \* 8/1988 Malloy, III ..... A43B 3/0078  
36/132  
D352,384 S \* 11/1994 Robinson ..... D2/898  
D376,472 S \* 12/1996 Hatfield ..... D2/976  
D402,340 S \* 12/1998 Sheets ..... D21/733

(Continued)

**OTHER PUBLICATIONS**

Foot Wedge website: [www.golfun.net/foot\\_wedge.htm](http://www.golfun.net/foot_wedge.htm); Dec. 8, 2004.

*Primary Examiner* — Elizabeth J Oswecki

(74) *Attorney, Agent, or Firm* — Jonathan M. D'Silva; MMI Intellectual Property

(57) **CLAIM**

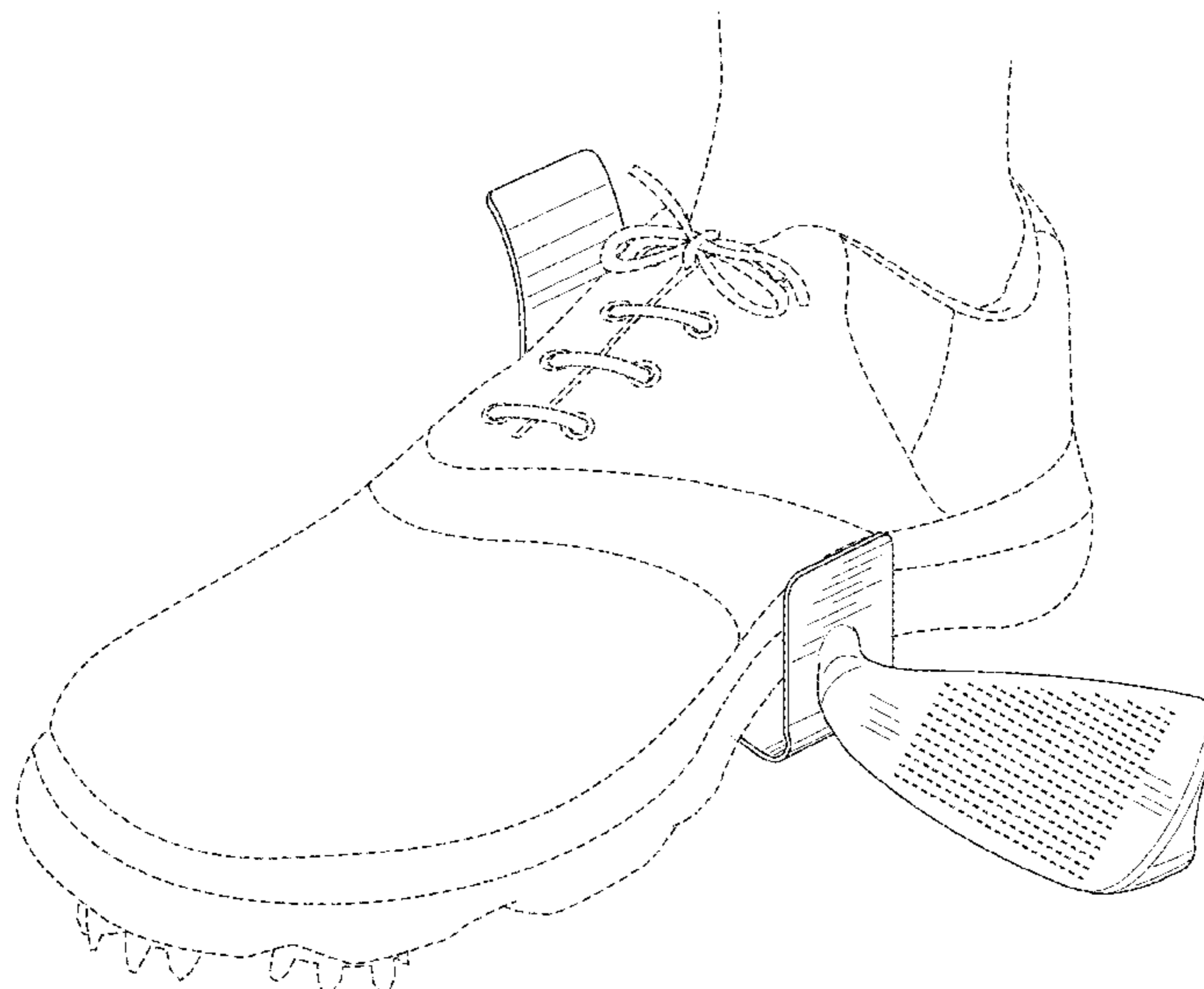
The ornamental design for a golf shoe attachment, as shown and described.

**DESCRIPTION**

FIG. 1 is a perspective view of a first embodiment of a golf shoe attachment, showing my new design;  
FIG. 2 is a top front perspective view of the golf shoe attachment of FIG. 1;  
FIG. 3 is a bottom rear perspective view of the golf shoe attachment of FIG. 1;  
FIG. 4 is a front view of the golf shoe attachment of FIG. 1;  
FIG. 5 is a right side view of the golf shoe attachment of FIG. 1;  
FIG. 6 is a rear view of the golf shoe attachment of FIG. 1;  
FIG. 7 is a left side view of the golf shoe attachment of FIG. 1;  
FIG. 8 is a top view of the golf shoe attachment of FIG. 1;  
FIG. 9 is a bottom view of the golf shoe attachment of FIG. 1;  
FIG. 10 is a top front perspective view of a second embodiment of a golf shoe attachment, showing my new design;  
FIG. 11 is a rear bottom perspective view of the golf shoe attachment of FIG. 10;  
FIG. 12 is a rear view of the golf shoe attachment of FIG. 10;  
FIG. 13 is a right side view of the golf shoe attachment of FIG. 10;  
FIG. 14 is a front view of the golf shoe attachment of FIG. 10;  
FIG. 15 is a left side view of the golf shoe attachment of FIG. 10;  
FIG. 16 is top view of the golf shoe attachment of FIG. 10;  
and,  
FIG. 17 is a bottom view of the golf shoe attachment of FIG. 10.

The broken lines shown in the drawings represent portions of the golf shoe attachment that form no part of the claimed design.

**1 Claim, 7 Drawing Sheets**



(56)

**References Cited**

U.S. PATENT DOCUMENTS

D403,037 S *	12/1998	Stone	.....	D21/733				
D416,130 S *	11/1999	Fritsch	.....	D2/897				
D418,285 S *	1/2000	Boyer	.....	D2/976				
D449,663 S *	10/2001	Laibangyang	.....	D21/733				
D453,365 S *	2/2002	Carr	.....	D21/752				
D453,413 S *	2/2002	Tsujino	.....	D2/978				
D505,465 S *	5/2005	Liou	.....	D21/733				
D522,597 S *	6/2006	Sanchez	.....	D21/733				
D535,086 S *	1/2007	Pace	.....	D2/904				
D567,317 S *	4/2008	Jertson	.....	D21/733				
D604,037 S *	11/2009	Feller	.....	D2/946				
D616,512 S *	5/2010	Mickelson	.....	D21/733				
D629,600 S *	12/2010	Mandalia	.....	D2/976				
D659,376 S *	5/2012	John	.....	D2/946				
D665,984 S *	8/2012	El	.....	D2/976				
D665,986 S *	8/2012	El	.....	D2/976				
D665,988 S *	8/2012	El	.....	D2/976				
D665,989 S *	8/2012	El	.....	D2/976				
D707,765 S *	6/2014	Engel	.....	D21/733				
D711,080 S *	8/2014	Hollister	.....	D2/946				
2008/0083136 A1 *	4/2008	McNeely	.....	A41F 17/02				
				36/70 R				
2009/0199439 A1 *	8/2009	Lamb	.....	A41D 27/145				
				36/70 R				

\* cited by examiner

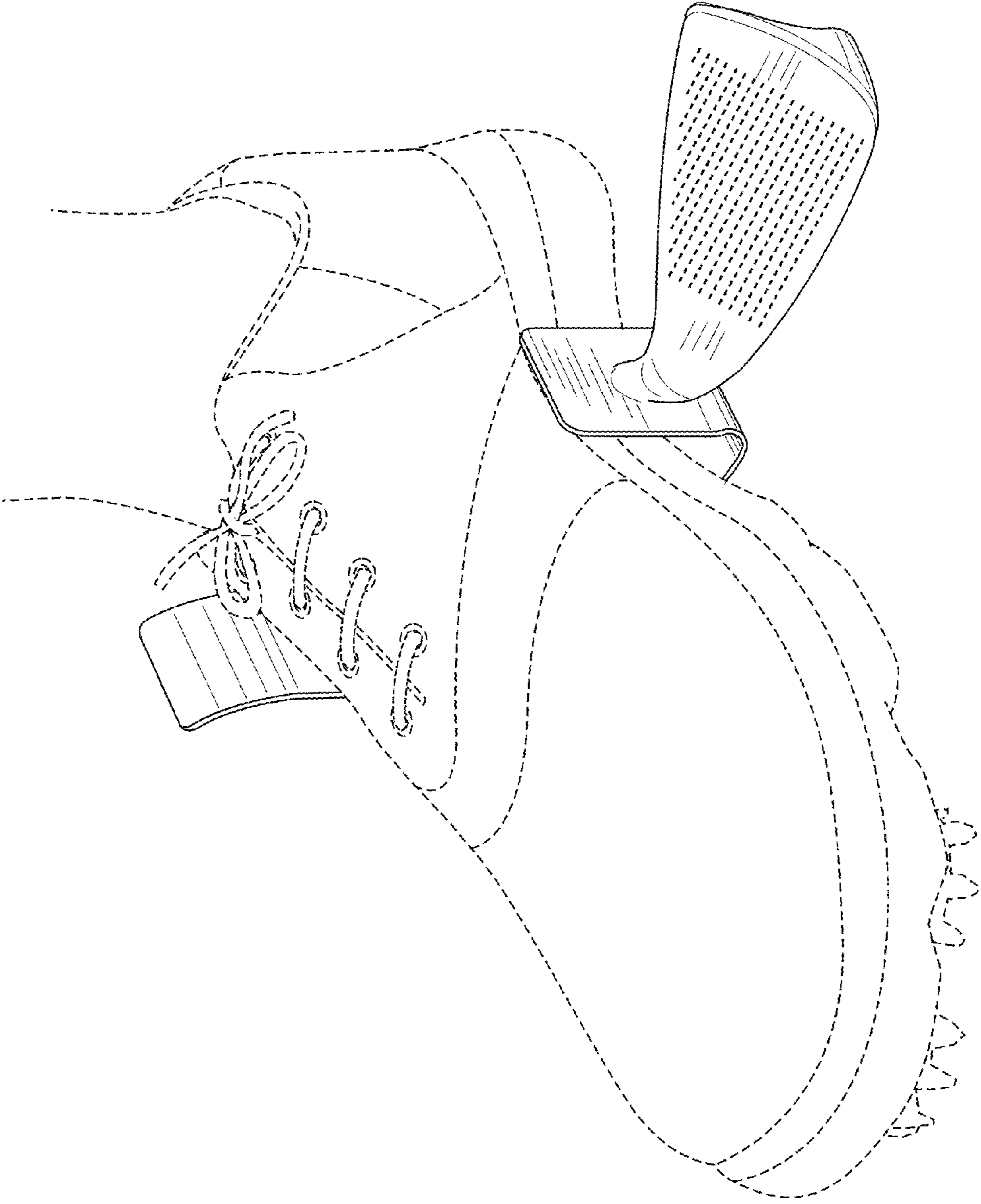


FIG. 1

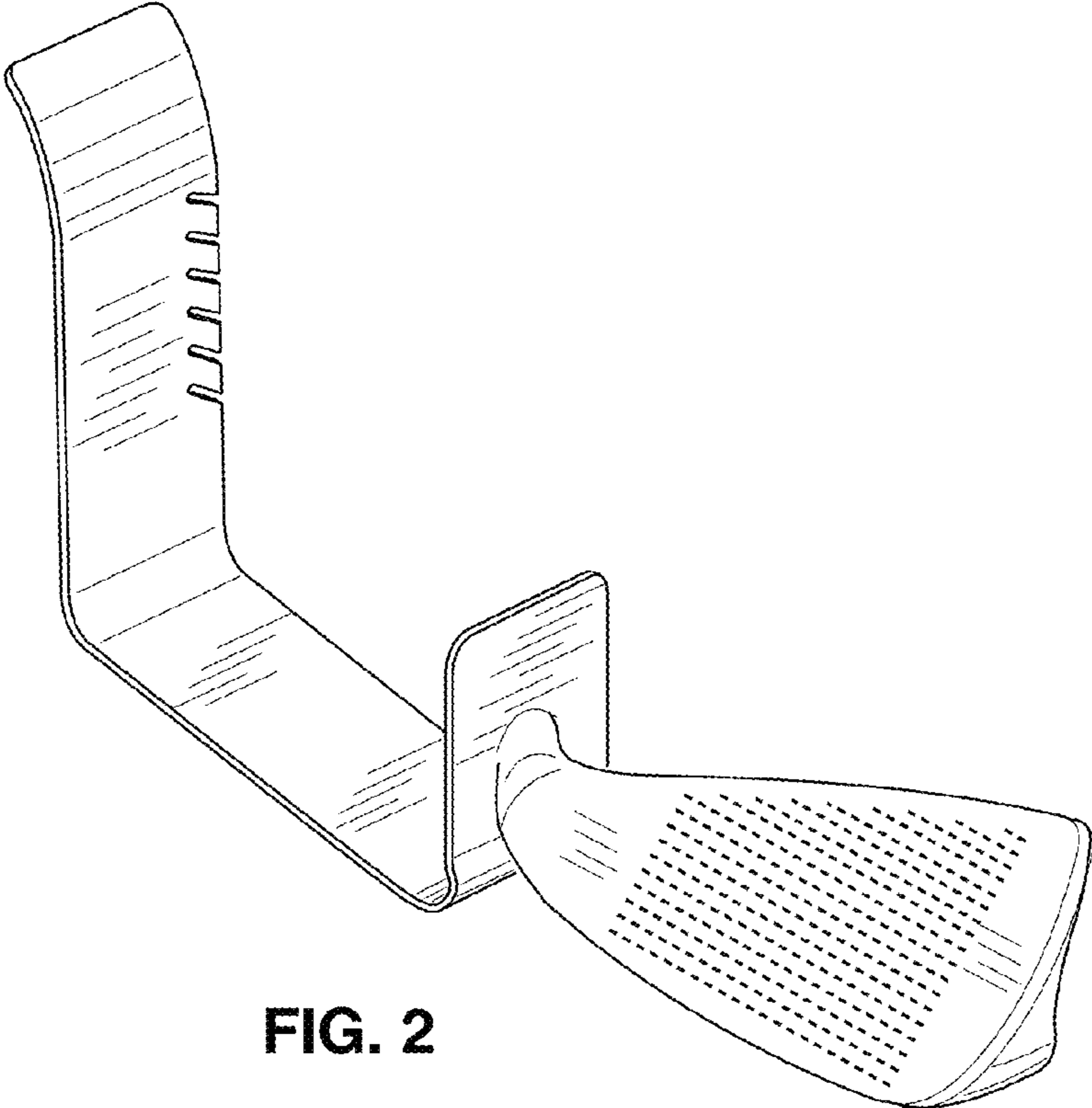


FIG. 2

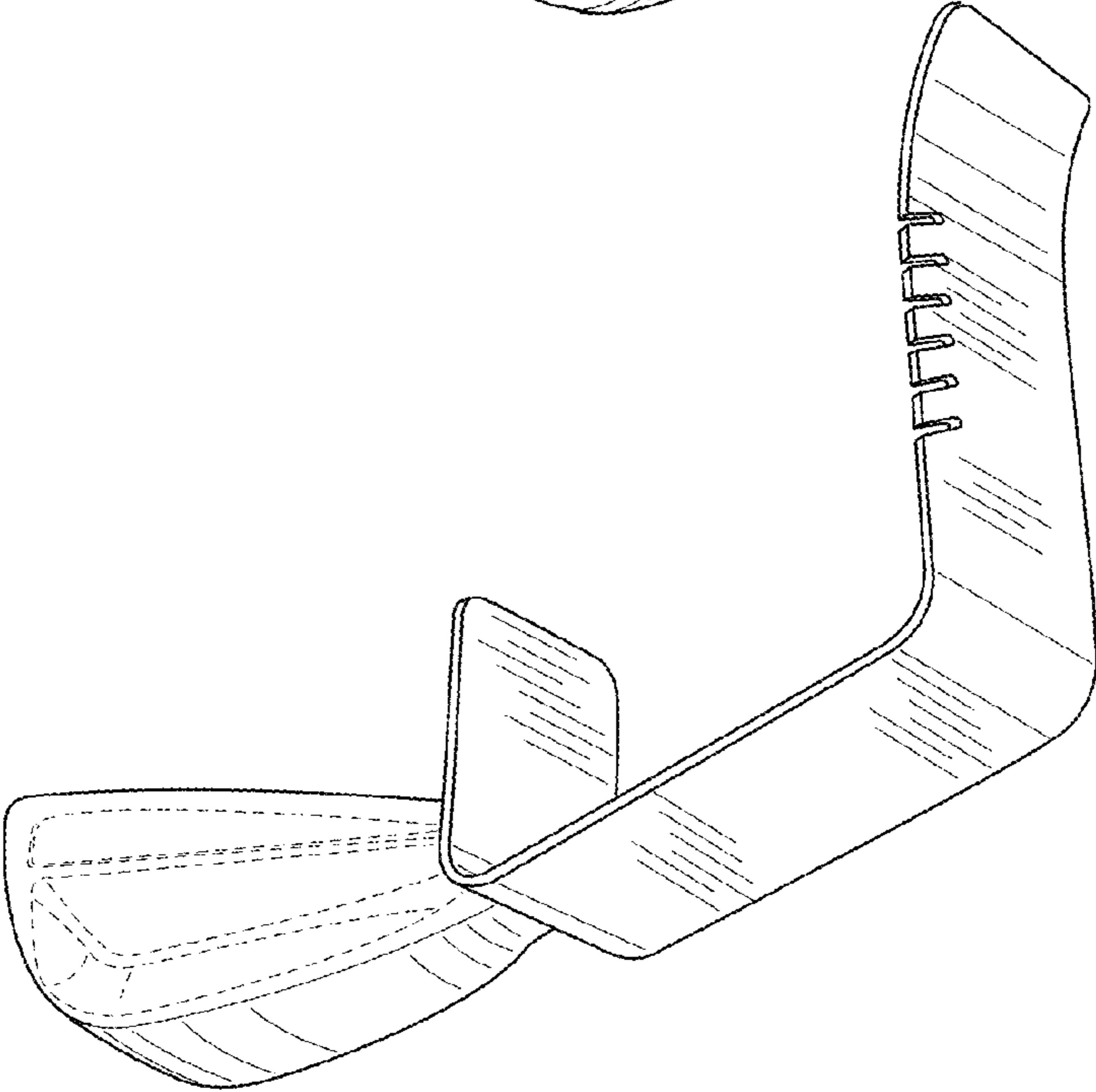


FIG. 3

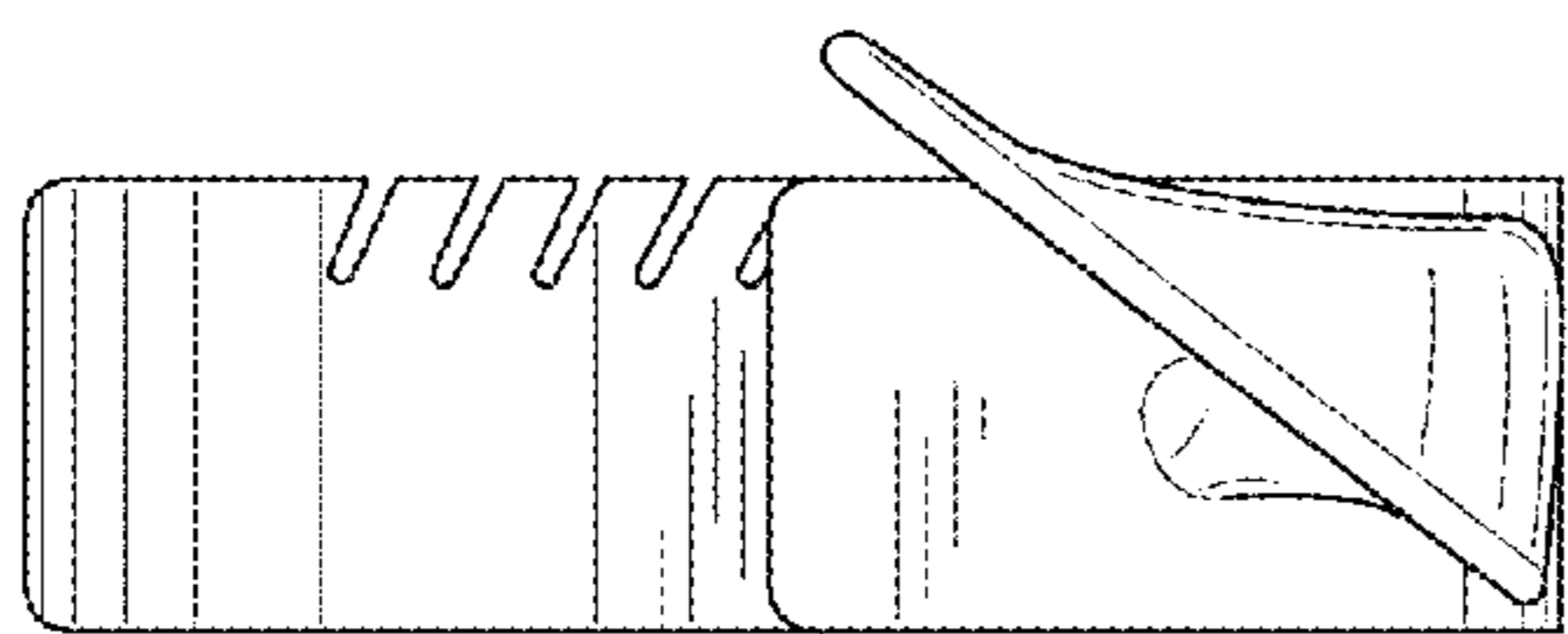


FIG. 5

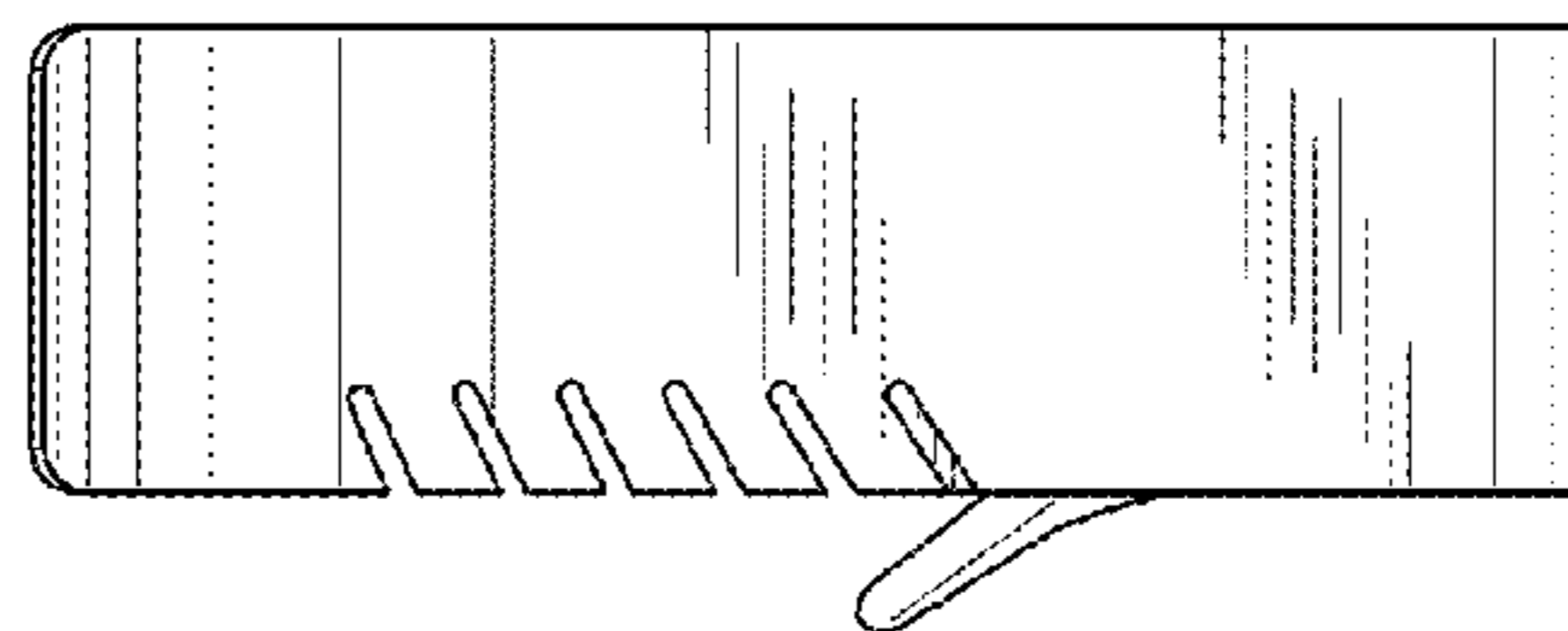


FIG. 7

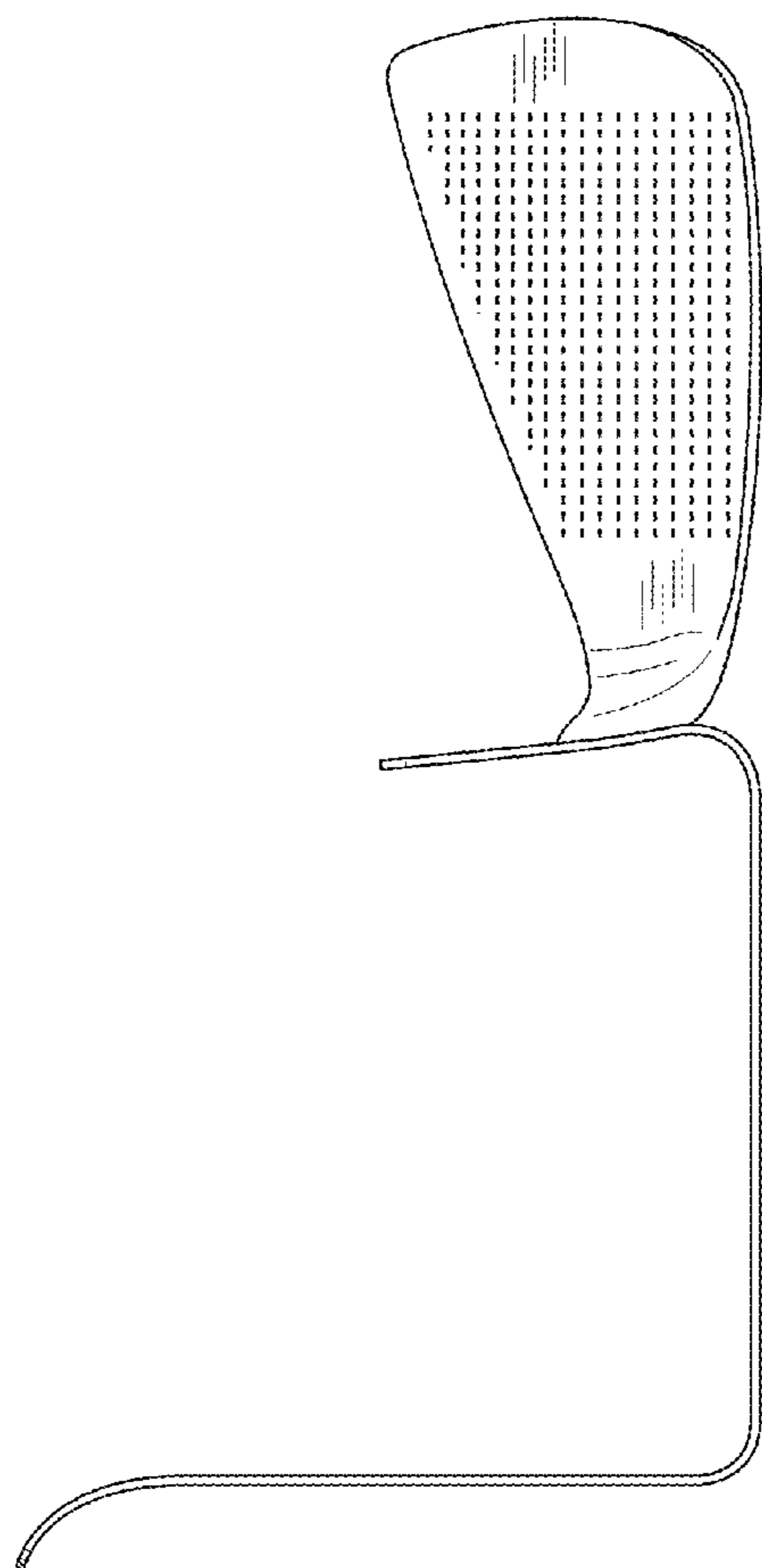


FIG. 4

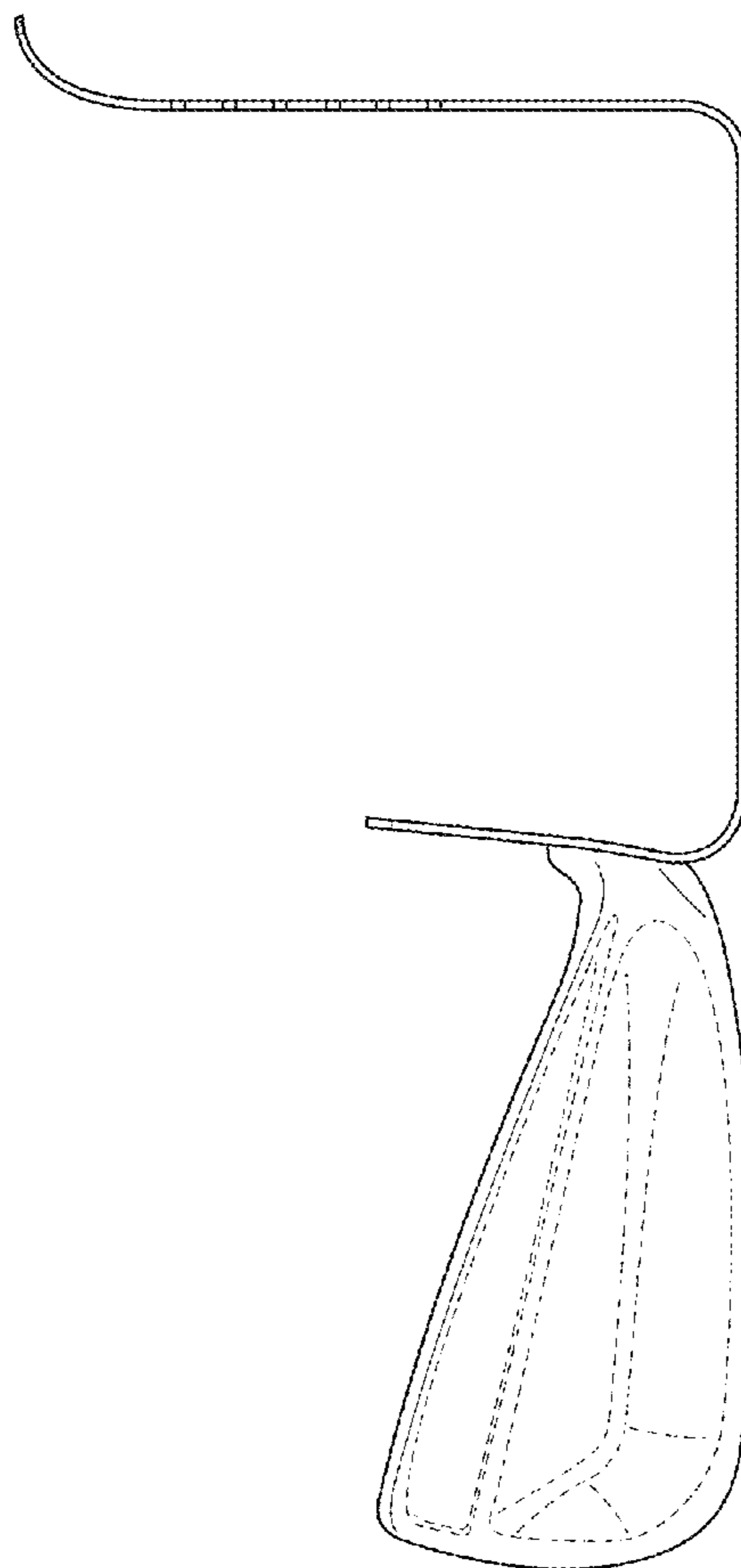


FIG. 6

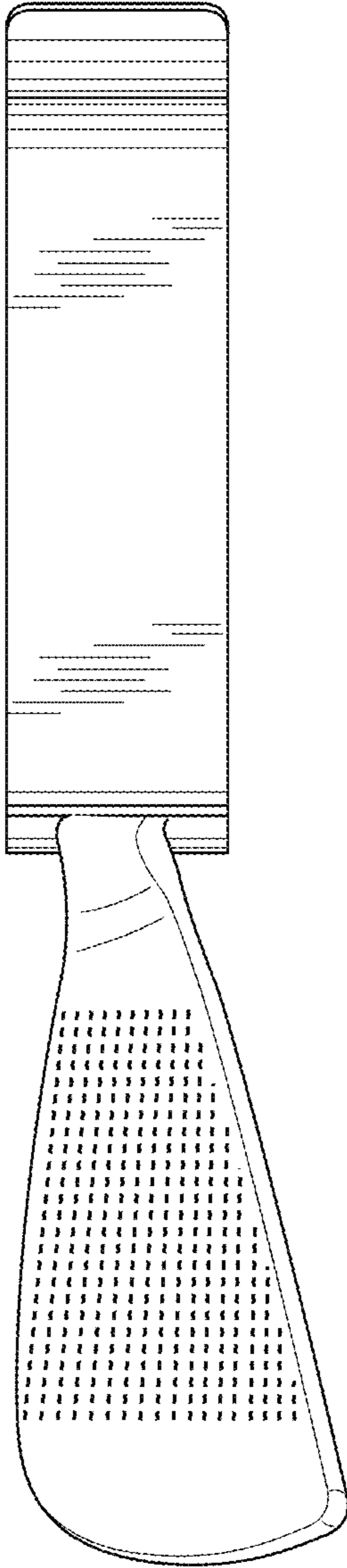


FIG. 8

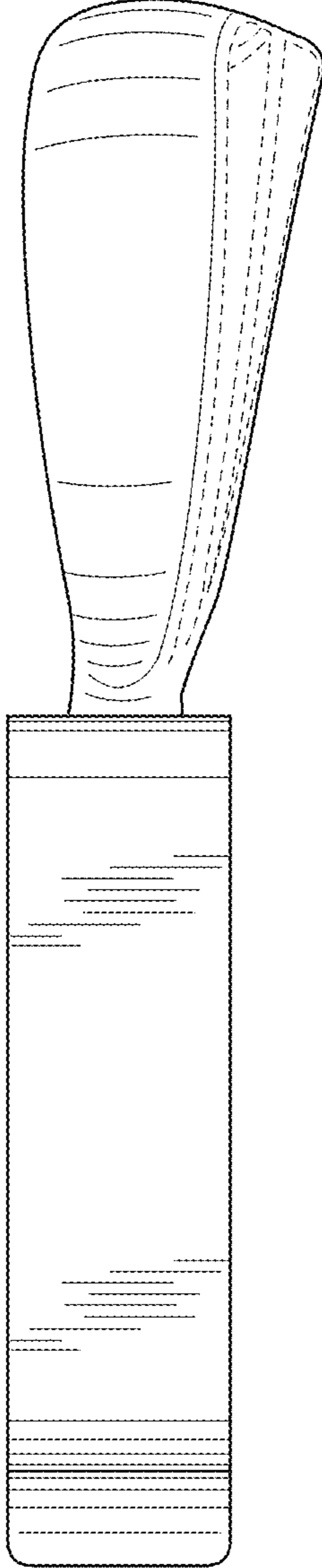


FIG. 9

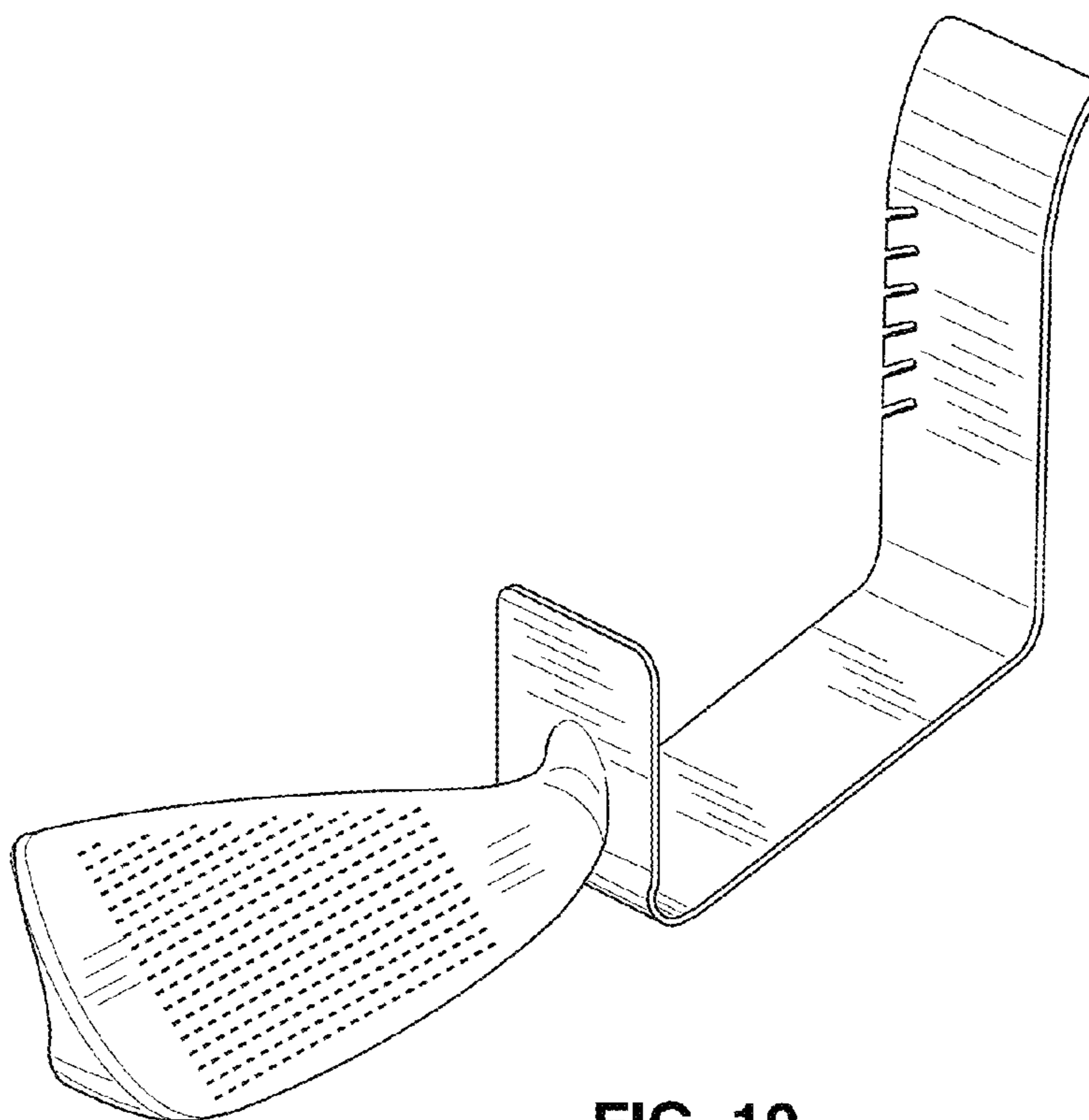


FIG. 10

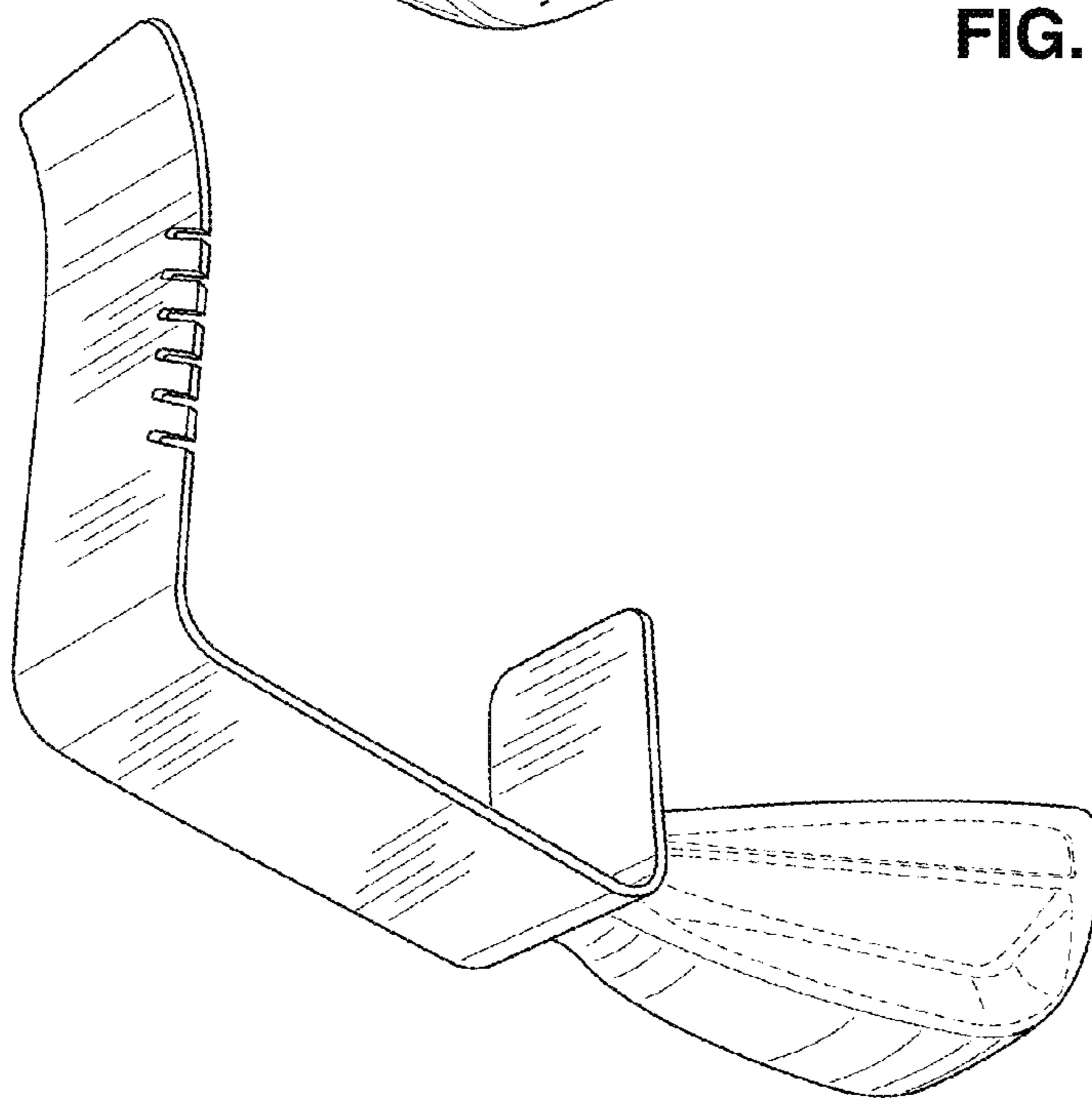


FIG. 11

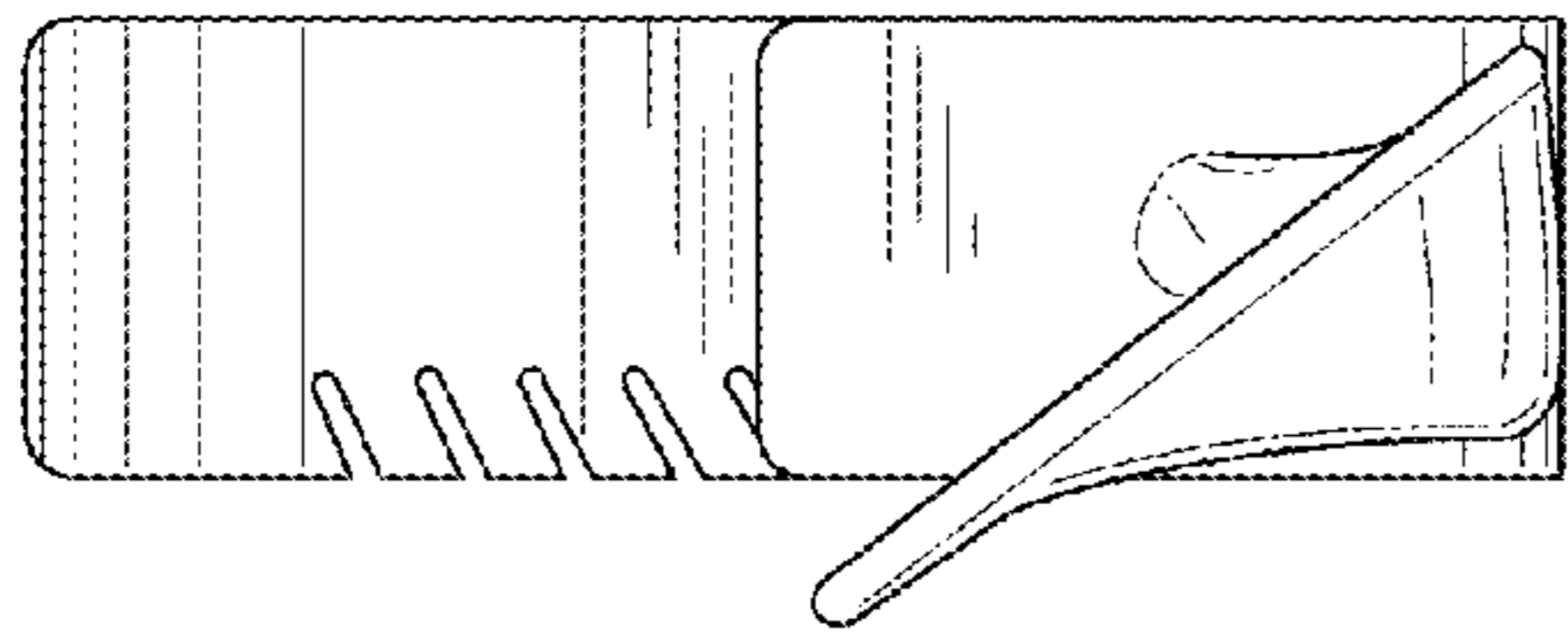


FIG. 13

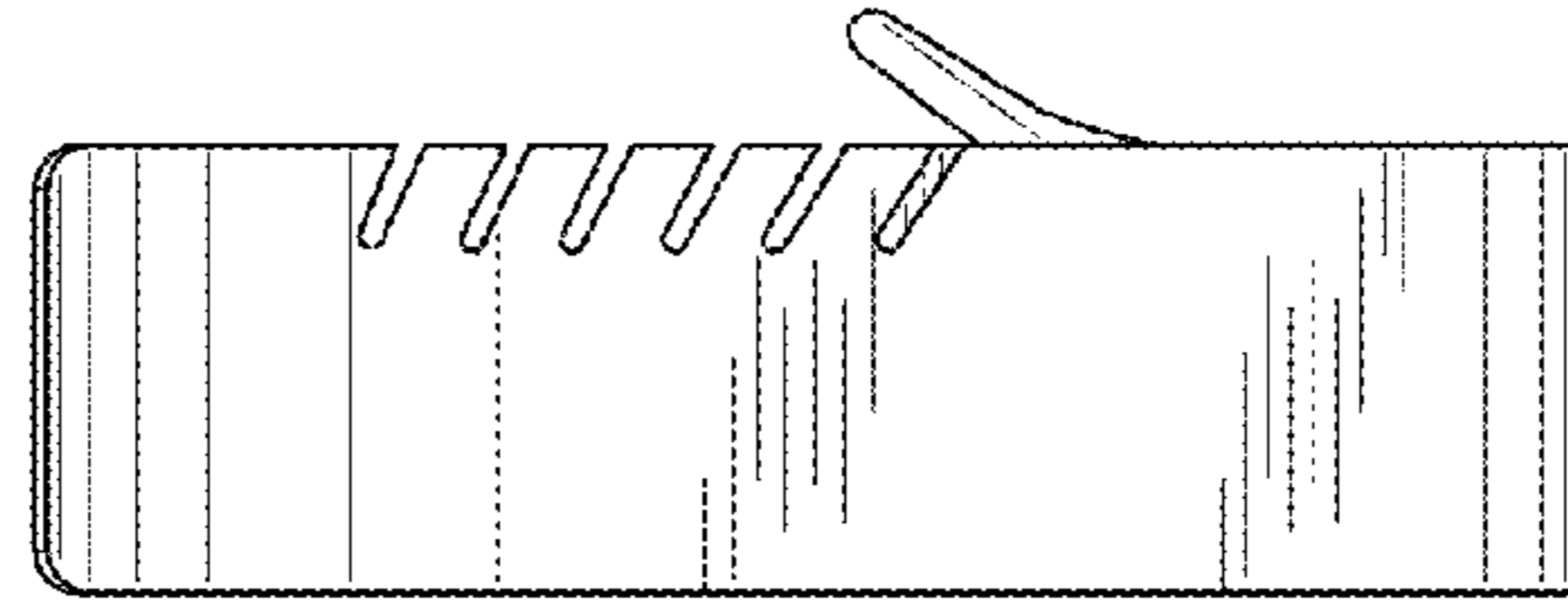


FIG. 15

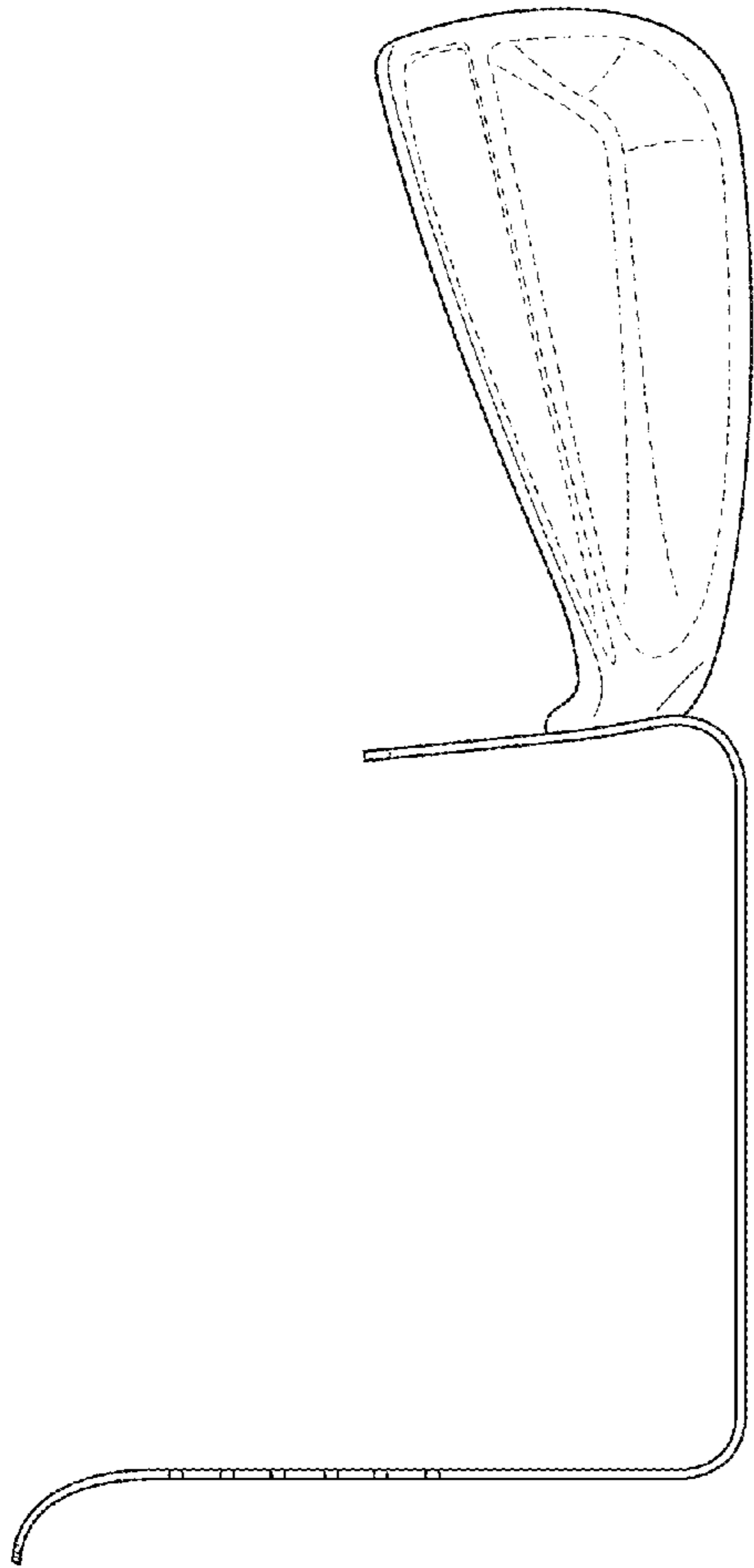


FIG. 12

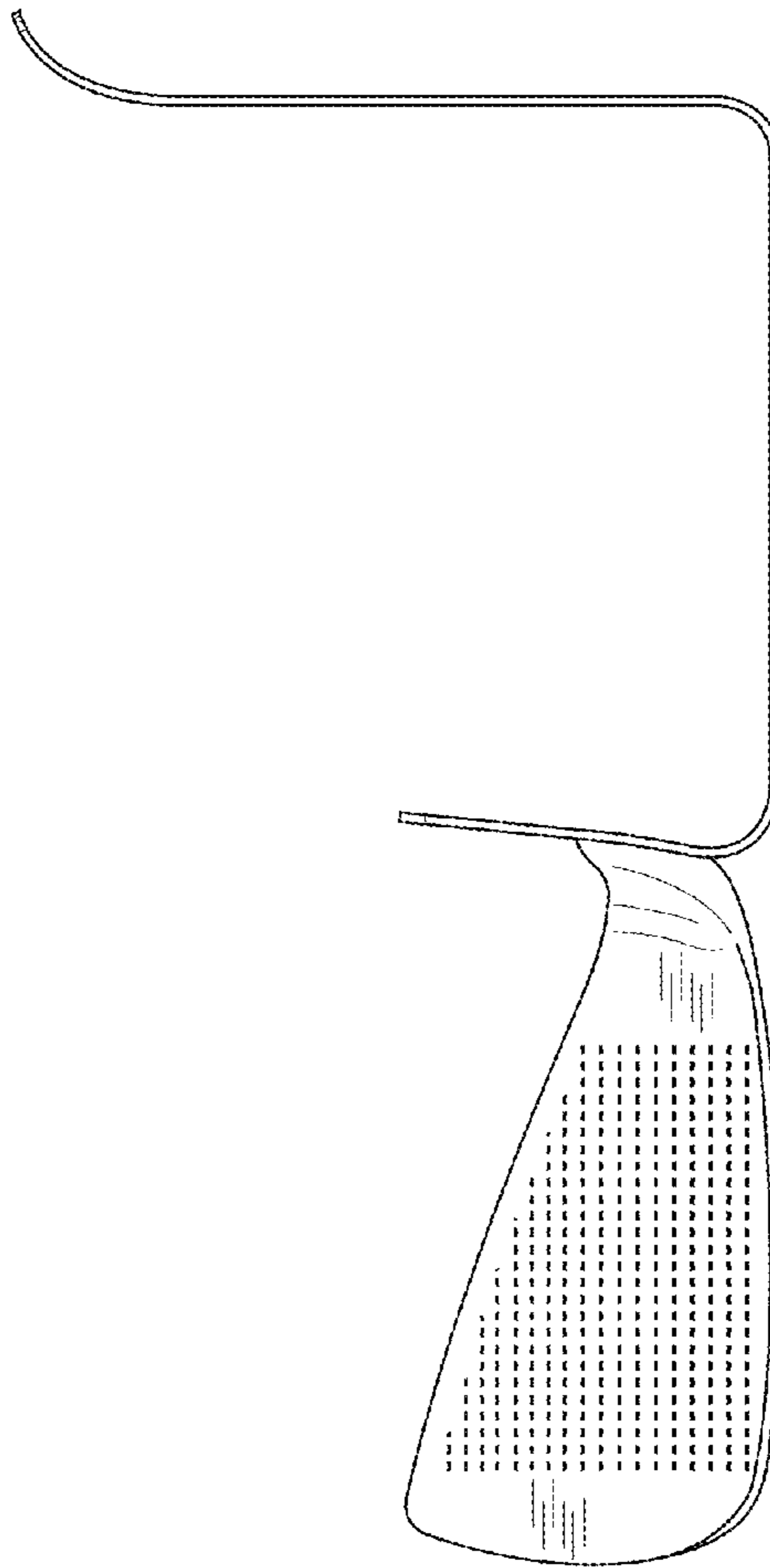


FIG. 14



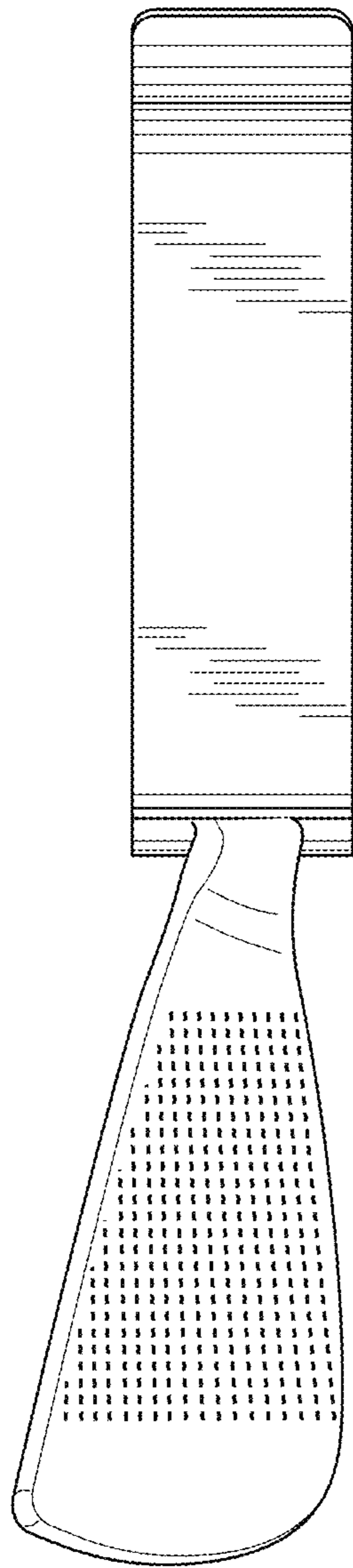


FIG. 16

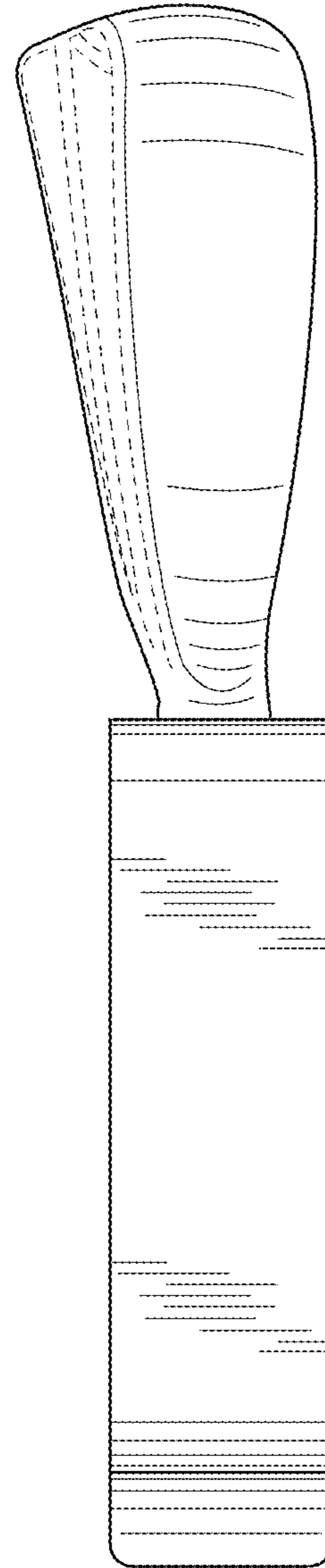


FIG. 17