



US00D761544S

(12) **United States Design Patent**  
**Fisher**

(10) **Patent No.:** **US D761,544 S**  
(45) **Date of Patent:** **\*\* Jul. 19, 2016**

- (54) **REMOVABLE GOLF SPIKE**
- (71) Applicant: **Saber Golf, LLC**, Blue Ridge, GA (US)
- (72) Inventor: **Doug Fisher**, Atlanta, GA (US)
- (73) Assignee: **Saber Golf, LLC**, Blue Ridge, GA (US)
- (\*\*) Term: **14 Years**
- (21) Appl. No.: **29/524,682**
- (22) Filed: **Apr. 22, 2015**
- (51) **LOC (10) Cl.** ..... **02-99**
- (52) **U.S. Cl.**  
USPC ..... **D2/962**
- (58) **Field of Classification Search**  
USPC ..... D2/896, 946, 962, 906, 963  
CPC ..... A43C 13/00; A43C 13/02; A43C 13/04;  
A43C 13/12; A43C 15/00; A43C 15/02;  
A43C 15/04; A43C 15/06; A43C 15/061;  
A43C 15/066; A43C 15/068; A43C 15/09;  
A43C 15/16; A43C 15/161; A43C 15/162;  
A43C 15/164; A43C 15/165; A43C 15/167;  
A43C 15/168; A43C 15/18  
See application file for complete search history.

(56) **References Cited**

**U.S. PATENT DOCUMENTS**

- 5,794,367 A \* 8/1998 Carroll ..... A43C 15/162  
36/127
- D404,192 S \* 1/1999 McMullin ..... D2/962
- D407,893 S \* 4/1999 McMullin ..... D2/962
- D408,122 S \* 4/1999 McMullin ..... D2/962
- D415,340 S \* 10/1999 McMullin ..... D2/962
- 6,052,923 A \* 4/2000 McMullin ..... A43C 15/162  
36/127
- 6,233,850 B1 \* 5/2001 Peabody ..... A43C 15/162  
36/127
- D449,431 S \* 10/2001 Savoie ..... D2/962
- D449,920 S \* 11/2001 Yu ..... D2/962
- D452,947 S \* 1/2002 Terashima ..... D2/962
- D454,248 S \* 3/2002 Savoie ..... D2/962
- D455,896 S \* 4/2002 Peabody ..... D2/962
- D459,866 S \* 7/2002 Gan ..... D2/962

- D465,643 S \* 11/2002 Cho ..... D2/962
- D468,084 S \* 1/2003 Lin ..... D2/962
- D509,050 S \* 9/2005 Savoie ..... D2/962
- D510,179 S \* 10/2005 McMullin ..... D2/962
- D517,292 S \* 3/2006 McMullin ..... D2/962
- D569,596 S \* 5/2008 Terashima ..... D2/962
- D575,487 S \* 8/2008 Carruthers ..... D2/946
- D577,480 S \* 9/2008 Ortleby ..... D2/962
- D582,642 S \* 12/2008 Robinson, Jr. .... D2/946
- D592,391 S \* 5/2009 McMullin ..... D2/946
- D631,240 S \* 1/2011 Shuttleworth ..... D2/962
- D721,883 S \* 2/2015 Burt ..... D2/962
- 2001/0011429 A1 \* 8/2001 Peabody ..... A43B 5/001  
36/134
- 2003/0131502 A1 \* 7/2003 Terashima ..... A43B 5/001  
36/127
- 2004/0040182 A1 \* 3/2004 McMullin ..... A43C 15/162  
36/134
- 2005/0034334 A1 \* 2/2005 McMullin ..... A43B 5/001  
36/134

(Continued)

**OTHER PUBLICATIONS**

Fisher, Doug; U.S. Patent Application entitled: Shoe Spike having U.S. Appl. No. 14/693,312, filed Apr. 22, 2015, 29 pgs.

(Continued)

*Primary Examiner* — Elizabeth J Oswecki

(74) *Attorney, Agent, or Firm* — Taylor English Duma LLP

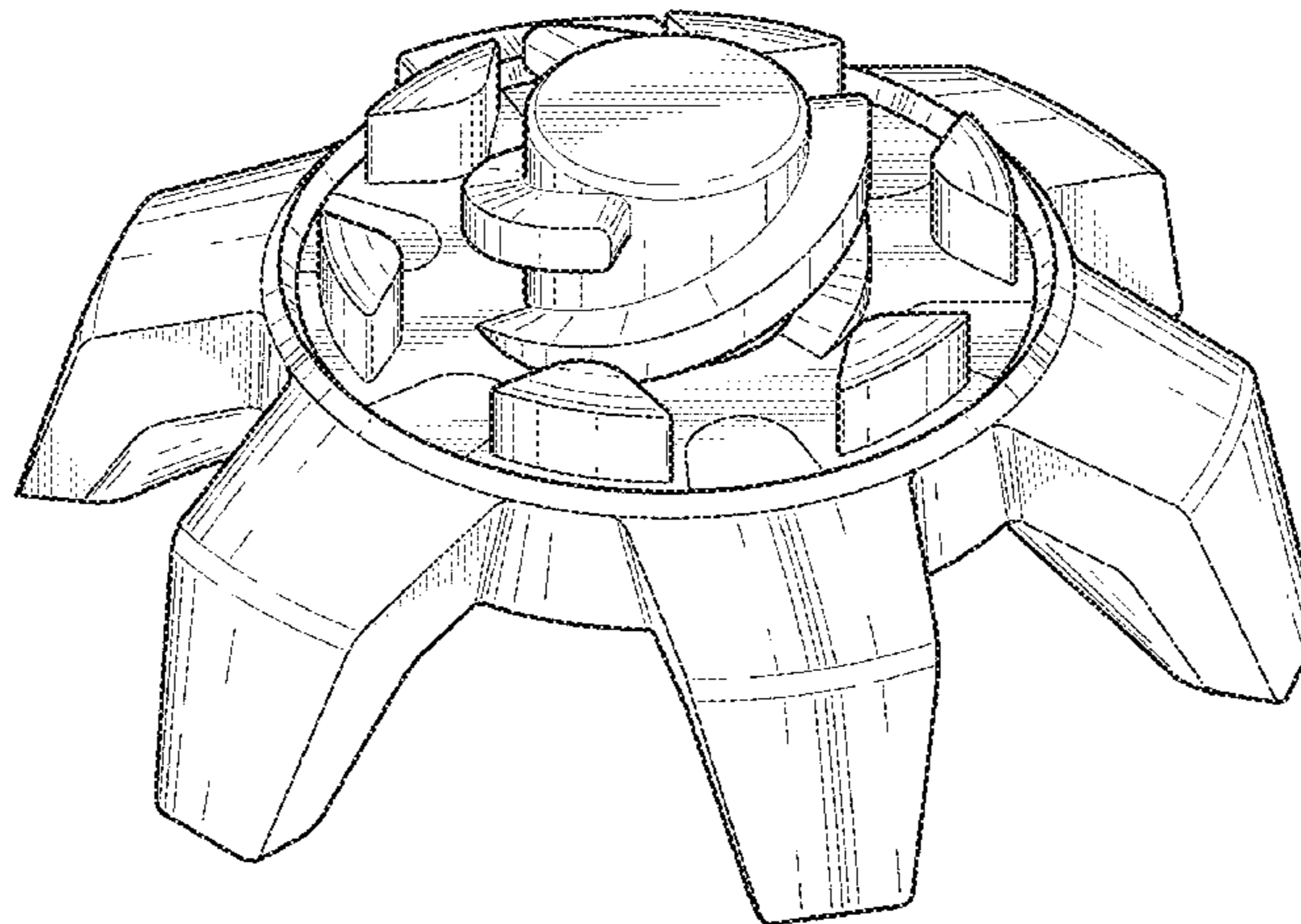
(57) **CLAIM**

The ornamental design for a removable golf spike, as shown and described.

**DESCRIPTION**

FIG. 1 is a perspective view of a removable golf spike showing my new design;  
FIG. 2 is a front elevation view thereof;  
FIG. 3 is a back elevation view thereof;  
FIG. 4 is a right side elevation view thereof;  
FIG. 5 is a left side elevation view thereof;  
FIG. 6 is a top plan view thereof; and,  
FIG. 7 is a bottom plan view thereof.

**1 Claim, 5 Drawing Sheets**



(56)

**References Cited**

**OTHER PUBLICATIONS**

U.S. PATENT DOCUMENTS

2007/0101618 A1\* 5/2007 Peake ..... A43B 3/0094  
36/134  
2007/0277399 A1\* 12/2007 Dow ..... A43C 15/168  
36/134  
2008/0072460 A1\* 3/2008 Robinson ..... A43B 5/001  
36/134

Fisher, Doug; PCT Application entitled: Shoe Spike, having serial  
No. PCT/US16/28238, filed Apr. 19, 2016, 31 pgs.

\* cited by examiner

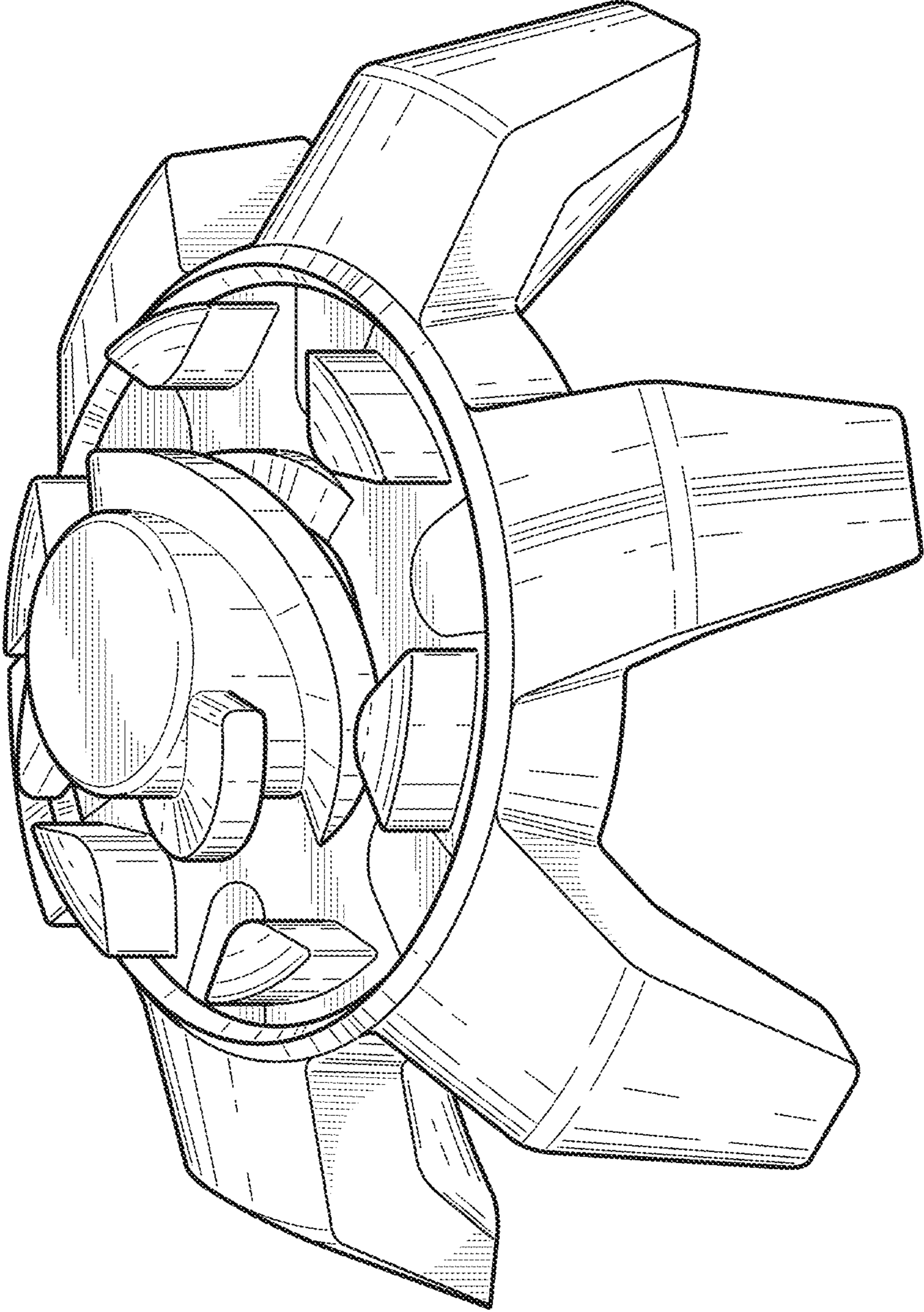


FIG. 1

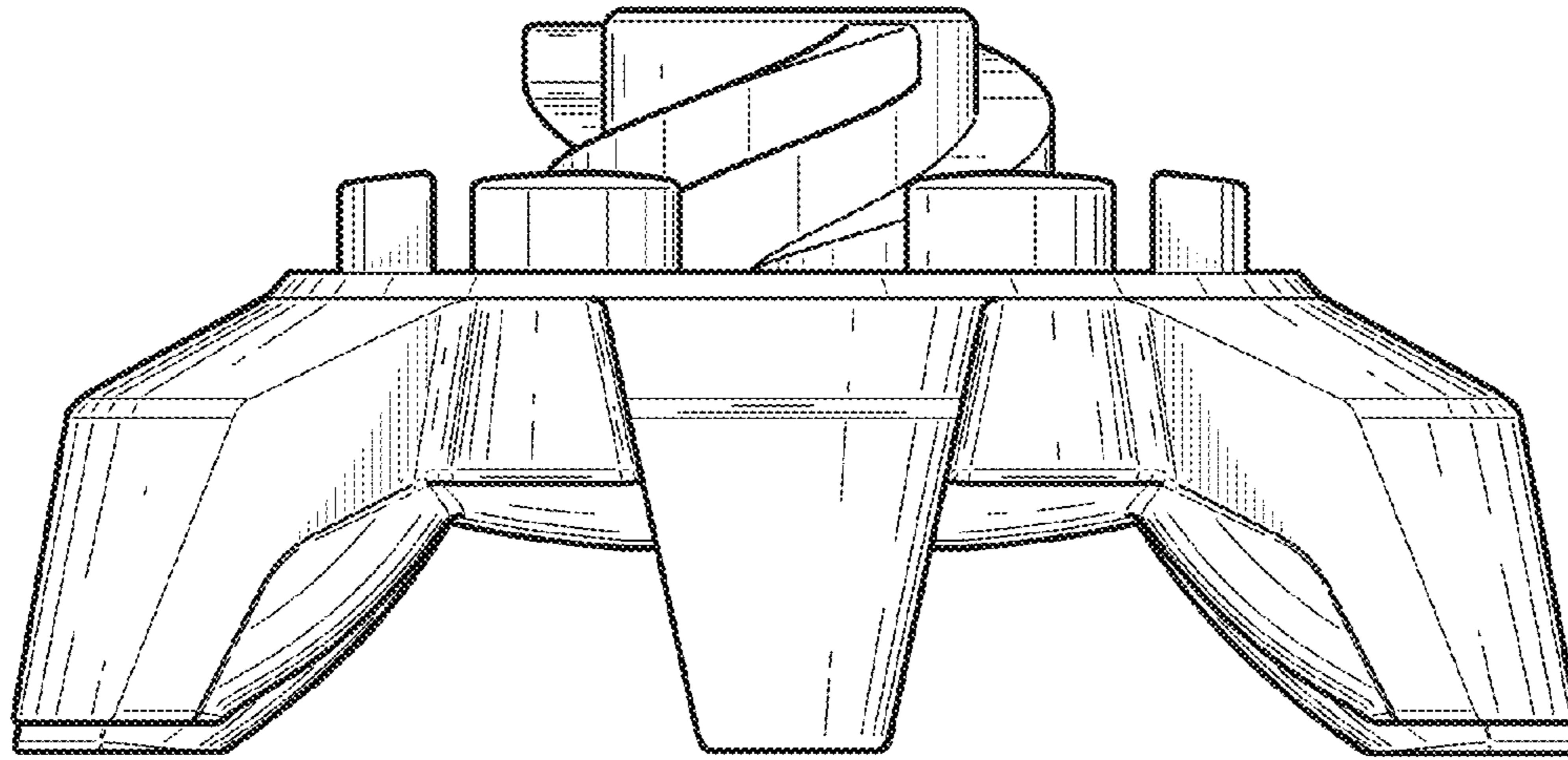


FIG. 2

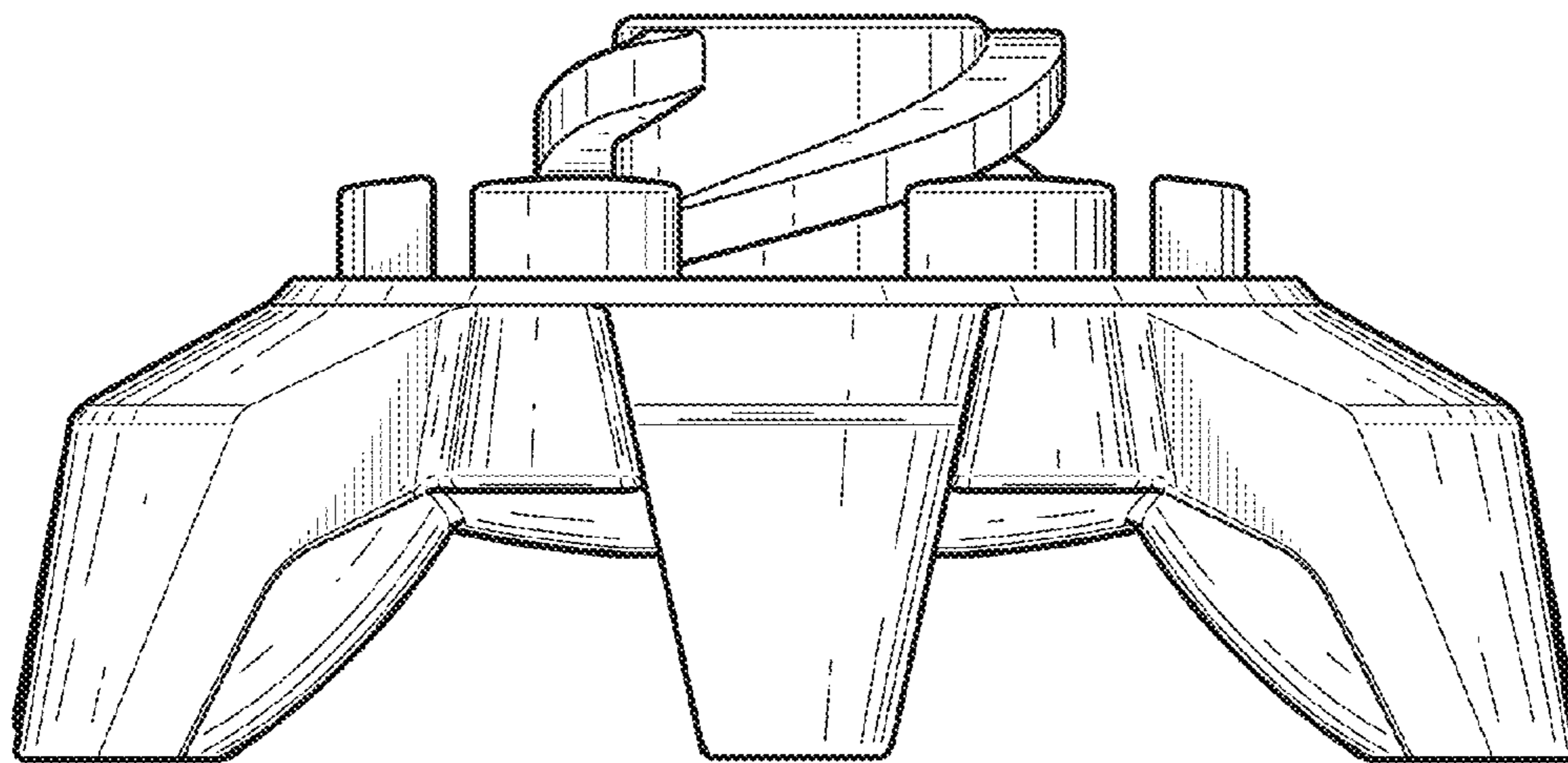


FIG. 3

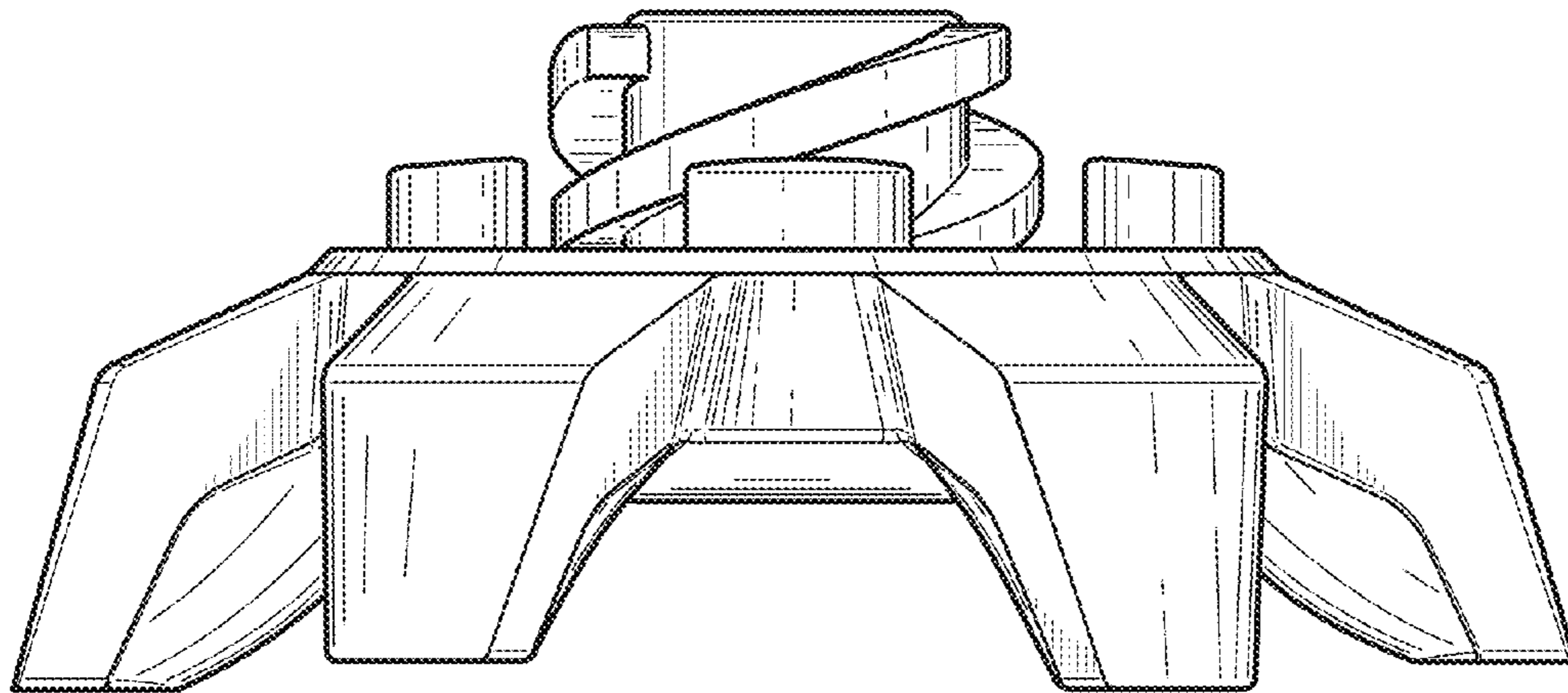


FIG. 4

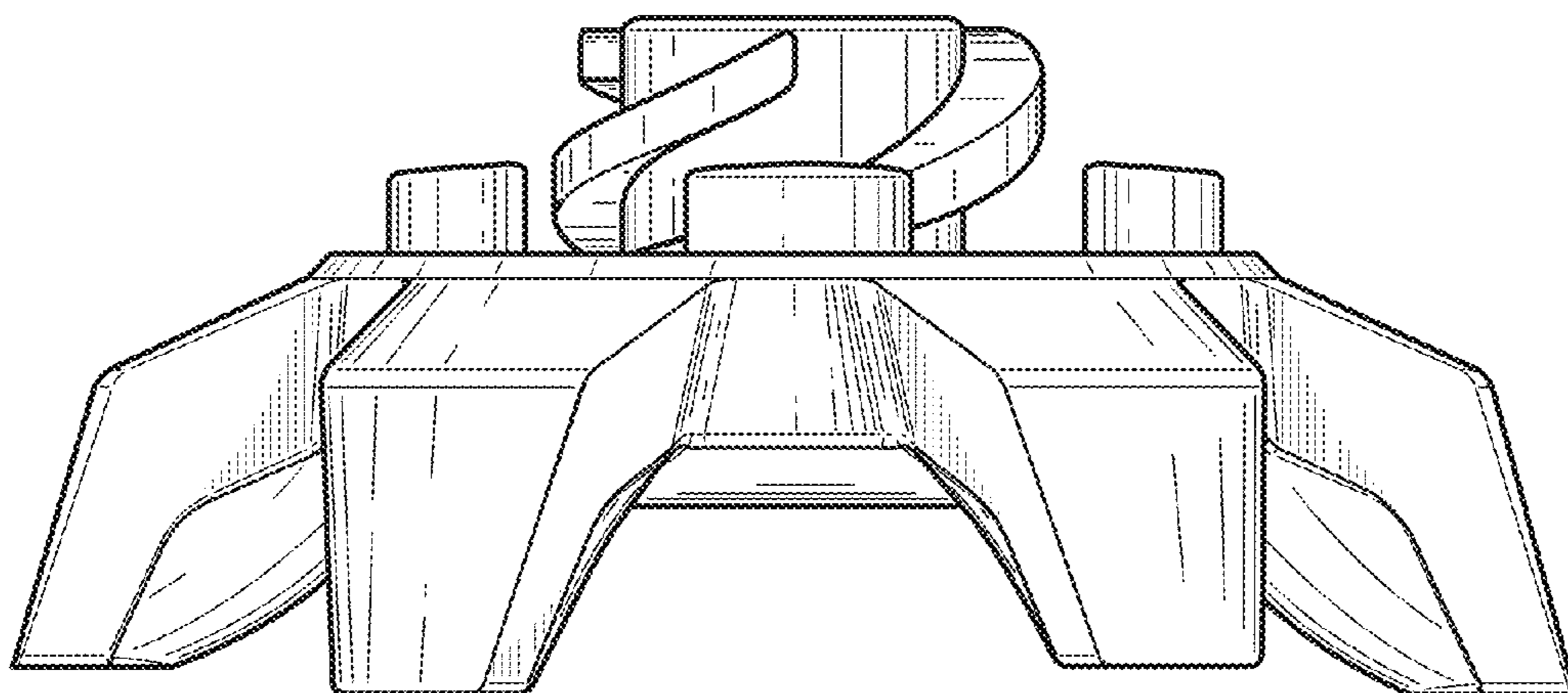
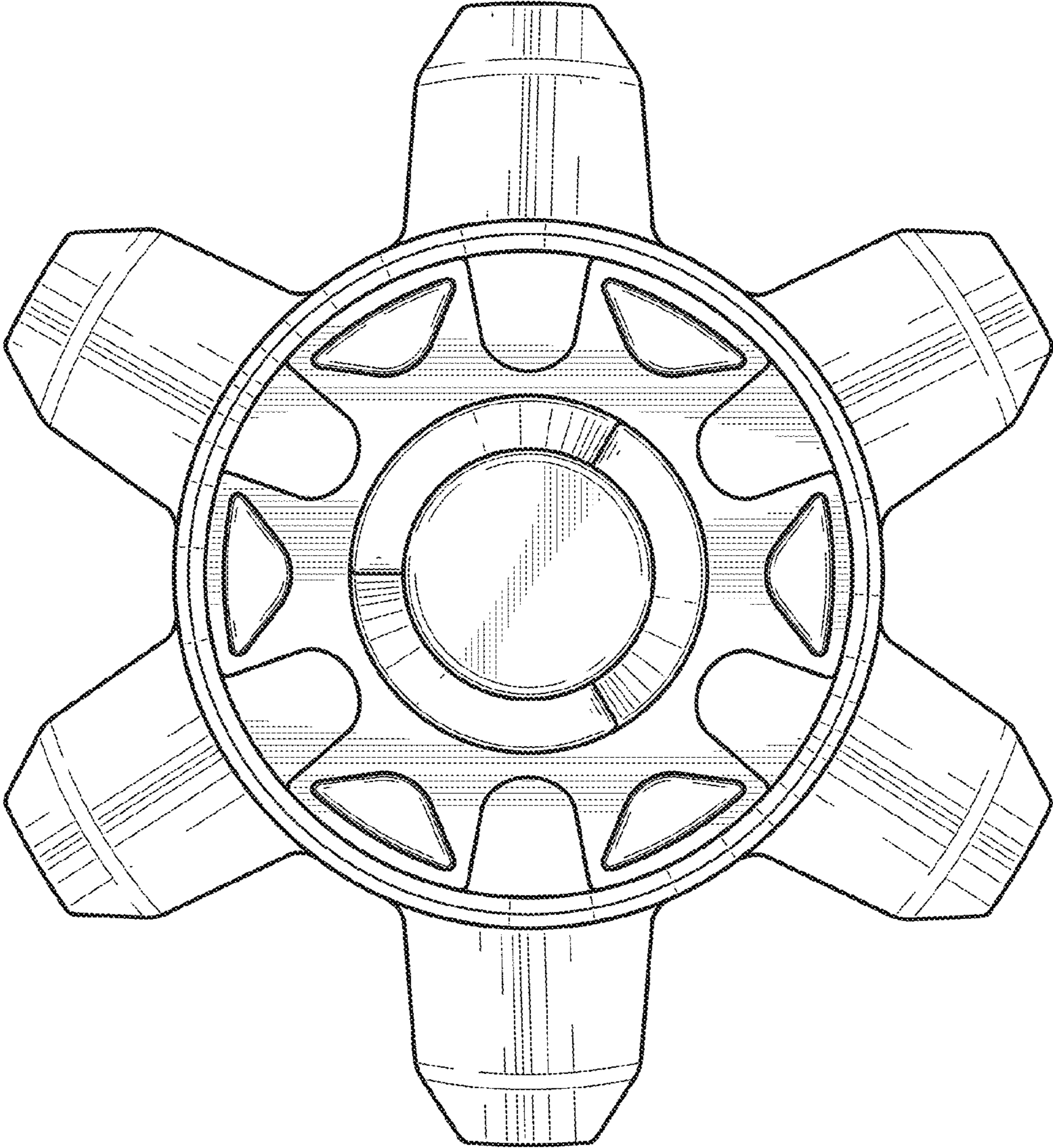


FIG. 5



**FIG. 6**

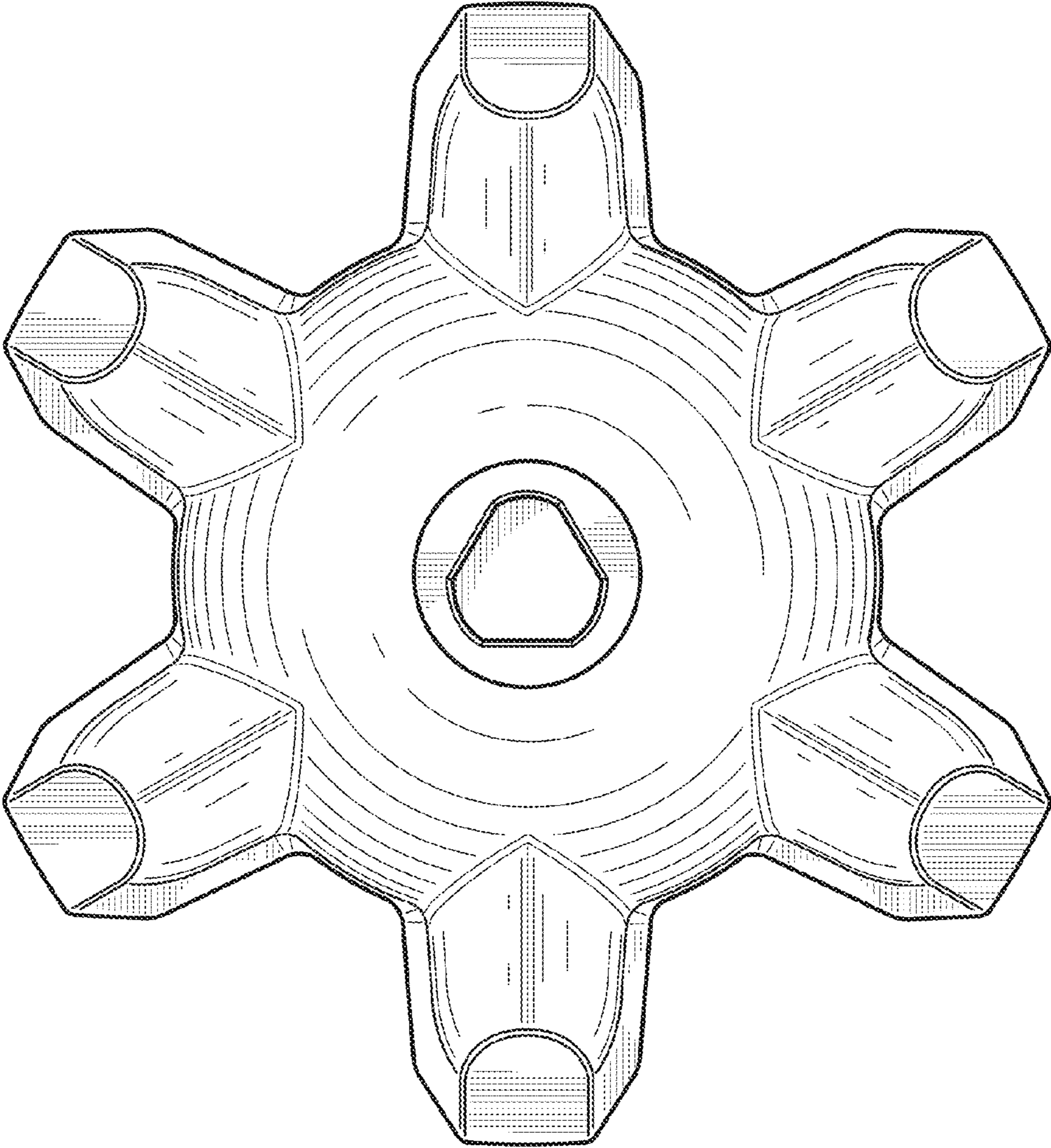


FIG. 7