



US00D761514S

(12) **United States Design Patent**
Harbhajan

(10) **Patent No.:** **US D761,514 S**
(45) **Date of Patent:** **** Jul. 12, 2016**

(54) **IN-GARBAGE CONTAINER**
(71) Applicant: **Saish Harbhajan**, Jamaica, NY (US)
(72) Inventor: **Saish Harbhajan**, Jamaica, NY (US)
(**) Term: **14 Years**
(21) Appl. No.: **29/517,685**
(22) Filed: **Feb. 16, 2015**
(51) **LOC (10) Cl.** **09-09**
(52) **U.S. Cl.**
USPC **D34/1**
(58) **Field of Classification Search**
USPC D34/1-11; 220/908, 908.1, 909, 913
CPC B65F 1/11; B65F 1/10; B65F 1/006;
B65F 1/28; B65F 1/062; B65F 1/06; B65F
1/067; B65F 1/14; B65F 1/1646
See application file for complete search history.

7,313,844 B2 * 1/2008 Petner A47L 13/51
15/257.1
7,584,920 B2 * 9/2009 Huang B02C 18/0007
220/908
D601,771 S * 10/2009 Lim D34/11
8,172,105 B2 * 5/2012 Smith B65D 83/0454
220/262
8,317,055 B2 * 11/2012 Zawrotny B65F 1/062
206/389
D677,444 S * 3/2013 Thurmond D34/5
2011/0220654 A1 * 9/2011 Gray B65F 1/062
220/495.06
2013/0048641 A1 * 2/2013 Romano B65F 1/06
220/495.08
2014/0246439 A1 * 9/2014 Friedman B65F 1/06
220/495.11
2015/0321841 A1 * 11/2015 Salas B65F 1/062
220/495.07

* cited by examiner

Primary Examiner — Cynthia Ramirez
(74) *Attorney, Agent, or Firm* — Michael J. Feigin, Esq.;
Feigin & Fridman

(56) **References Cited**
U.S. PATENT DOCUMENTS

4,943,002 A * 7/1990 Fraher B65F 1/10
220/908
D310,744 S * 9/1990 Fletcher D34/1
D314,457 S * 2/1991 Berfield D32/25
D324,119 S * 2/1992 McKalsen, Jr. D34/11
5,097,975 A * 3/1992 Waterston B65F 1/00
206/806
5,129,543 A * 7/1992 White B65F 1/006
220/503
5,294,162 A * 3/1994 Grimes B66D 1/28
294/110.1
D414,908 S * 10/1999 Mockett D34/10
D420,186 S * 2/2000 Mockett D34/10
6,062,416 A * 5/2000 Smillie A47B 46/005
220/503
6,568,555 B1 * 5/2003 LoCascio B65F 1/062
220/495.07
D481,505 S * 10/2003 Whiteagle D34/10
D508,595 S * 8/2005 Reiter D34/6

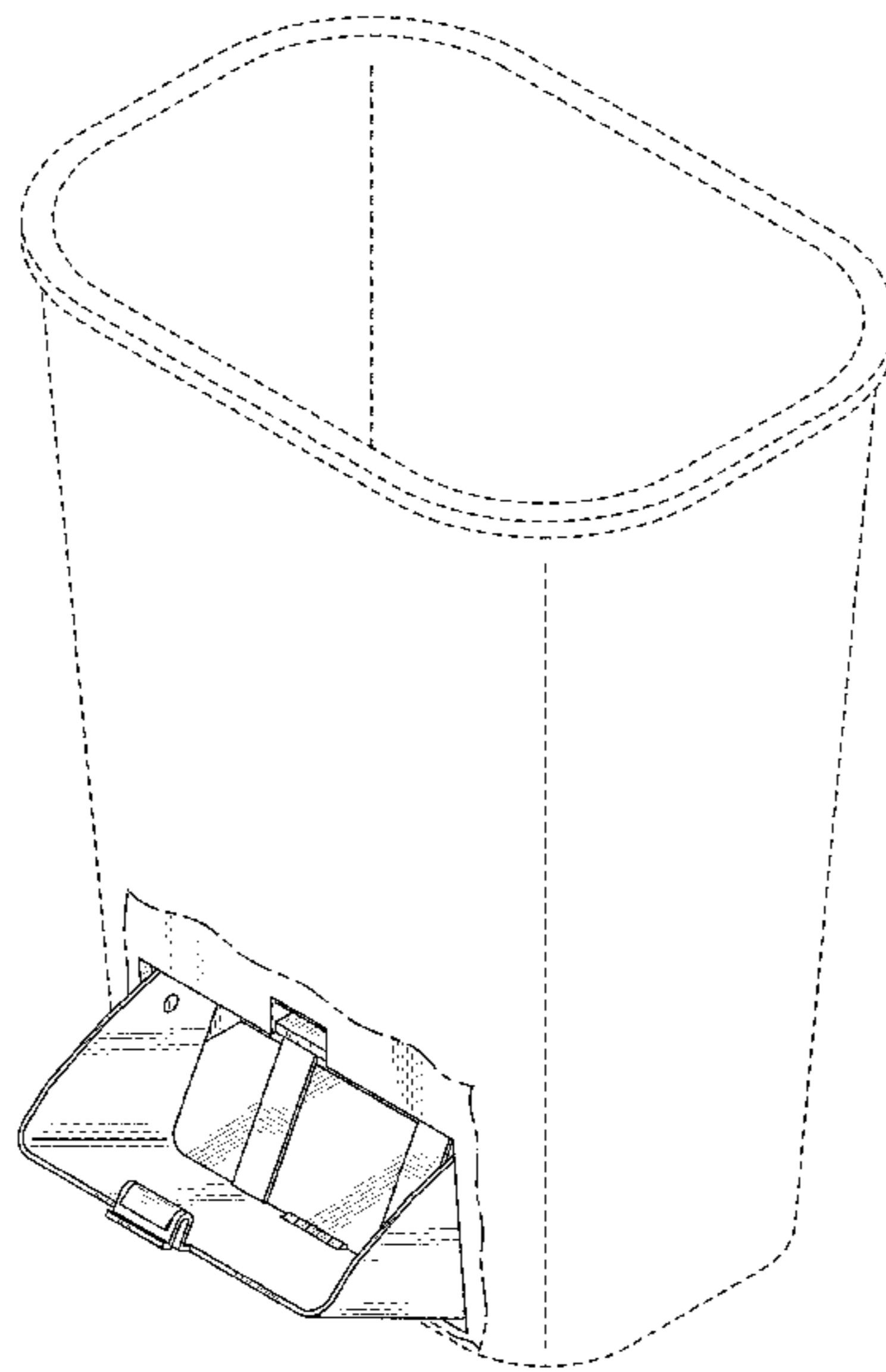
(57) **CLAIM**

The ornamental design for an in-garbage container, as shown and described.

DESCRIPTION

FIG. 1 shows a top perspective view of the in-garbage container.
FIG. 2 shows a bottom perspective view thereof.
FIG. 3 shows a front elevation view thereof.
FIG. 4 shows a left side elevation view thereof, the right side elevation view being a mirror image thereof.
FIG. 5 shows a top plan view thereof; and,
FIG. 6 shows a bottom plan view thereof.
The broken lines shown in the drawings illustrate portions of a container for illustration purposes only, and form no part of the claimed design.

1 Claim, 6 Drawing Sheets



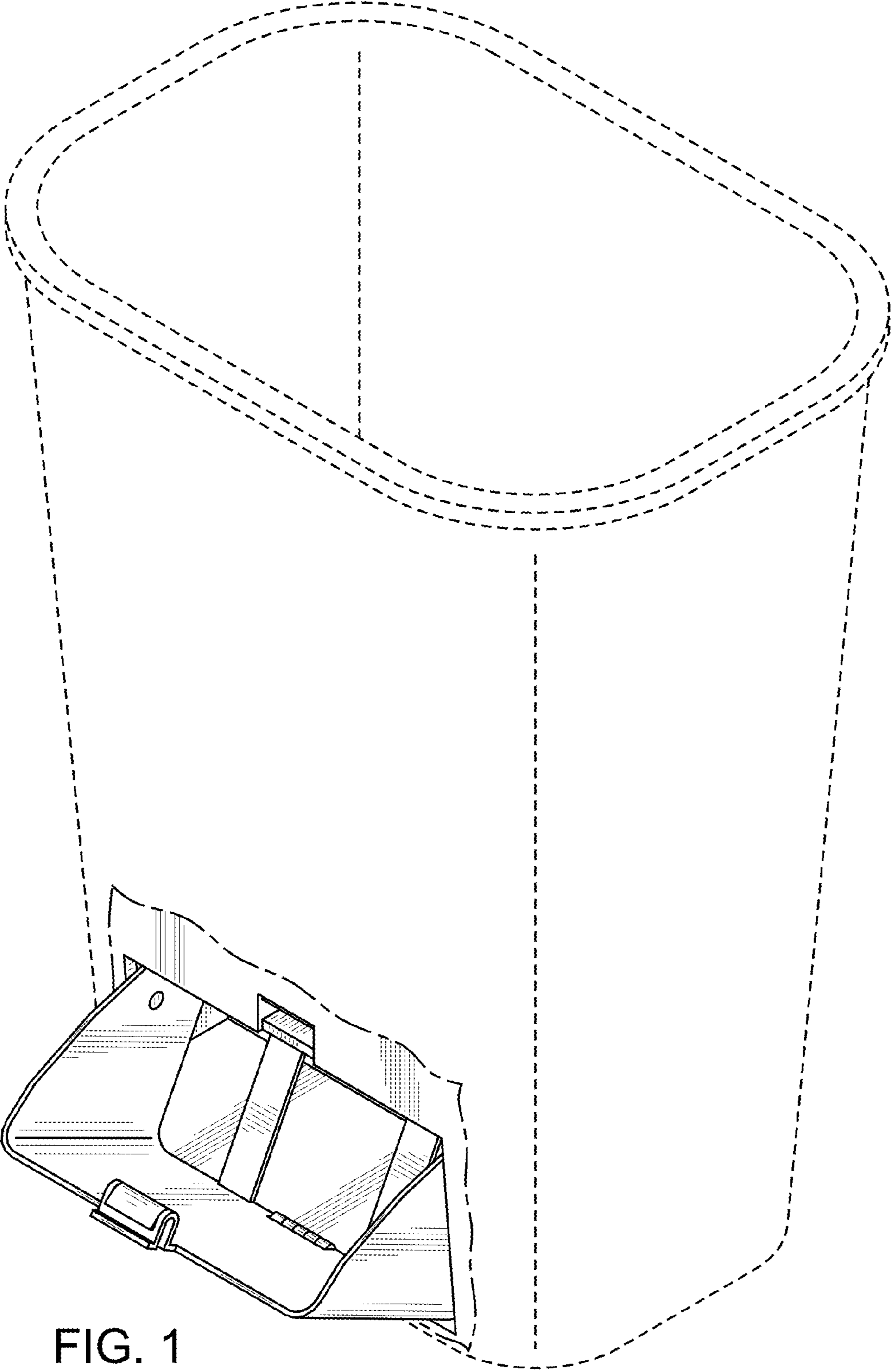


FIG. 1

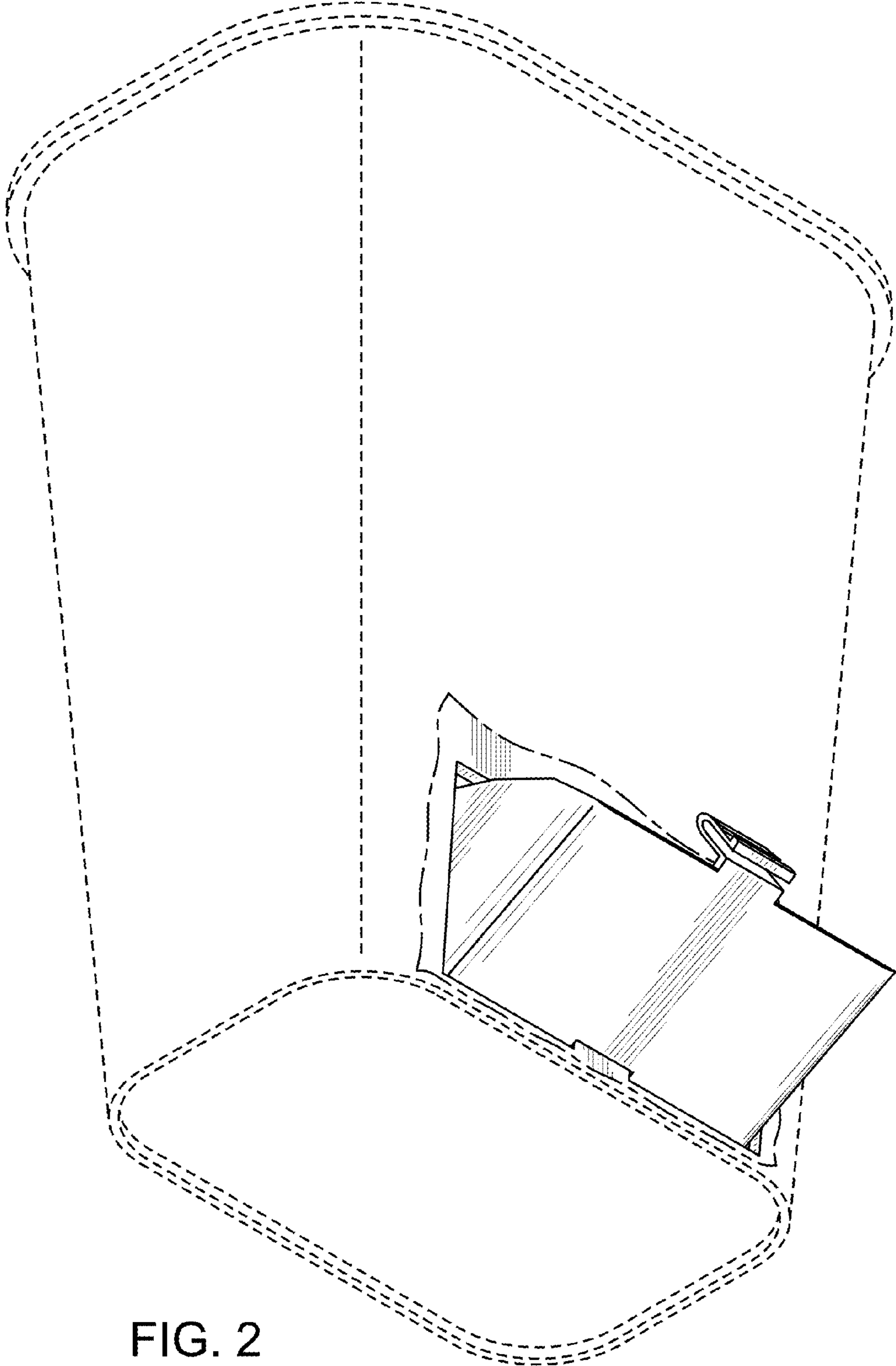


FIG. 2

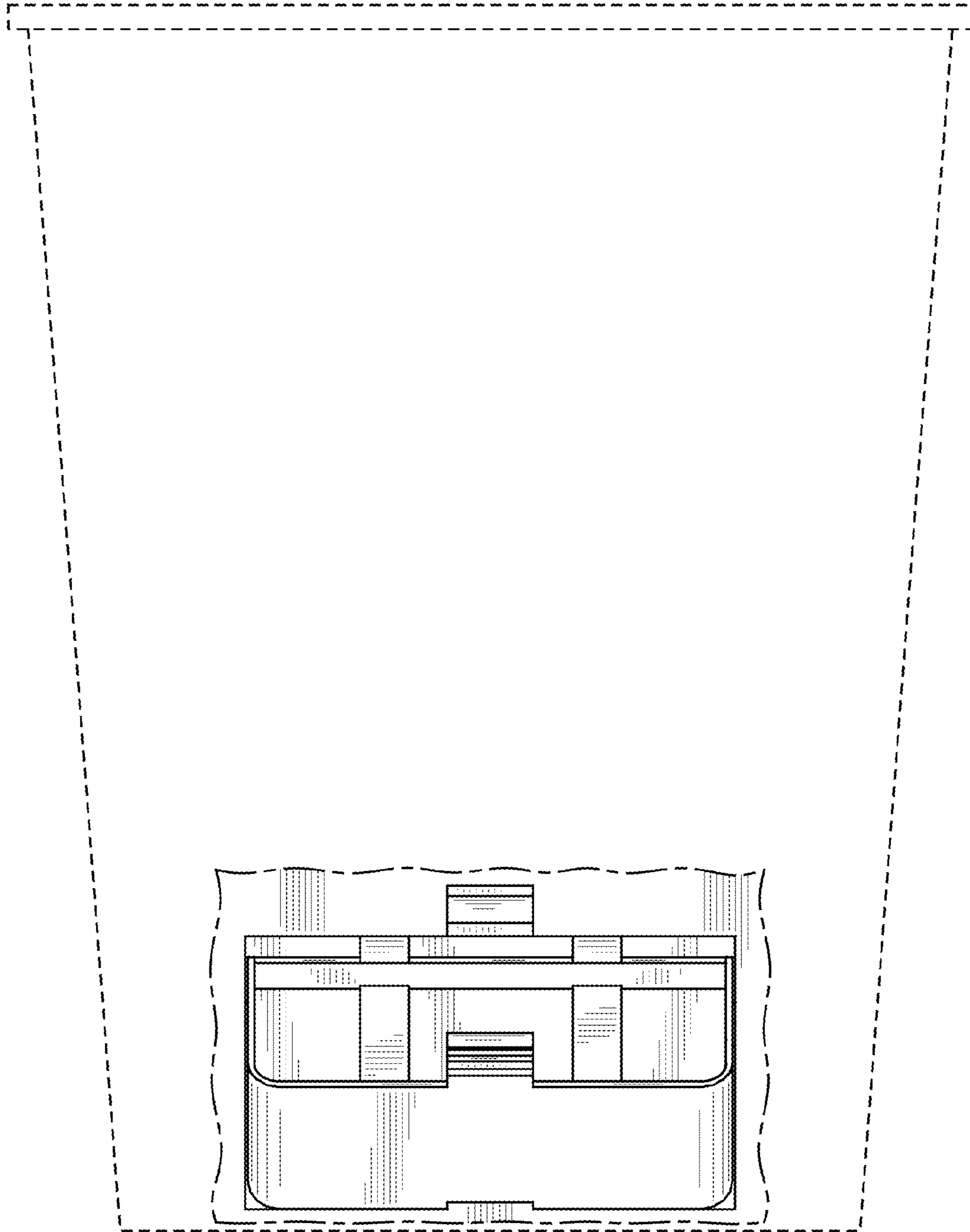


FIG. 3

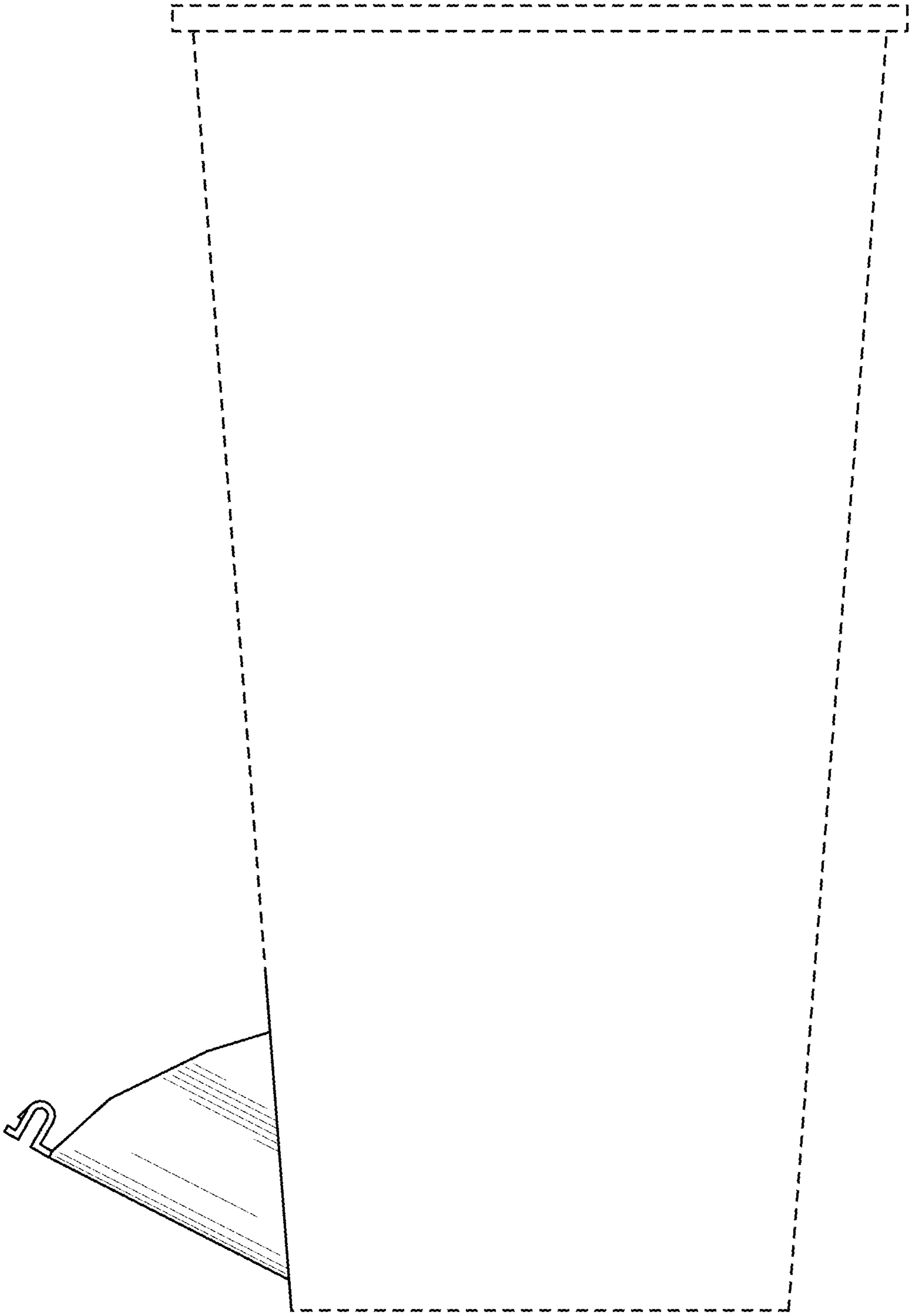


FIG. 4

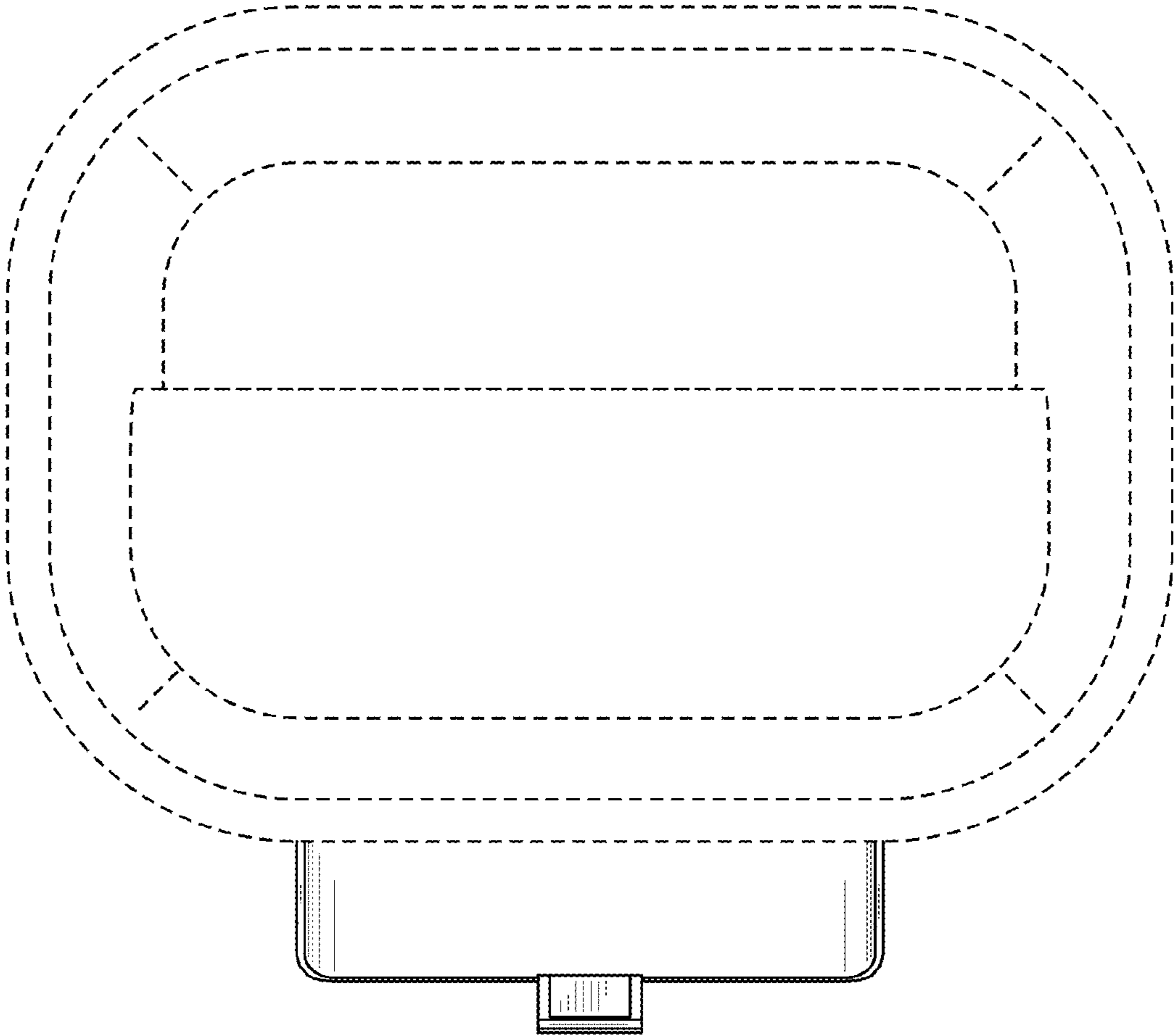


FIG. 5

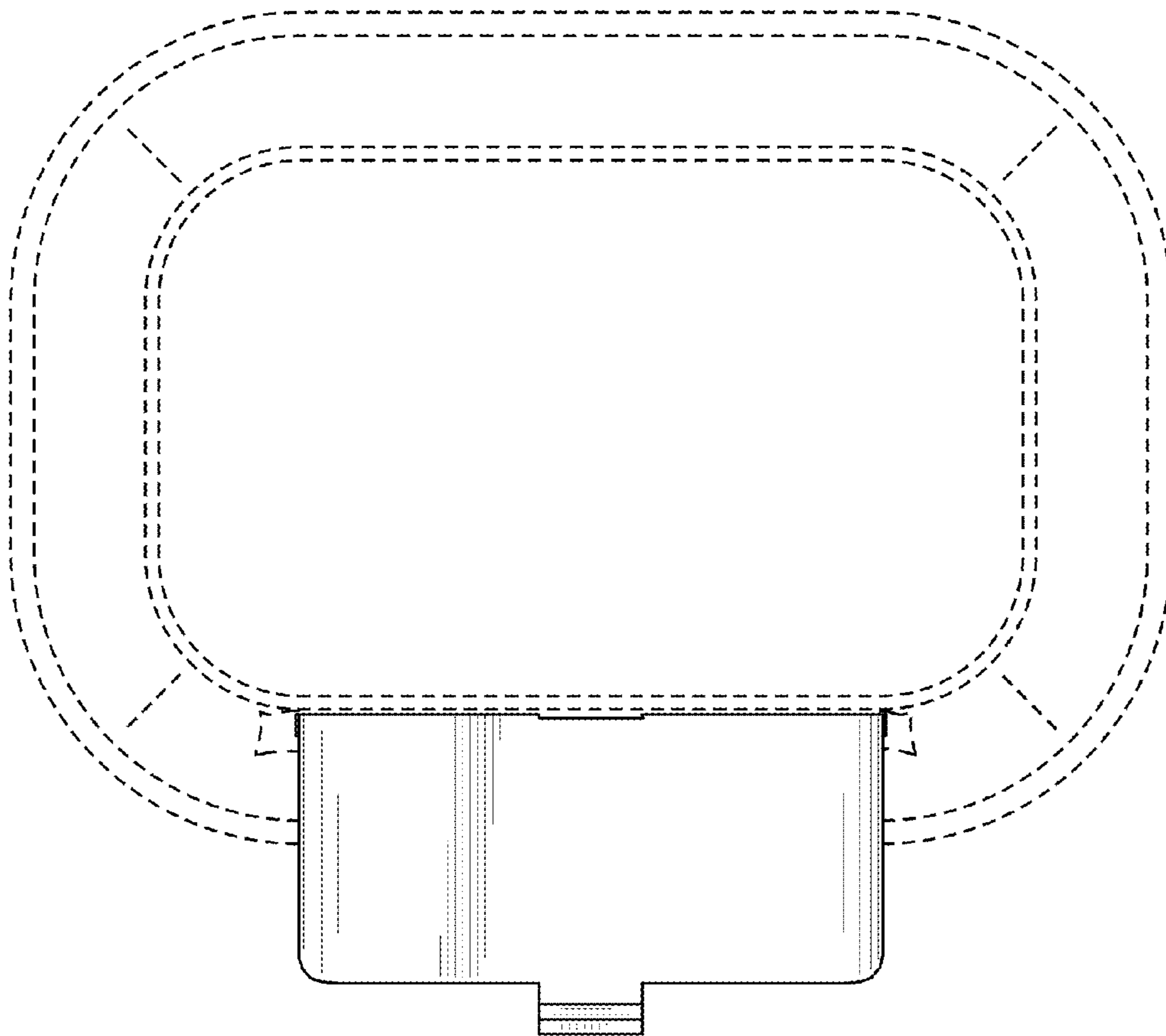


FIG. 6