

US00D761513S

(12) **United States Design Patent**
Traub et al.

(10) **Patent No.:** **US D761,513 S**
(45) **Date of Patent:** **** Jul. 12, 2016**

(54) **DRYING RACK**

(71) Applicant: **Helen of Troy Limited**, Belleville, St. Michael (BB)
(72) Inventors: **John Traub**, Brooklyn, NY (US);
Charles Paradise, Brooklyn, NY (US);
Reid Schlegel, Brooklyn, NY (US);
Alexander Stuhler, New York, NY (US)
(73) Assignee: **Helen of Troy Limited**, Belleville, St. Michael (BB)

(**) Term: **15 Years**

(21) Appl. No.: **29/538,721**

(22) Filed: **Sep. 8, 2015**

(51) **LOC (10) Cl.** **07-05**

(52) **U.S. Cl.**
USPC **D32/56**

(58) **Field of Classification Search**
USPC D32/55, 276, 3; D6/510, 525; D30/133;
211/41.5, 41.4, 41.3, 41.8; 361/679.4;
312/311, 333, 334.4; D7/354, 629
CPC . A47L 15/505; A47L 15/503; A47L 15/0013;
A47L 19/02; A47L 19/04; A47J 47/20
See application file for complete search history.

(56) **References Cited**

U.S. PATENT DOCUMENTS

D196,169 S *	9/1963	Steinberg	D32/56
D266,281 S *	9/1982	Ellis	D32/56
D280,249 S *	8/1985	Martin	D32/56
D288,375 S *	2/1987	Okami	D32/56
D291,737 S *	9/1987	McDaniel, Sr.	D32/56
D292,134 S *	9/1987	McDaniel, Sr.	D32/56
4,947,799 A *	8/1990	Parker	A01K 13/001 119/606
5,109,990 A *	5/1992	Murphy	A47J 47/20

				211/41.3
D337,186 S *	7/1993	Drach	D32/56
D344,828 S *	3/1994	Adams	D32/56
D396,913 S *	8/1998	Forbrich	D32/56
D418,956 S *	1/2000	Hampshire	D32/56
D446,370 S *	8/2001	Avila Adikimenakis	D32/56
D467,399 S *	12/2002	Joseph	D32/56
D518,143 S *	3/2006	Weidler	D23/209
D652,598 S *	1/2012	Joseph	D32/56
D693,082 S *	11/2013	Evans	D32/56
D711,059 S *	8/2014	Evans	D32/56
D739,989 S *	9/2015	Baez	D32/56

* cited by examiner

Primary Examiner — Austin Murphy

(74) *Attorney, Agent, or Firm* — Rankin, Hill & Clark LLP

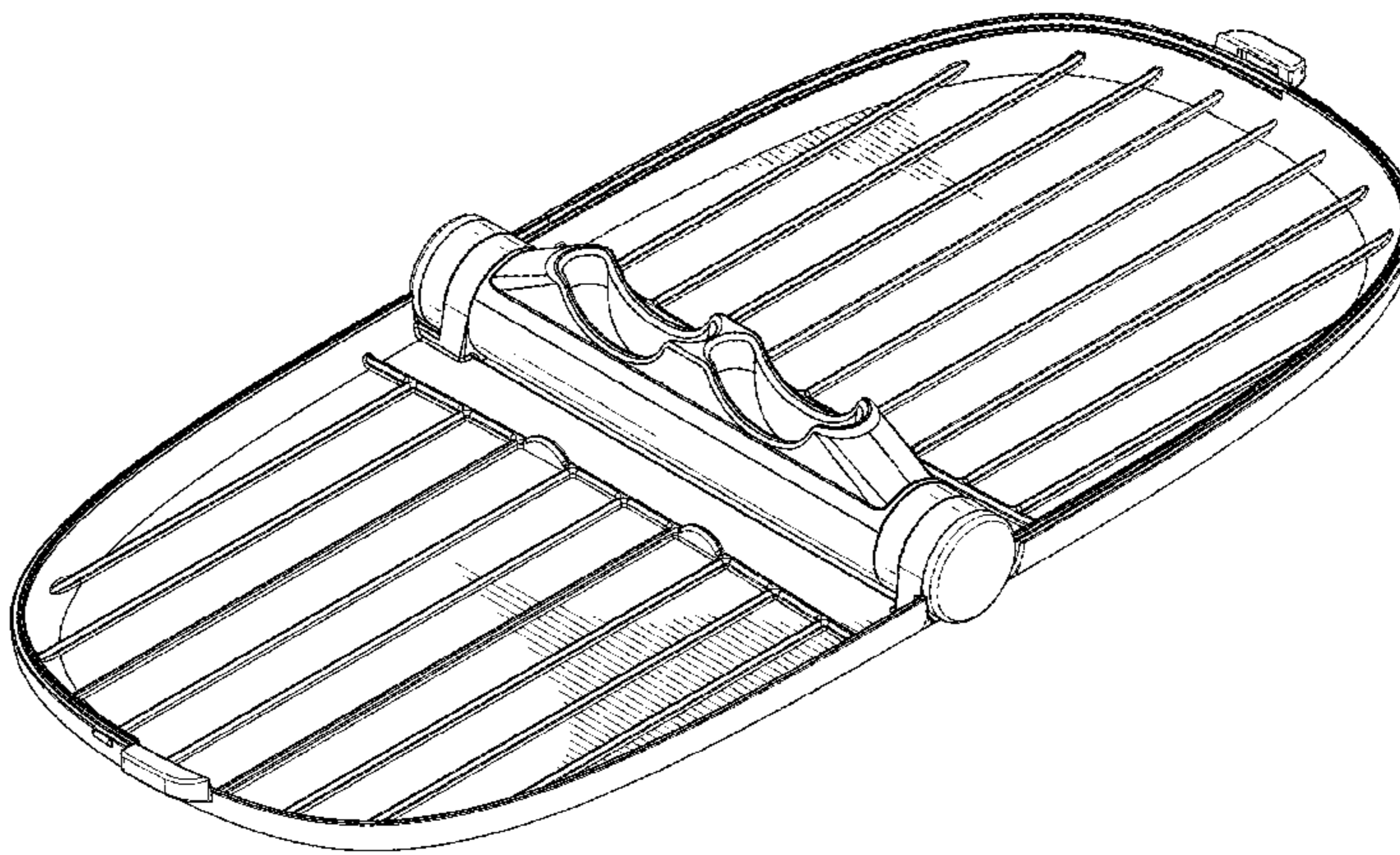
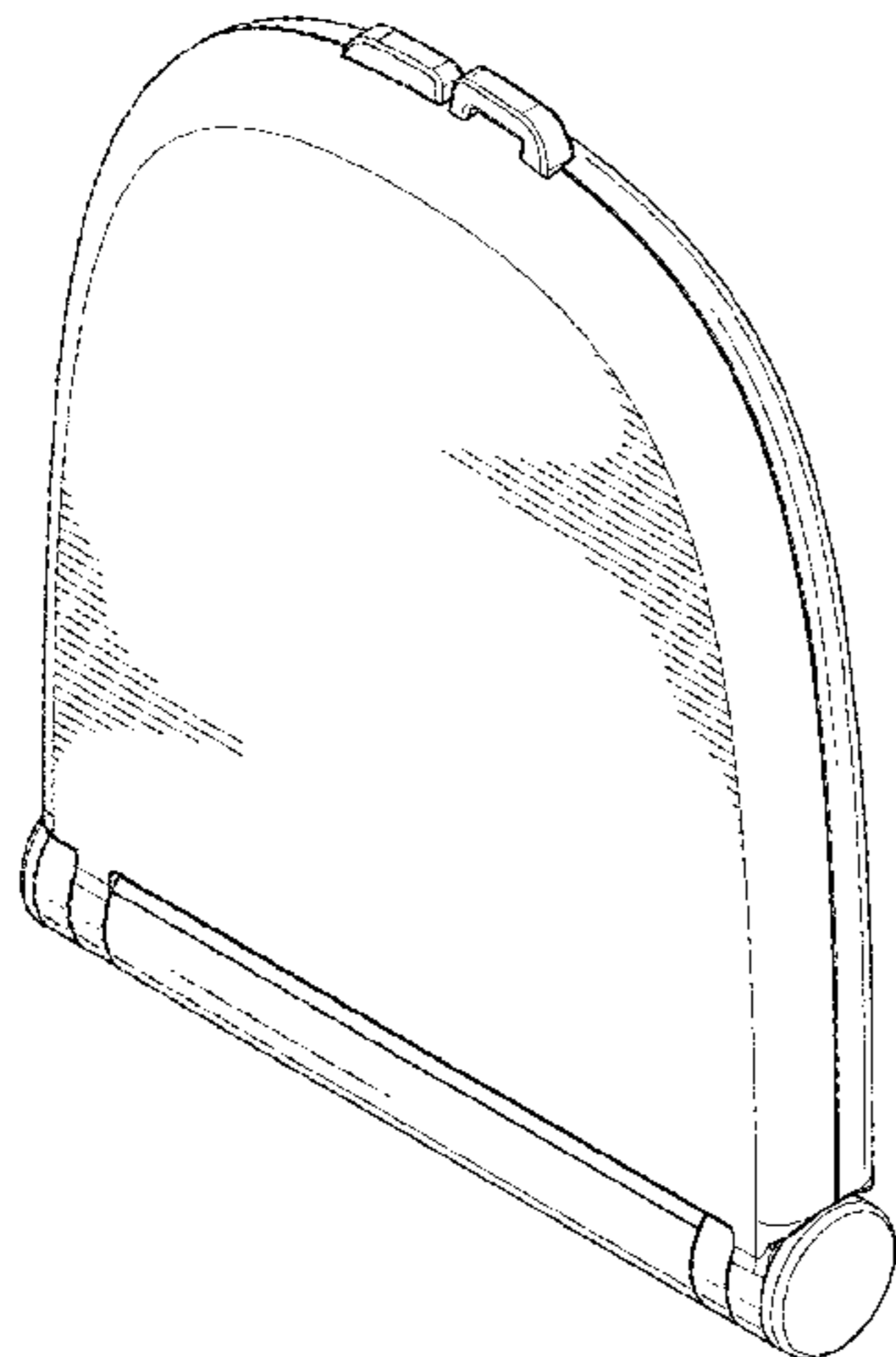
(57) **CLAIM**

The ornamental design for a drying rack, as shown and described.

DESCRIPTION

FIG. 1 is a perspective view of a drying rack in a closed position;
FIG. 2 is a front elevation view thereof;
FIG. 3 is a rear elevation view thereof;
FIG. 4 is a left side elevation view thereof;
FIG. 5 is a right side elevation view thereof;
FIG. 6 is a top plan view thereof;
FIG. 7 is a bottom plan view thereof;
FIG. 8 is a perspective view of a drying rack in an open position;
FIG. 9 is a front elevation view thereof;
FIG. 10 is a rear elevation view thereof;
FIG. 11 is a left side elevation view thereof;
FIG. 12 is a right side elevation view thereof;
FIG. 13 is a top plan view thereof; and,
FIG. 14 is a bottom plan view thereof.

1 Claim, 10 Drawing Sheets



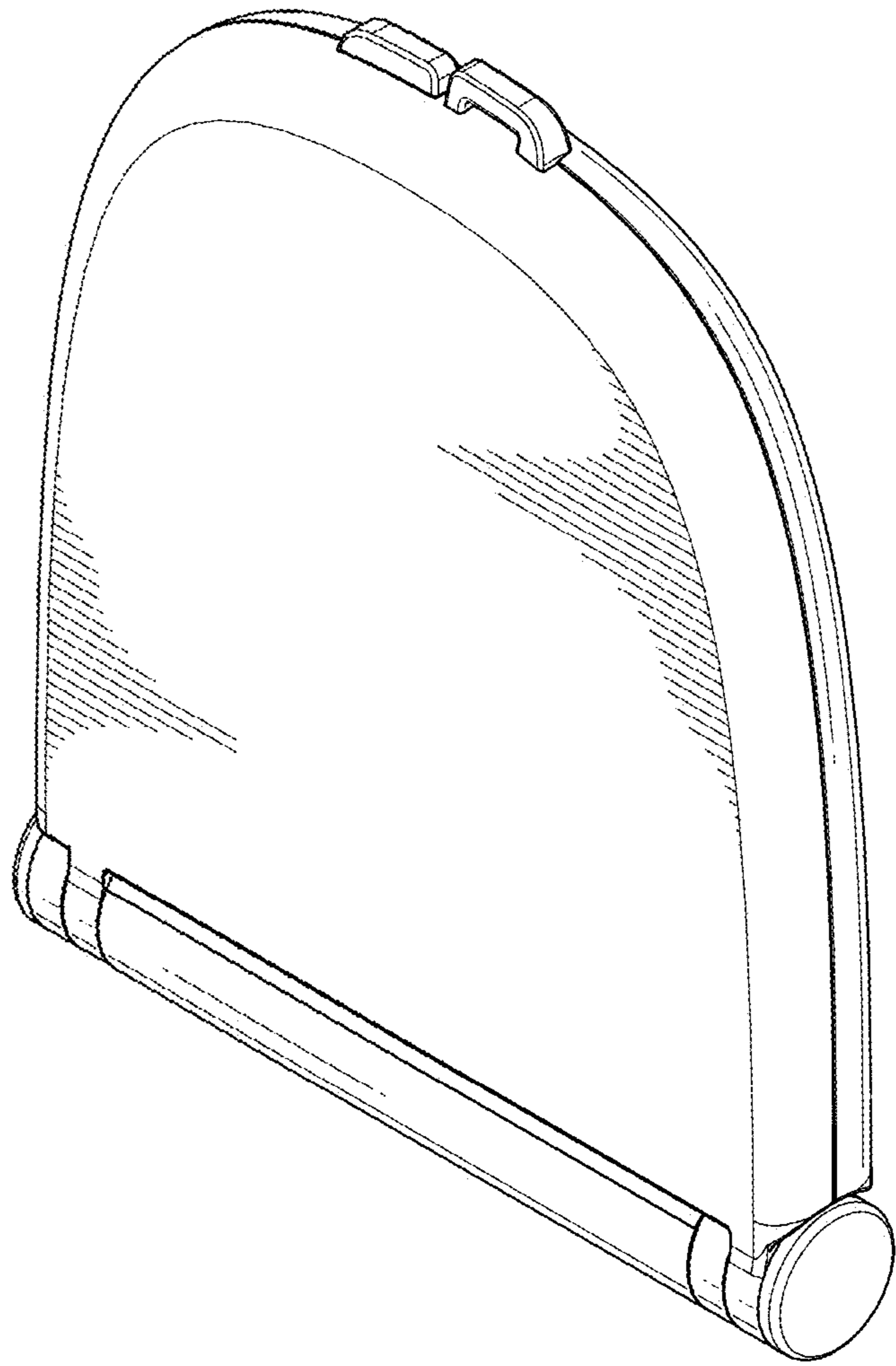


FIG. 1

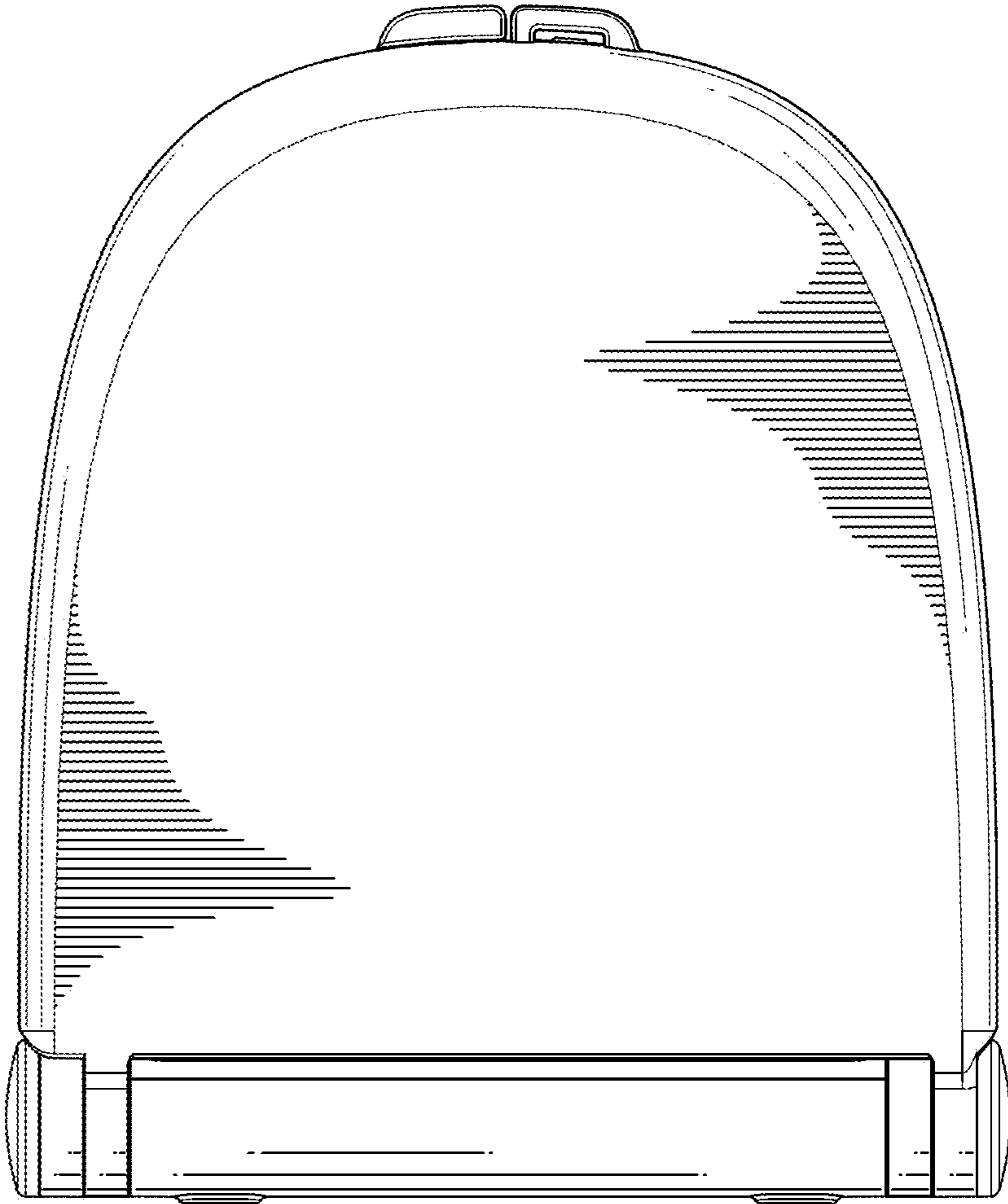


FIG. 2

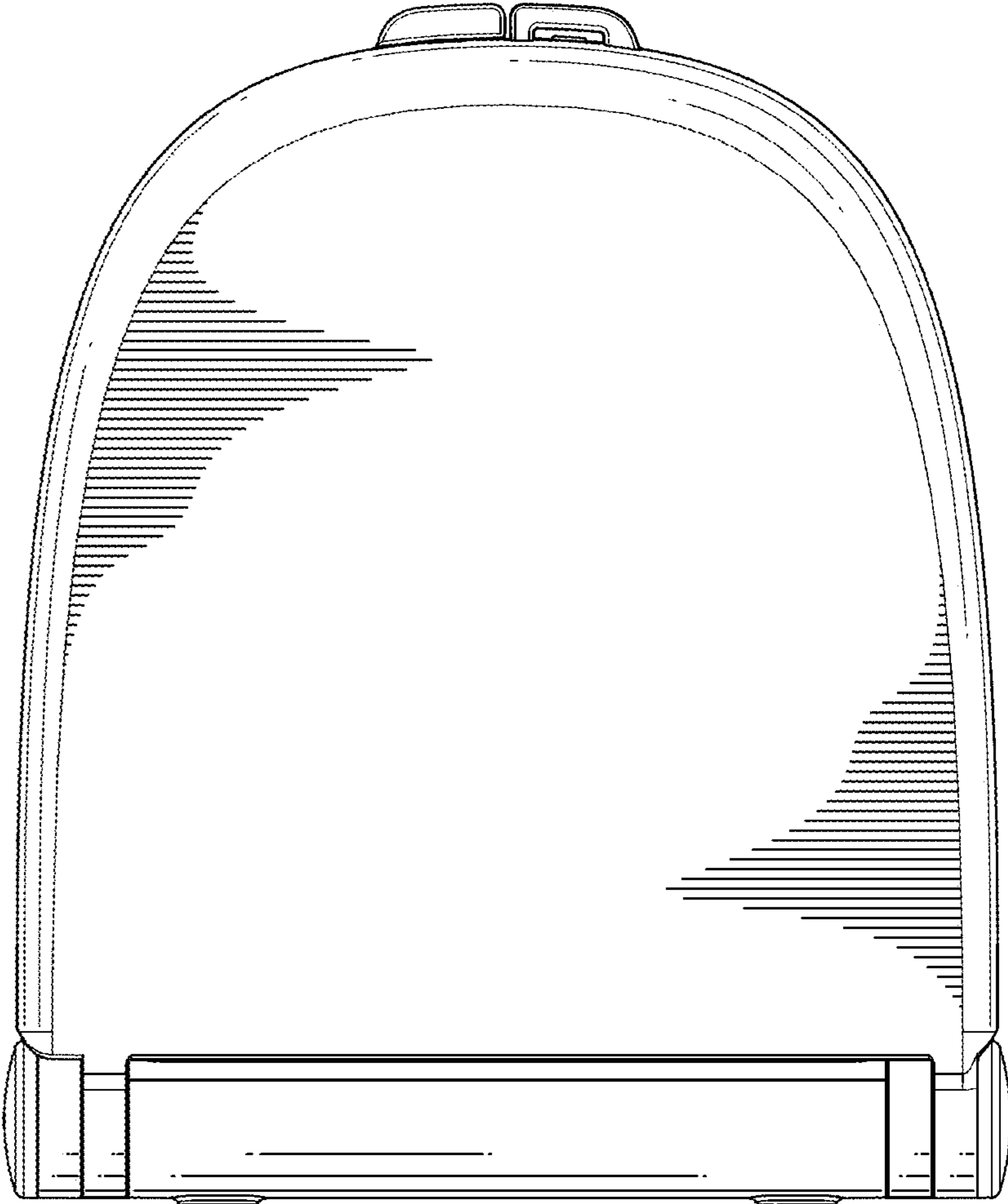


FIG. 3

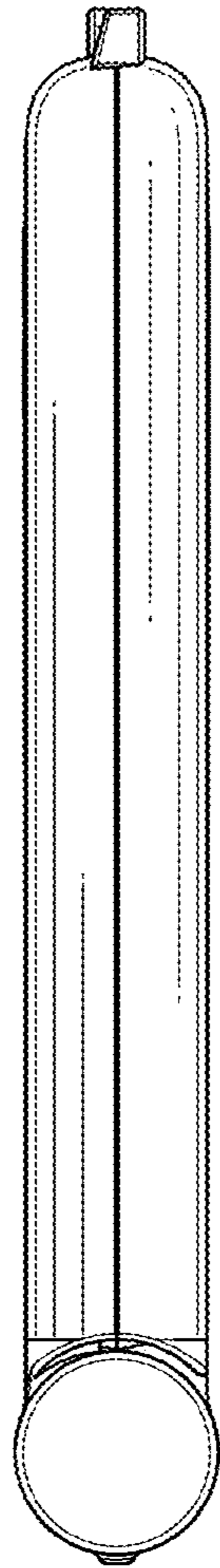


FIG. 4

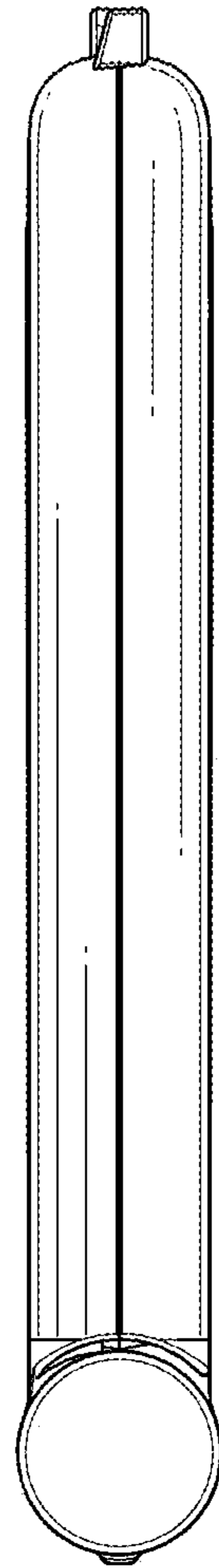


FIG. 5

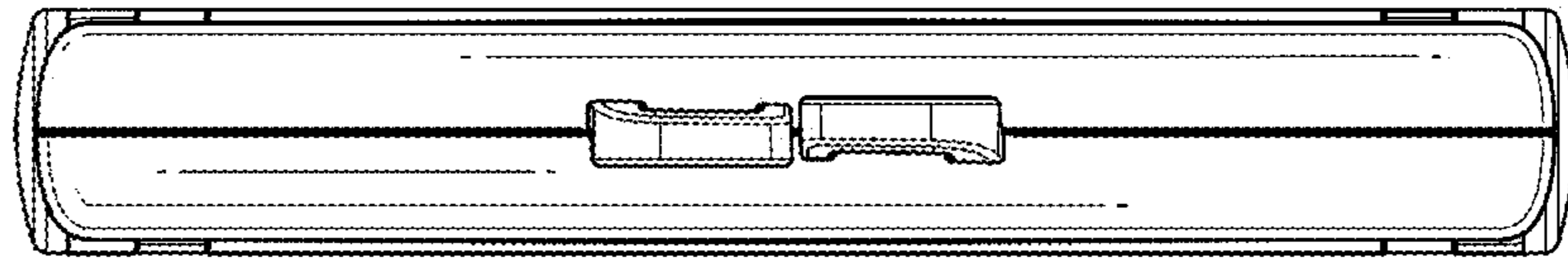


FIG. 6

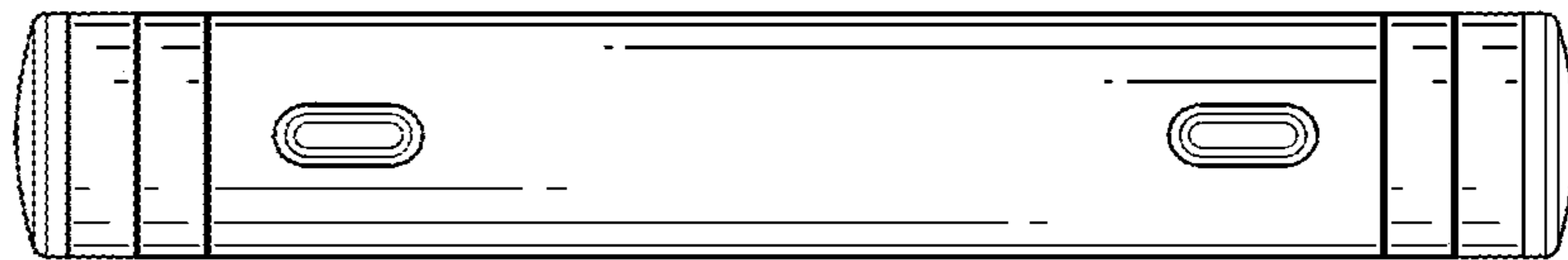


FIG. 7

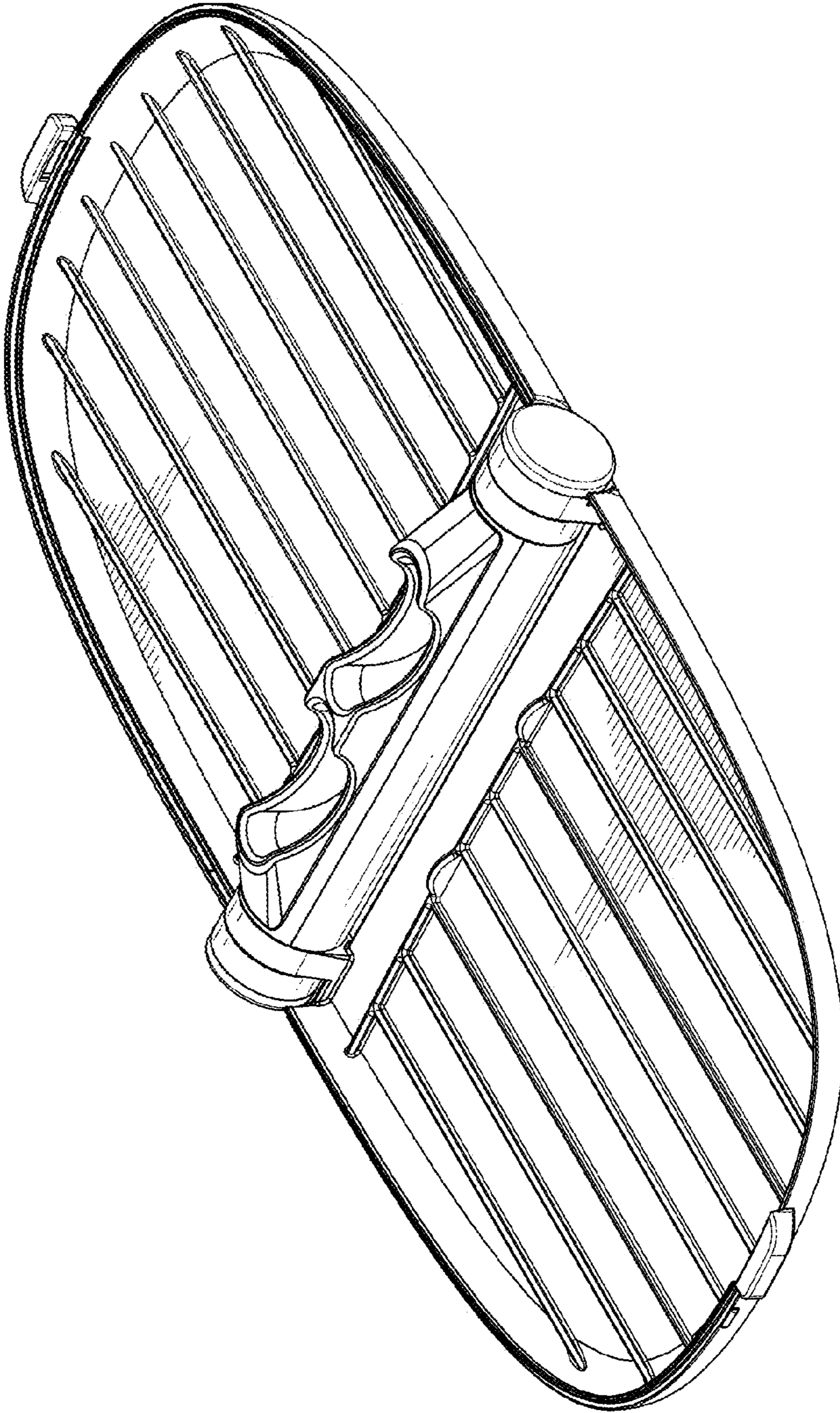


FIG.8

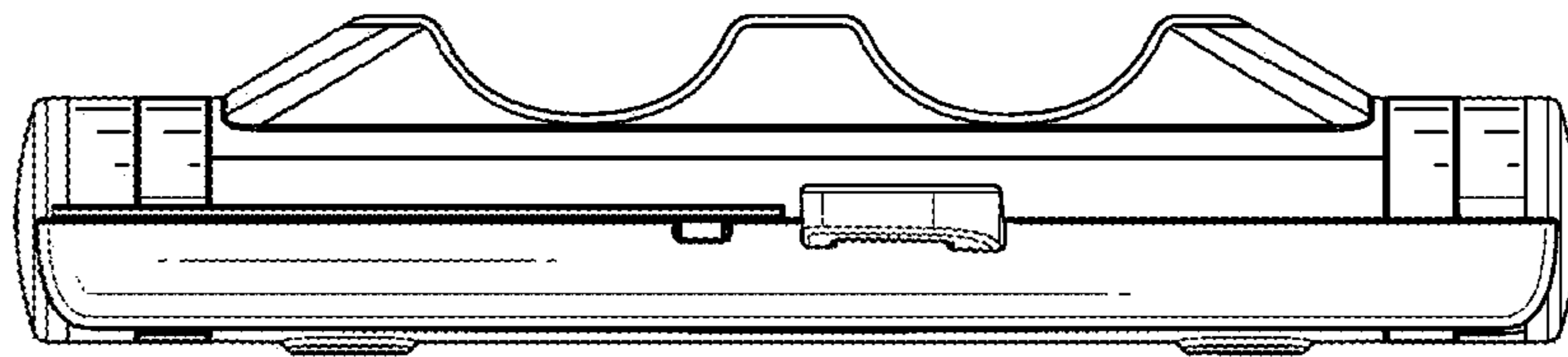


FIG. 9

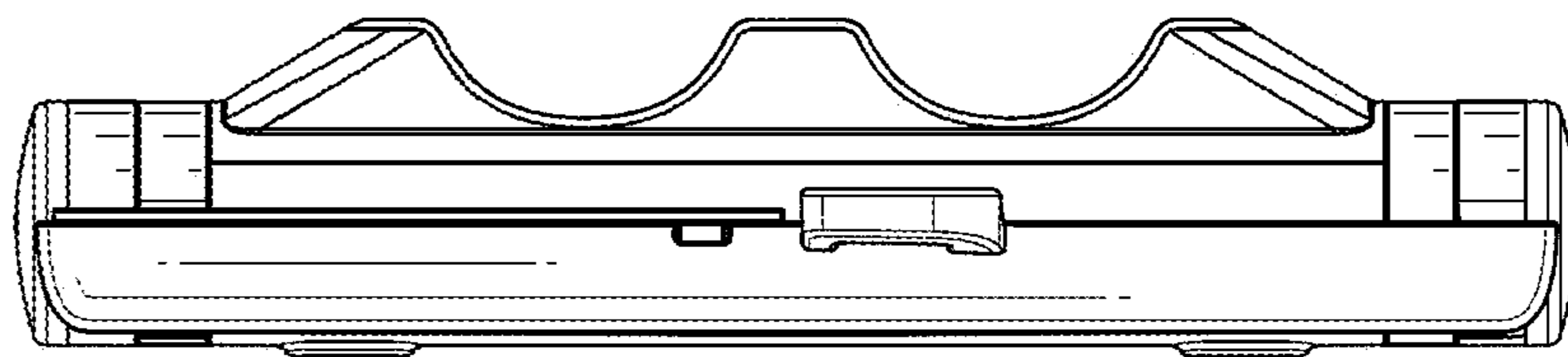


FIG. 10

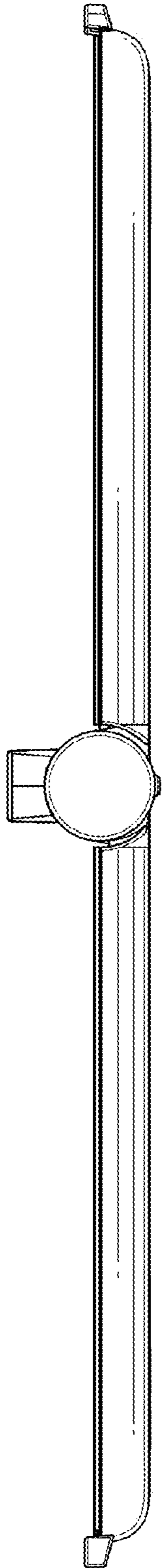


FIG. 11

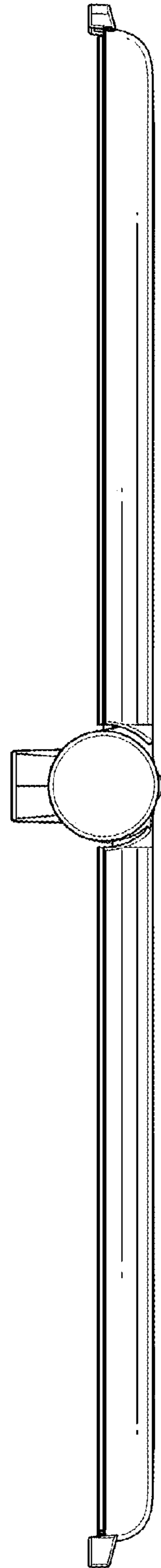


FIG. 12

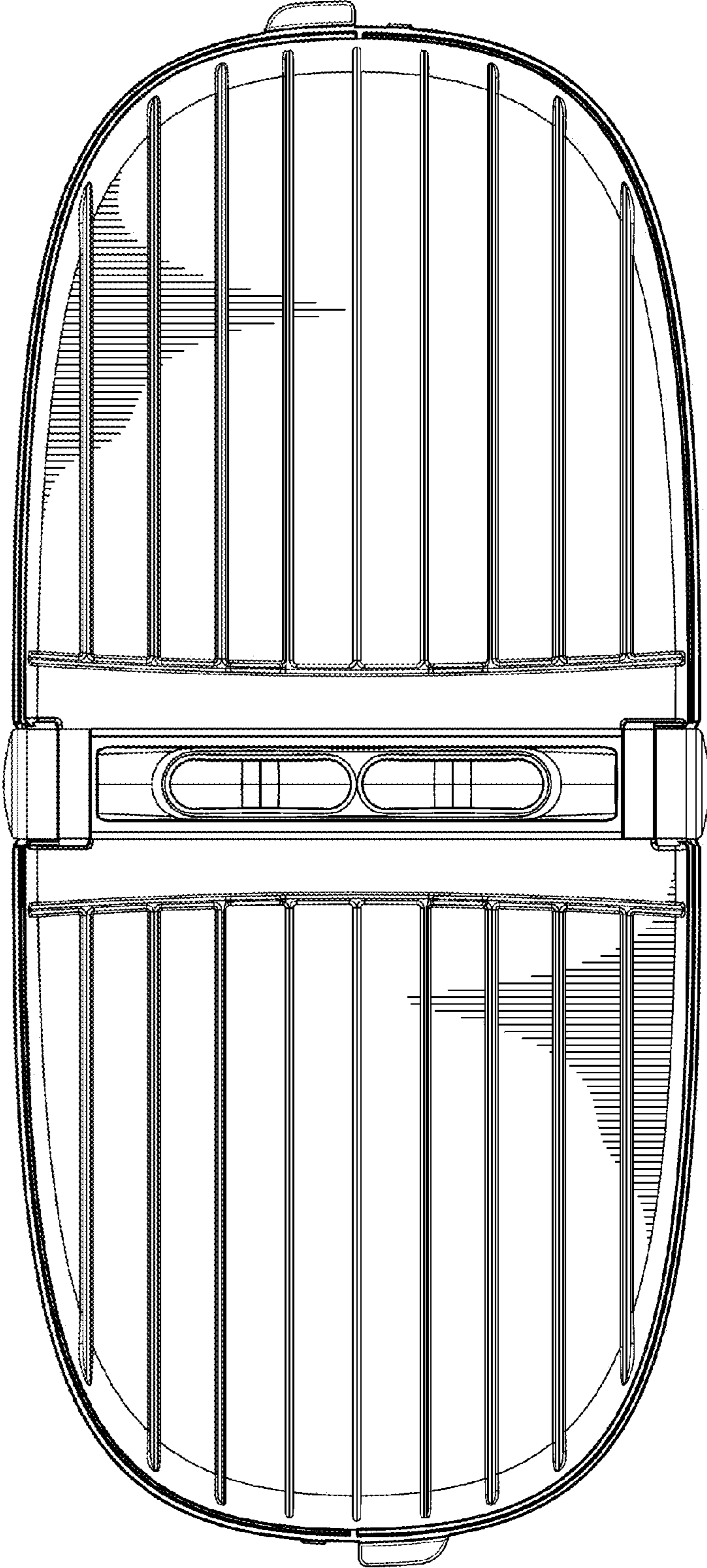


FIG. 13

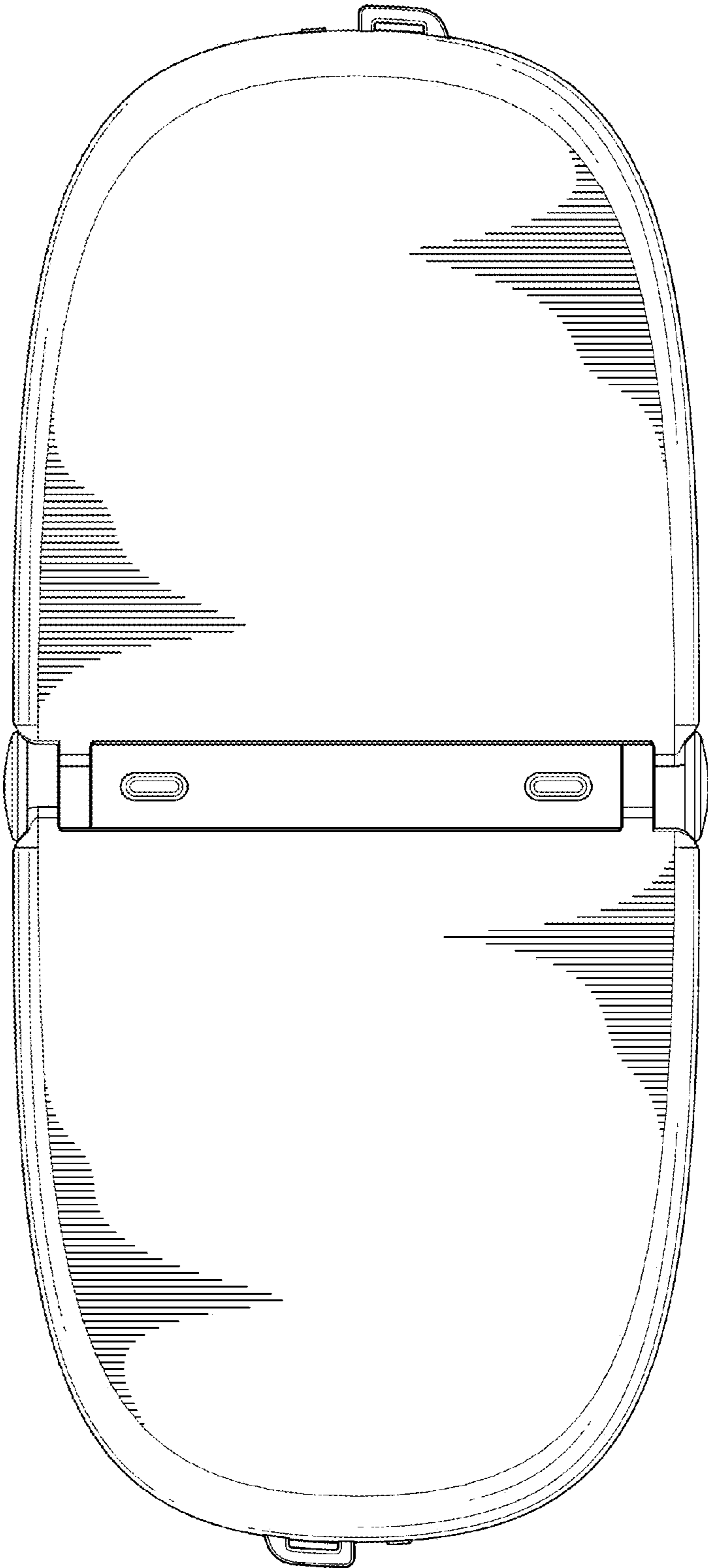


FIG. 14