

US00D761511S

(12) **United States Design Patent**  
**Malvasio**

(10) **Patent No.:** **US D761,511 S**  
(45) **Date of Patent:** **\*\* Jul. 12, 2016**

- (54) **COMBINATION PAINT CUP WITH BRUSH HOLDER AND ROLLER WALL**
- (71) Applicant: **William A. Malvasio**, Franklin, WI (US)
- (72) Inventor: **William A. Malvasio**, Franklin, WI (US)
- (\*\*) Term: **14 Years**
- (21) Appl. No.: **29/502,709**
- (22) Filed: **Sep. 18, 2014**
- (51) **LOC (10) Cl.** ..... **07-07**
- (52) **U.S. Cl.**  
USPC ..... **D32/53.1**
- (58) **Field of Classification Search**  
USPC ..... D32/53, 53.1, 54; 220/694-698, 735, 220/736  
CPC ..... B44D 3/128; B44D 3/12; B44D 3/126; A47L 13/58; B65D 35/22; B65D 25/14  
See application file for complete search history.

2,705,334 A	4/1995	Farrow	
2,712,668 A	7/1995	Thiele	
5,511,279 A	4/1996	Ippolito	
5,553,701 A	9/1996	Jarecki et al.	
5,810,196 A	9/1998	Lundy	
6,062,389 A	5/2000	Kent	
6,065,633 A	5/2000	Abbey	
6,105,813 A	8/2000	Abbey	
6,138,963 A	10/2000	Malvasio	
6,199,718 B1	3/2001	Ellis	
D444,929 S	7/2001	Cox	
D448,130 S	9/2001	Wagner	
D457,995 S	5/2002	Clark	
D458,723 S	6/2002	Malvasio	
6,446,829 B1 *	9/2002	Malvasio	..... B44D 3/123 220/697
D473,689 S	4/2003	Verhaar	
D477,702 S	7/2003	Kohn	
D481,502 S	10/2003	Clark	
D483,917 S *	12/2003	Frantz	..... D32/53.1
6,871,825 B2	3/2005	Song	

(Continued)

*Primary Examiner* — Robin V Webster  
(74) *Attorney, Agent, or Firm* — Quickpatents, LLC; Kevin Prince

(56) **References Cited**  
U.S. PATENT DOCUMENTS

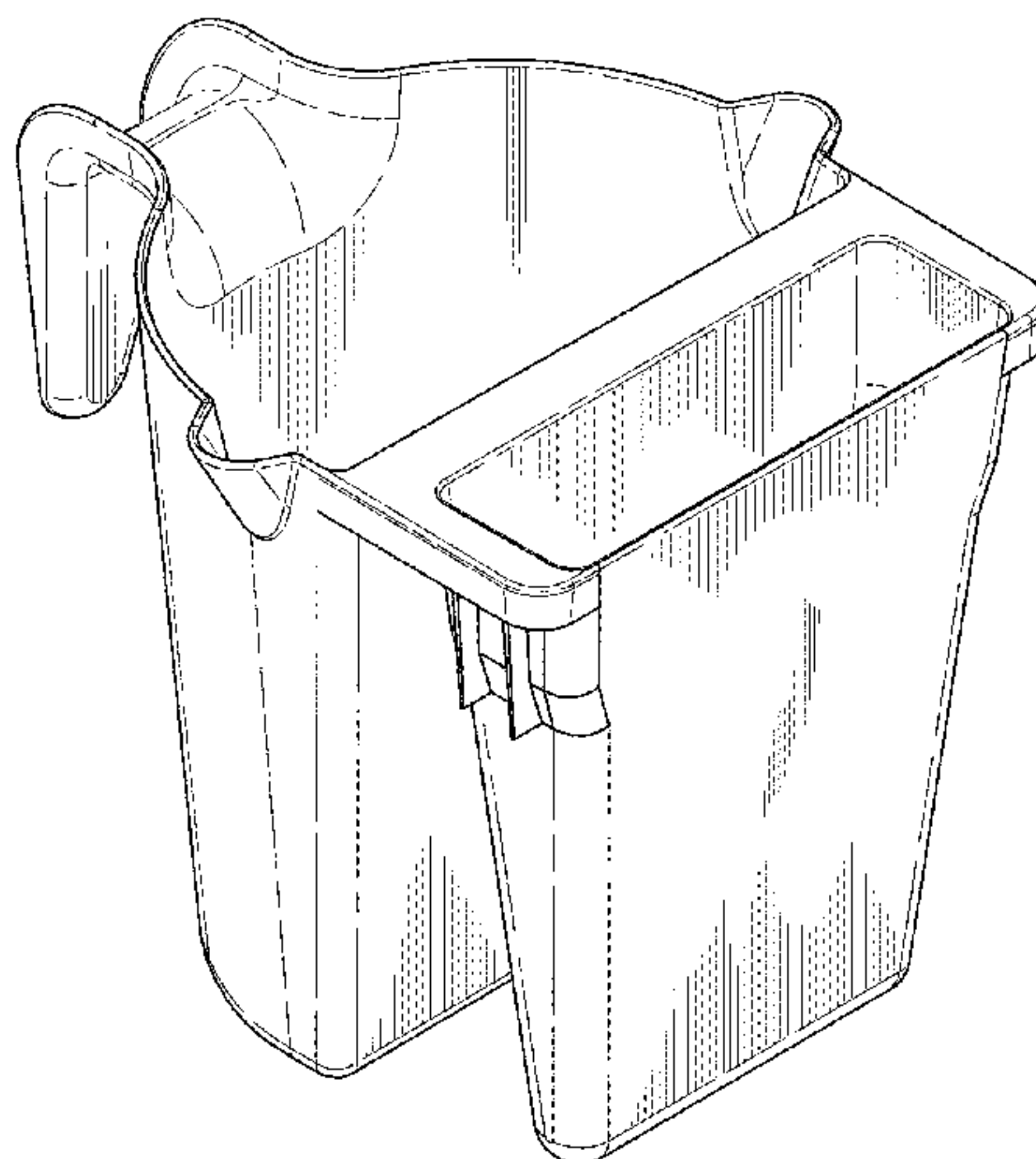
1,848,331 A	3/1932	Esslinger	
2,215,691 A	9/1940	East	
2,896,809 A	7/1959	Metzger et al.	
D186,195 S	9/1959	Cole	
D212,831 S	11/1968	Koch	
3,493,988 A	2/1970	Tidwell	
3,671,992 A	6/1972	Linger	
4,164,299 A	8/1979	Fuhr	
4,428,493 A	1/1984	McDonough	
4,436,217 A	3/1984	Ritter	
4,491,234 A	1/1985	Wilcock	
4,865,282 A	9/1989	Yonkman et al.	
4,927,046 A	5/1990	Armstrong	
5,207,348 A	5/1993	Fischer et al.	
5,261,577 A	11/1993	Goldstein et al.	
5,297,695 A *	3/1994	Provence	..... B44D 3/123 220/23.83
5,322,183 A	6/1994	Strachan	
5,341,969 A	8/1994	Accardo et al.	

(57) **CLAIM**  
I claim the ornamental design for a combination paint cup with brush holder and roller wall, as shown and described.

**DESCRIPTION**

FIG. 1 is a front perspective view of a combination paint cup with brush holder and roller wall, showing my new design; FIG. 2 is a rear perspective view thereof; FIG. 3 is a front elevational view thereof; FIG. 4 is a rear elevational view thereof; FIG. 5 is a left-side elevational view thereof, the right-side elevational view being a mirror image thereof; FIG. 6 is a top plan view thereof; FIG. 7 is a bottom plan view thereof; and, FIG. 8 is a cross-sectional view thereof, taken along line 8-8 of FIG. 6.

**1 Claim, 6 Drawing Sheets**



(56)

**References Cited**

U.S. PATENT DOCUMENTS

D518,263 S 3/2006 Verhaar  
7,090,072 B1 8/2006 Elliott  
D535,794 S 1/2007 Lundy et al.  
D537,996 S \* 3/2007 Lundy ..... D32/53.1  
7,191,913 B2 3/2007 Byrne  
D581,119 S 11/2008 Bergman  
7,467,728 B2 \* 12/2008 Lundy ..... B44D 3/12  
220/505

D617,517 S 6/2010 Bergman  
8,505,788 B2 8/2013 Thibault  
D690,482 S 9/2013 Bergman et al.  
D692,198 S 10/2013 Bergman et al.  
8,556,116 B2 10/2013 Bergman et al.  
D697,281 S 1/2014 Bergman et al.  
2004/0173622 A1 9/2004 Findleton  
2006/0226154 A1 10/2006 Lundy et al.

\* cited by examiner

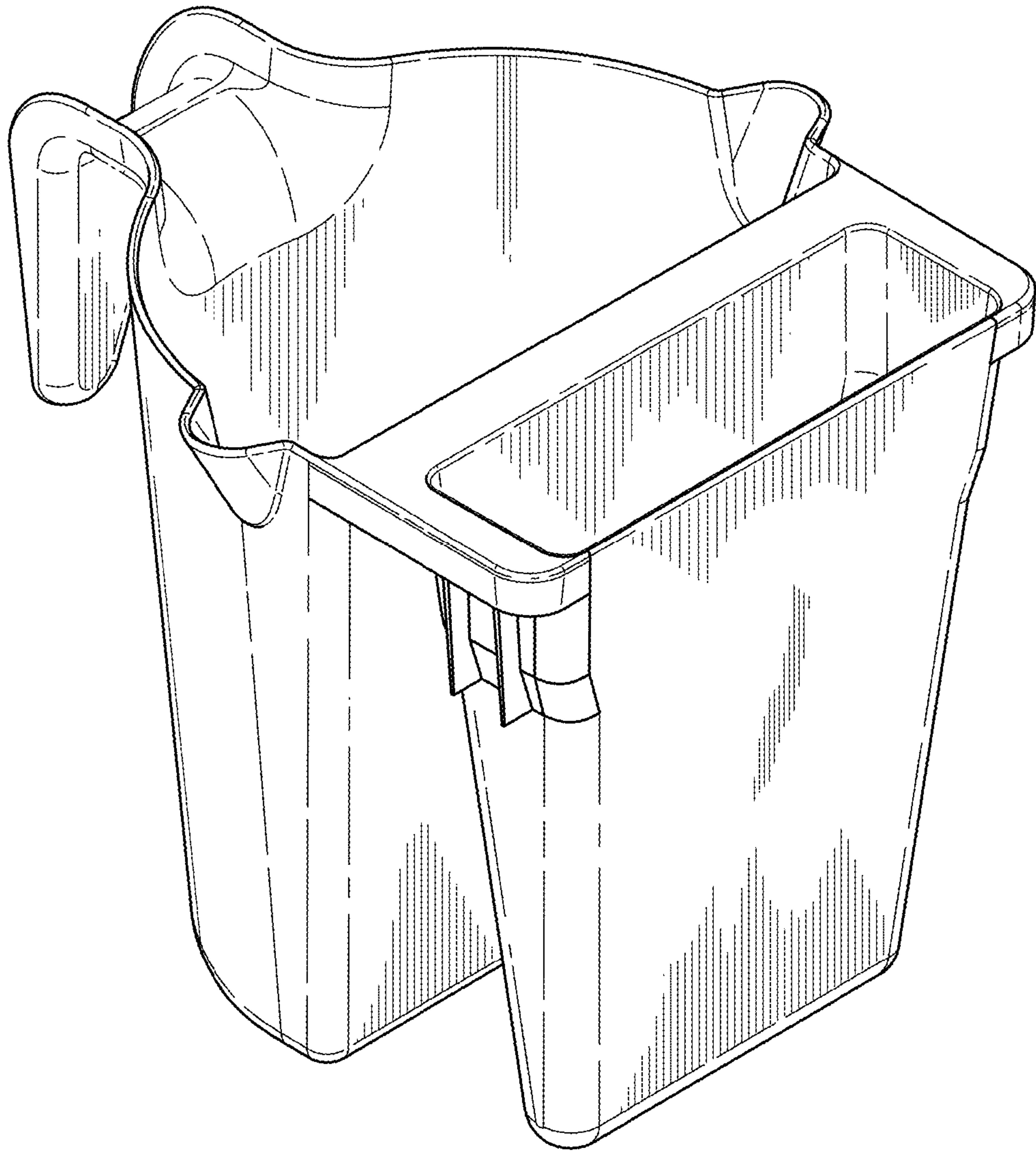


FIG. 1

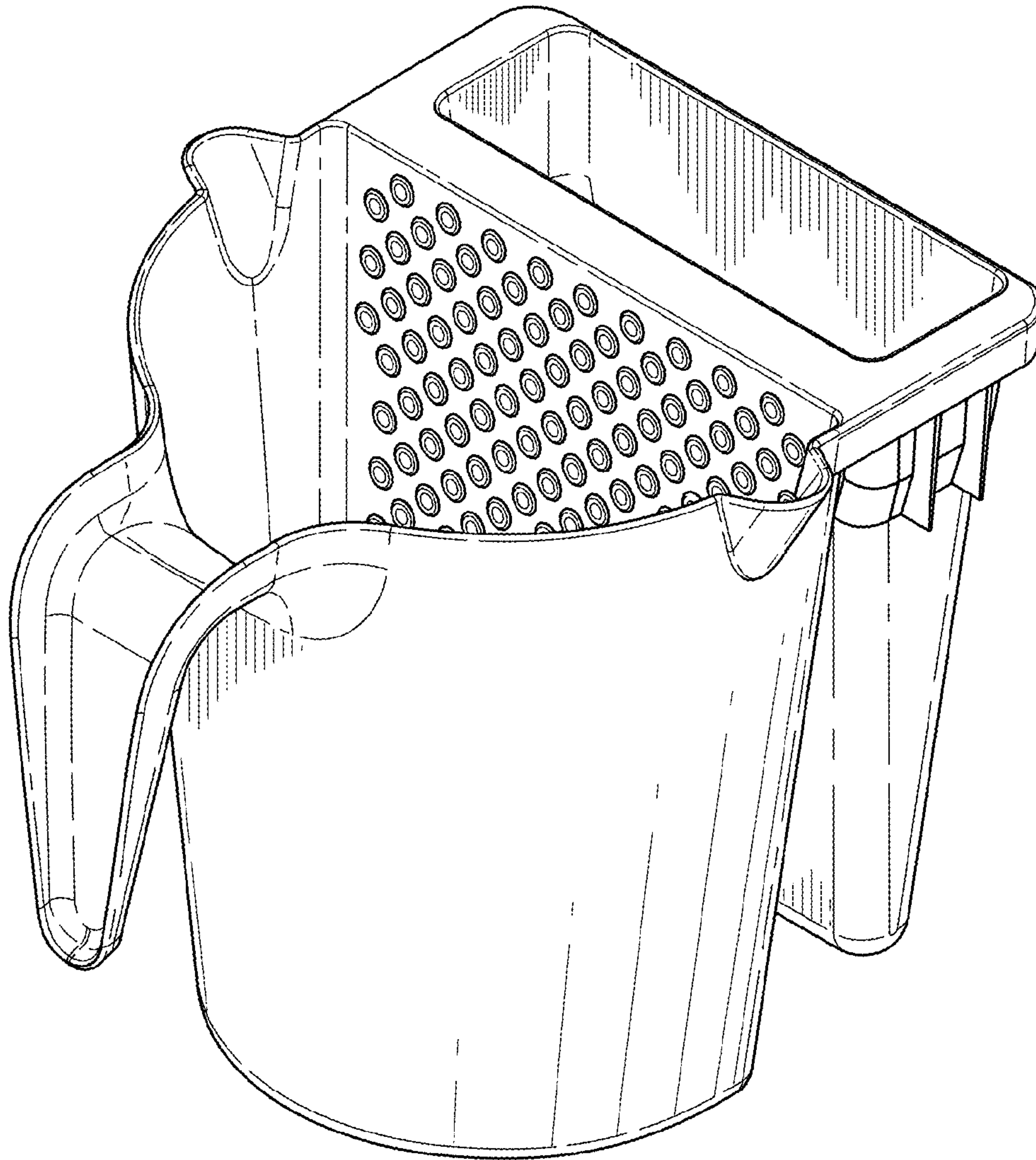


FIG. 2



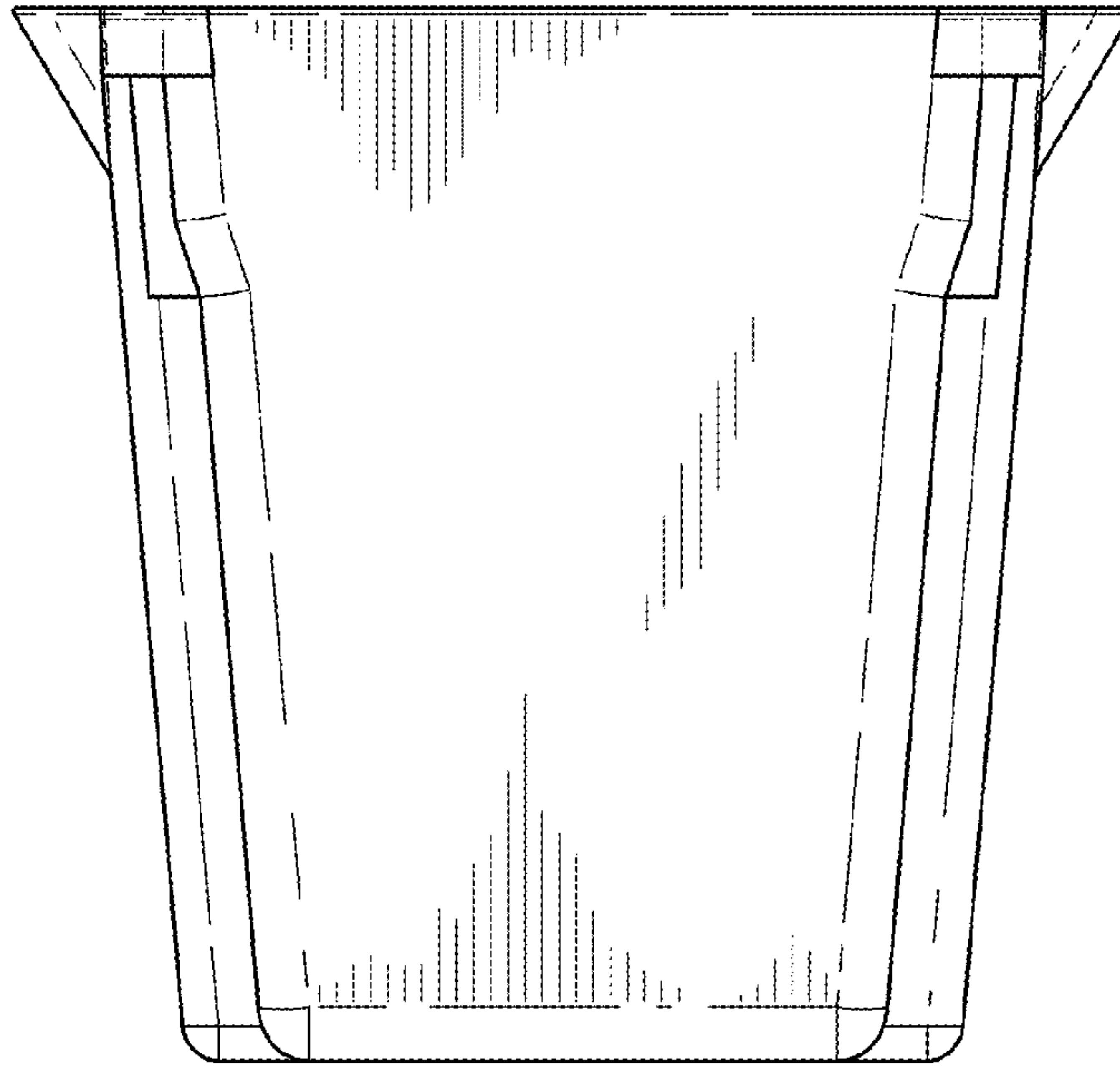


FIG. 3

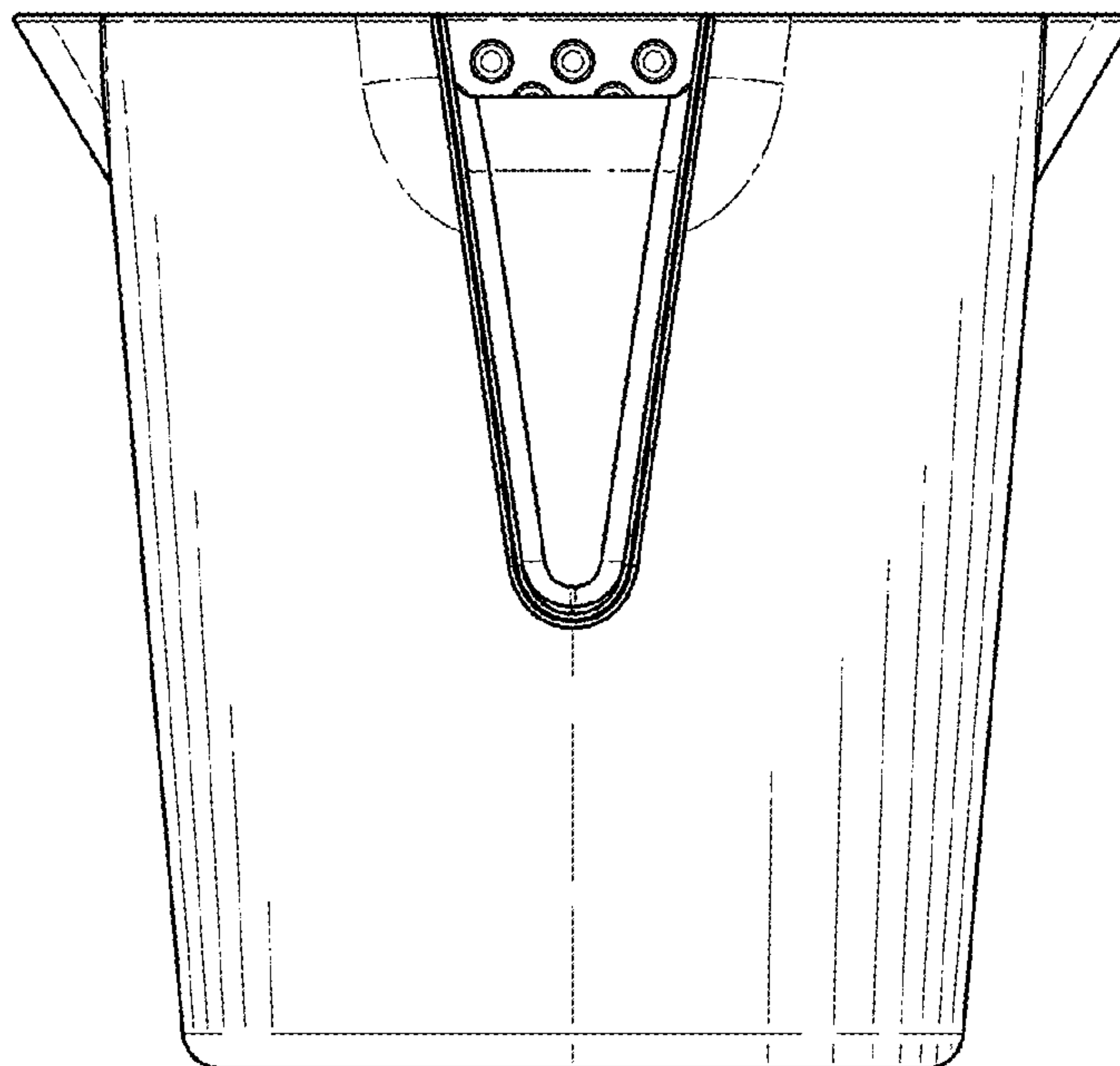


FIG. 4

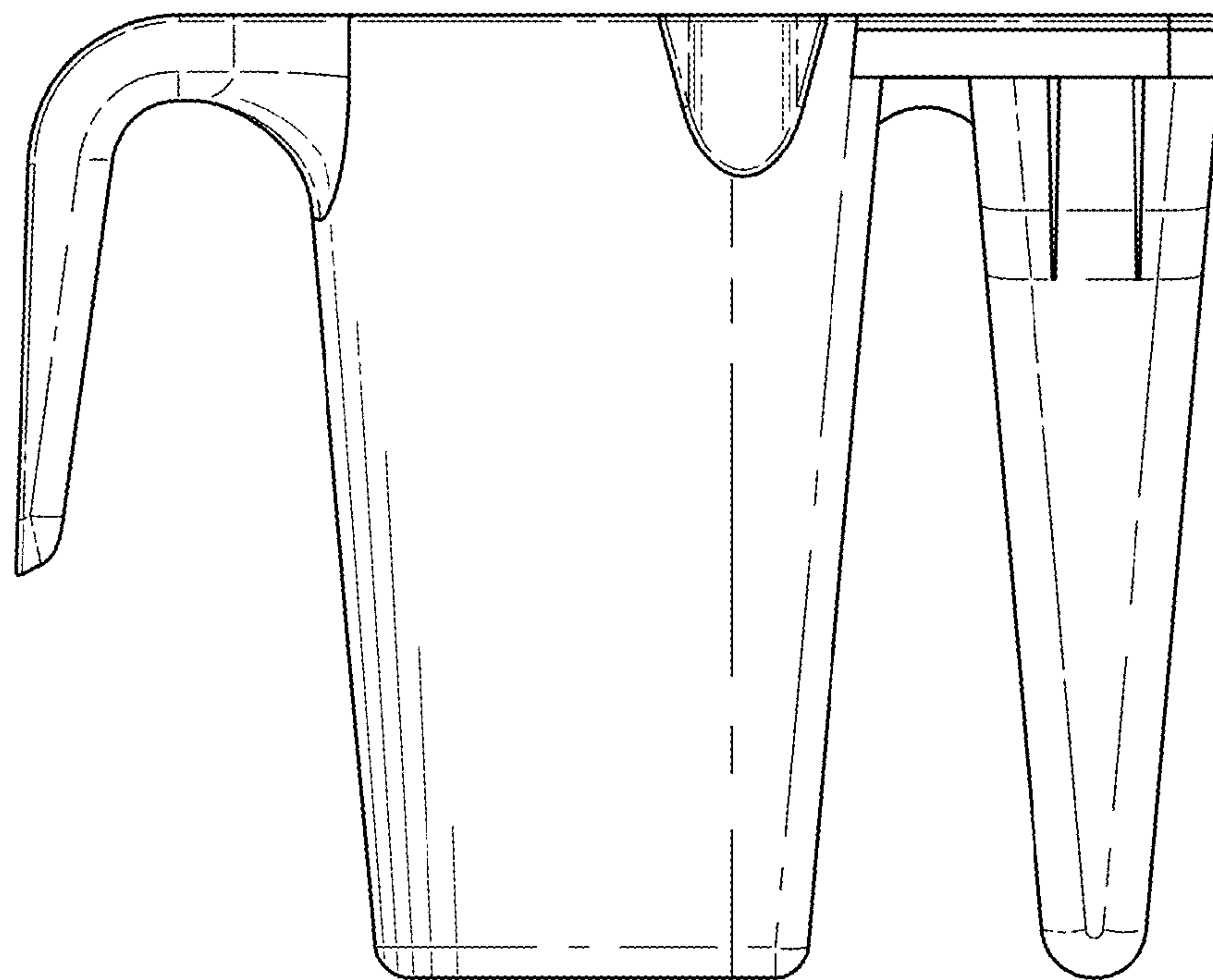


FIG. 5

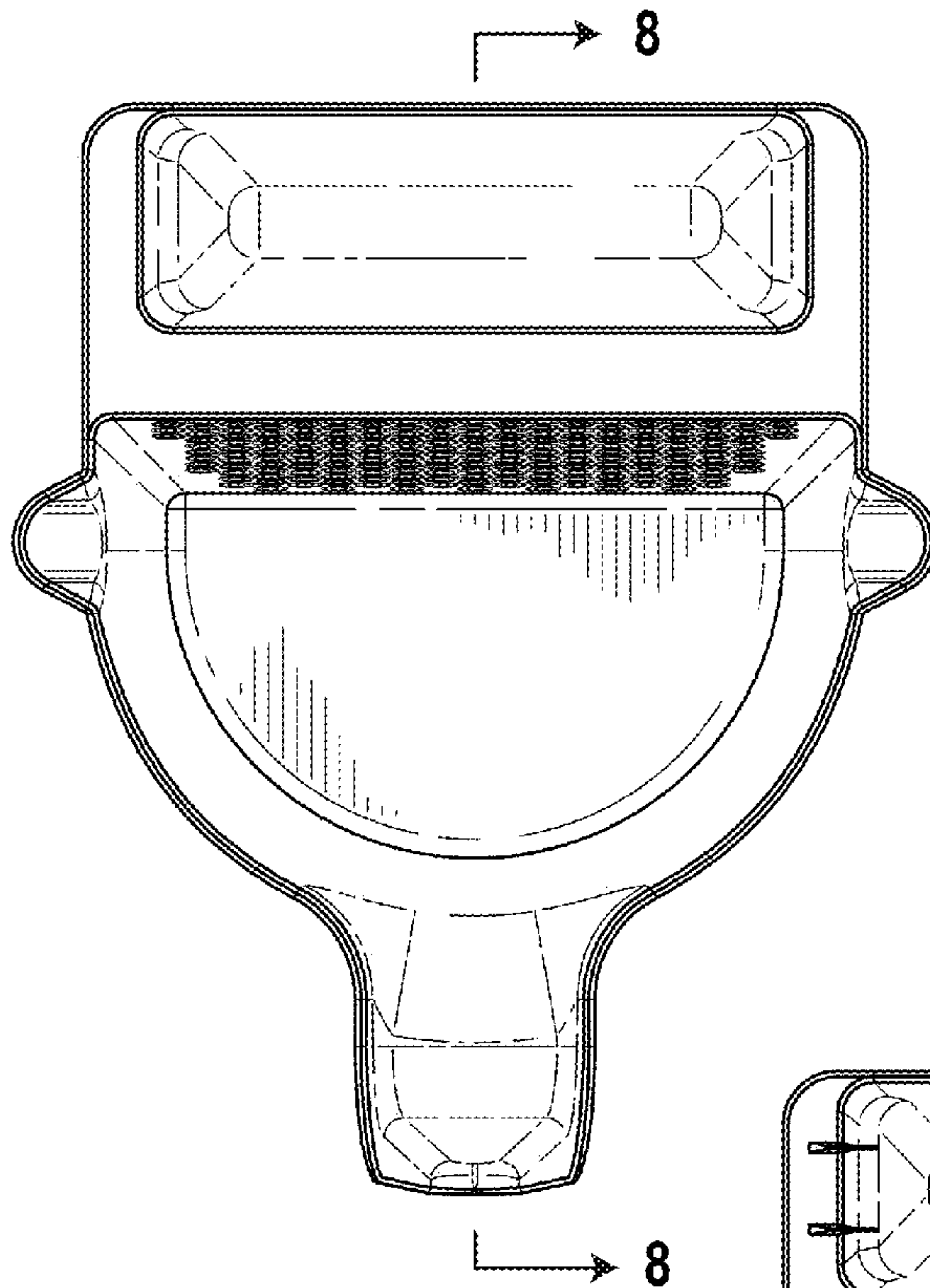


FIG. 6

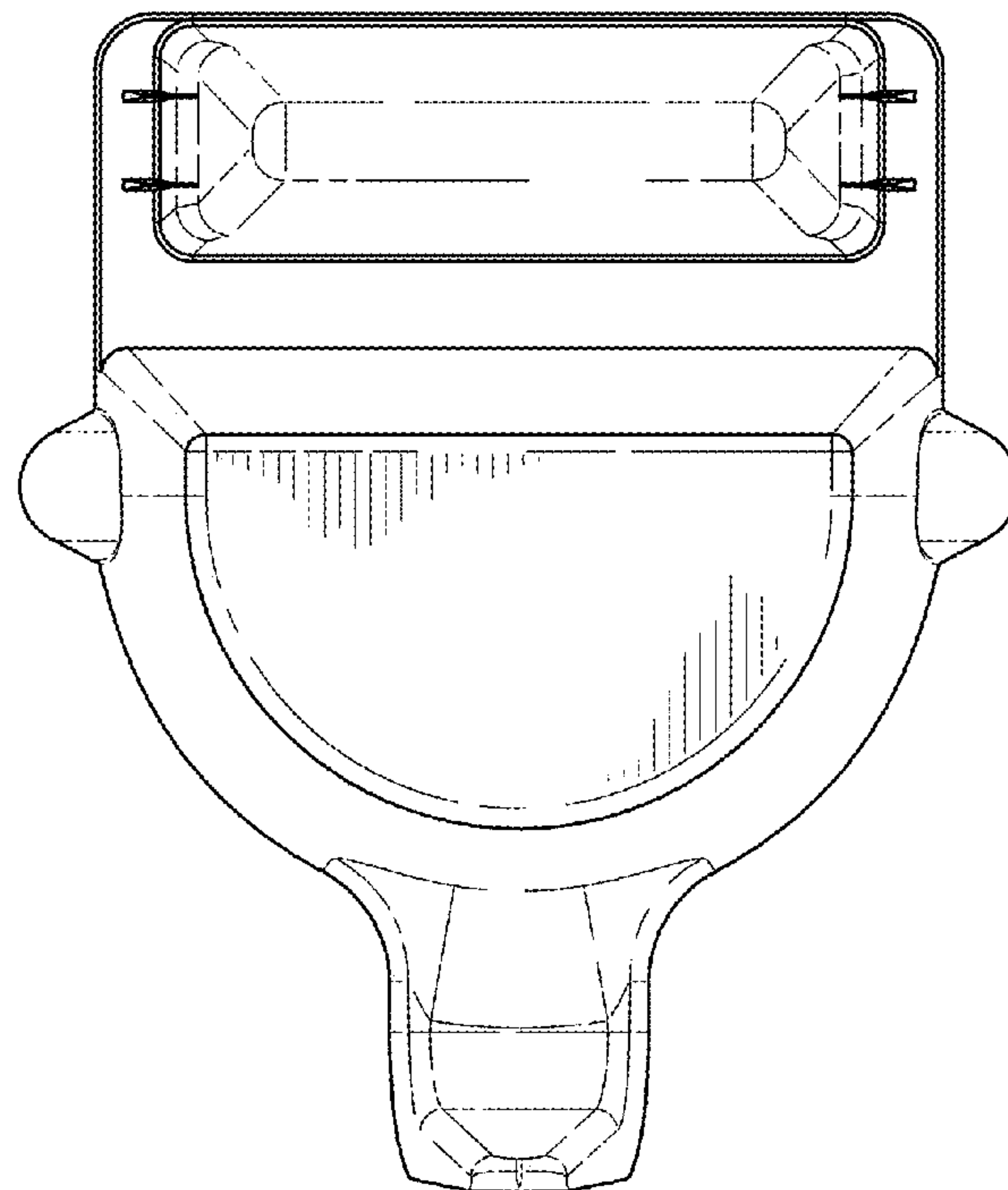


FIG. 7

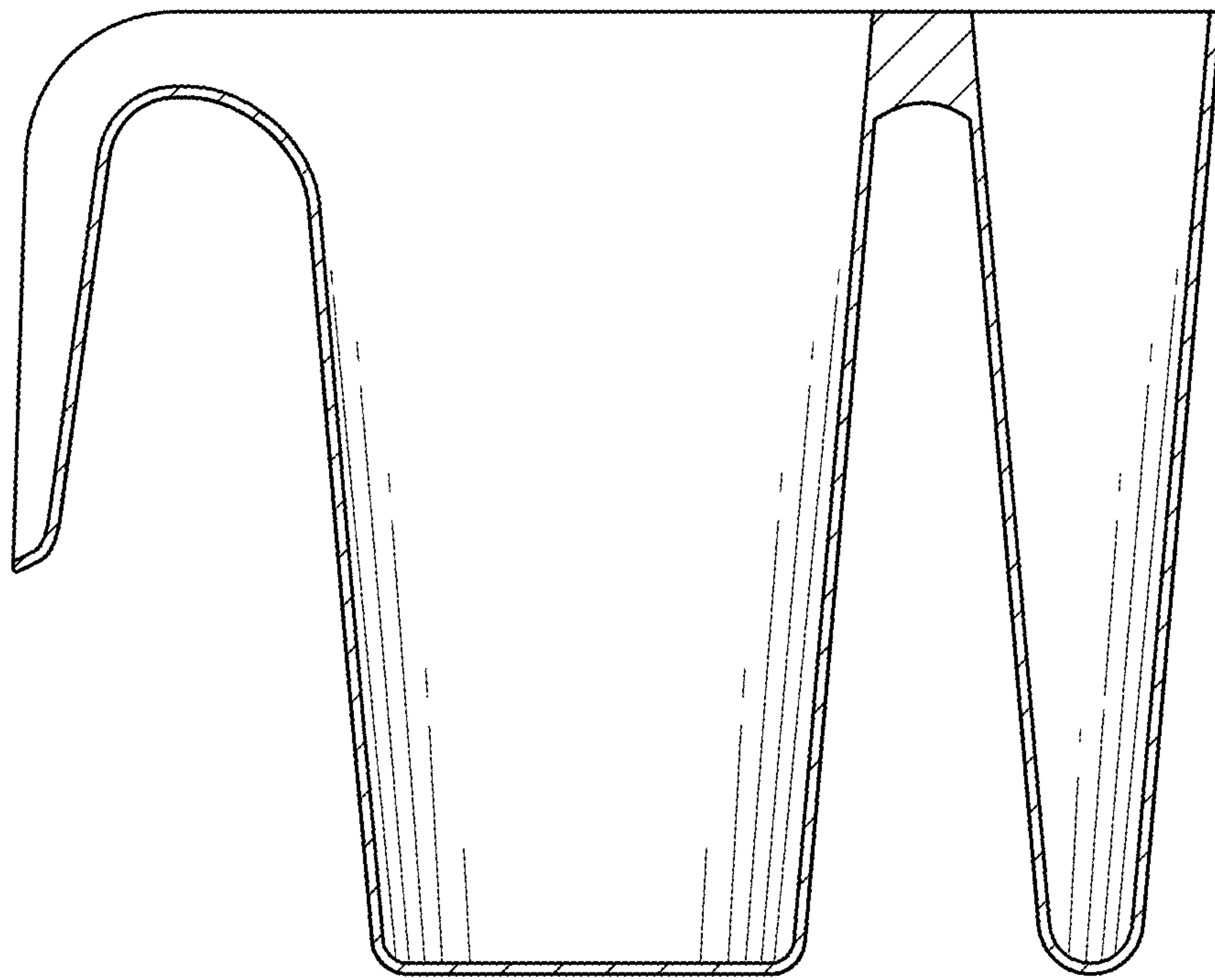


FIG. 8