

US00D761510S

(12) **United States Design Patent**
Vicari et al.

(10) **Patent No.:** **US D761,510 S**
(45) **Date of Patent:** **** Jul. 12, 2016**

- (54) **SQUEEGEE**
- (71) Applicants: **Joern Vicari**, Brooklyn, NY (US);
Mason Adam Umholtz, Brooklyn, NY (US); **Lingxiu Wu**, Brooklyn, NY (US); **Cindy Godin**, New York, NY (US)
- (72) Inventors: **Joern Vicari**, Brooklyn, NY (US);
Mason Adam Umholtz, Brooklyn, NY (US); **Lingxiu Wu**, Brooklyn, NY (US); **Cindy Godin**, New York, NY (US)
- (73) Assignee: **HELEN OF TROY LIMITED**, St. Michael (BB)
- (**) Term: **14 Years**
- (21) Appl. No.: **29/526,487**
- (22) Filed: **May 9, 2015**
- (51) **LOC (10) Cl.** **04-01**
- (52) **U.S. Cl.**
USPC **D32/41**
- (58) **Field of Classification Search**
USPC D32/40-42, 46-49; D8/33, 47, 90, 93;
D4/118, 199; D24/146-147
CPC A47L 1/06; A47L 13/24
See application file for complete search history.

(56) **References Cited**

U.S. PATENT DOCUMENTS

D32,484 S *	4/1900	Bowles	D32/46
1,142,473 A *	6/1915	Worns	A47L 13/08 30/169
D117,388 S *	10/1939	Woinarovicz	D32/46
D173,462 S *	11/1954	Schmoller	D32/41
D214,977 S *	8/1969	Roth	D4/137
3,676,888 A *	7/1972	Akers	B44D 3/105 15/144.1
D233,586 S *	11/1974	Kopp	D32/46
D241,603 S *	9/1976	MacNeil	D32/46
5,321,868 A *	6/1994	Coulson	B41F 15/02 101/114
D352,432 S *	11/1994	Monroe	D32/41
D368,344 S *	3/1996	Hansen	D32/41
D369,886 S *	5/1996	McCollum	D32/46
D383,267 S *	9/1997	Emmerth	D32/46
D388,569 S *	12/1997	Israel	D32/35
D422,124 S *	3/2000	Rimback	D32/41
D426,758 S *	6/2000	Mitchell	D32/46

D450,412 S *	11/2001	Hajduk	D32/41
D532,741 S *	11/2006	Lin	D12/220
D548,907 S *	8/2007	Killen	D32/41
D557,333 S *	12/2007	Giannola	D18/56
D588,905 S *	3/2009	Meeks	D8/400
D592,370 S *	5/2009	van Deursen	D32/46
D664,318 S *	7/2012	Thompson	D32/46
D676,208 S *	2/2013	Singleton	D32/40
2005/0193516 A1 *	9/2005	Hughes	A47L 13/08 15/236.01

FOREIGN PATENT DOCUMENTS

GB 2057984 * 11/1996

OTHER PUBLICATIONS

Amazon.com: OXO Good Grips Compact Squeegee, online, review date Nov. 19, 2015, http://www.amazon.com/OXO-Compact-Squeegee-Bathroom-Mirrors/dp/B016U961DO/ref=cm_cr_arp_d_product_top?ie=UTF8, [site visited Apr. 26, 2016 4:16:51 PM].*

Amazon.com: Casabella 12" Silicone Squeegee, online, review date Apr. 7, 2016, http://www.amazon.com/Casabella-Silicone-Squeegee-X-Large-Translucent/dp/B016AWLWOE/ref=sr_1_224?ie=UTF8&qid=1461702375&sr=8-224&keywords=squeegee, [site visited Apr. 26, 2016 4:27:56 PM].*

Amazon.com: blomus 68686 Shower Squeegee, online, review date Dec. 8, 2014, http://www.amazon.com/Blomus-68686-blomus-Shower-Squeegee/dp/B00AGBSWN0/ref=sr_1_239?ie=UTF8&qid=1461702525&sr=8-239&keywords=squeegee, [site visited Apr. 26, 2016 4:30:02 PM].*

* cited by examiner

Primary Examiner — John Windmuller
Assistant Examiner — John R Yeh

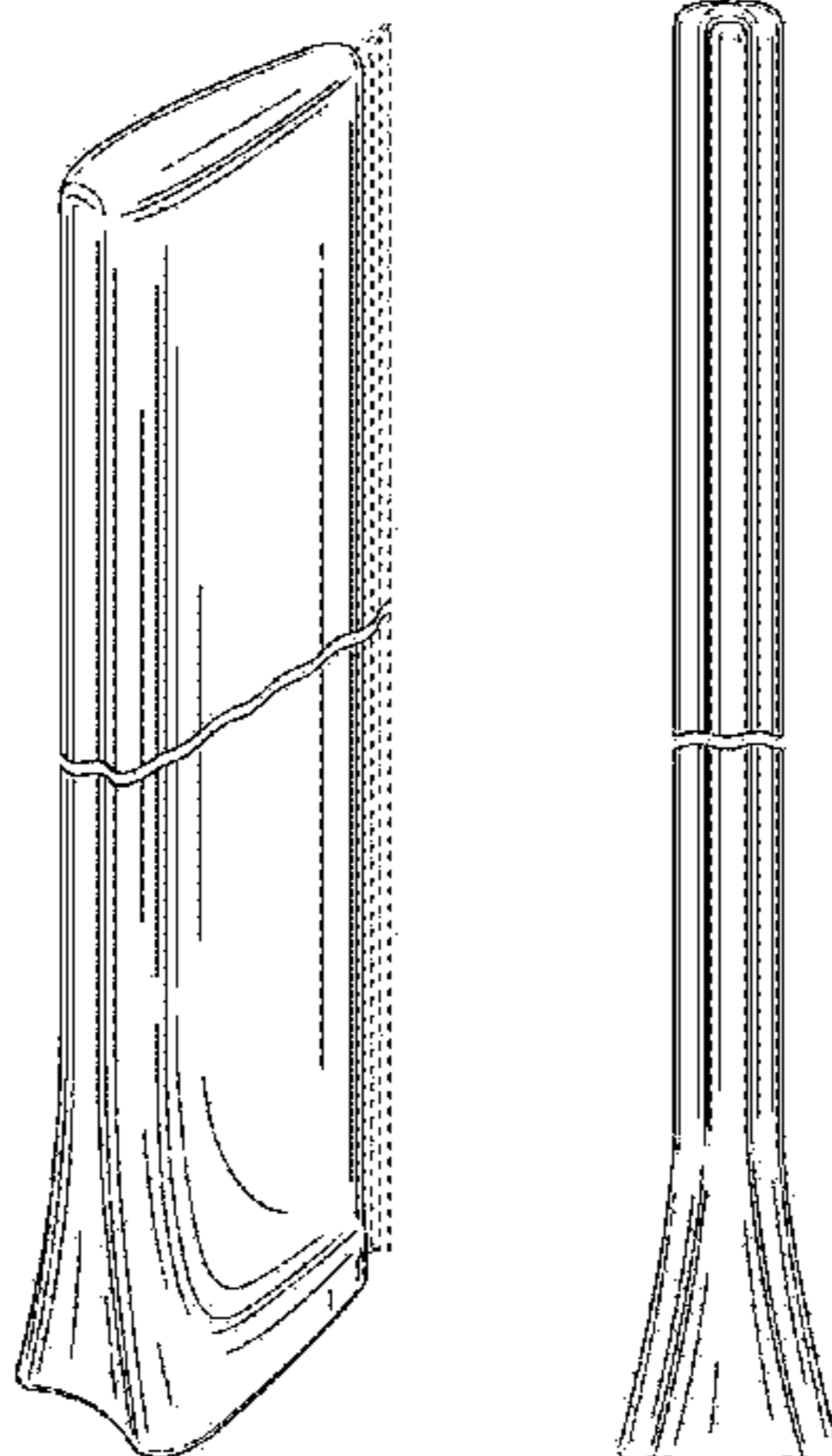
(57) **CLAIM**

The ornamental design for a squeegee, as shown, and described.

DESCRIPTION

FIG. 1 is a perspective view of the squeegee; FIG. 2 is a rear side view of the squeegee; FIG. 3 is a front side view of the squeegee; FIG. 4 is a right side view of the squeegee; FIG. 5 is a left side view of the squeegee; FIG. 6 is a top view of the squeegee; and, FIG. 7 is a bottom view of the squeegee. The broken away symbols indicate that any portion of the squeegee beyond what is shown forms no part of the claimed design. The broken lines represent portions of the squeegee that form no part of the claimed design.

1 Claim, 7 Drawing Sheets



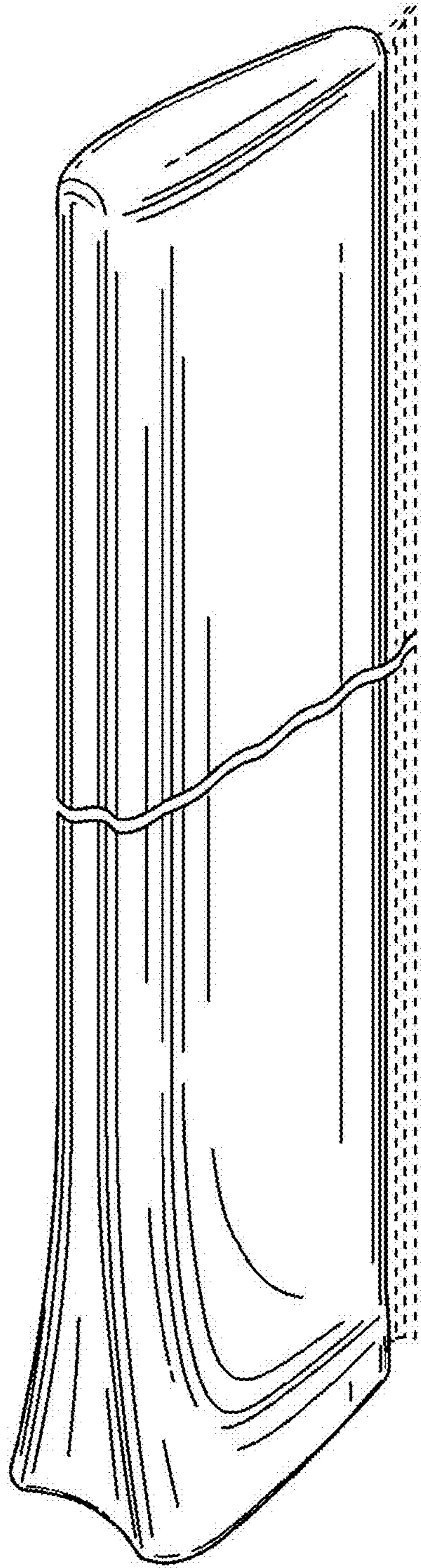


Figure 1

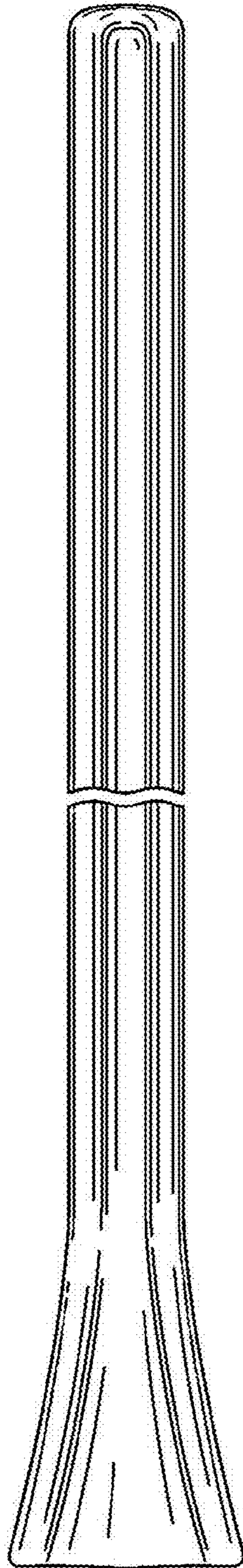


Figure 2

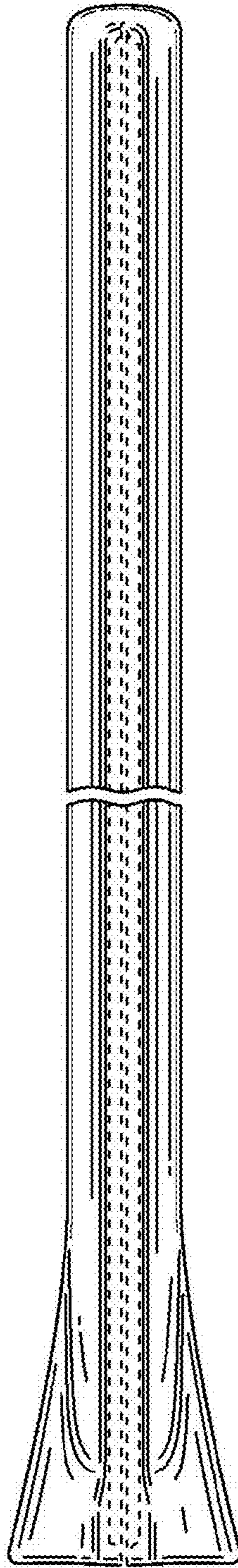


Figure 3

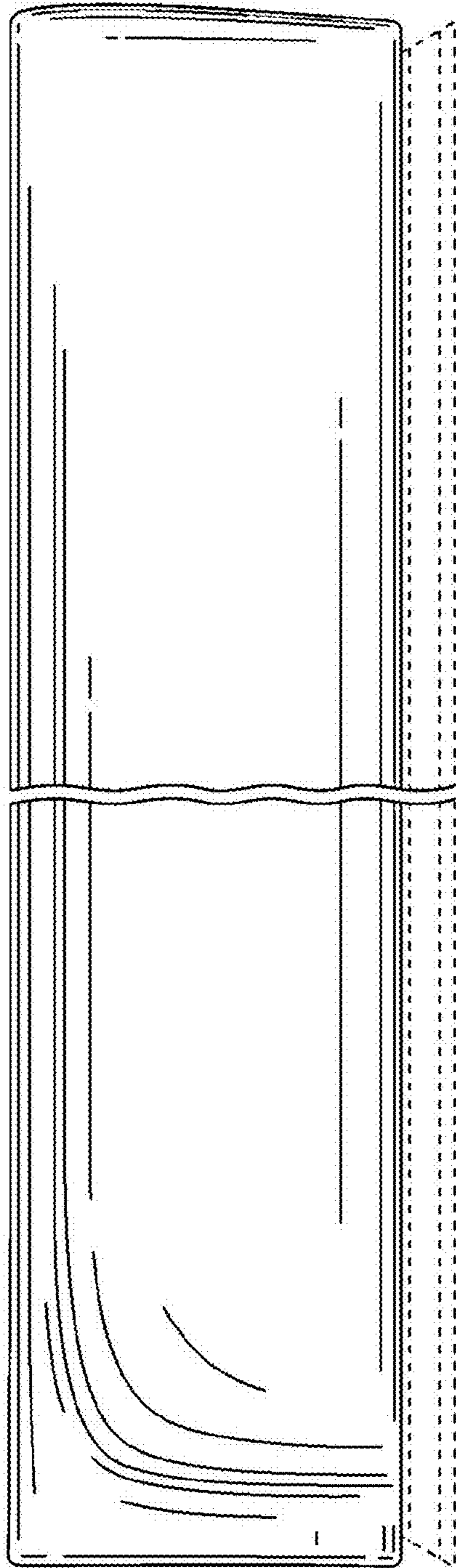


Figure 4

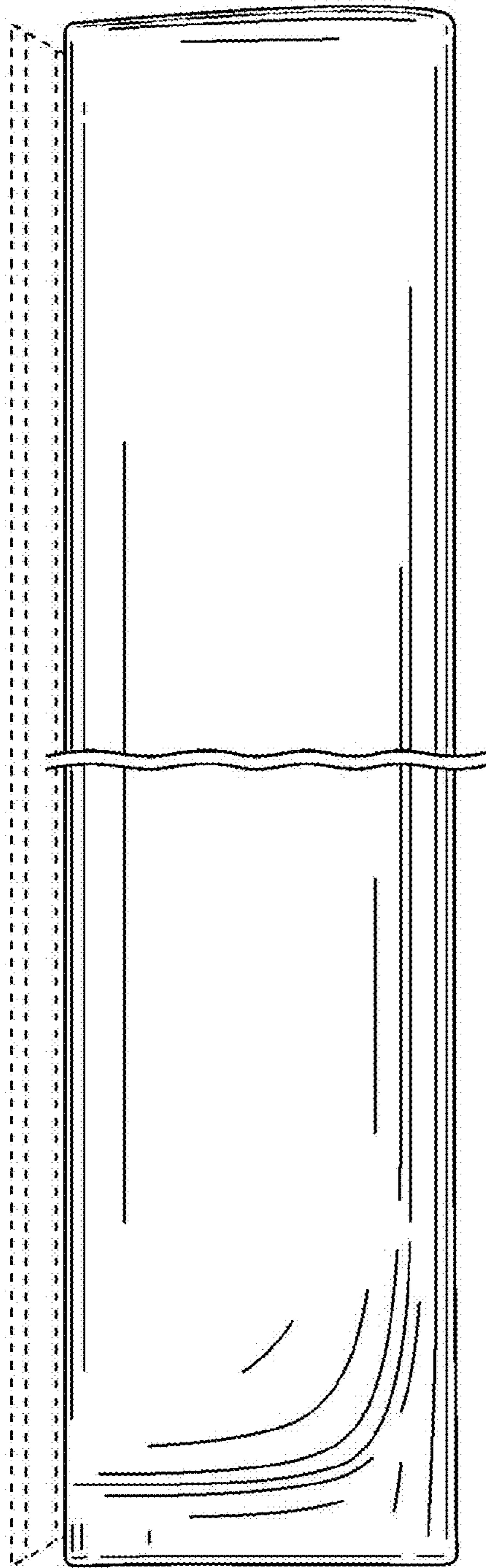


Figure 5

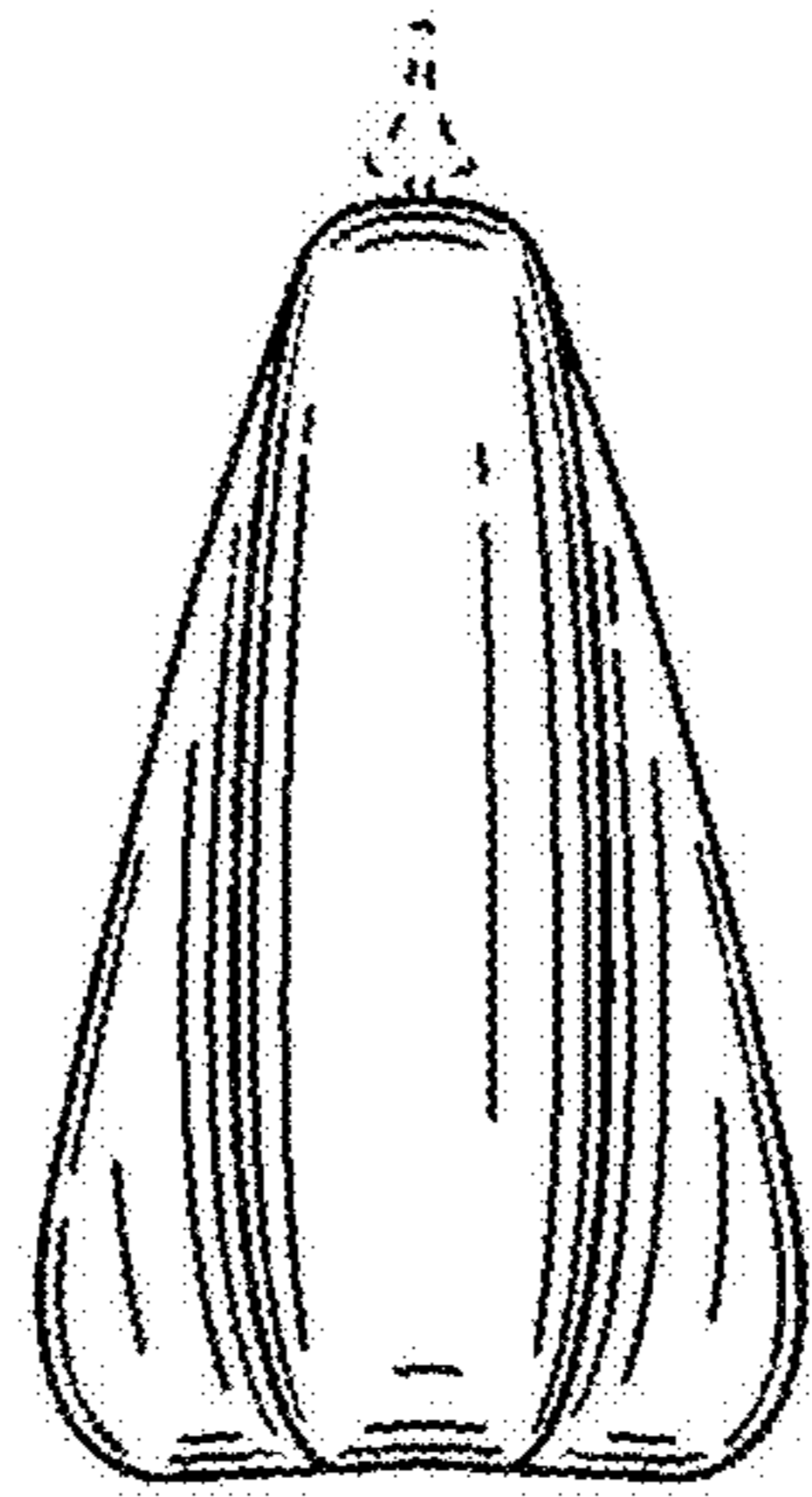


Figure 6

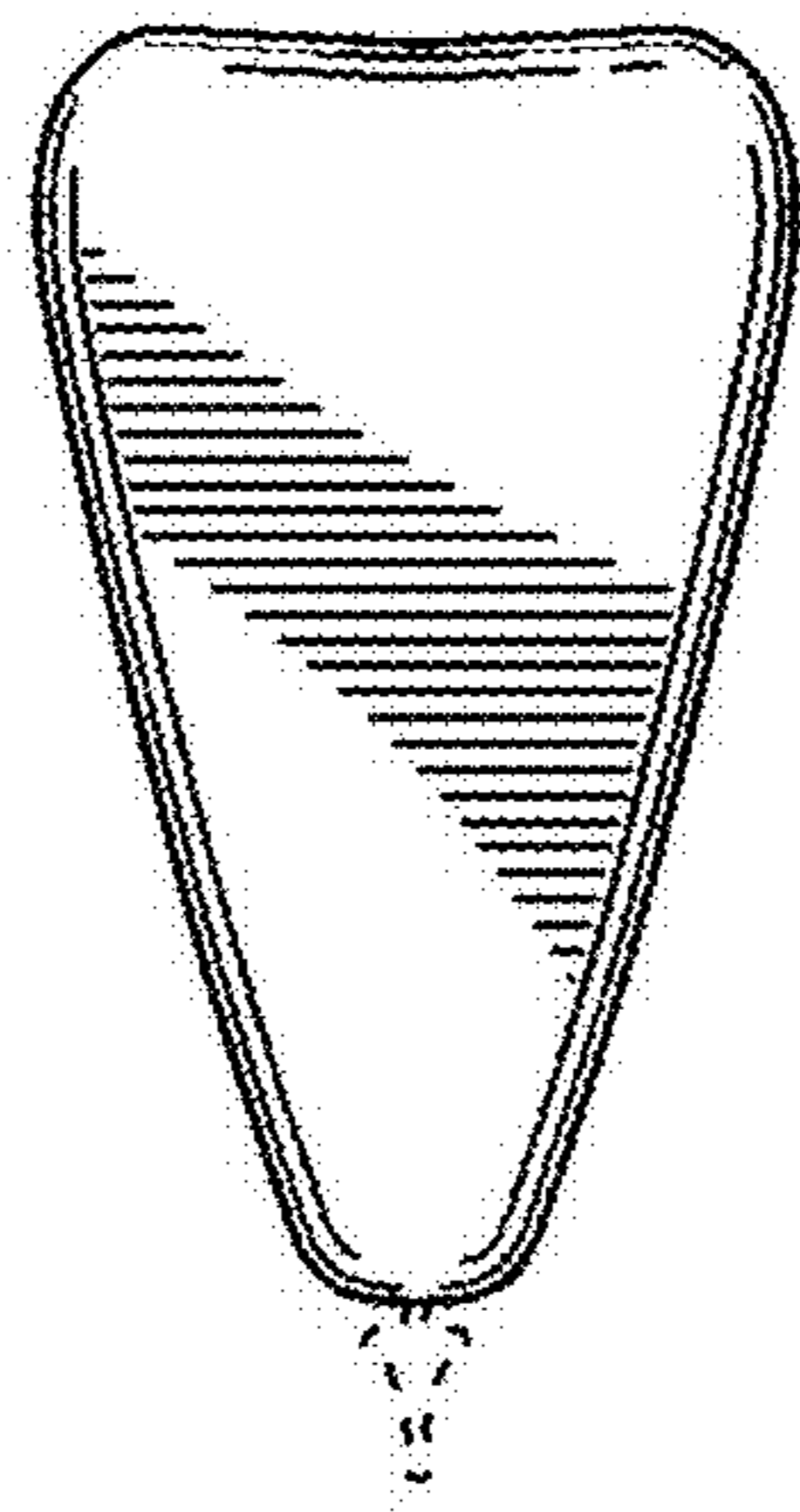


Figure 7