



US00D761509S

(12) **United States Design Patent**
Cohen

(10) **Patent No.:** **US D761,509 S**
(45) **Date of Patent:** **** Jul. 12, 2016**

(54) **CYLINDRICAL LAUNDRY HAMPER WITH OUTSIDE POCKETS**

(71) Applicant: **Mystic Apparel LLC**, New York, NY (US)

(72) Inventor: **Samuel V. Cohen**, Brooklyn, NY (US)

(73) Assignee: **Mystic Apparel LLC**, New York, NY (US)

(**) Term: **14 Years**

(21) Appl. No.: **29/513,800**

(22) Filed: **Jan. 6, 2015**

(51) **LOC (10) Cl.** **07-07**

(52) **U.S. Cl.**
USPC **D32/34**

(58) **Field of Classification Search**
USPC D32/37, 35, 53; D3/304-314; D9/715, D9/721, 720
CPC A45C 7/00; A45C 1/00; A45C 3/00; A45C 3/04; A45C 2003/002; D06F 95/002; D06F 95/004
See application file for complete search history.

(56) **References Cited**

U.S. PATENT DOCUMENTS

D280,035 S *	8/1985	Mitchell	D3/304
D312,519 S *	11/1990	Hobson	D32/37
D348,129 S *	6/1994	Wolff	D32/37
6,481,591 B2 *	11/2002	Mendoza	D06F 95/002 220/9.2
D520,696 S *	5/2006	Waldman	D32/37
D536,172 S *	2/2007	Baez	D3/304

D555,854 S *	11/2007	Kamiya	D32/37
D611,211 S *	3/2010	Waldman	D32/37
D618,412 S *	6/2010	Berti	D32/53
D618,413 S *	6/2010	Berti	D32/53
D655,914 S *	3/2012	Perez	D3/309
D691,341 S *	10/2013	Barre	D32/37
D710,613 S *	8/2014	Kolano	D3/309
D745,280 S *	12/2015	Wang	D3/304

* cited by examiner

Primary Examiner — Susan Bennett Hattan

Assistant Examiner — Rebecca Tsehaye

(74) *Attorney, Agent, or Firm* — Andrew S. Langsam; Pryor Cashman LLP

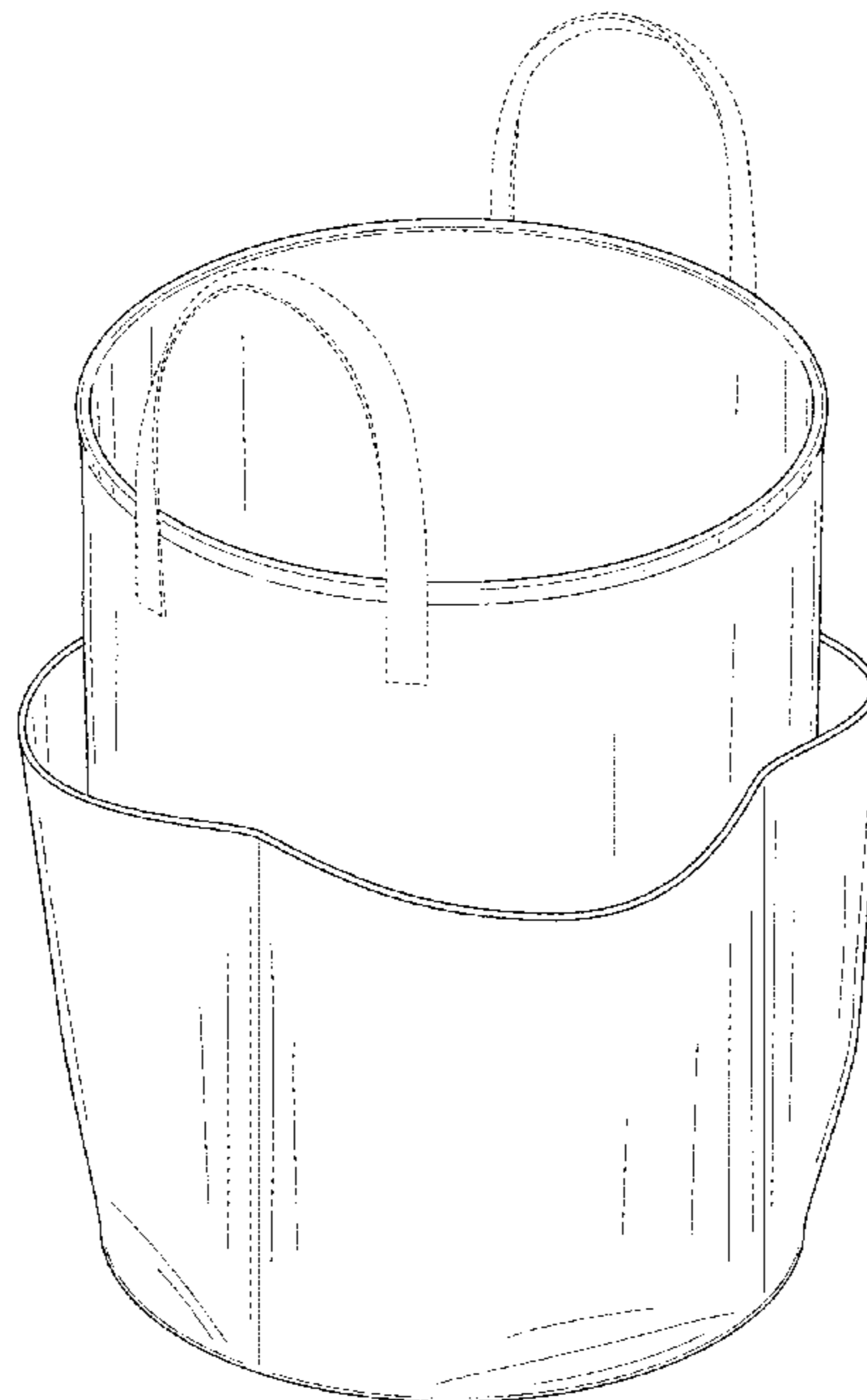
(57) **CLAIM**

The ornamental design for a cylindrical laundry hamper with outside pockets, as shown and described.

DESCRIPTION

FIG. 1 is a top and perspective view of the cylindrical laundry hamper with outside pockets showing the present invention; FIG. 2 is a front elevational view thereof, the rear being a mirror image thereof; FIG. 3 is a left side view thereof, the right side being a mirror image thereof; FIG. 4 is a top view thereof; and, FIG. 5 is bottom view thereof. The handles for holding for carrying the cylindrical laundry hamper with outside pockets are shown in dotted lines and forms no part of the claimed invention but are illustrated for environmental purposes, i.e., to show how the device can be easily carried when filled with laundry or when empty.

1 Claim, 5 Drawing Sheets



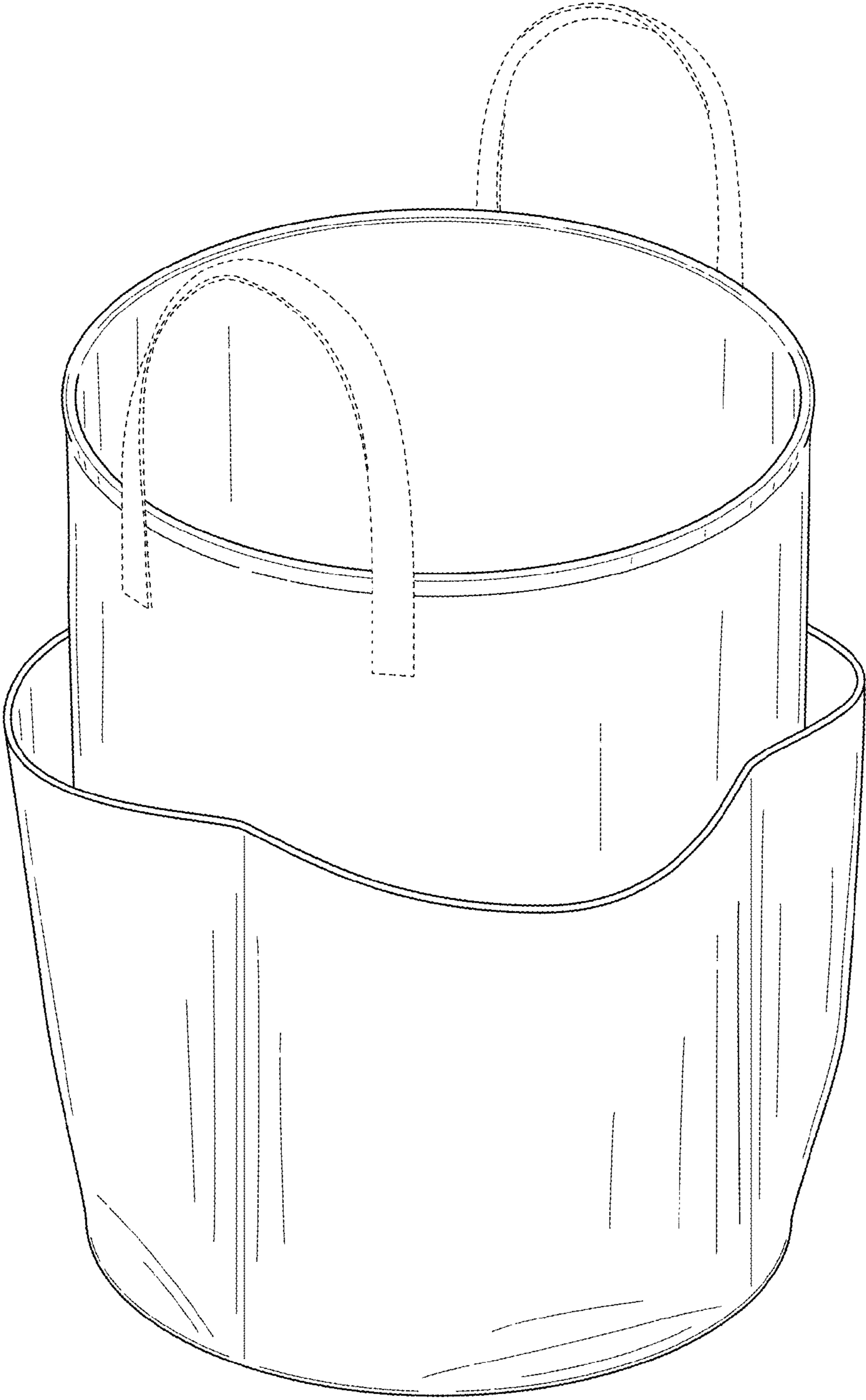


FIG. 1

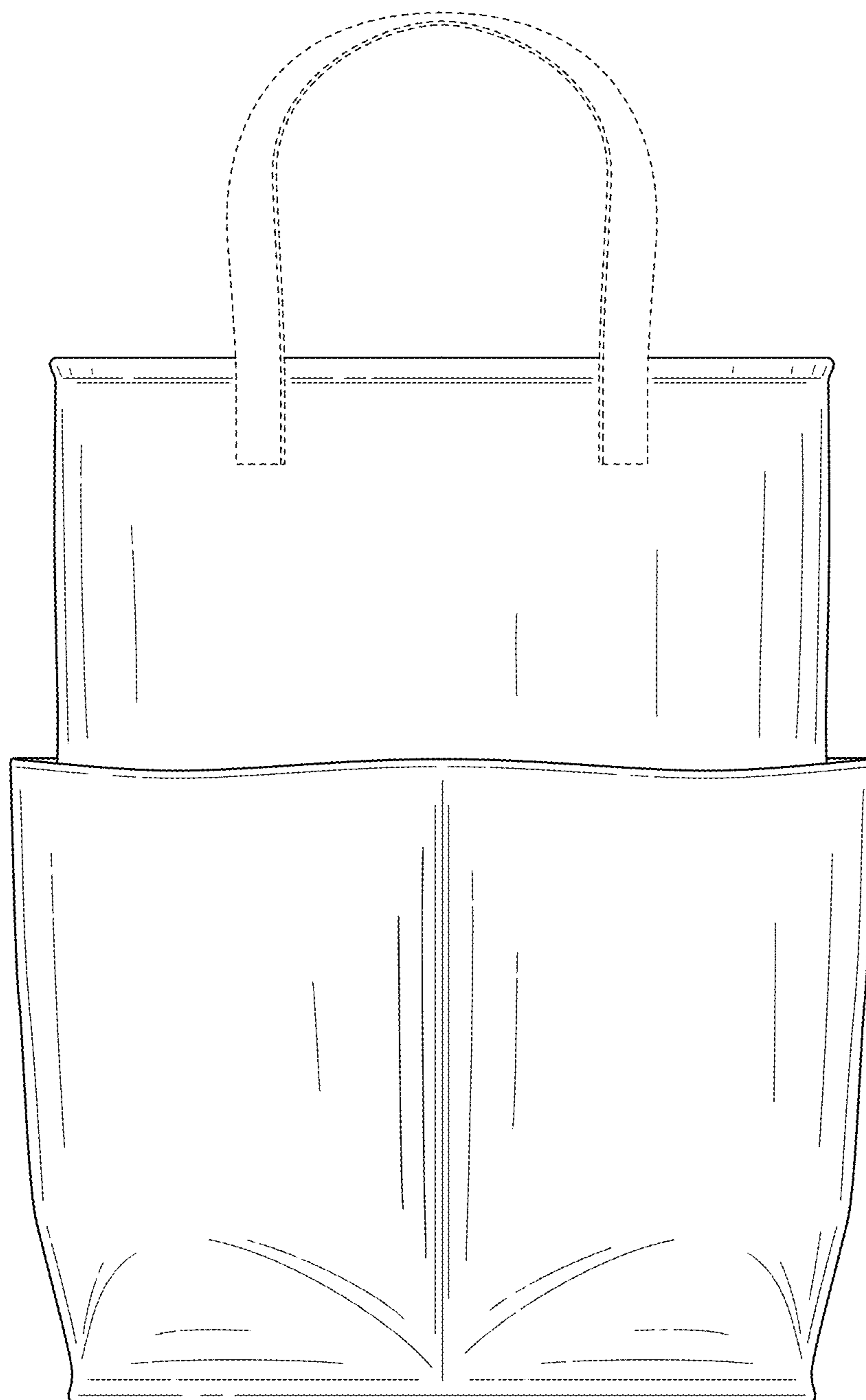


FIG. 2

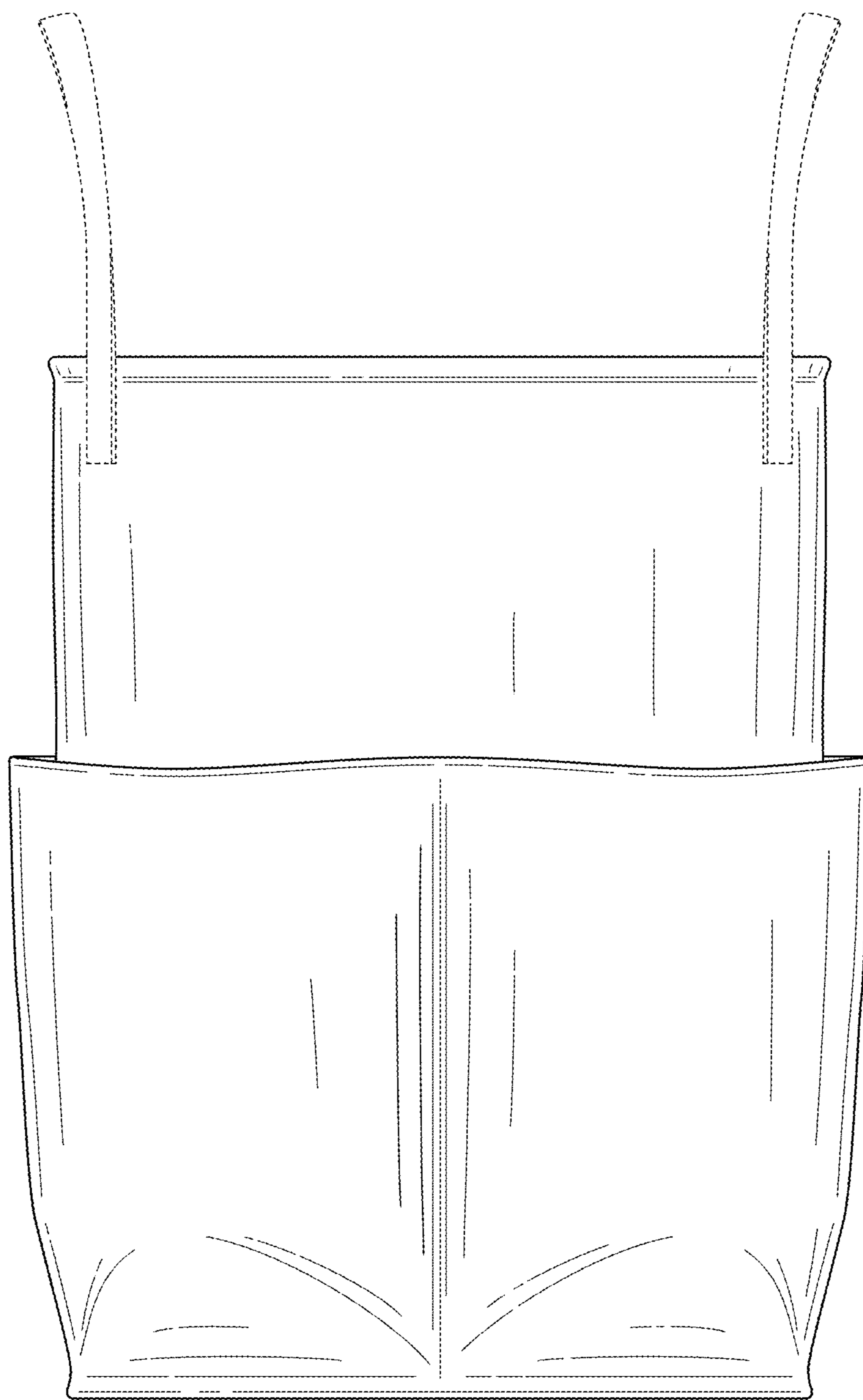


FIG. 3

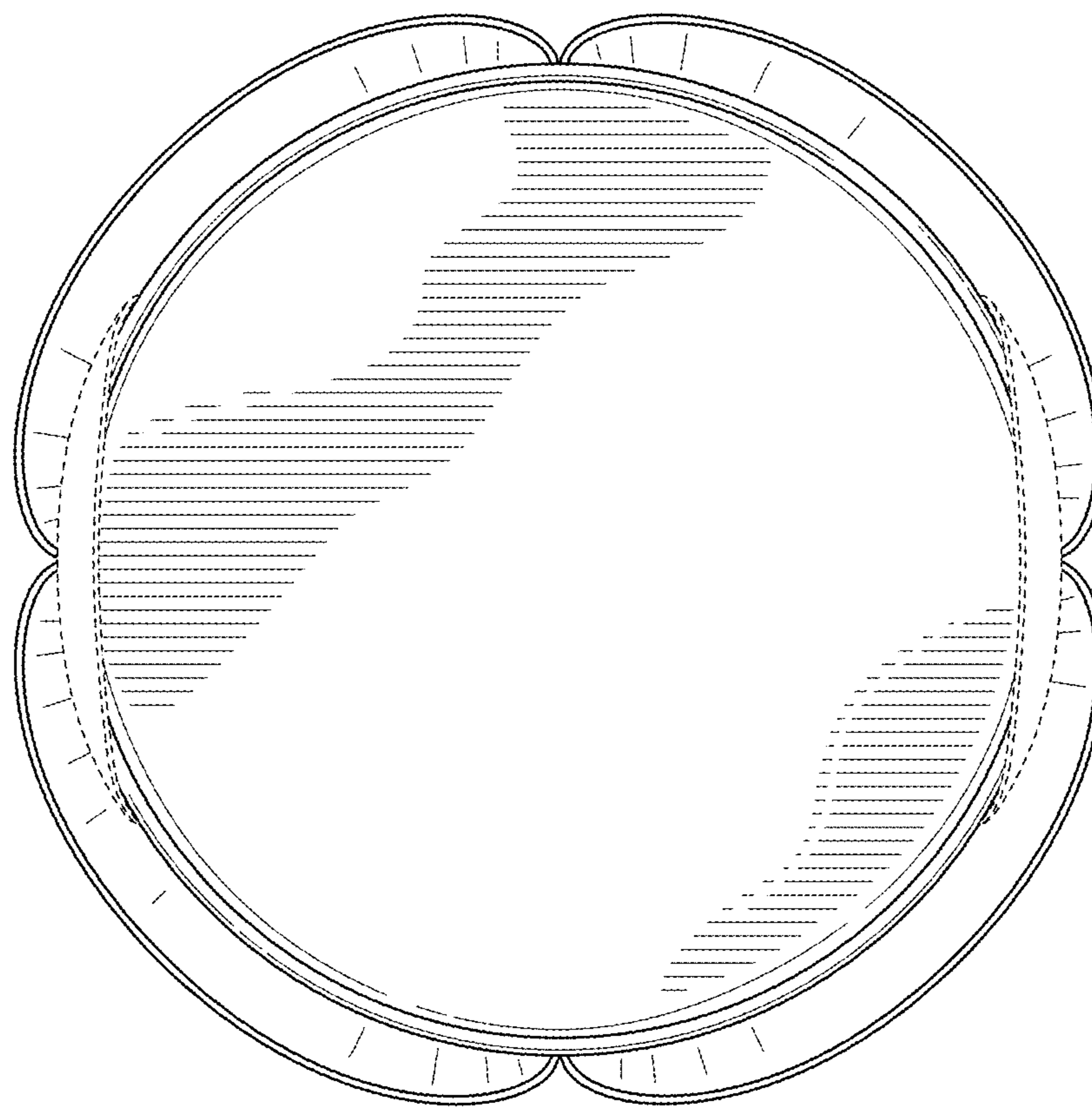


FIG. 4

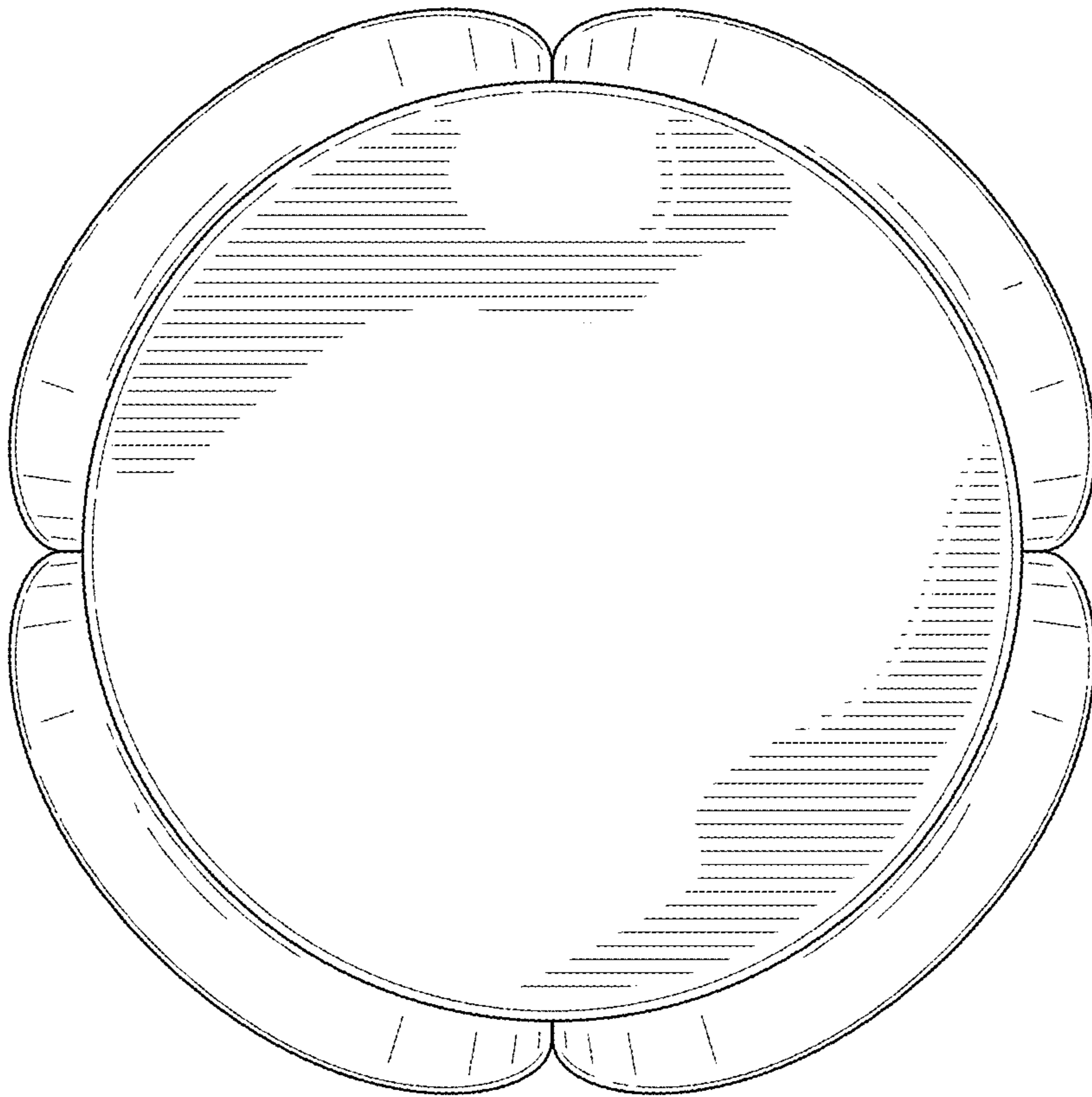


FIG. 5