



US00D761508S

(12) **United States Design Patent**
Lu et al.

(10) **Patent No.:** **US D761,508 S**
(45) **Date of Patent:** **** Jul. 12, 2016**

(54) **HAND TOOL**

(71) Applicant: **SharkNinja Operating LLC**, Newton, MA (US)

(72) Inventors: **Zenas Lu**, Cambridge, MA (US); **Brett Andler**, Needham, MA (US); **Charlie Cai**, WuHan (CN); **Scott Niedzwecki**, Walpole, MA (US); **Owen Johnson**, Needham, MA (US)

(73) Assignee: **SharkNinja Operating LLC**, Newton, MA (US)

(**) Term: **14 Years**

(21) Appl. No.: **29/495,715**

(22) Filed: **Jul. 3, 2014**

(51) **LOC (10) Cl.** **15-05**

(52) **U.S. Cl.**
USPC **D32/33**

(58) **Field of Classification Search**
USPC D32/31-33, 40, 50, 25
CPC A47L 11/4044; A47L 9/02; A47L 13/12;
A47L 13/20; A47L 1/08; A47K 7/02
See application file for complete search history.

(56) **References Cited**

U.S. PATENT DOCUMENTS

D419,733 S *	1/2000	Medema	D32/32
D515,756 S *	2/2006	Allard	D32/32
D520,695 S *	5/2006	Dyson	D32/33
D537,219 S *	2/2007	Adams	D32/32
D590,112 S *	4/2009	Sun	D32/32
D590,113 S *	4/2009	Benacquisto	D32/32

D602,217 S *	10/2009	Osborn	D32/32
D679,878 S *	4/2013	Chudleigh	D32/33
2010/0223753 A1 *	9/2010	Knox	A47L 9/0477 15/363

* cited by examiner

Primary Examiner — Ruth McInroy

(74) *Attorney, Agent, or Firm* — Grossman Tucker Perreault & Pflieger, PLLC

(57) **CLAIM**

The ornamental design for a hand tool, as shown and described.

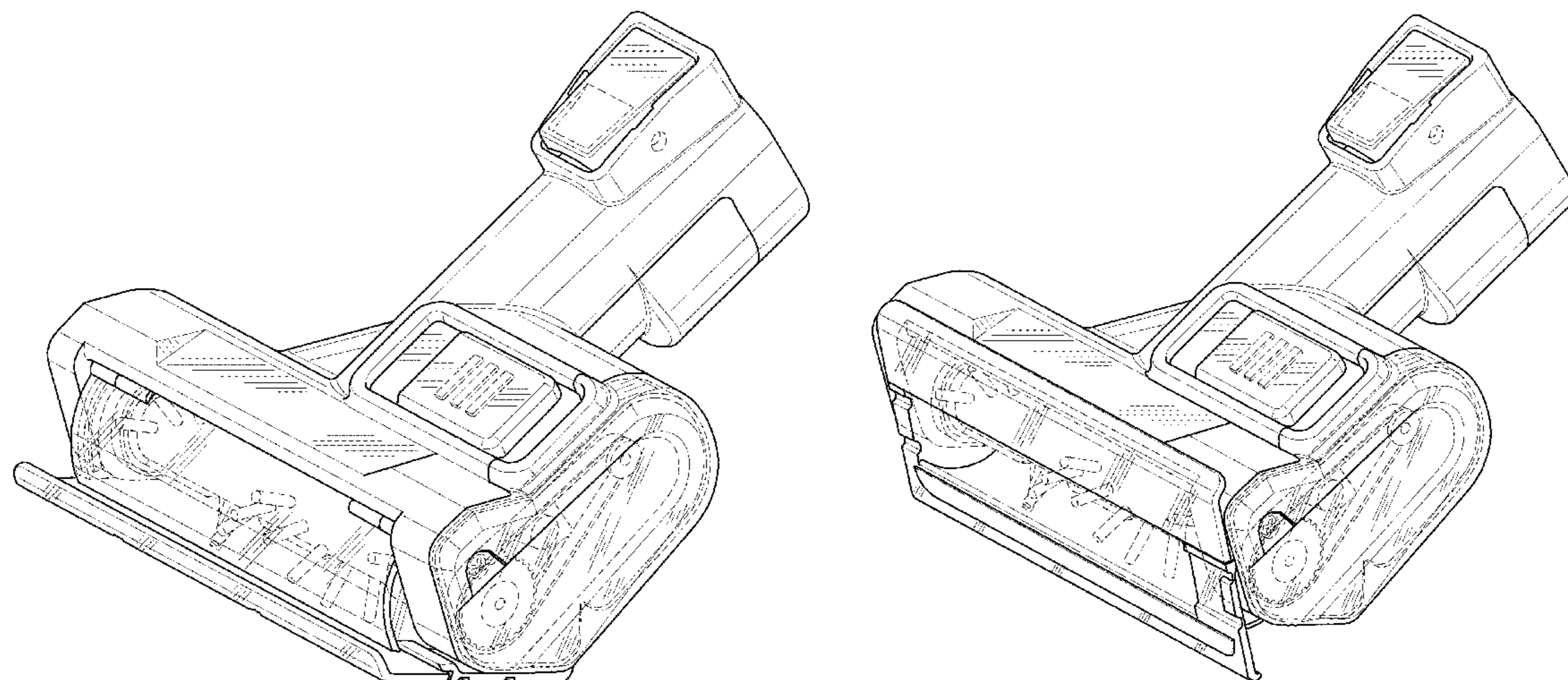
DESCRIPTION

FIG. 1 is a perspective view of a hand tool showing our new design;
FIG. 2 is a top view thereof;
FIG. 3 is a bottom view thereof;
FIG. 4 is a right side view thereof;
FIG. 5 is a left side view thereof;
FIG. 6 is a rear view thereof;
FIG. 7 is a front view thereof;
FIG. 8 is a perspective view thereof in an alternate position;
FIG. 9 is a top view of FIG. 8;
FIG. 10 is a bottom view of FIG. 8;
FIG. 11 is a right side view of FIG. 8;
FIG. 12 is a left side view of FIG. 8;
FIG. 13 is a rear view of FIG. 8; and,
FIG. 14 is a front view of FIG. 8.

The dashed lines are for illustrative purposes only and form no part of the claimed design.

Oblique line shading shown in soleplate and right side cap portions of the drawings are intended to depict transparent or translucent portions of the hand tool design.

1 Claim, 12 Drawing Sheets



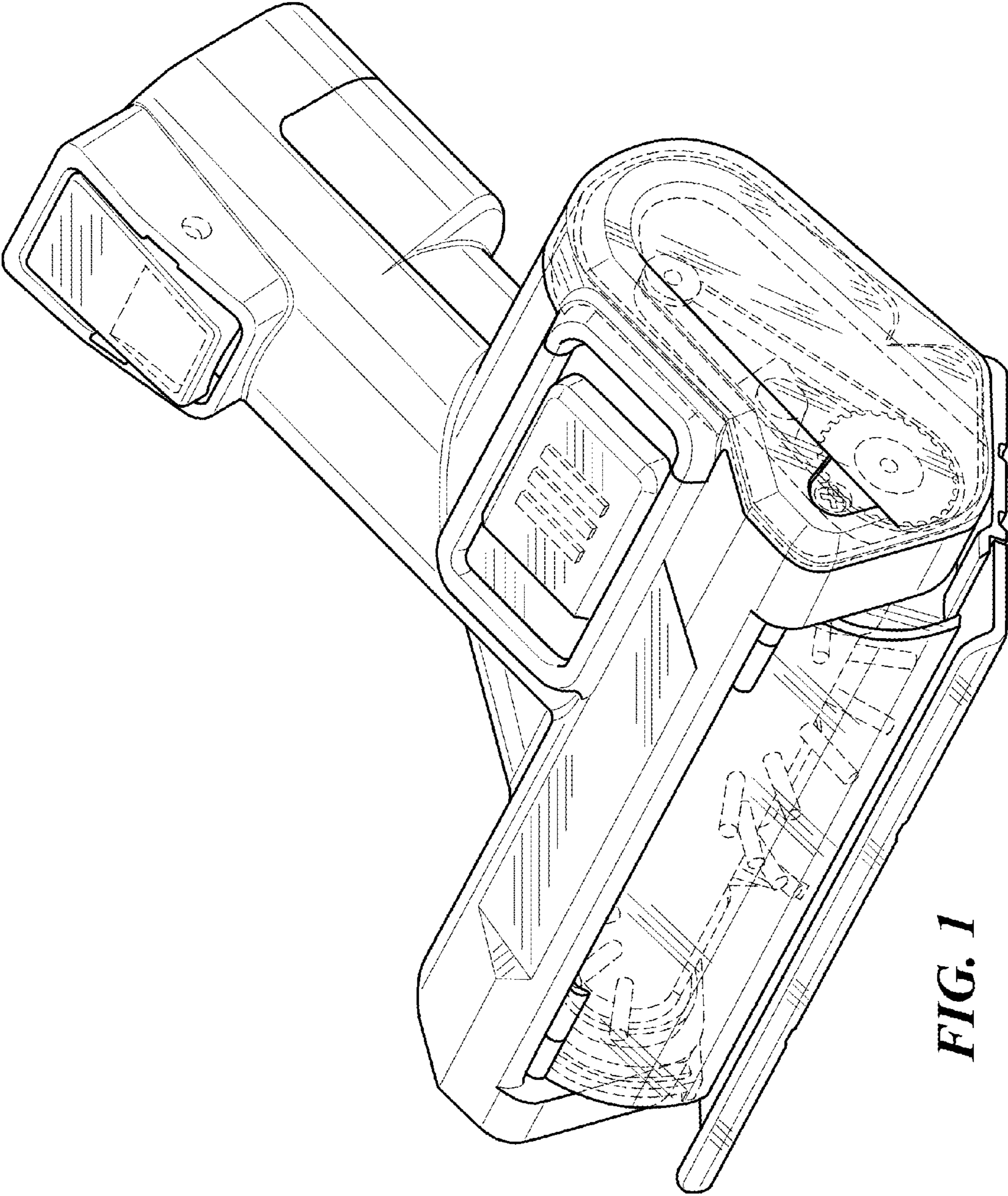
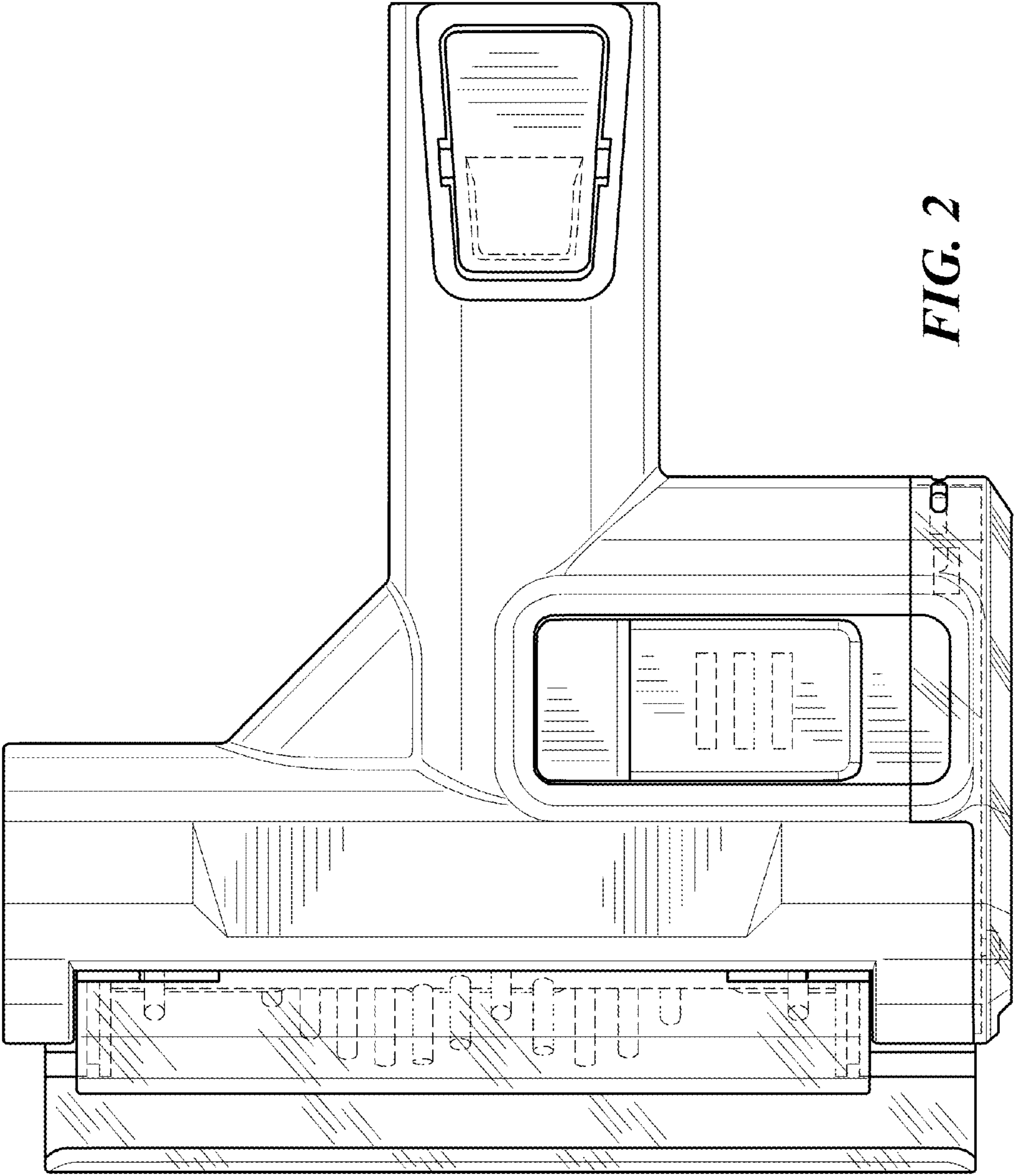


FIG. 1



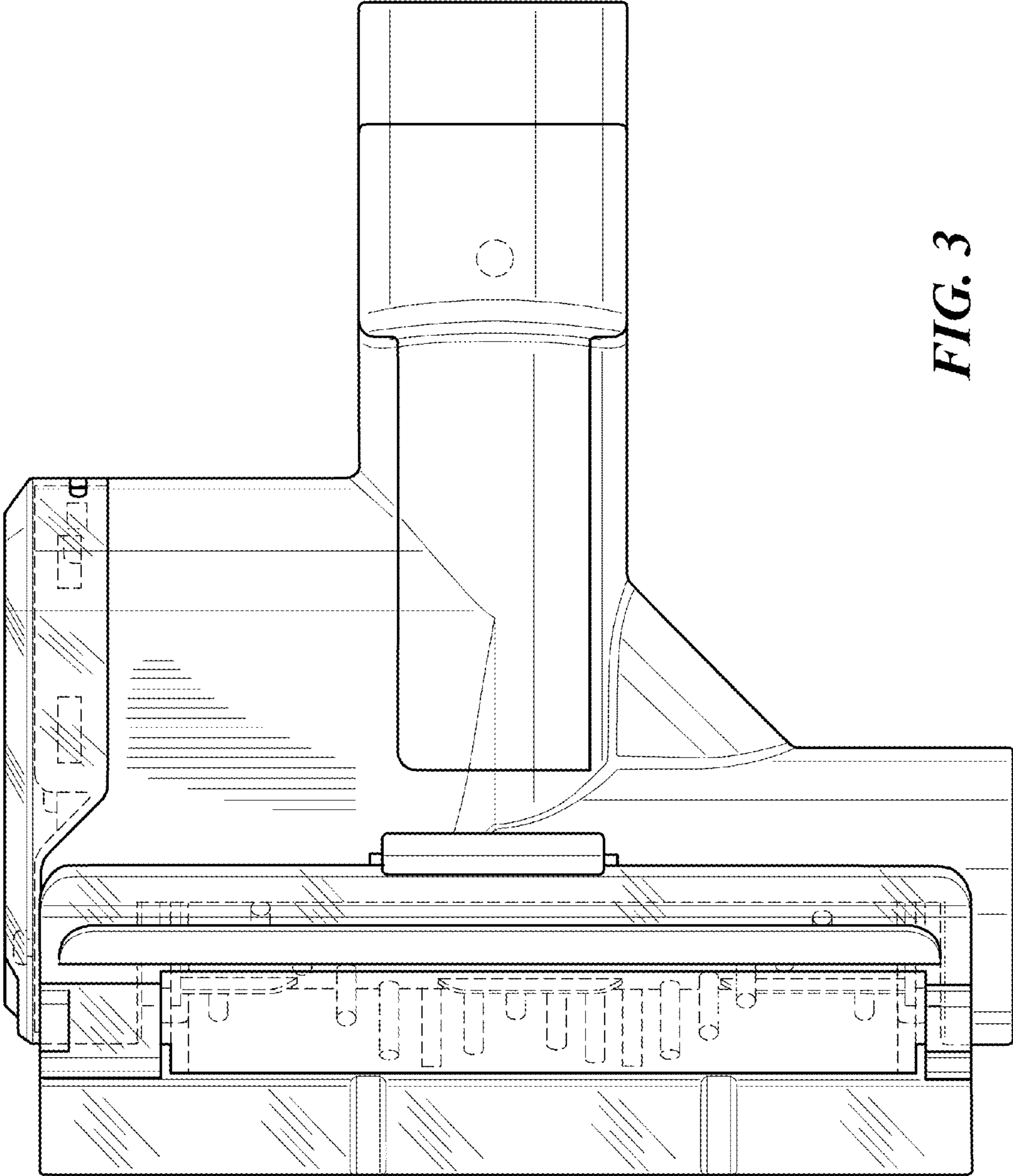


FIG. 3

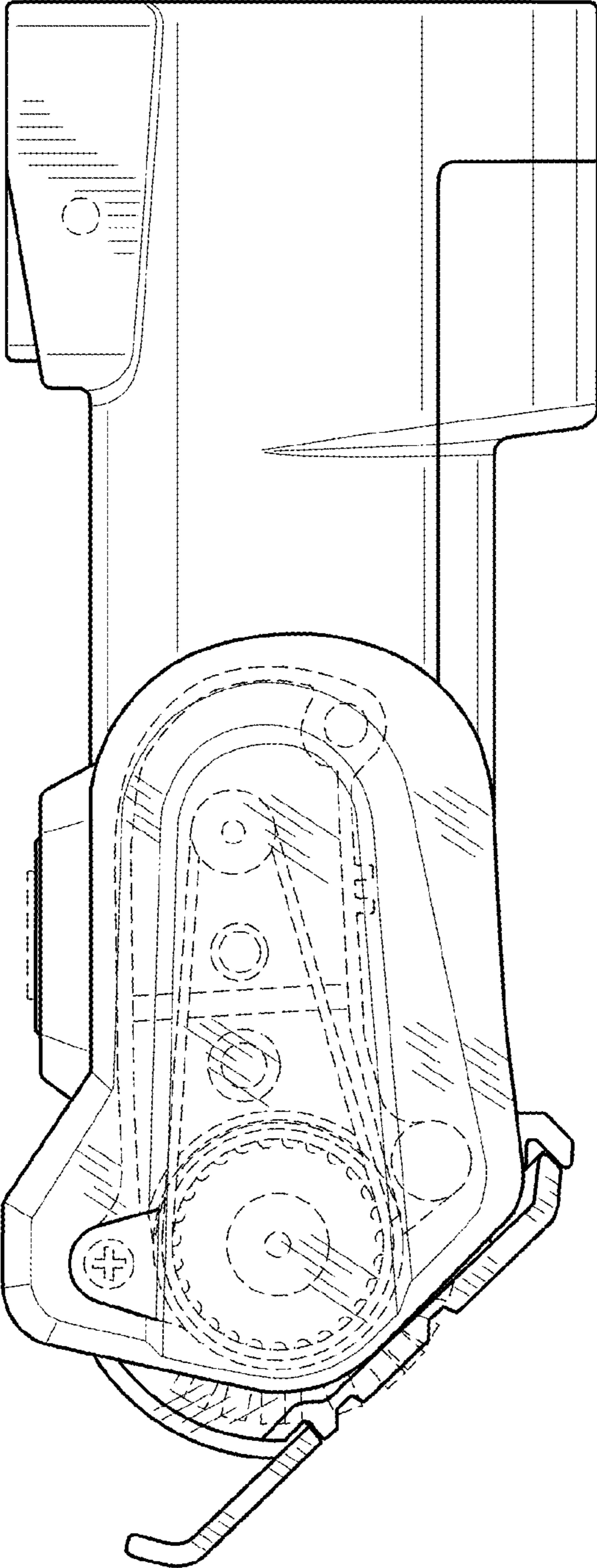


FIG. 4

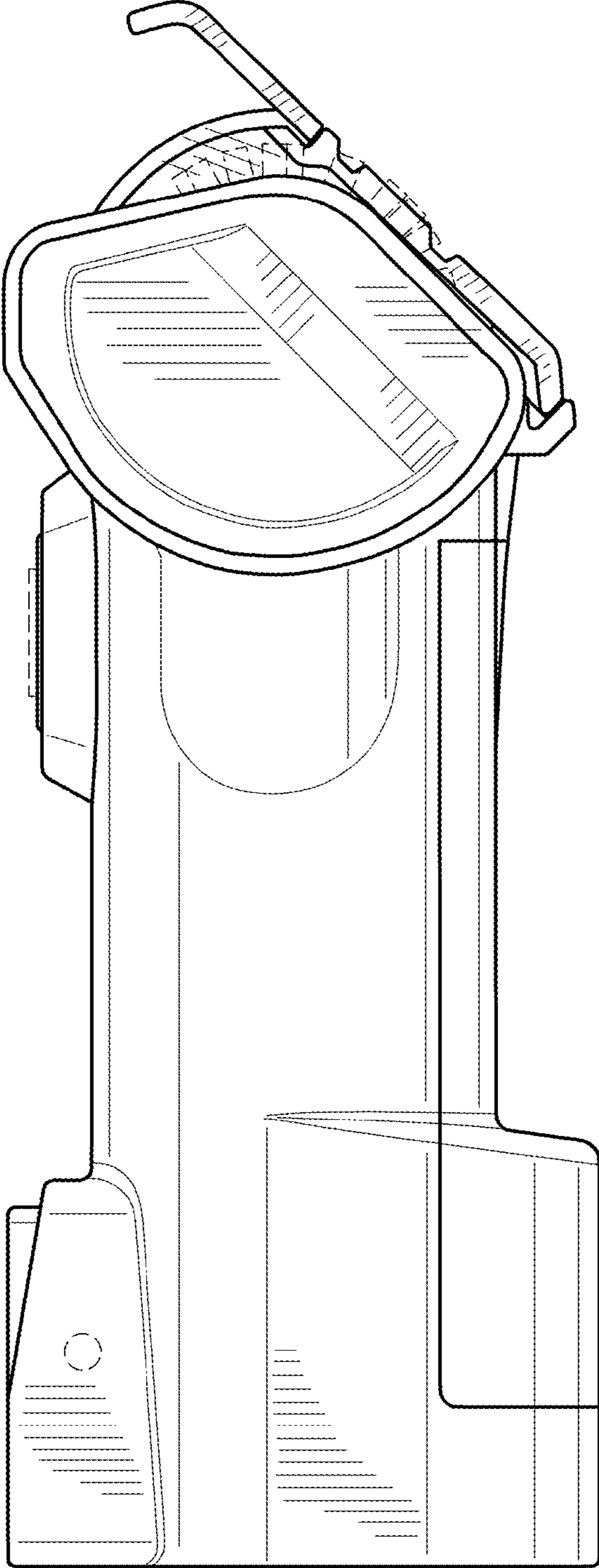


FIG. 5

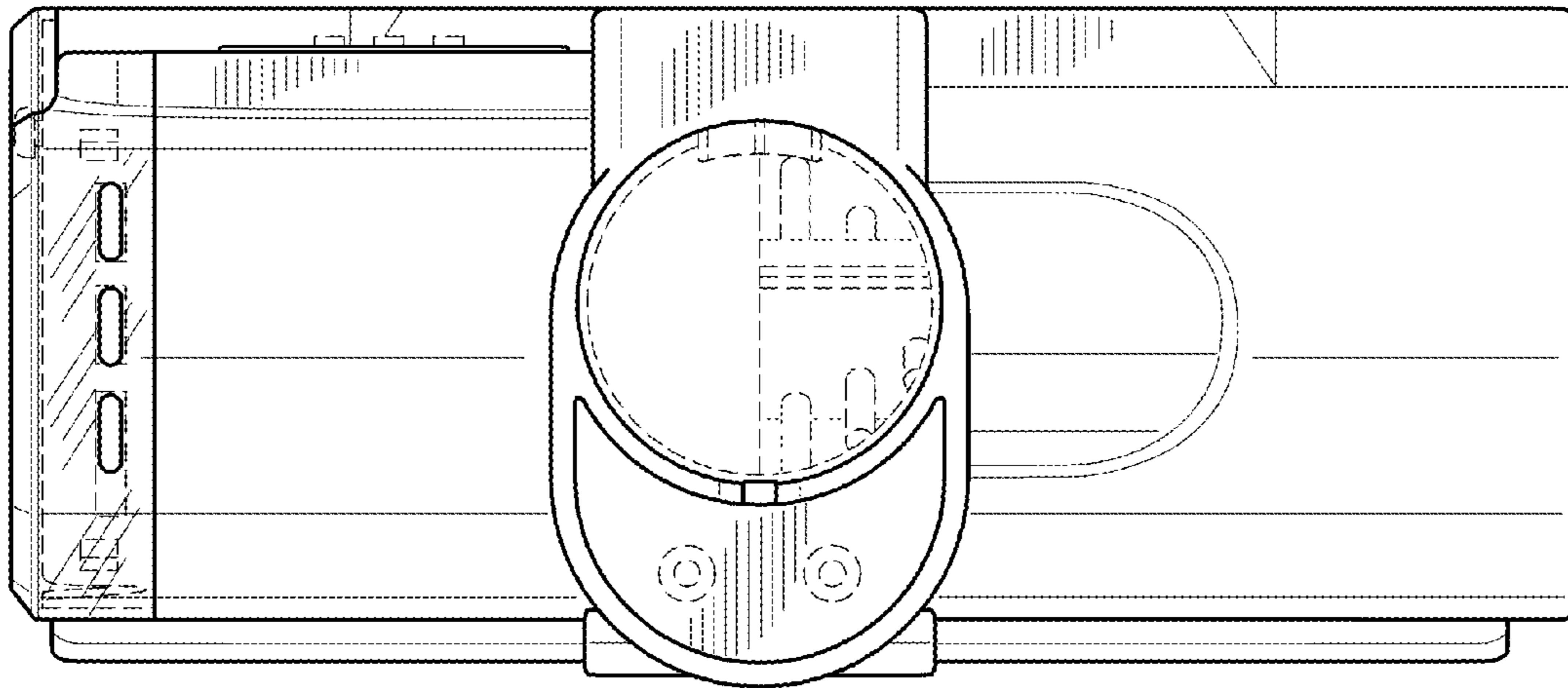


FIG. 6

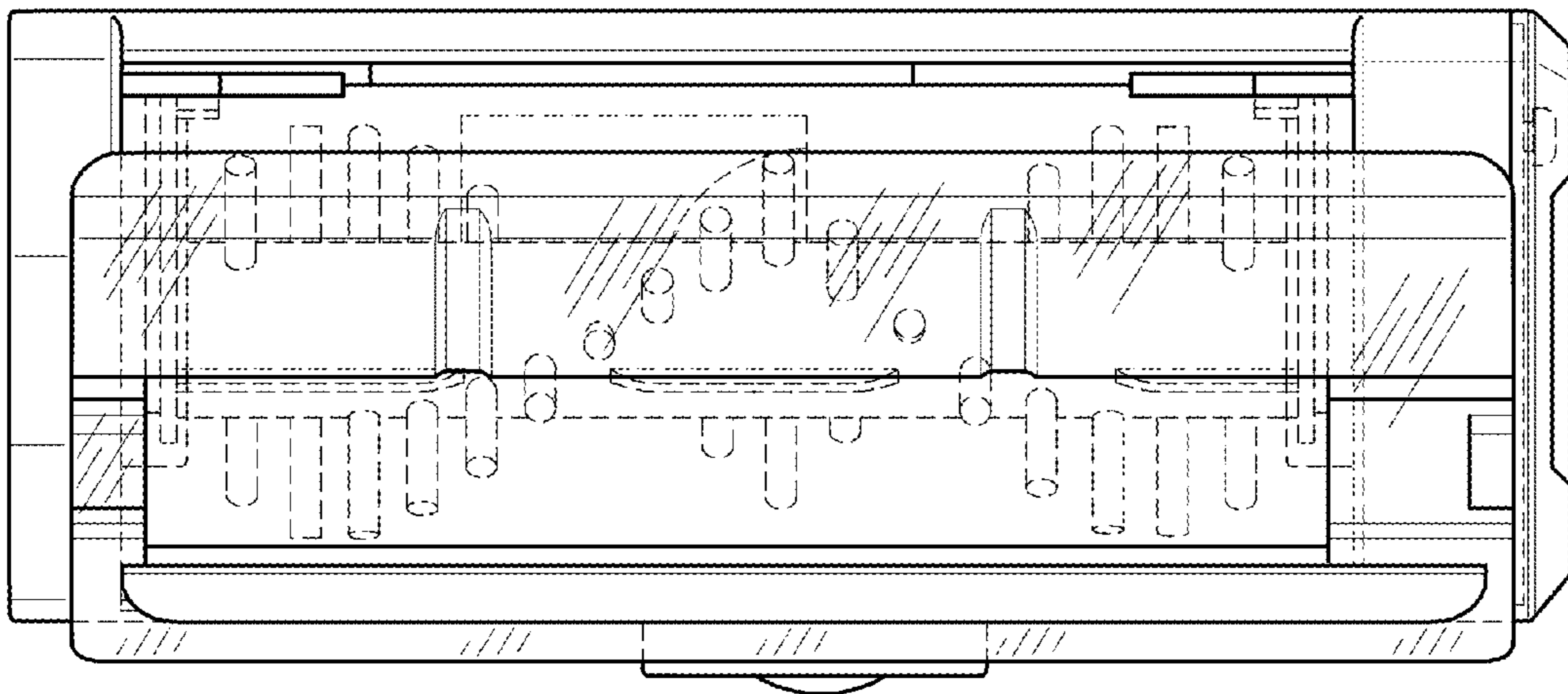


FIG. 7

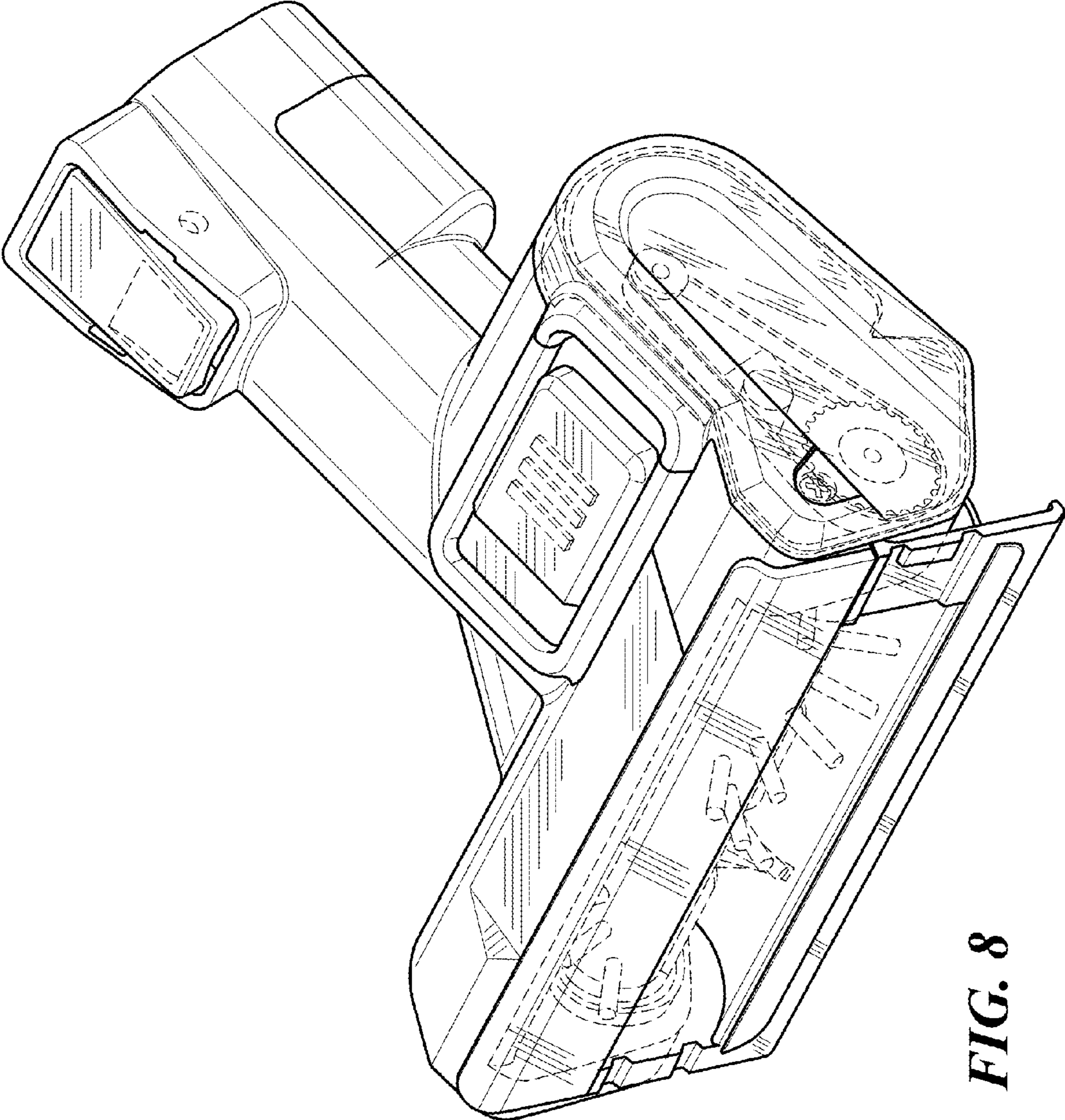


FIG. 8

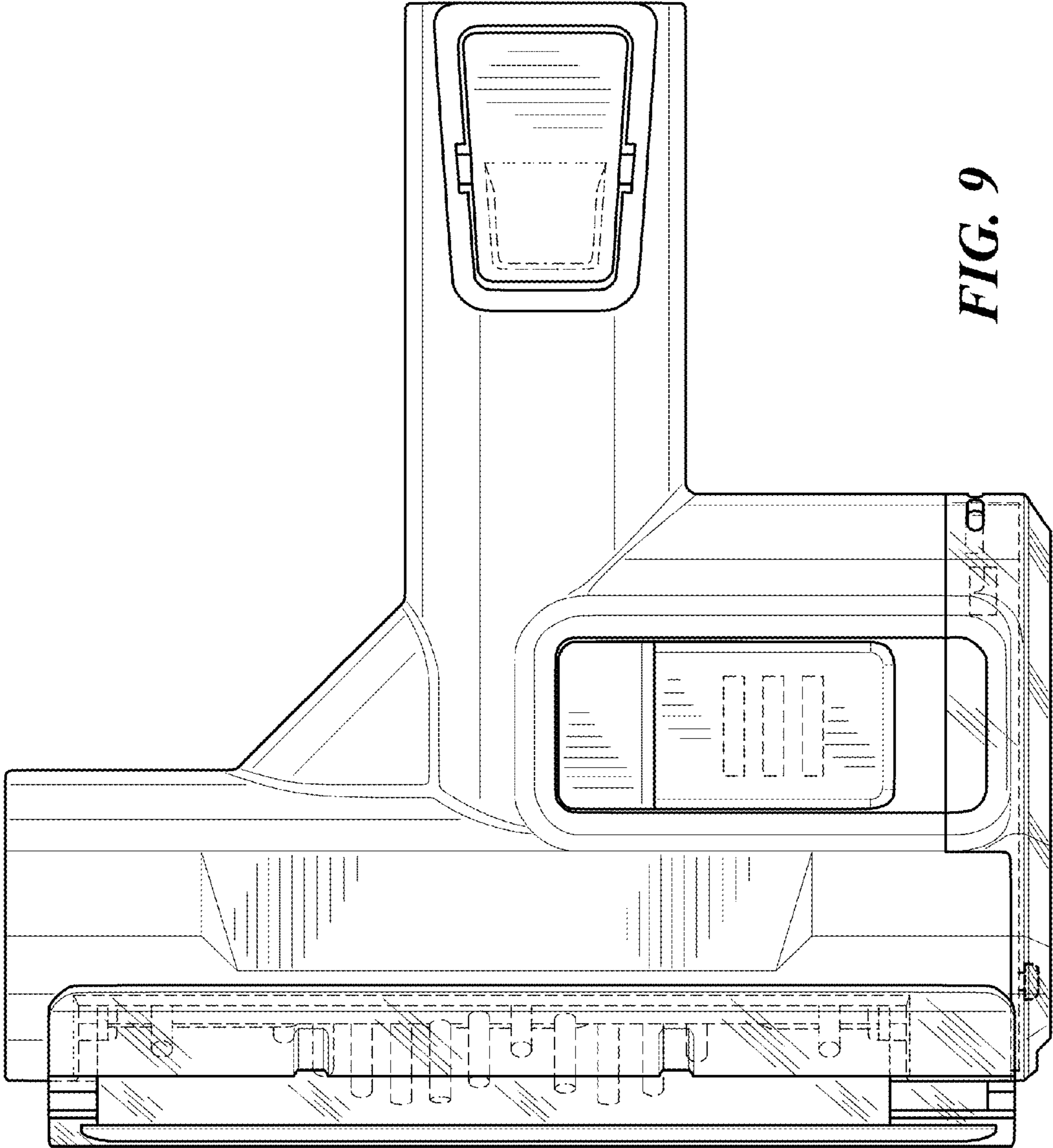
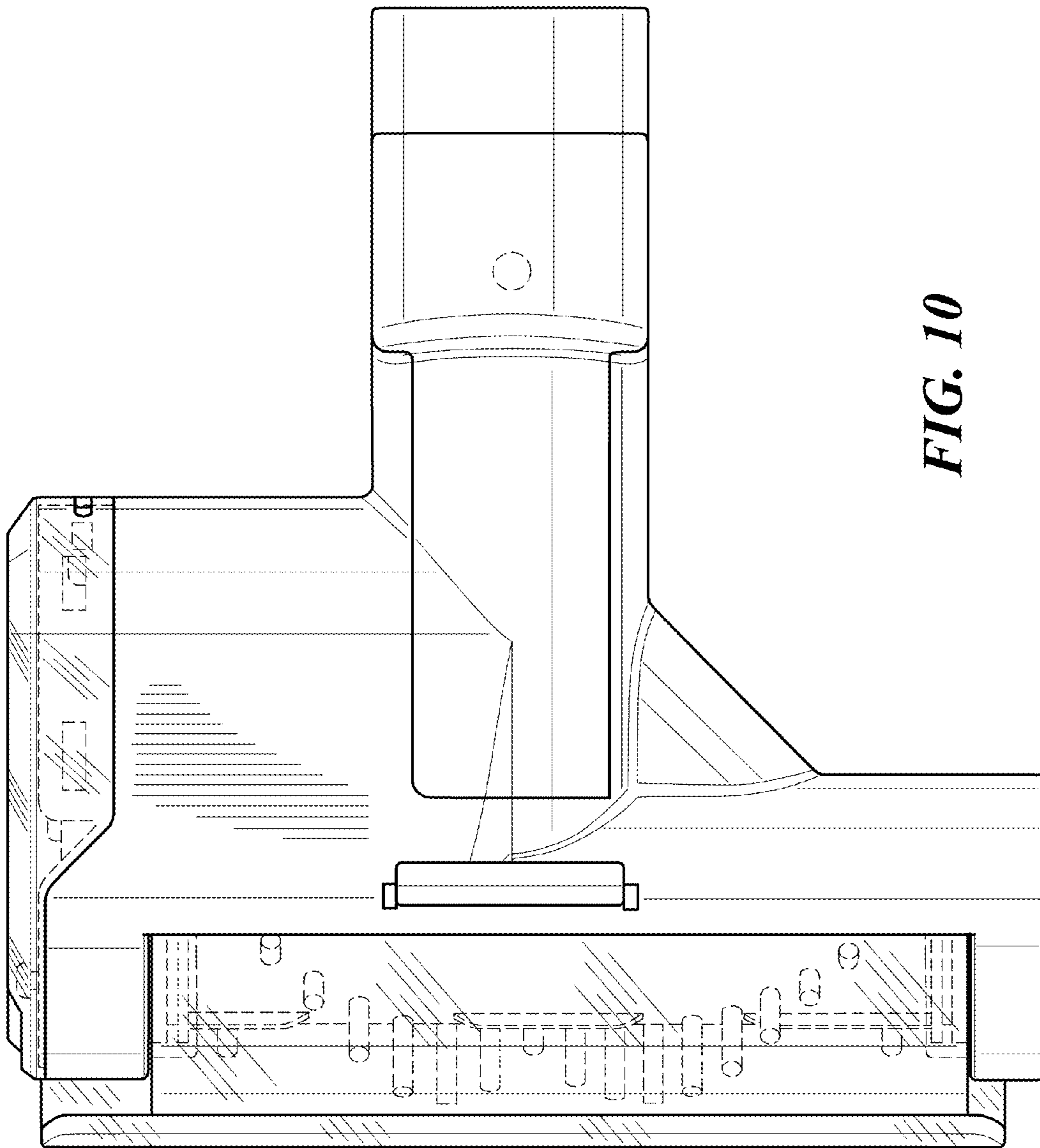


FIG. 9



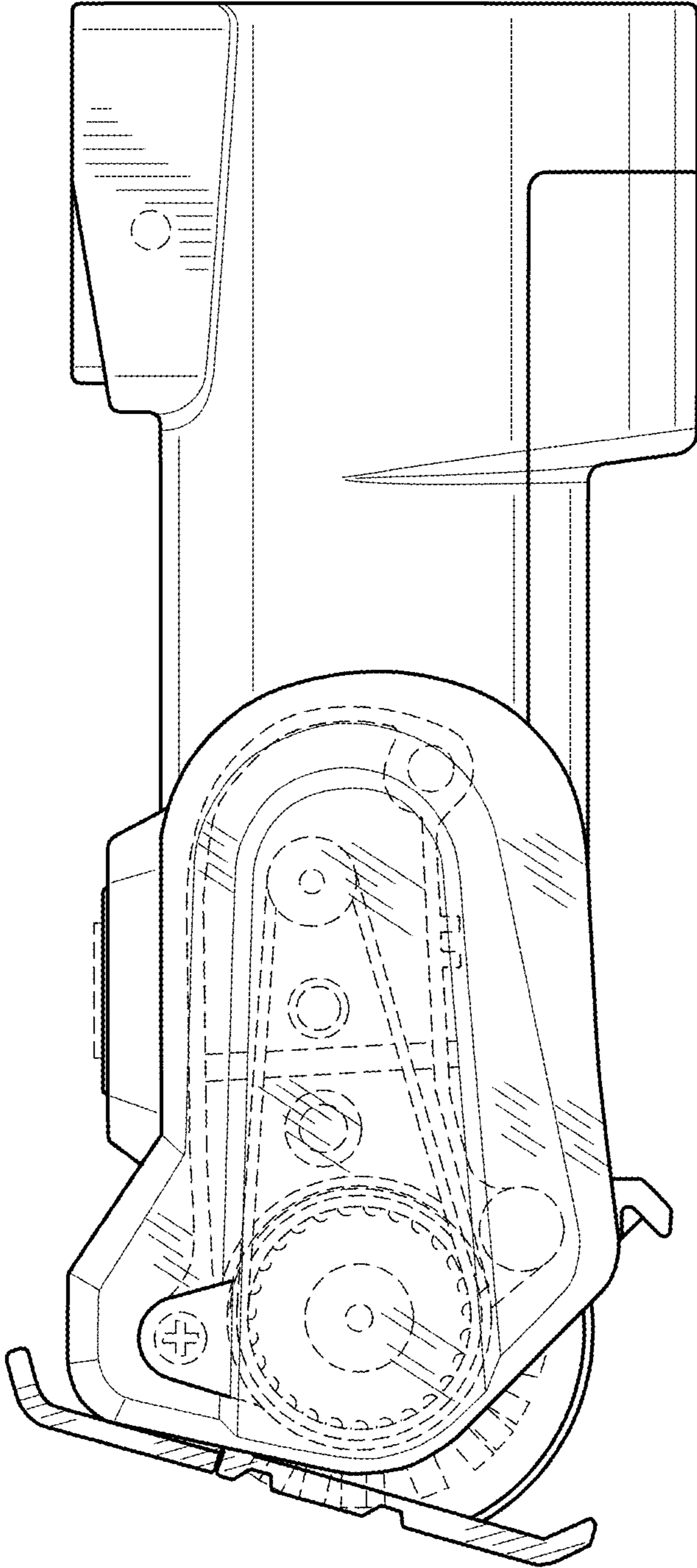


FIG. 11

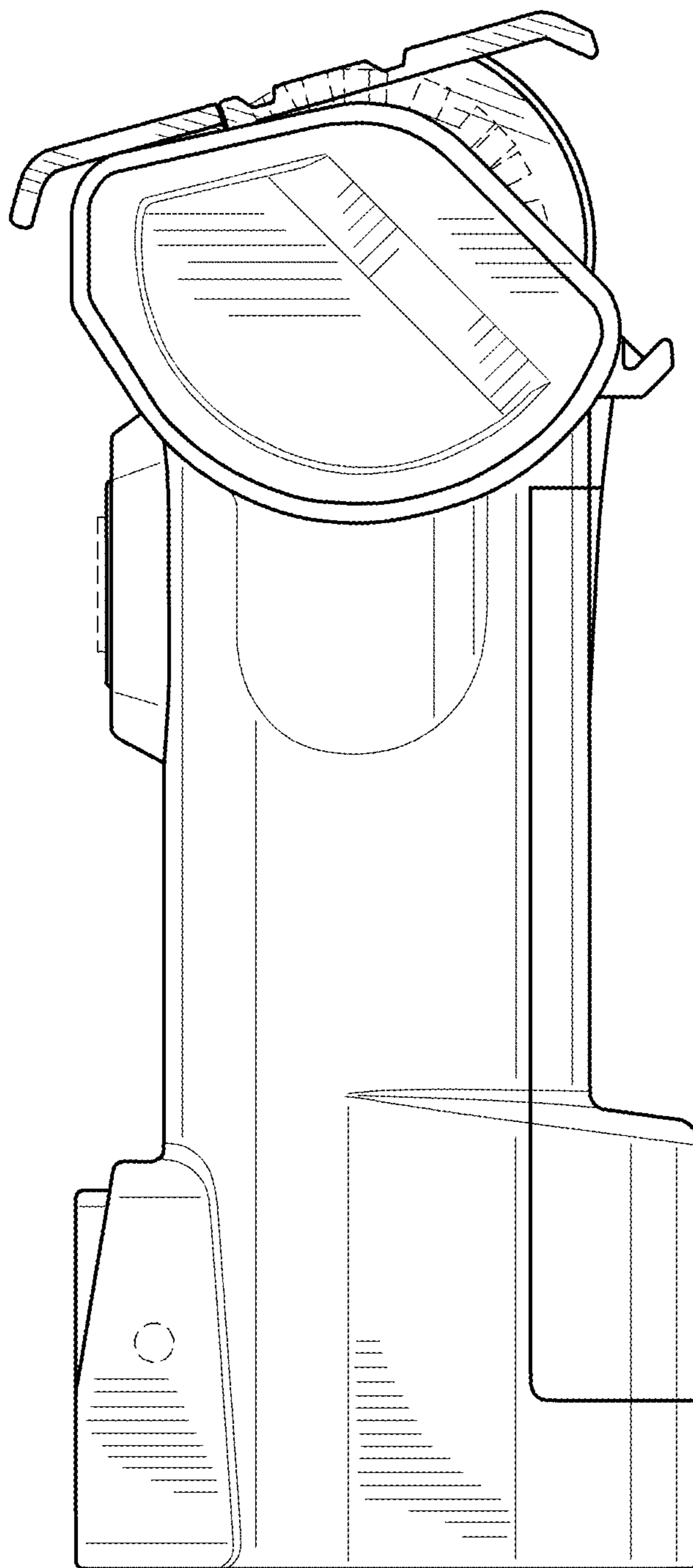


FIG. 12

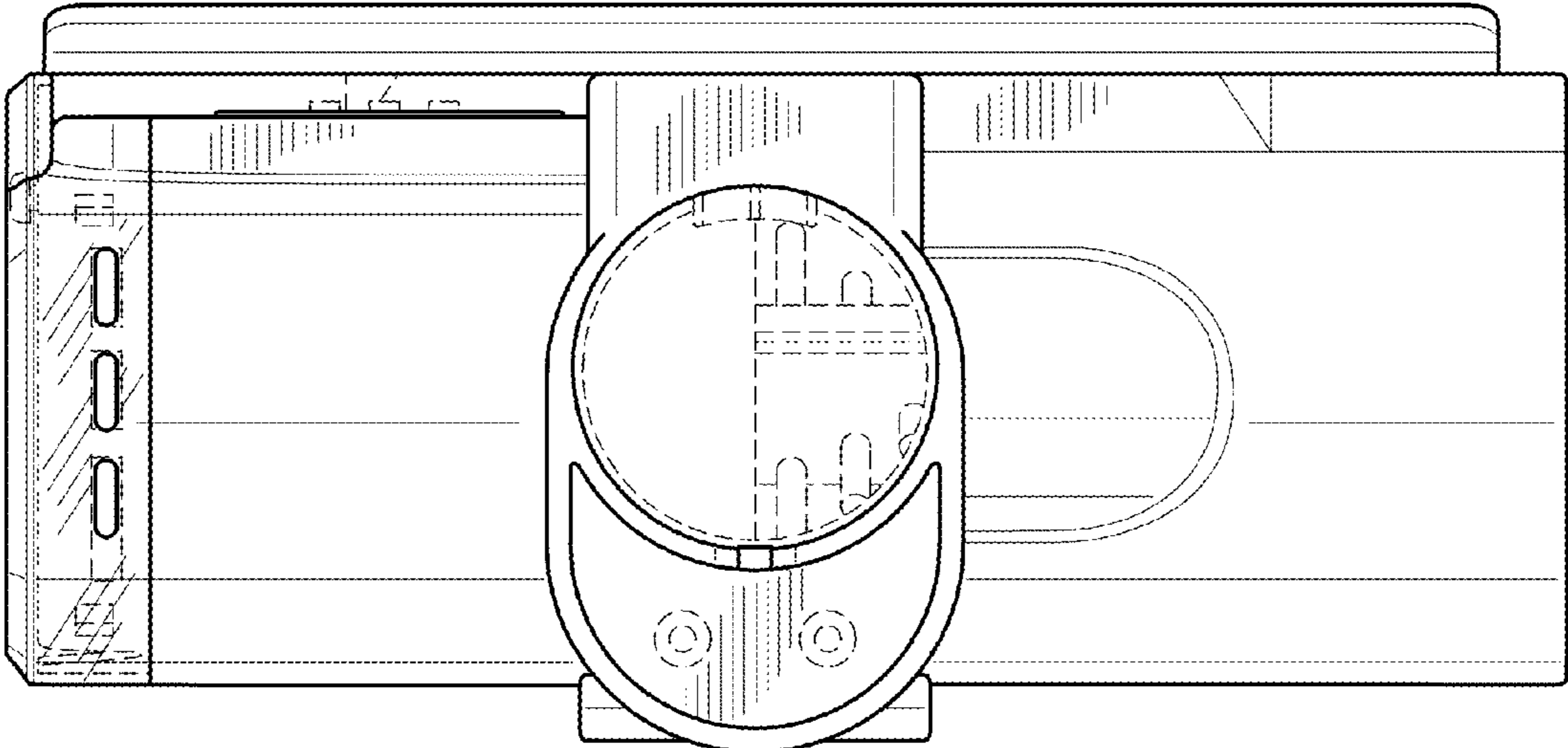


FIG. 13

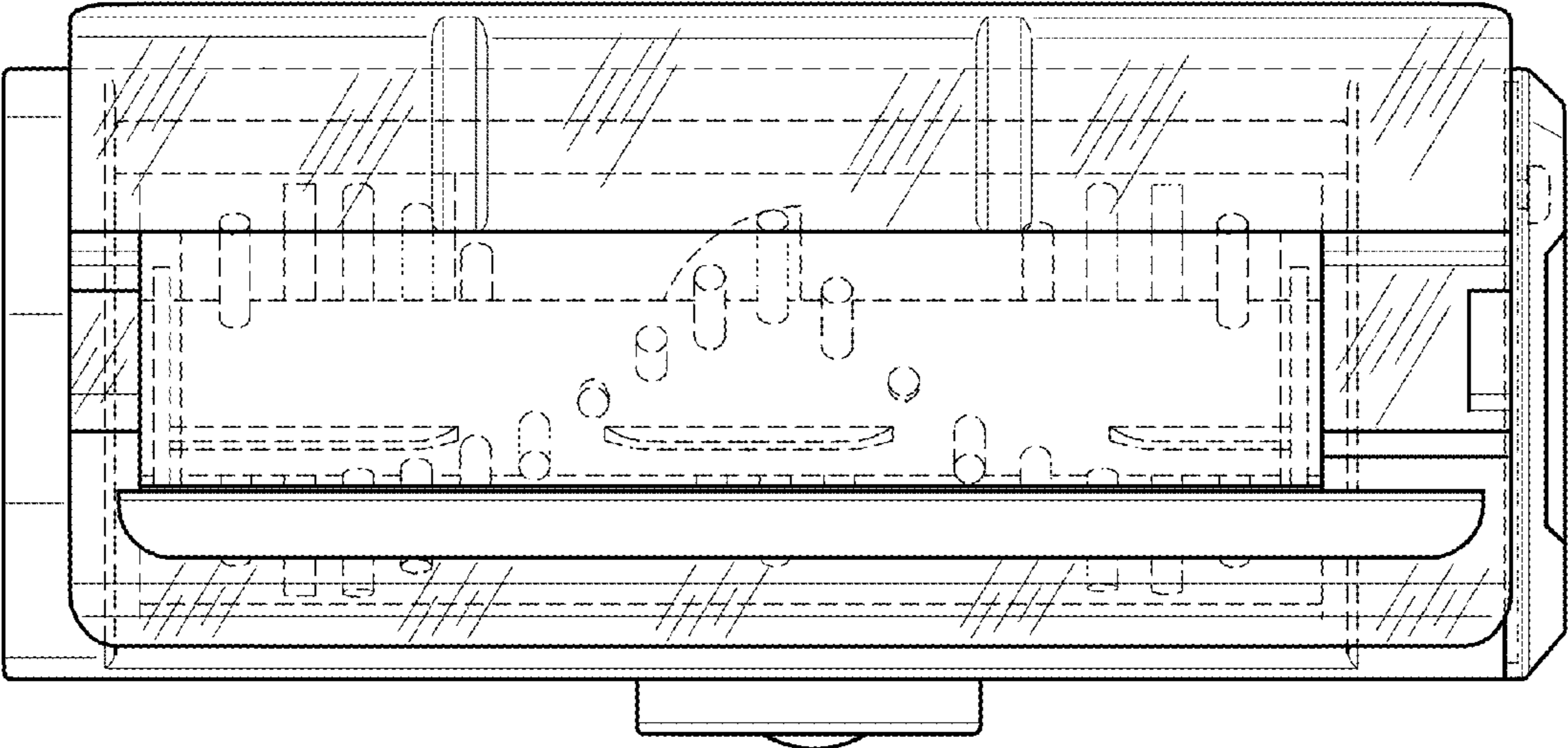


FIG. 14