



US00D761506S

(12) **United States Design Patent**  
**Choi et al.**

(10) **Patent No.:** **US D761,506 S**  
(45) **Date of Patent:** **\*\* Jul. 12, 2016**

(54) **DOOR FOR WASHING MACHINE**  
(71) Applicant: **Samsung Electronics Co., Ltd.**,  
Suwon-si, Gyeonggi-do (KR)  
(72) Inventors: **Hyoung-Sub Choi**, Goyang-si (KR);  
**Deok-Sang Yun**, Ansan-si (KR)  
(73) Assignee: **SAMSUNG ELECTRONICS CO.,**  
**LTD.** (KR)  
(\*\*) Term: **15 Years**  
(21) Appl. No.: **29/530,949**  
(22) Filed: **Jun. 22, 2015**

(30) **Foreign Application Priority Data**  
Dec. 22, 2014 (KR) ..... 30-2014-0062384  
(51) **LOC (10) Cl.** ..... **15-05**  
(52) **U.S. Cl.**  
USPC ..... **D32/25**  
(58) **Field of Classification Search**  
USPC ..... D32/3-6, 8, 10, 24, 25, 28; 312/228,  
312/228.1, 236, 294, 326; 8/137; 34/108,  
34/595-597  
CPC ..... D06F 39/02; D06F 37/10; D06F 37/28;  
D06F 58/00; A47B 77/08  
See application file for complete search history.

(56) **References Cited**  
U.S. PATENT DOCUMENTS  
D620,656 S \* 7/2010 Bixby ..... D32/25  
D648,084 S \* 11/2011 Browne ..... D32/28  
D648,497 S \* 11/2011 Bhattacharya ..... D32/28  
D697,680 S \* 1/2014 Hwang ..... D32/25  
D709,657 S \* 7/2014 Shin ..... D32/25  
D711,605 S \* 8/2014 Jo ..... D32/25  
D729,995 S \* 5/2015 Song ..... D32/6

D730,594 S \* 5/2015 Kang ..... D32/6  
D744,177 S \* 11/2015 Jung ..... D32/6  
2003/0042654 A1 \* 3/2003 Bienick ..... D06F 37/18  
264/239  
2004/0231370 A1 \* 11/2004 Cheo ..... D06F 37/28  
68/3 R  
2015/0076977 A1 \* 3/2015 Kim ..... D06F 39/005  
312/228  
2015/0123521 A1 \* 5/2015 Lee ..... D06F 39/14  
312/228  
2015/0252508 A1 \* 9/2015 Kim ..... D06F 1/04  
68/27  
2015/0345069 A1 \* 12/2015 Leibman ..... D06F 39/028  
68/17 R  
2016/0010268 A1 \* 1/2016 Hawboldt ..... D06F 39/087  
8/137

\* cited by examiner

*Primary Examiner* — Rosemary K Tarcza  
*Assistant Examiner* — Yolanda Robinson  
(74) *Attorney, Agent, or Firm* — Cantor Colburn LLP

(57) **CLAIM**  
The ornamental design for a door for washing machine, as shown and described.

**DESCRIPTION**

FIG. 1 is a perspective view of a door for washing machine, showing our new design;  
FIG. 2 is a front view thereof;  
FIG. 3 is a rear view thereof;  
FIG. 4 is a side view thereof;  
FIG. 5 is another side view thereof;  
FIG. 6 is a top view thereof;  
FIG. 7 is a bottom view thereof; and,  
FIG. 8 is a perspective view thereof as shown in a washing machine environment.  
The broken lines in the figures are for environmental purposes only and form no part of the claimed design.

**1 Claim, 8 Drawing Sheets**

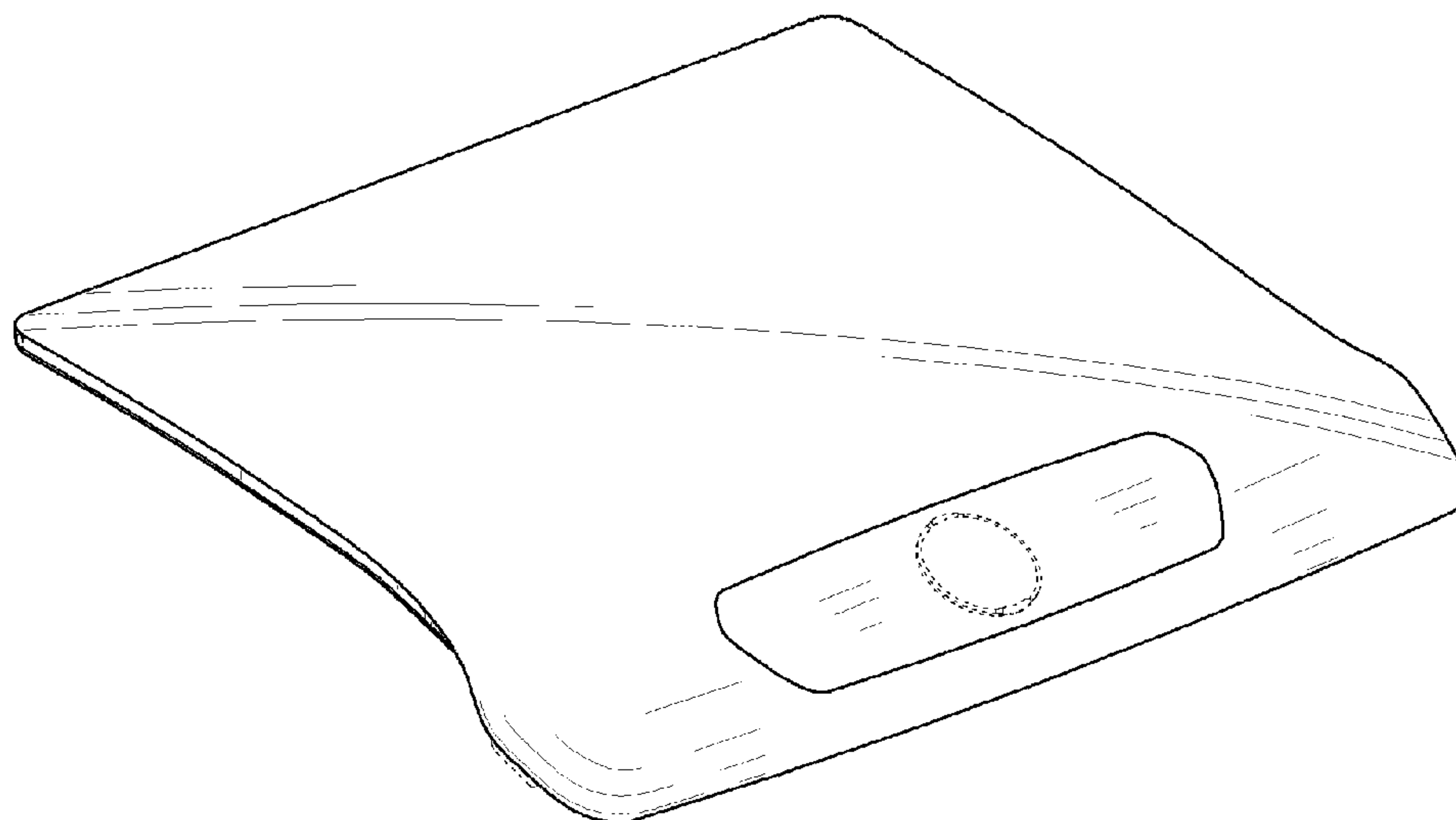


FIG. 1

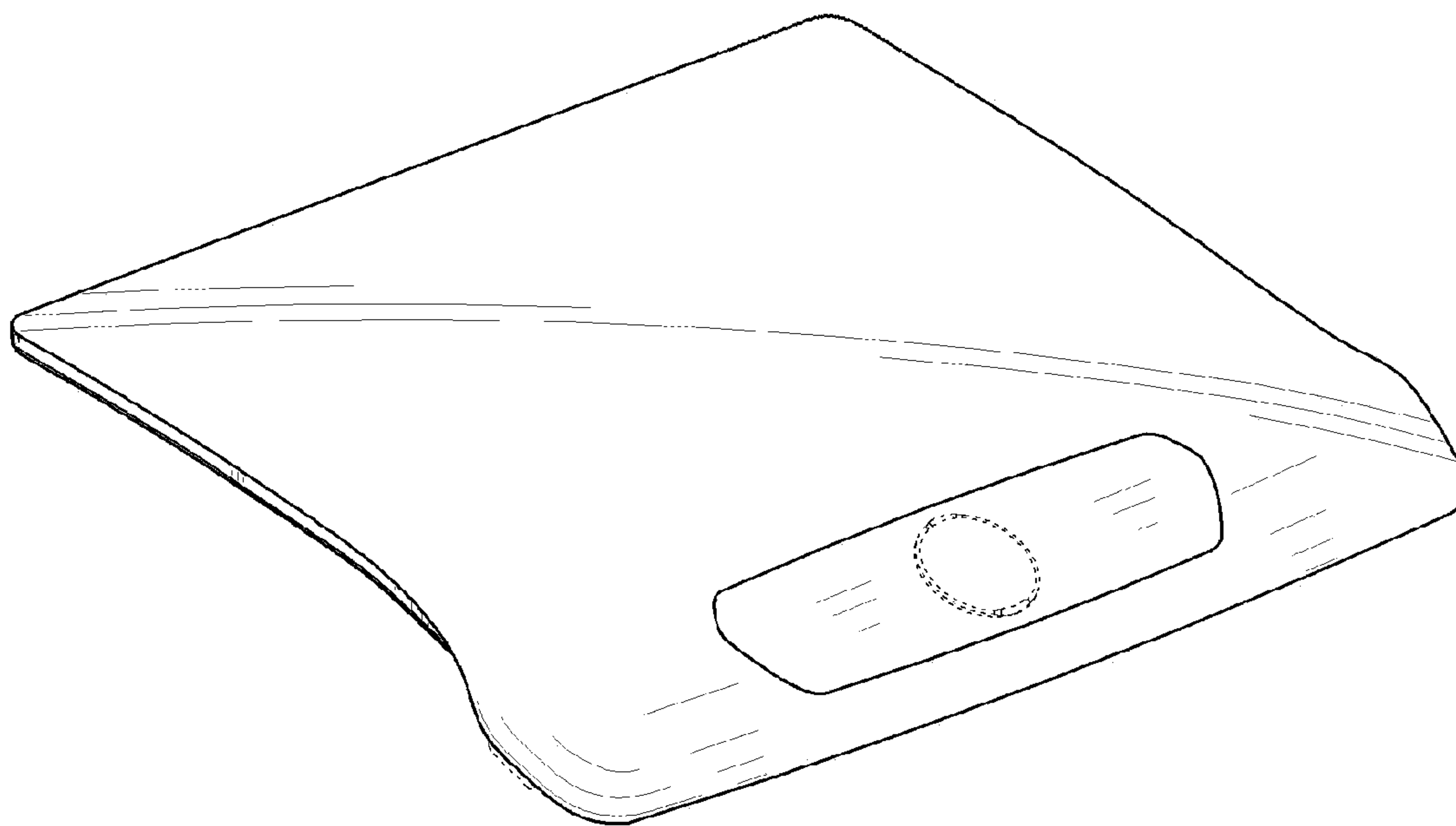


FIG. 2

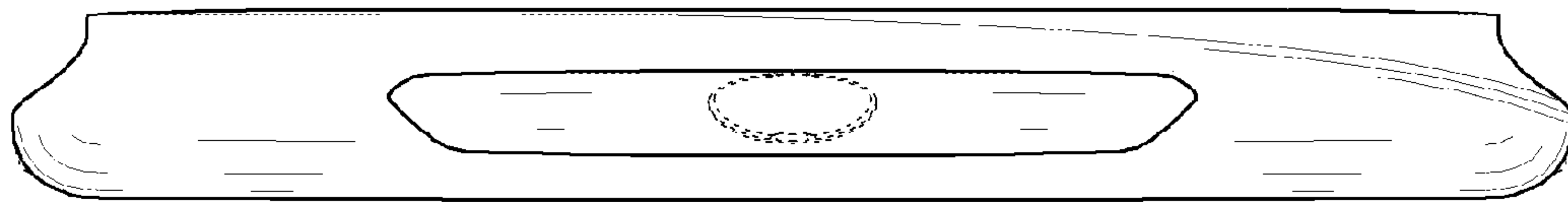


FIG. 3

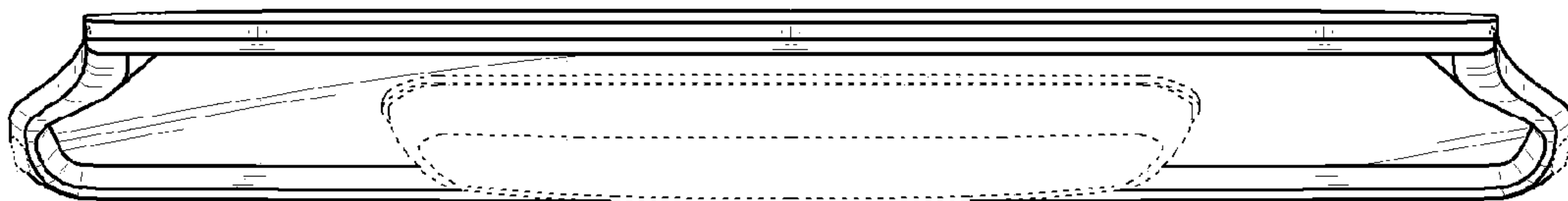


FIG. 4



FIG. 5



FIG. 6

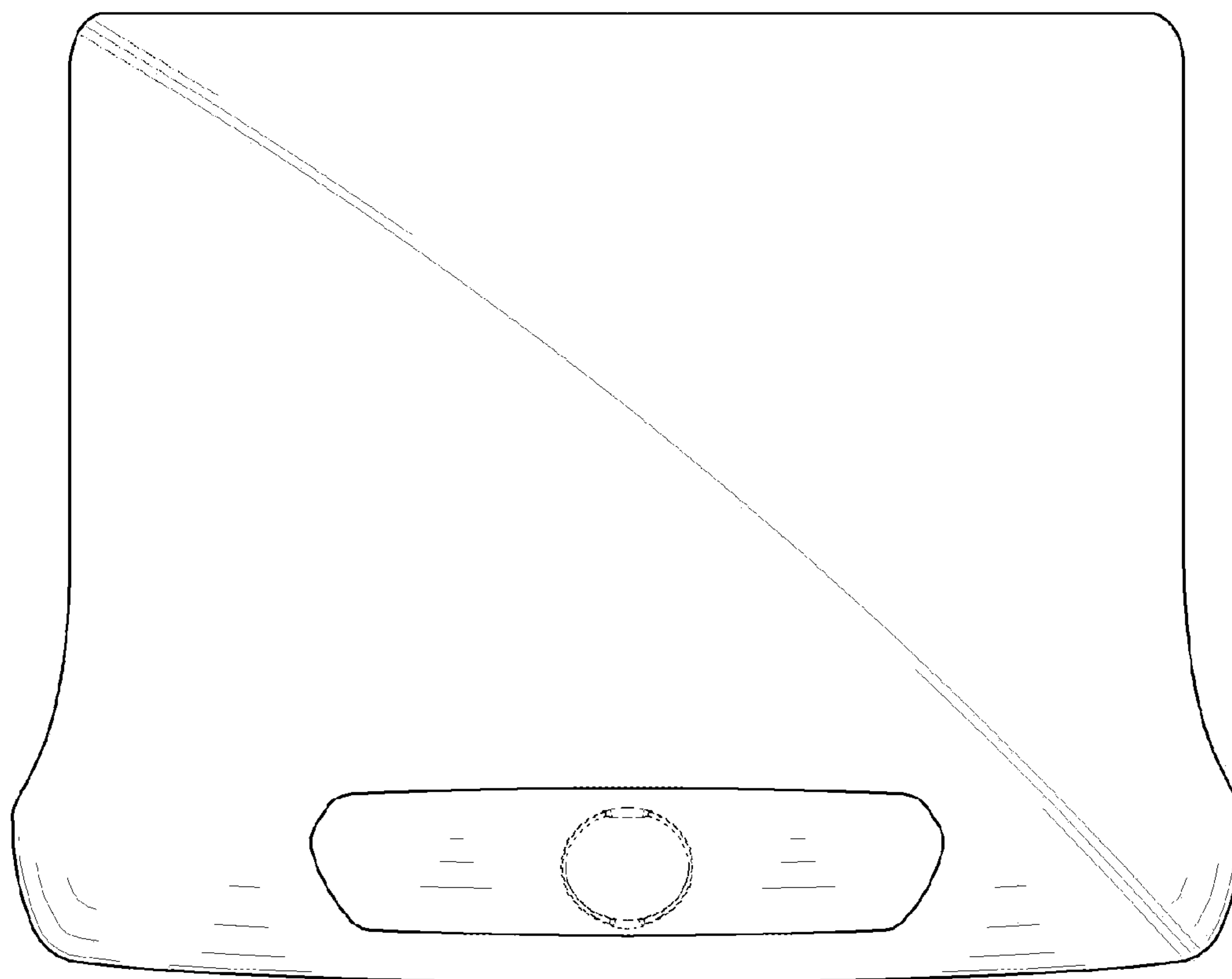


FIG. 7

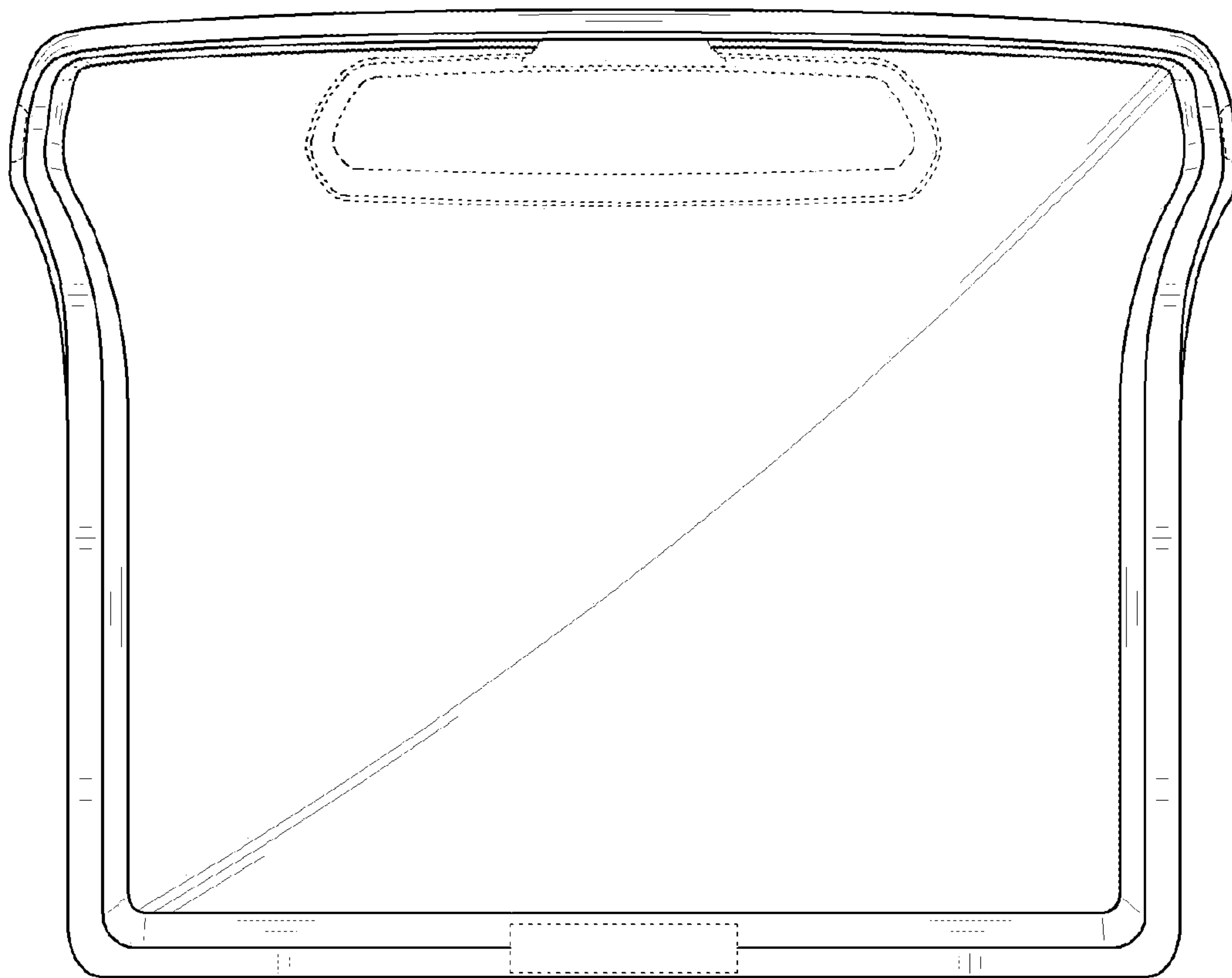




FIG. 8

