



US00D761505S

(12) **United States Design Patent**
Tyler et al.

(10) **Patent No.:** **US D761,505 S**
(45) **Date of Patent:** **** Jul. 12, 2016**

(54) **FLOOR CLEANING DEVICE**

D345,830 S * 4/1994 Furcron et al. D32/22
D346,247 S * 4/1994 Furcron et al. D32/22
5,347,679 A * 9/1994 Saunders et al. 15/416

(71) Applicant: **Techtronic Floor Care Technology Limited**, Tortola (VG)

(Continued)

(72) Inventors: **Jake Tyler**, Birmingham (GB);
Matthew J. Ward, East Yorkshire (GB)

FOREIGN PATENT DOCUMENTS

(73) Assignee: **Techtronic Floor Care Technology Limited**, Tortola (VG)

CA 112007 * 7/2005
GB 2020415 * 4/1992
GB 3021018 * 7/2005

(**) Term: **14 Years**

(21) Appl. No.: **29/471,562**

OTHER PUBLICATIONS

(22) Filed: **Nov. 1, 2013**

Best Tile for Bathroom Floor, Announced Jul. 31, 2012, [Site Visited Apr. 21, 2015] http://hotaskim.blogspot.com/2012_07_01_archive.html.*

(Continued)

(30) **Foreign Application Priority Data**

Primary Examiner — John Windmuller
Assistant Examiner — Luqman McNeil

May 2, 2013 (CN) 2013 3 0152424
May 2, 2013 (CN) 2013 3 0152558
May 2, 2013 (CN) 2013 3 0152641

(74) *Attorney, Agent, or Firm* — Michael Best & Friedrich LLP

(51) **LOC (10) Cl.** **15-05**

(57) **CLAIM**

We claim the ornamental design for a floor cleaning device, as shown and described.

(52) **U.S. Cl.**
USPC **D32/15**

DESCRIPTION

(58) **Field of Classification Search**
USPC D32/15, 22, 20, 34, 31, 50, 25, 51, 38;
15/339, 416, 119.2, 114.1, 228;
D4/137
CPC A47L 9/2857; A47L 9/02; A47L 13/146;
A47L 13/12; A47L 13/20
See application file for complete search history.

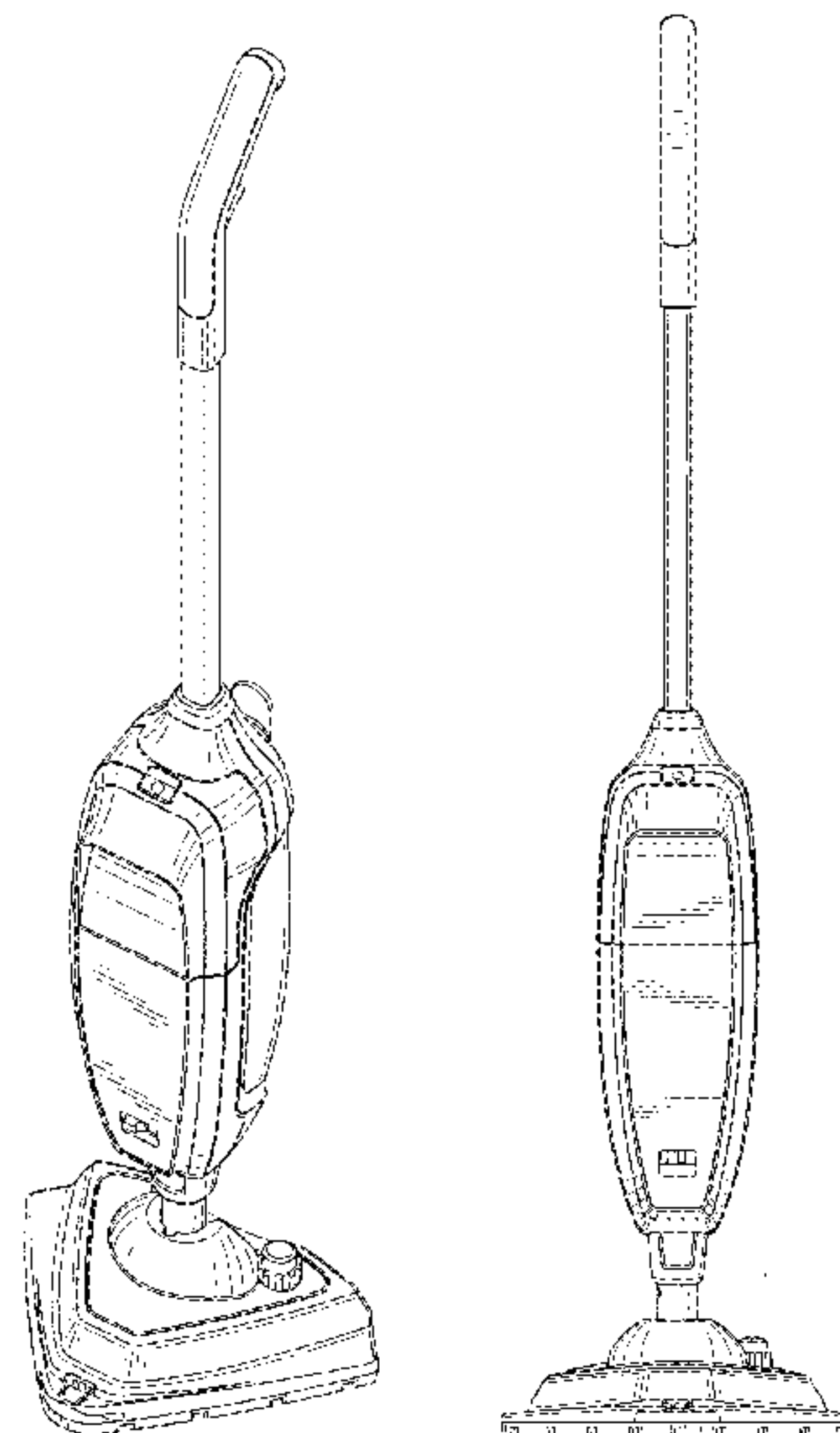
FIG. 1 is a perspective view of a floor cleaning device embodying the invention;
FIG. 2 is a left side view of the floor cleaning device of FIG. 1;
FIG. 3 is a right side view of the floor cleaning device of FIG. 1;
FIG. 4 is a front view of the floor cleaning device of FIG. 1;
FIG. 5 is a rear view of the floor cleaning device of FIG. 1;
FIG. 6 is a top view of the floor cleaning device of FIG. 1; and,
FIG. 7 is a bottom view of the floor cleaning device of FIG. 1.
The elements shown in broken lines are included for the purpose of illustrating environment and form no part of the claimed design.

(56) **References Cited**

U.S. PATENT DOCUMENTS

D219,234 S * 11/1970 Schucker D32/15
D219,348 S * 12/1970 Anderson D32/15
4,559,665 A * 12/1985 Fitzwater 15/339

1 Claim, 4 Drawing Sheets



(56)

References Cited

U.S. PATENT DOCUMENTS

D358,241 S * 5/1995 Bradd D32/22
 D365,179 S * 12/1995 Bradd D32/31
 D399,615 S * 10/1998 Hajjar et al. D32/22
 5,896,613 A * 4/1999 Courtney et al. 15/119.2
 D425,268 S * 5/2000 Morokutti D32/20
 D435,947 S * 1/2001 Paterson et al. D32/34
 D436,426 S * 1/2001 Paterson et al. D32/34
 D443,121 S * 5/2001 Hamm et al. D32/34
 D495,456 S * 8/2004 Ågren et al. D32/22
 6,865,777 B2 * 3/2005 Comstock 16/114.1
 D518,612 S * 4/2006 Parr et al. D32/31
 D519,695 S * 4/2006 Verdura D32/22
 D547,069 S * 7/2007 Braithwaite et al. D4/137
 D549,415 S * 8/2007 Trotter et al. D32/50
 D549,905 S * 8/2007 Bobrosky et al. D32/34
 D558,943 S * 1/2008 Labarbera D32/31
 D568,015 S * 4/2008 Ponikvar et al. D32/31

D568,016 S * 4/2008 Ponikvar et al. D32/32
 D573,760 S * 7/2008 Lam D32/25
 D589,668 S * 3/2009 Byrne D32/50
 7,540,056 B2 * 6/2009 Dotterman et al. 15/228
 D615,717 S * 5/2010 Butts et al. D32/22
 D647,677 S * 10/2011 Dammkoehler D32/51
 D651,777 S * 1/2012 Dammkoehler D32/22
 D653,414 S * 1/2012 Genoa et al. D32/38
 D673,336 S * 12/2012 Kandasamy et al. D32/40

OTHER PUBLICATIONS

Hoover Twin Tank Disinfecting Canister Steam Cleaner—WH20300 Review , Announced Apr. 26, 2012, [Site Visited Apr. 21, 2015] http://www.beststeammops.org/hoover-twintank-disinfecting-can-ister-steam-cleaner-wh20300-review.*
 Co-pending U.S. Appl. No. 27/497,866, filed Jul. 29, 2014.
 Co-pending U.S. Appl. No. 29/497,871, filed Jul. 29, 2014.
 Co-pending U.S. Appl. No. 29/497,874, filed Jul. 29, 2014.

* cited by examiner

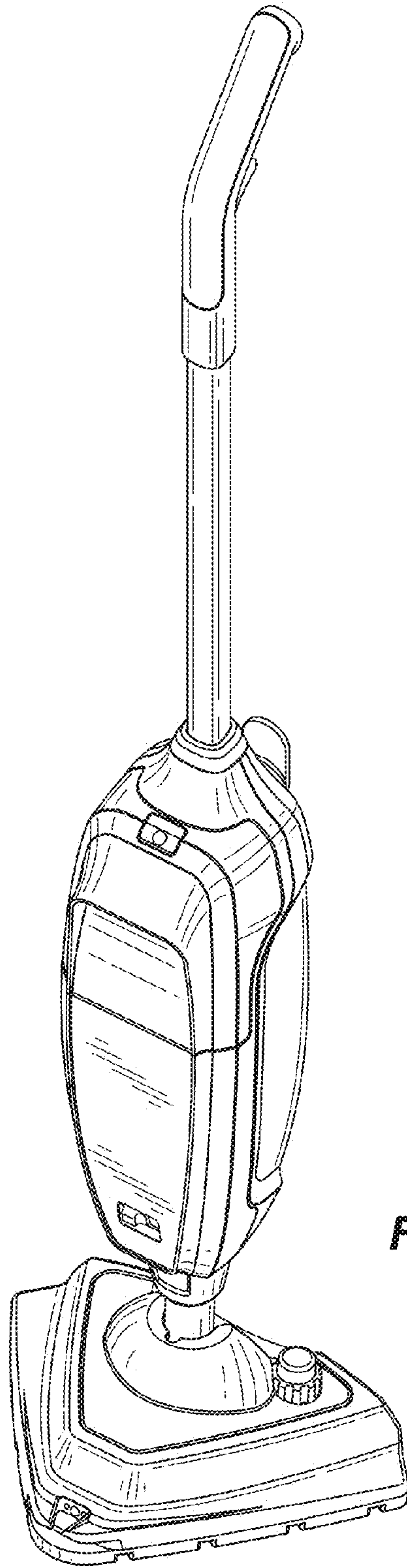


FIG. 1

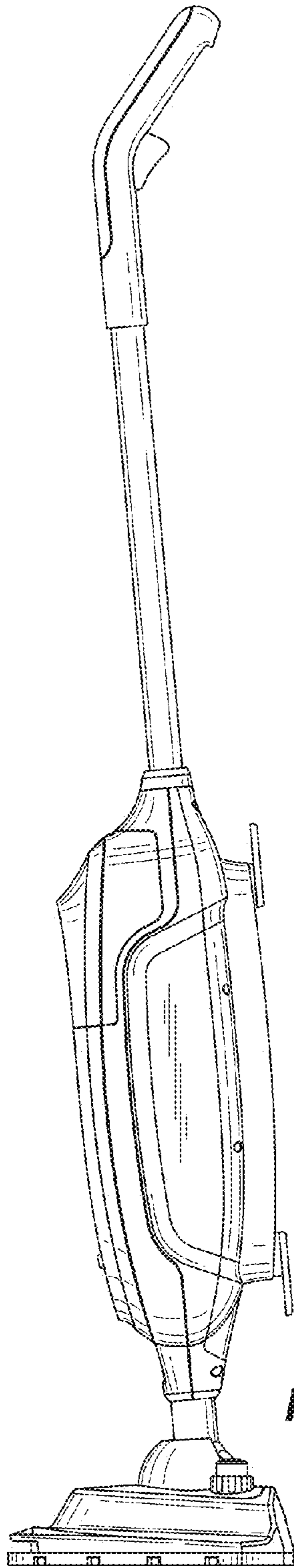


FIG. 2

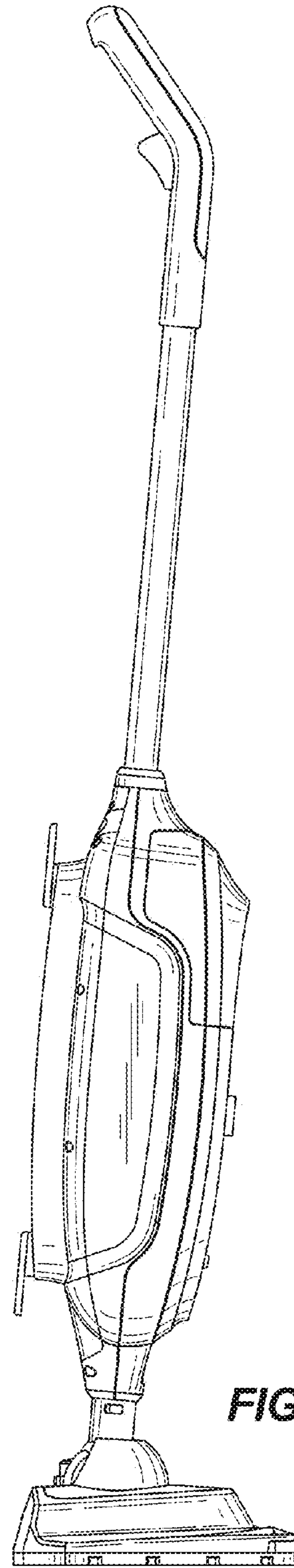


FIG. 3

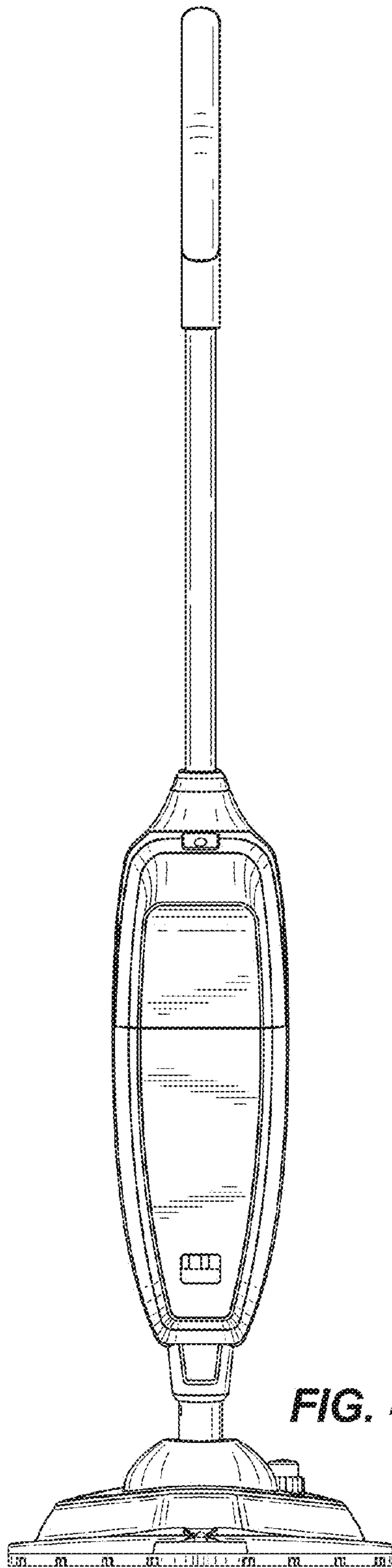


FIG. 4

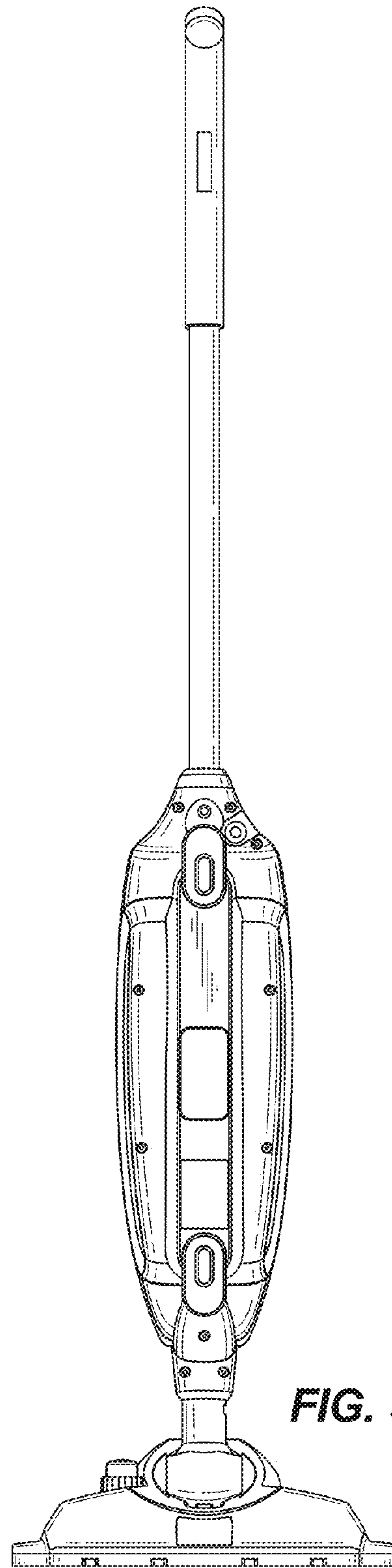


FIG. 5

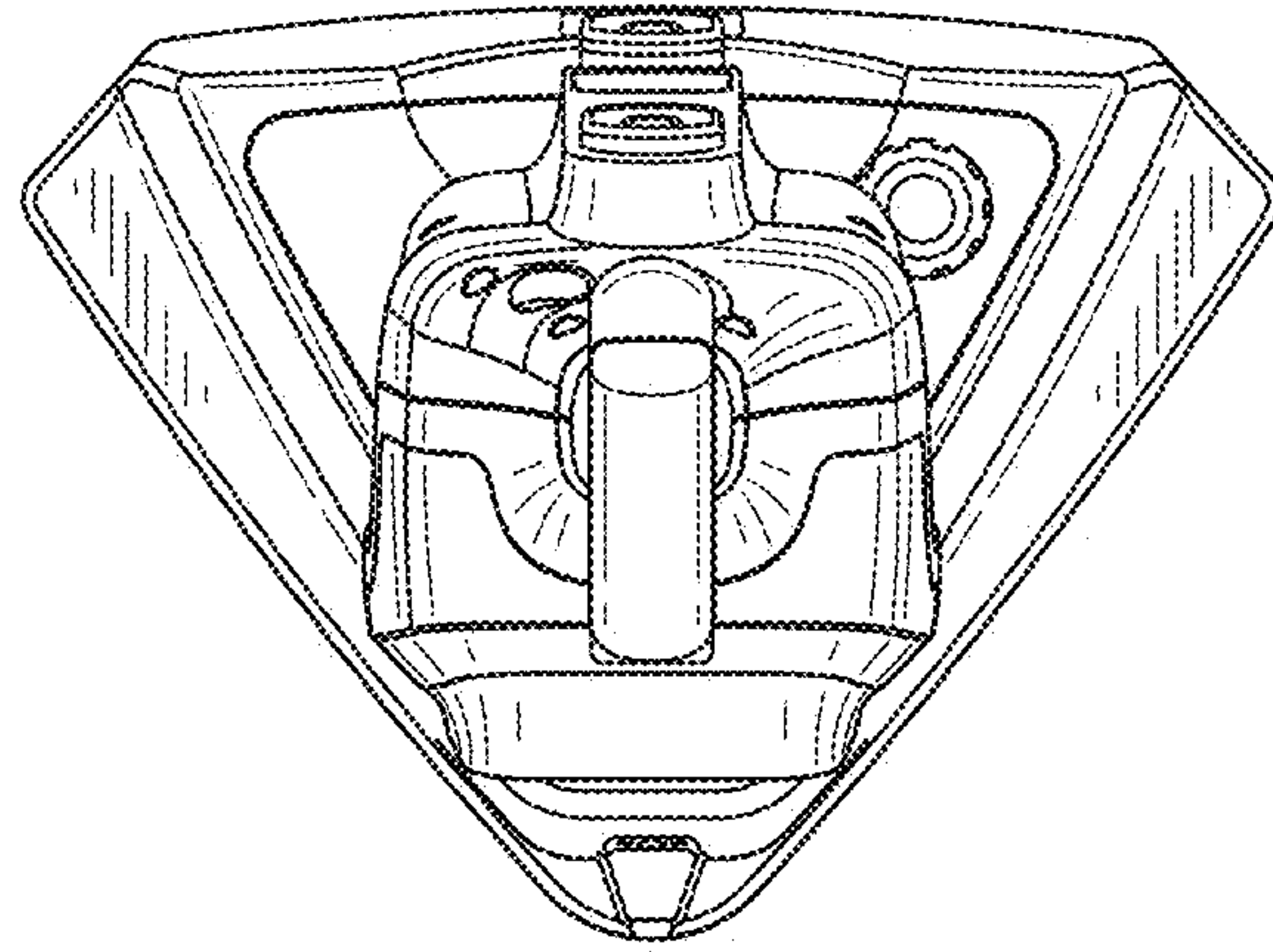


FIG. 6

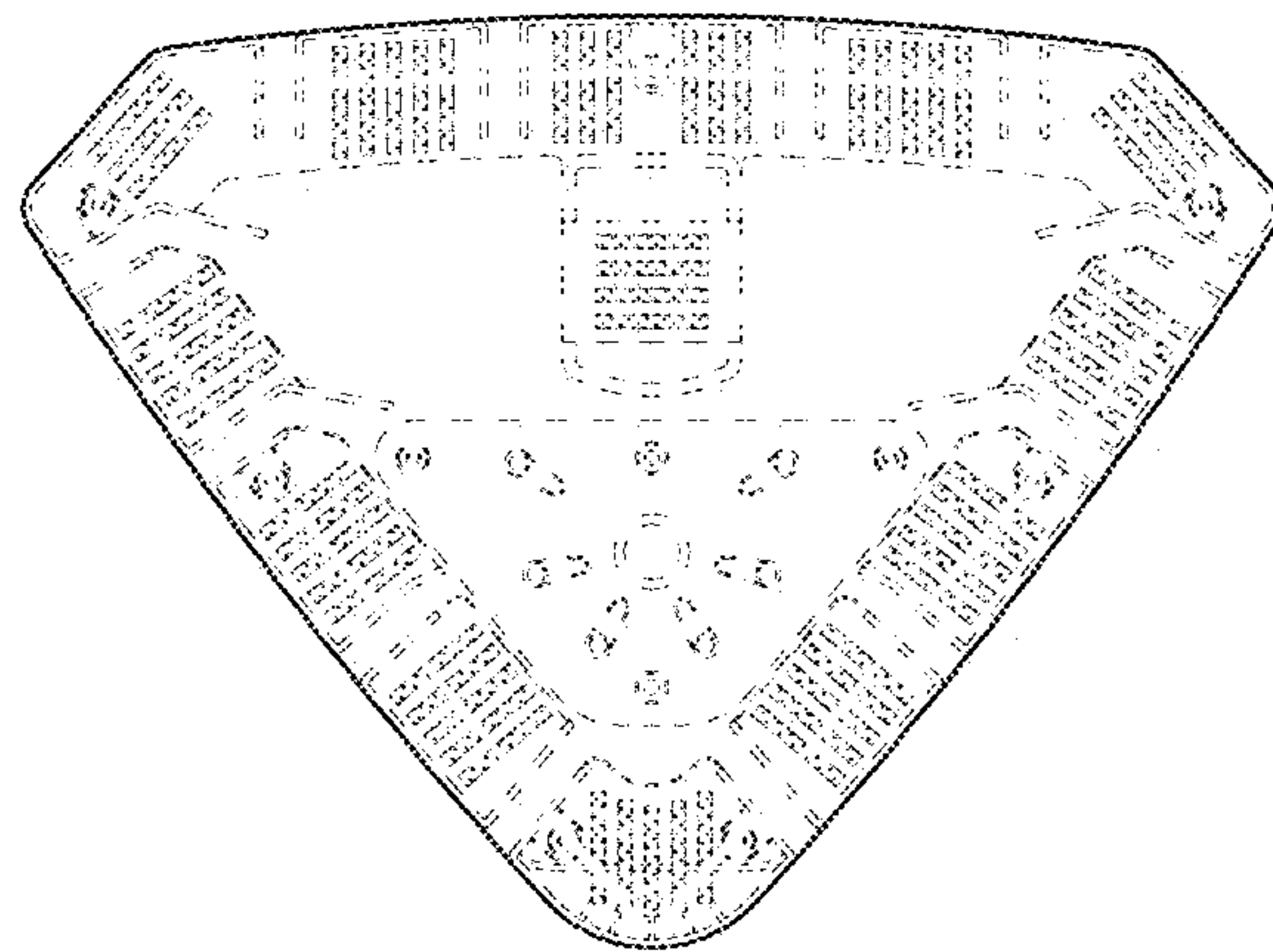


FIG. 7