



US00D761499S

(12) **United States Design Patent**
Pulliam et al.

(10) **Patent No.:** **US D761,499 S**
(45) **Date of Patent:** **** Jul. 12, 2016**

- (54) **ELECTRONIC DOG COLLAR**
- (71) Applicant: **i4C Innovations Inc.**, Chantilly, VA (US)
- (72) Inventors: **Graham Pulliam**, Washington, DC (US); **Jeffrey Bentzler**, Playa Del Rey, CA (US); **John Michael Couse**, Toronto (CA); **Emily Hartman**, Purcellville, VA (US); **Stuart Karten**, Venice, CA (US); **Amanda Landis-Hanna**, Fairfax, VA (US); **Frederick Joel Mason**, Haymarket, VA (US); **Jeffrey Noce**, Alexandria, VA (US); **Jonathan Abarbanel**, Los Angeles, CA (US); **Joe Paul Tupin, Jr.**, Round Hill, VA (US); **Wendy L. Weinberger**, Ashburn, VA (US)
- (73) Assignee: **i4c Innovations Inc.**, Chantilly, VA (US)
- (**) Term: **15 Years**
- (21) Appl. No.: **29/536,429**
- (22) Filed: **Aug. 17, 2015**

Related U.S. Application Data

- (62) Division of application No. 29/478,136, filed on Dec. 31, 2013.
- (51) **LOC (10) Cl.** **30-99**
- (52) **U.S. Cl.**
USPC **D30/199**
- (58) **Field of Classification Search**
USPC D30/144, 145, 151, 152, 153, 155, 199;
D10/104.1, 104.2
CPC ... A01K 15/00; A01K 15/021; A01K 15/022;
A01K 15/023; A01K 11/006; A01K 27/00;
A01K 27/001; A01K 27/009; A01D 15/04
See application file for complete search history.

(56) **References Cited**

U.S. PATENT DOCUMENTS

2,189,096 A 2/1940 Alonge
2,472,351 A 6/1949 Tyler

(Continued)

FOREIGN PATENT DOCUMENTS

EM 000897442-0004 4/2008
EM 001100275-0001 3/2009

(Continued)

OTHER PUBLICATIONS

Dec. 2, 2014 (JP) Notification of Reason for Refusal—App. No. 2014-014368—English translation.

(Continued)

Primary Examiner — Martie K Holtje

(74) *Attorney, Agent, or Firm* — Banner & Witcoff, Ltd.

(57) **CLAIM**

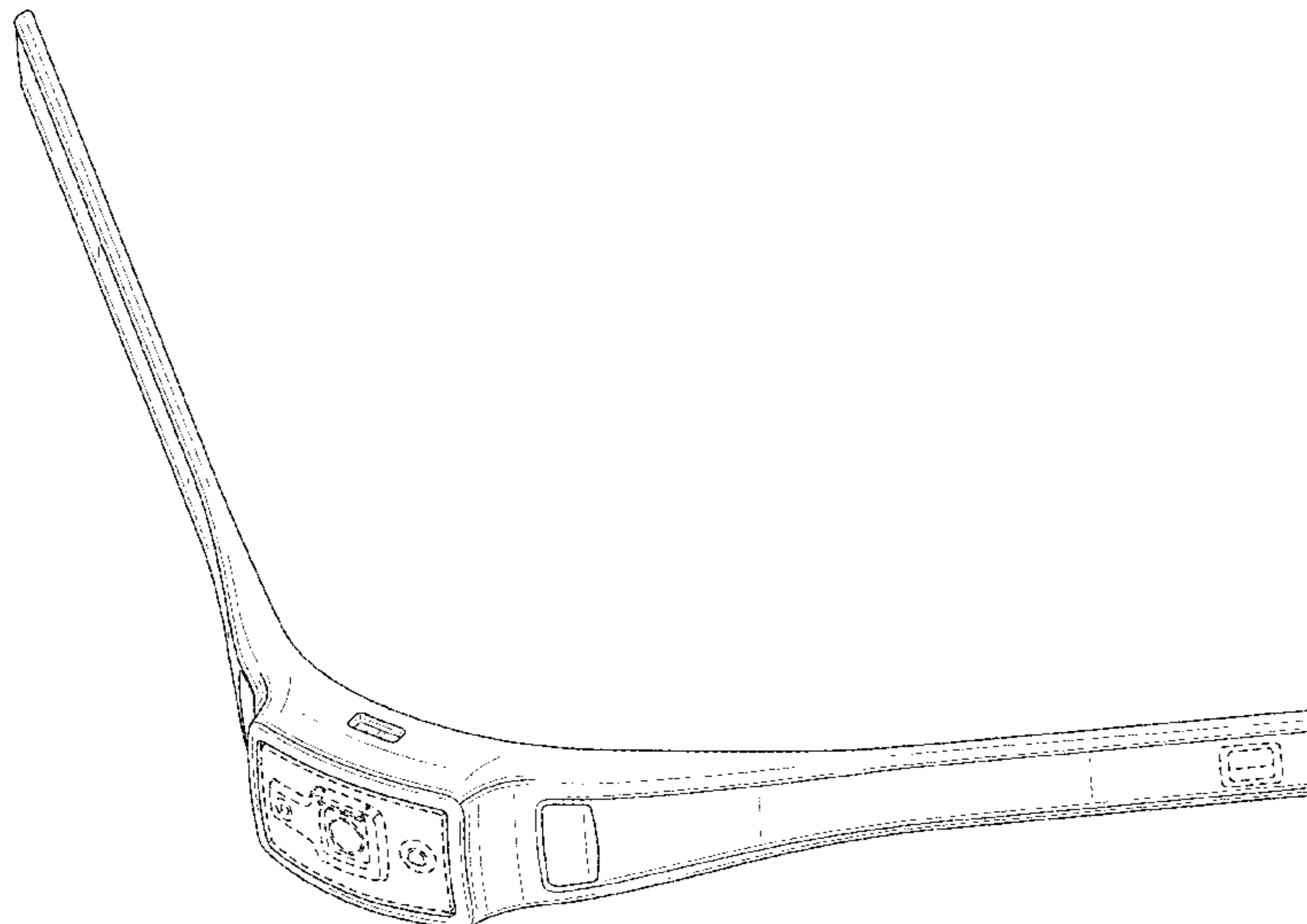
The ornamental design for an electronic dog collar, as shown and described.

DESCRIPTION

FIG. 1 is a front perspective view of an electronic dog collar; FIG. 2 is a front view thereof; FIG. 3 is a rear view thereof; FIG. 4 is a right side view thereof; FIG. 5 is a left side view thereof; FIG. 6 is a top view thereof; and, FIG. 7 is a bottom view thereof.

The structural features depicted by broken lines in the drawings have been shown for the purpose of illustrating portions of the electronic dog collar that form no part of the claimed design.

1 Claim, 5 Drawing Sheets



(56)

References Cited

U.S. PATENT DOCUMENTS

3,983,483 A 9/1976 Pando
 4,612,719 A 9/1986 de Jong
 4,748,938 A 6/1988 Owen
 D306,504 S 3/1990 Young
 5,046,453 A 9/1991 Vinci
 5,617,814 A 4/1997 Bianco et al.
 D410,206 S * 5/1999 Slater D10/104.1
 5,899,370 A 5/1999 Bould
 5,952,925 A 9/1999 Secker
 6,079,367 A 6/2000 Stapelfeld et al.
 D439,708 S 3/2001 Jenkins
 6,830,014 B1 12/2004 Lalor
 D523,369 S 6/2006 Jacober et al.
 D523,998 S 6/2006 Nottingham et al.
 D545,220 S 6/2007 Leung
 7,249,572 B2 * 7/2007 Goetzl A01K 27/009
 119/719
 D553,037 S * 10/2007 Zakharyan D30/152
 7,382,328 B2 6/2008 Lee, IV et al.
 7,574,979 B2 8/2009 Nottingham et al.
 7,644,685 B2 1/2010 Groh et al.
 7,771,112 B2 8/2010 Morgan
 7,996,983 B2 8/2011 Lee, IV et al.
 8,011,327 B2 9/2011 Mainini et al.
 D660,185 S 5/2012 Schrepfer
 D661,846 S 6/2012 Miller et al.
 D665,952 S 8/2012 Guo
 D666,367 S 8/2012 Miller et al.
 D673,334 S 12/2012 Guo
 8,345,414 B2 1/2013 Mooring et al.
 8,543,134 B2 * 9/2013 Lopez A01K 15/021
 455/411
 D734,900 S 7/2015 Pulliam et al.
 2002/0050250 A1 * 5/2002 Peterson A01K 15/023
 119/721
 2003/0122678 A1 7/2003 Duncan et al.
 2005/0211187 A1 9/2005 Harman et al.
 2006/0169222 A1 8/2006 Gerig
 2007/0204810 A1 9/2007 Nottingham et al.
 2007/0209604 A1 9/2007 Groh et al.
 2007/0222624 A1 9/2007 Eicken et al.

2007/0227465 A1 10/2007 Gerig et al.
 2009/0289844 A1 11/2009 Palsgrove et al.
 2010/0050955 A1 3/2010 Pacheco et al.
 2011/0061605 A1 * 3/2011 Hardi A01K 15/021
 119/721
 2011/0094454 A1 * 4/2011 Won A01K 15/021
 119/720
 2011/0232585 A1 9/2011 Rich et al.
 2013/0002720 A1 1/2013 Chang
 2013/0233252 A1 9/2013 Bellon et al.

FOREIGN PATENT DOCUMENTS

EM 002019786-0001 4/2012
 EM 002106427-0001 10/2012
 EM 002115923-0001 10/2012
 EM 002283119-0001 8/2013
 EM 002283119-0002 8/2013
 EM 002283119-0003 8/2013
 EM 002283119-0004 8/2013
 EM 002283119-0005 8/2013
 JP 2005287708 A 10/2005
 JP 2006280966 A 10/2006
 JP 2011062112 A 3/2011
 WO 2011121753 A1 10/2011

OTHER PUBLICATIONS

Dec. 2, 2014 (JP) Notification of Reason for Refusal—App. No. 2014-014369—English translation.
 Dec. 2, 2014 (JP) Notification of Reason for Refusal—App. No. 2014-014370—English translation.
 Dec. 2, 2014 (JP) Notification of Reason for Refusal—App. No. 2014-014371—English translation.
 Jan. 16, 2015 (CA) Examiner's Report—App. 157458.
 Jan. 16, 2015 (CA) Examiner's Report—App. 157459.
 Jan. 16, 2015 (CA) Examiner's Report—App. 157460.
 Feb. 24, 2015 (KR) Examiner's Report—App. 30-2014-0031953.
 Feb. 24, 2015 (KR) Examiner's Report—App. 30-2014-0031954.
 Feb. 24, 2015 (KR) Examiner's Report—App. 30-2014-0031955.
 Feb. 24, 2015 (KR) Examiner's Report—App. 30-2014-0031957.

* cited by examiner

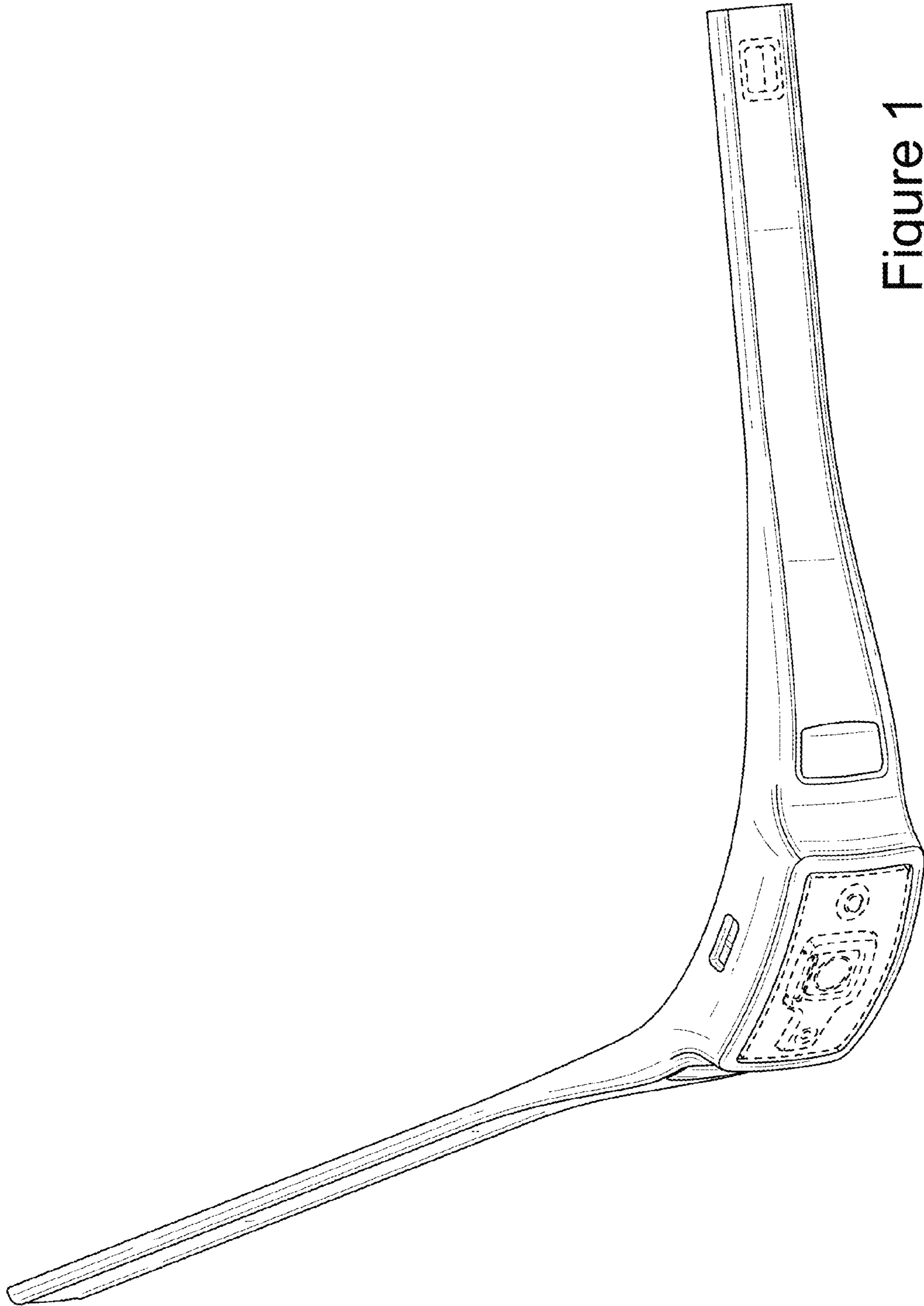


Figure 1

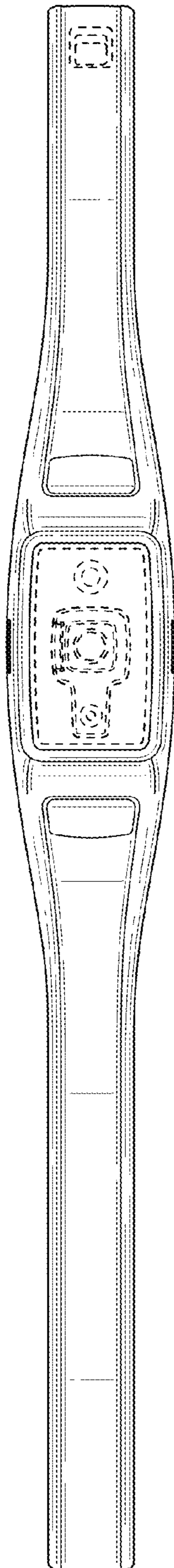


Figure 2

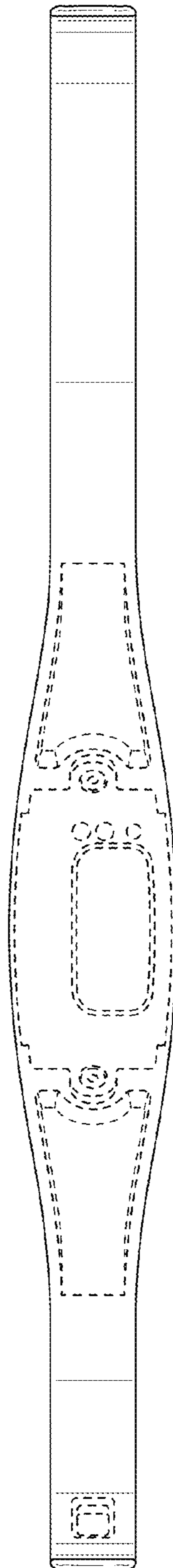


Figure 3

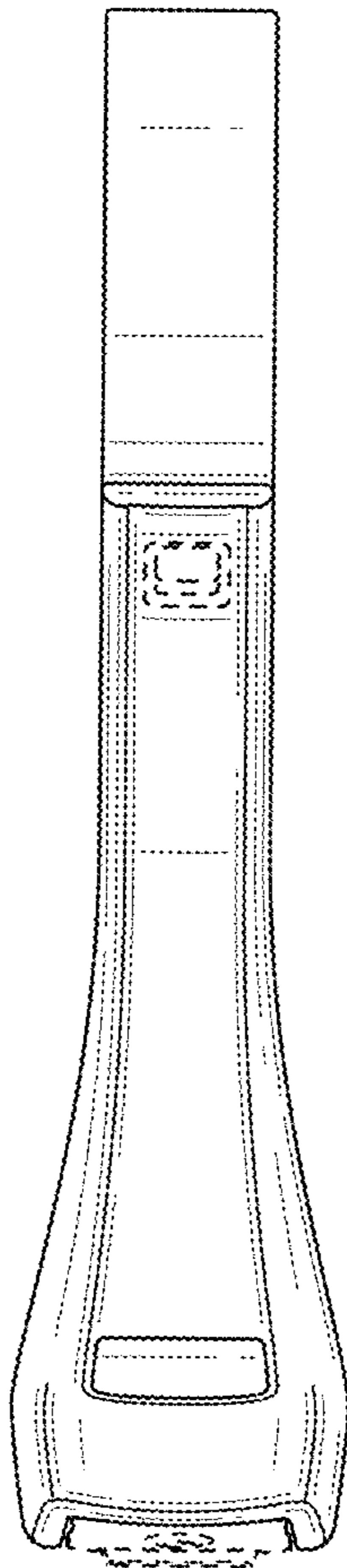


Figure 4

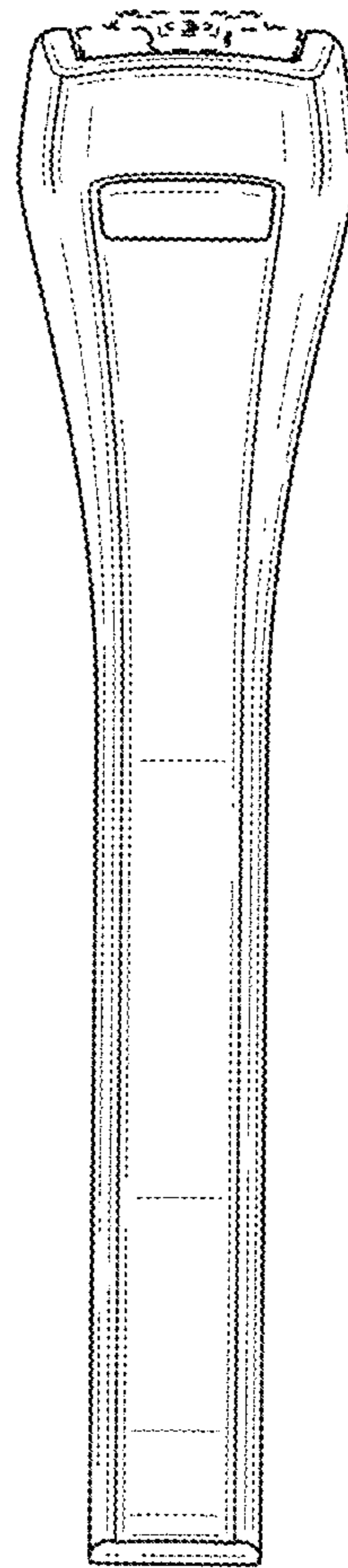


Figure 5

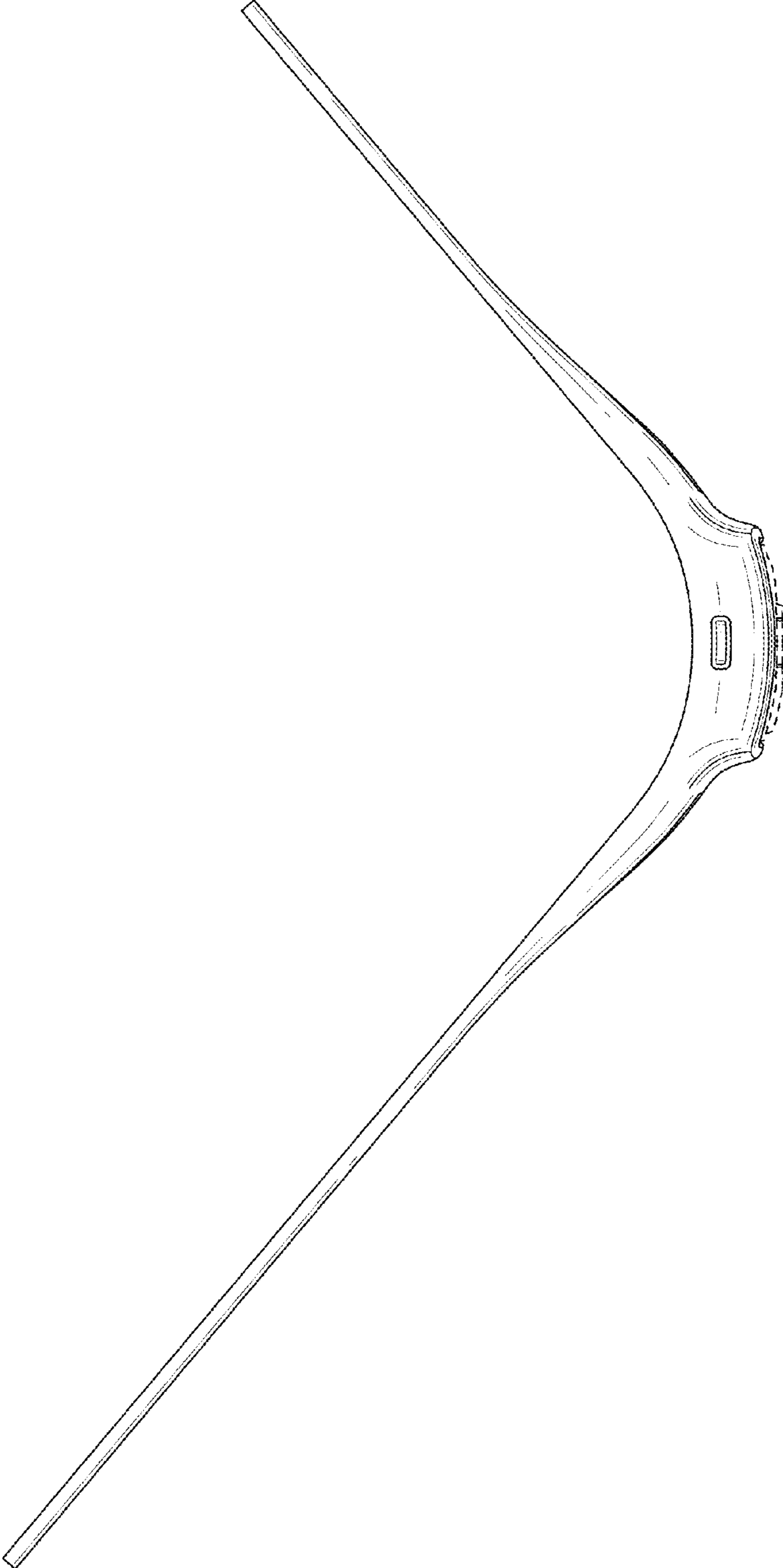


Figure 6

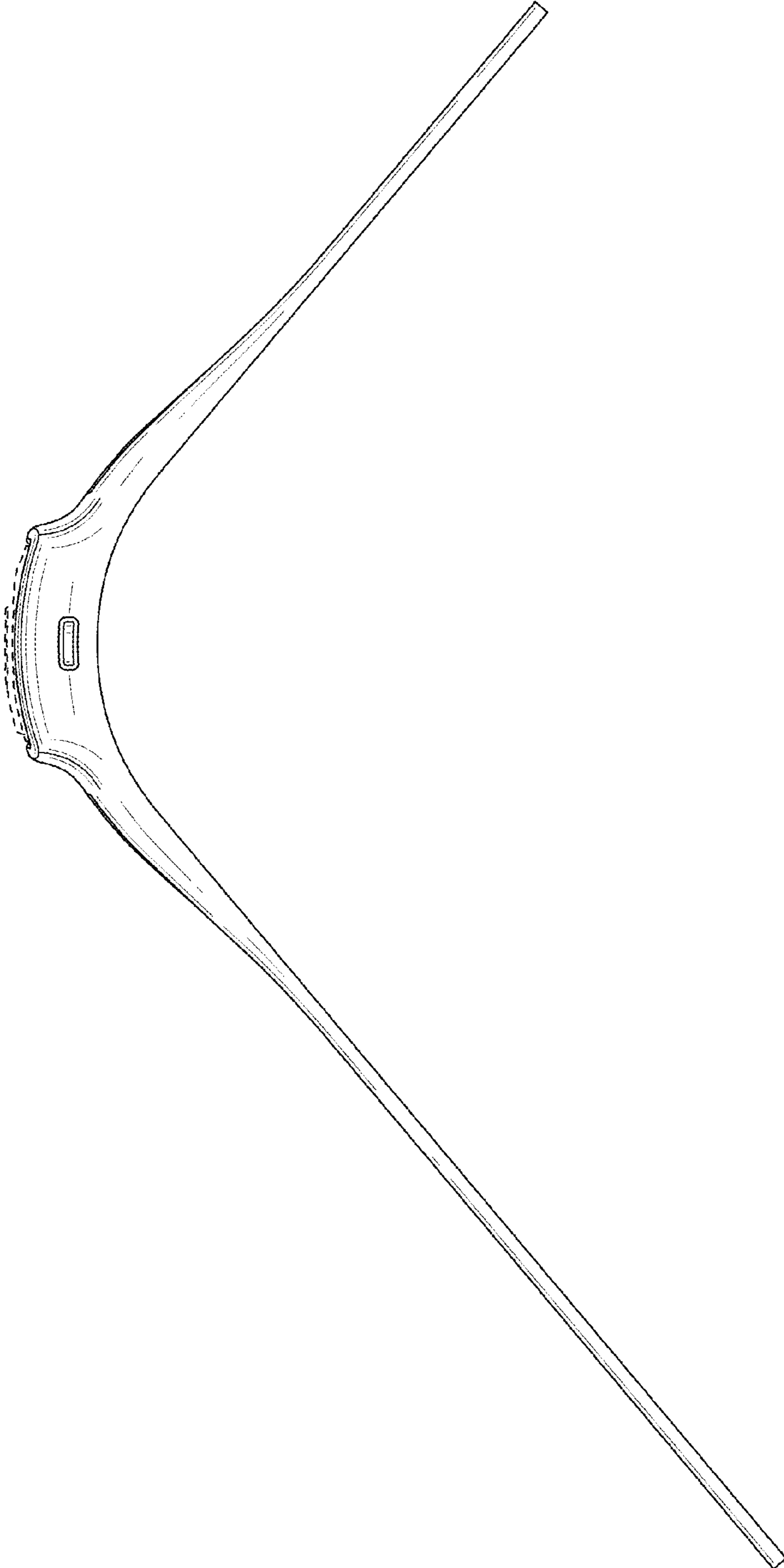


Figure 7