



US00D761498S

(12) **United States Design Patent**
Minter

(10) **Patent No.:** **US D761,498 S**
(45) **Date of Patent:** **** Jul. 12, 2016**

(54) **BAG HOLDER WITH HANDLE FOR COLLECTING DOG EXCREMENT**

(71) Applicant: **Theodore M Minter**, Cleveland, OH (US)

(72) Inventor: **Theodore M Minter**, Cleveland, OH (US)

(**) Term: **15 Years**

(21) Appl. No.: **29/505,359**

(22) Filed: **Sep. 25, 2015**

(51) **LOC (10) Cl.** **30-99**

(52) **U.S. Cl.**
USPC **D30/162**

(58) **Field of Classification Search**
USPC D30/161, 162, 151, 144, 140, 137, 106, D30/199; 119/867, 868, 161, 163, 164, 170, 119/717, 712; 294/1.3-1.5, 214; 43/7-12; 15/257.1, 257.7; 206/496; 383/33, 34, 383/34.1, 6, 12, 13, 68; 30/99; D32/74, 49; D8/14, 106, 107, 499
CPC A01K 23/00; A01K 23/005; E01H 1/1206; E01H 1/1213; E01H 1/12; E01H 2001/122; E01H 2001/1226; E01H 2001/1233; E01H 2001/128; E01H 2001/1286; E01H 2001/1293; E01H 2001/1273; E01H 2001/126
See application file for complete search history.

(56) **References Cited**

U.S. PATENT DOCUMENTS

- 569,830 A * 10/1896 Hunt A47L 13/52 15/257.9
- 1,719,400 A * 7/1929 Hampson A01B 1/06 172/372
- 1,827,126 A * 10/1931 Washburn A47J 45/06 210/471
- 2,033,408 A * 3/1936 Watterson A63B 67/22 473/508
- 2,239,391 A * 4/1941 Krause A63F 7/2436 273/129 R

- 2,539,563 A * 1/1951 Baloun A01K 77/00 43/12
- 2,595,597 A * 5/1952 Morseth A01K 77/00 16/429
- 3,017,653 A * 1/1962 Bird A47L 13/52 15/257.8
- 3,052,214 A * 9/1962 Johnson A01K 23/005 15/257.6
- 3,188,668 A * 6/1965 Buckelew E04H 4/1609 15/1.7
- 3,220,037 A * 11/1965 Ruhling E04H 4/1609 15/1.7
- 3,224,131 A * 12/1965 Parse A01K 77/00 43/12
- 3,677,596 A * 7/1972 Yonaites A47L 13/52 294/1.4
- 3,711,141 A * 1/1973 Soergel A47L 13/52 15/257.8

(Continued)

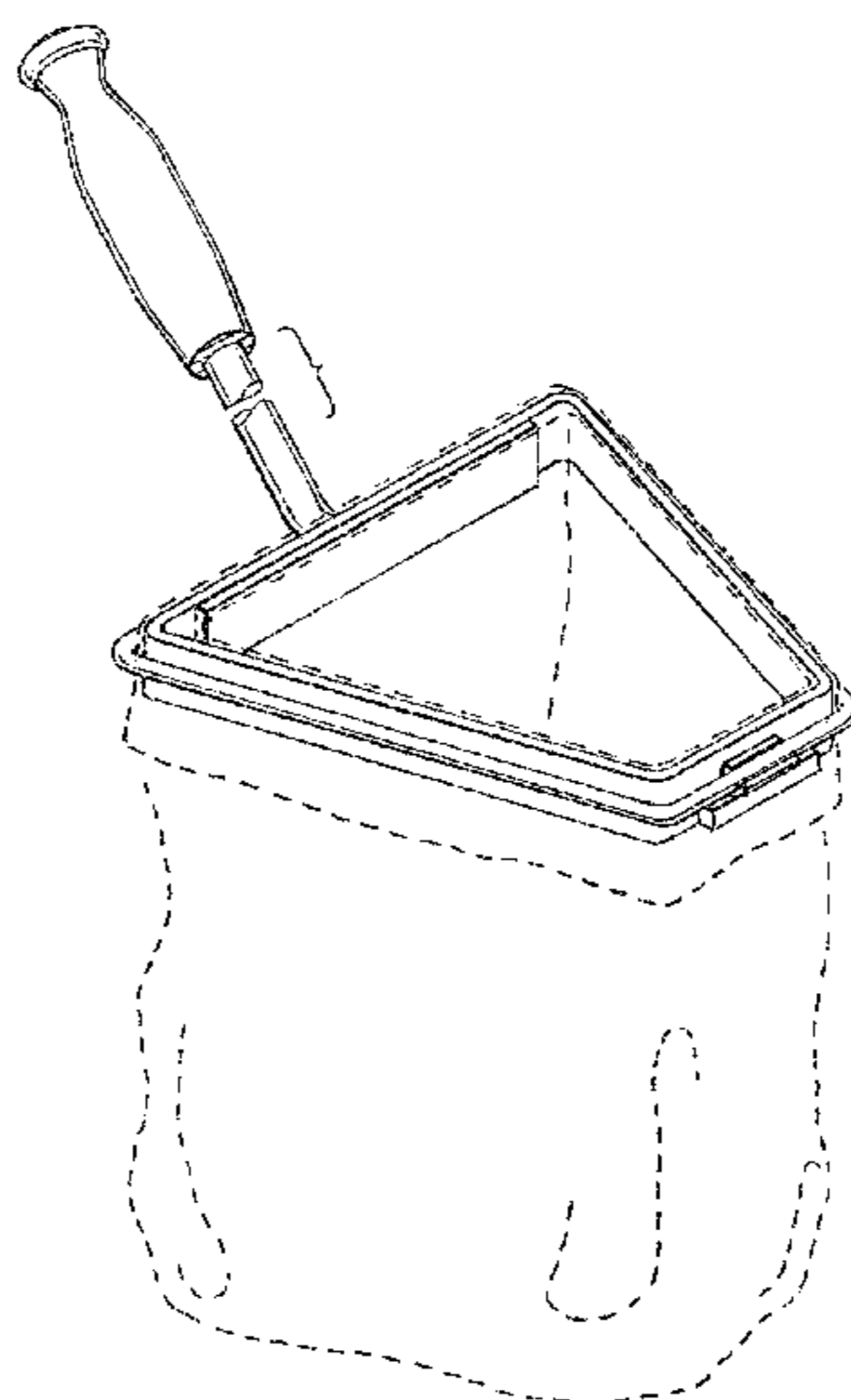
Primary Examiner — Susan Moon Lee
(74) *Attorney, Agent, or Firm* — David A. Burge

(57) **CLAIM**
I claim the ornamental design for a bag holder with handle for collecting dog excrement, as shown and described.

DESCRIPTION

FIG. 1 is a front elevational view of my new design for a bag holder with handle for collecting dog excrement;
FIG. 2 is a rear view thereof;
FIG. 3 is a top plan view thereof;
FIG. 4 is a bottom view thereof;
FIG. 5 is a left side view of the bag holder with handle for collecting dog excrement, the right side view being a mirror image thereof; and,
FIG. 6 is a perspective view thereof.
The handle of the bag holder is shown with a symbolic break in its length. The appearance of any portion of the article between the break lines forms no part of the claimed design. The broken lines in FIG. 6 depict a typical thin plastic bag attached to the bag holder that forms no part of the claimed design.

1 Claim, 5 Drawing Sheets



(56)

References Cited

U.S. PATENT DOCUMENTS

2003/0085581 A1* 5/2003 Jemison E01H 1/1206
294/1.4
2004/0174026 A1* 9/2004 Sampaio E01H 1/1206
294/1.4
2006/0005452 A1* 1/2006 McIntyre A01K 77/00
43/11
2006/0145492 A1* 7/2006 Kaas A01K 23/005
294/1.5
2006/0152023 A1* 7/2006 Owens B65B 67/1238
294/214
2006/0181091 A1* 8/2006 Zelon A01K 23/005
294/1.5
2006/0214442 A1* 9/2006 Jones A01K 23/005
294/1.4
2007/0046045 A1* 3/2007 Yilmaz A01K 23/005
294/1.4
2007/0085357 A1* 4/2007 Vafaei A01K 23/005
294/1.4
2008/0096699 A1* 4/2008 Yearick A63B 59/20
473/505
2009/0152884 A1* 6/2009 Ruscil B65G 7/12
294/1.5

2009/0293337 A1* 12/2009 Arita A01K 77/00
43/8
2010/0200709 A1* 8/2010 Wilkinson B65B 67/1238
248/99
2010/0237203 A1* 9/2010 Romero B65B 67/12
248/99
2010/0314893 A1* 12/2010 Pearson A63B 47/02
294/19.2
2011/0037280 A1* 2/2011 Romero E01H 1/1206
294/1.4
2013/0062895 A1* 3/2013 Groth A01K 29/00
294/1.3
2013/0082470 A1* 4/2013 Seiko A01K 23/005
294/1.5
2013/0343677 A1* 12/2013 Faraone A47L 13/52
383/33
2014/0062109 A1* 3/2014 Olivera E01H 1/1206
294/1.5
2014/0152030 A1* 6/2014 Van Halder E01H 1/1206
294/1.3
2016/0047096 A1* 2/2016 Held E01H 1/1206
294/1.4
2016/0050885 A1* 2/2016 Brasuel A01K 23/005
294/1.5

* cited by examiner

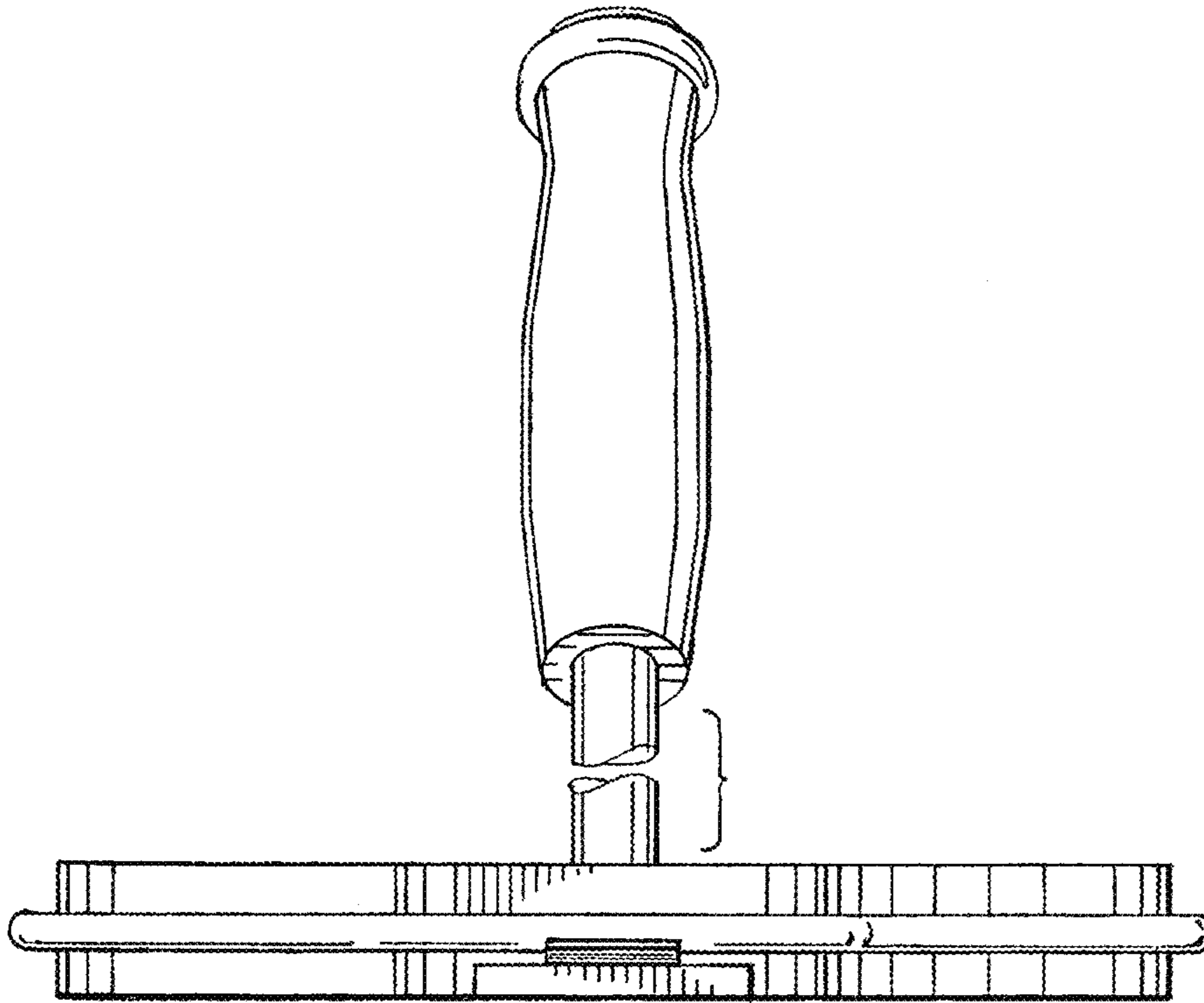


FIG. 1

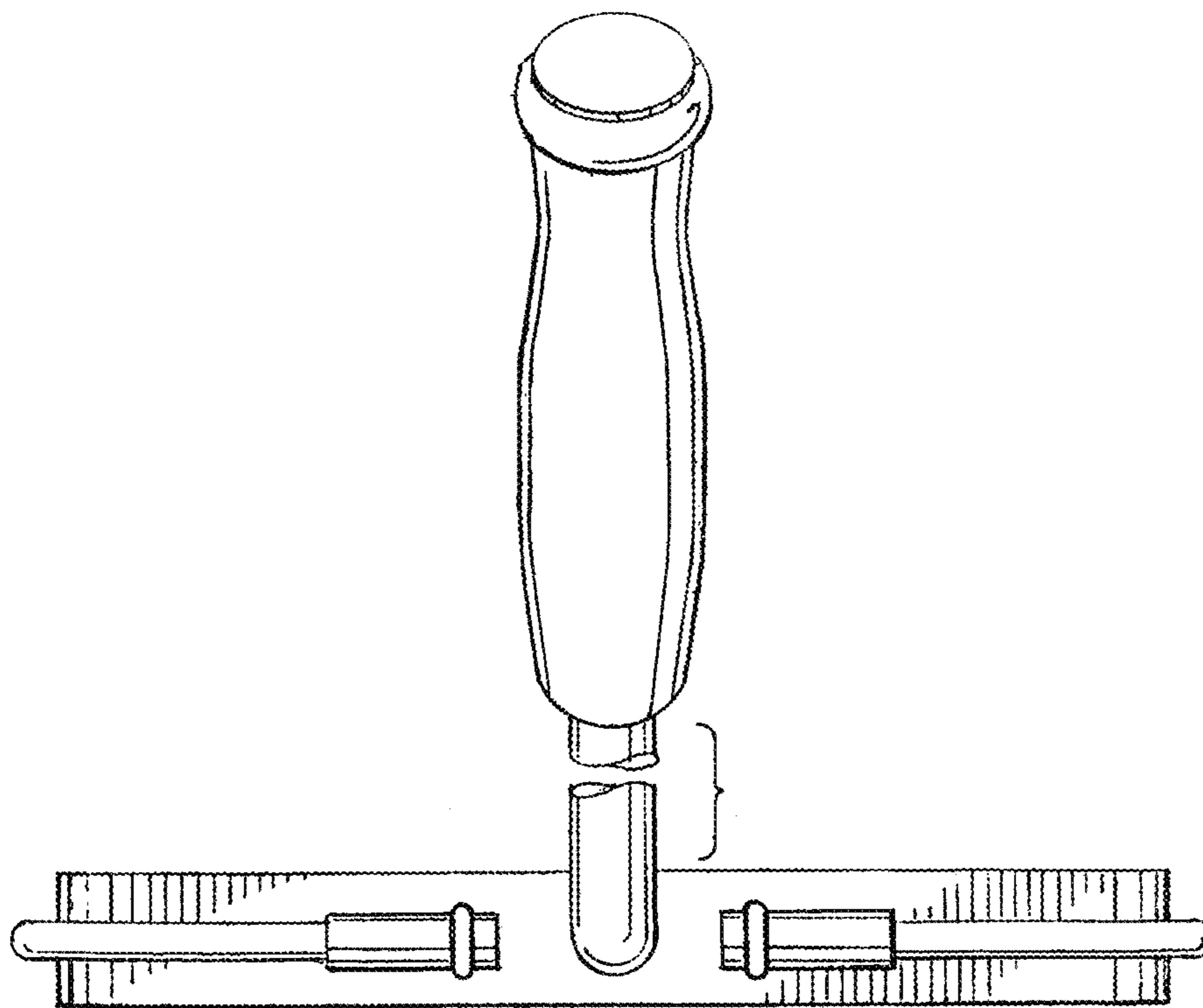


FIG. 2

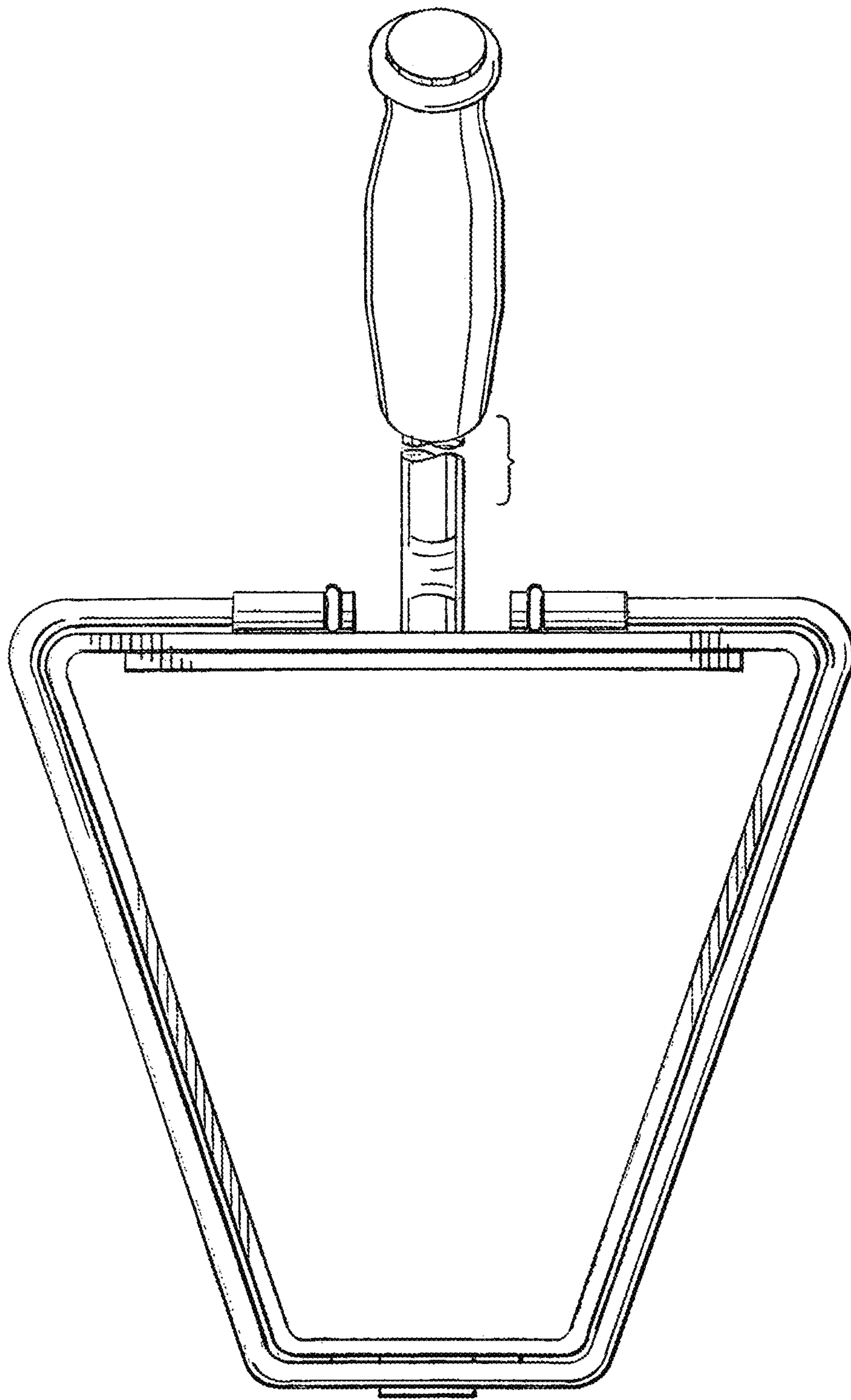


FIG. 3

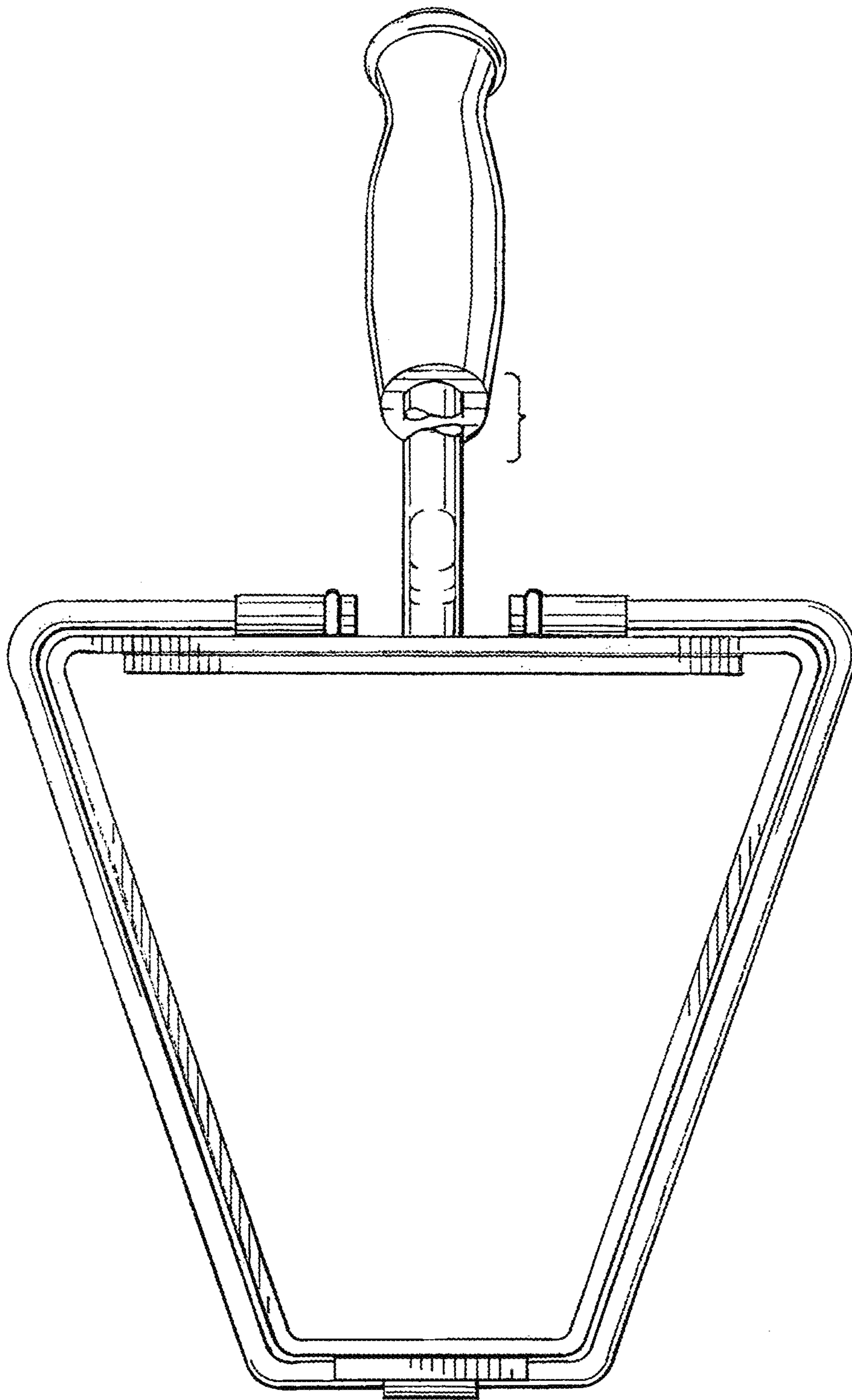


FIG. 4

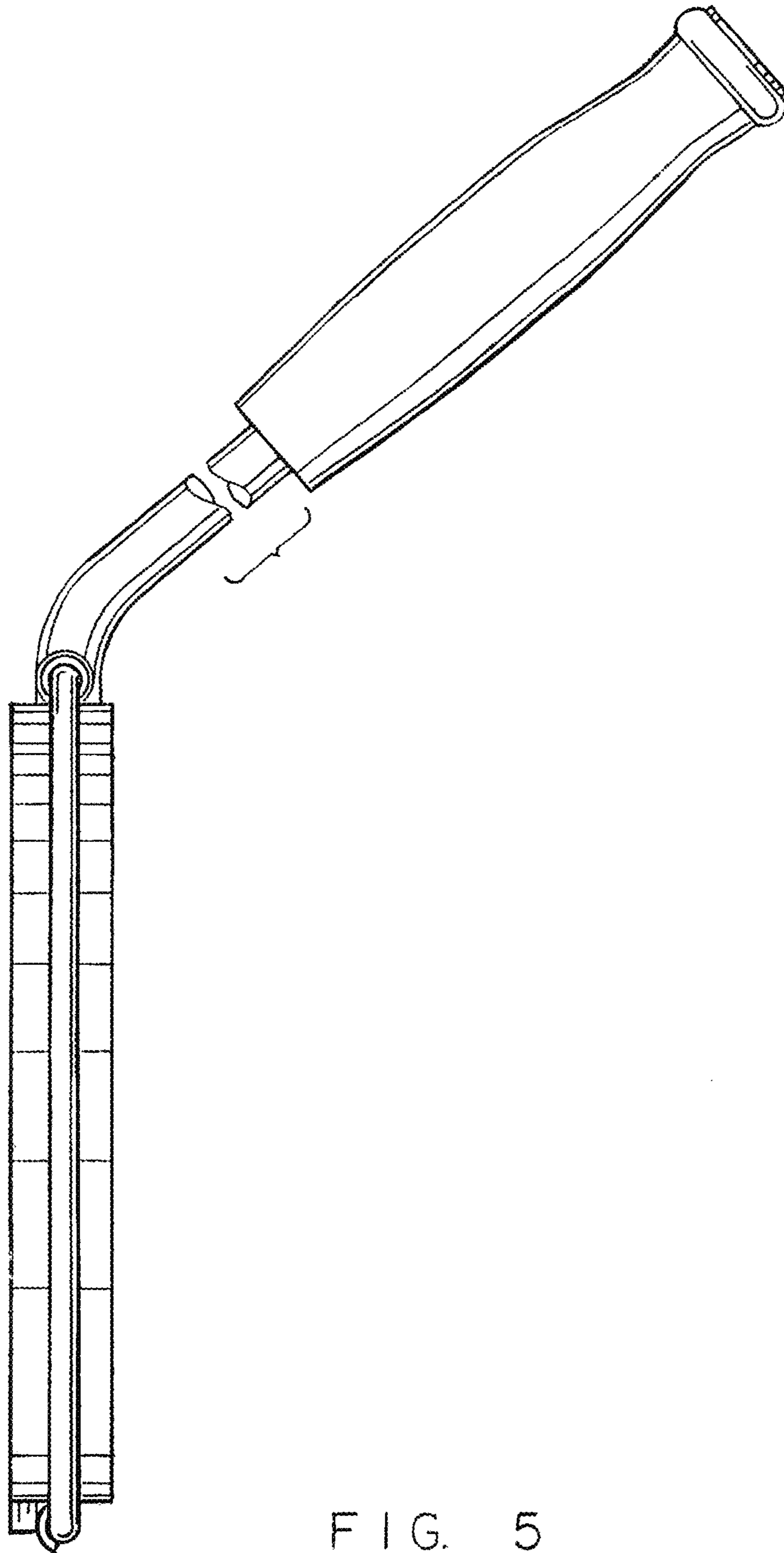


FIG. 5

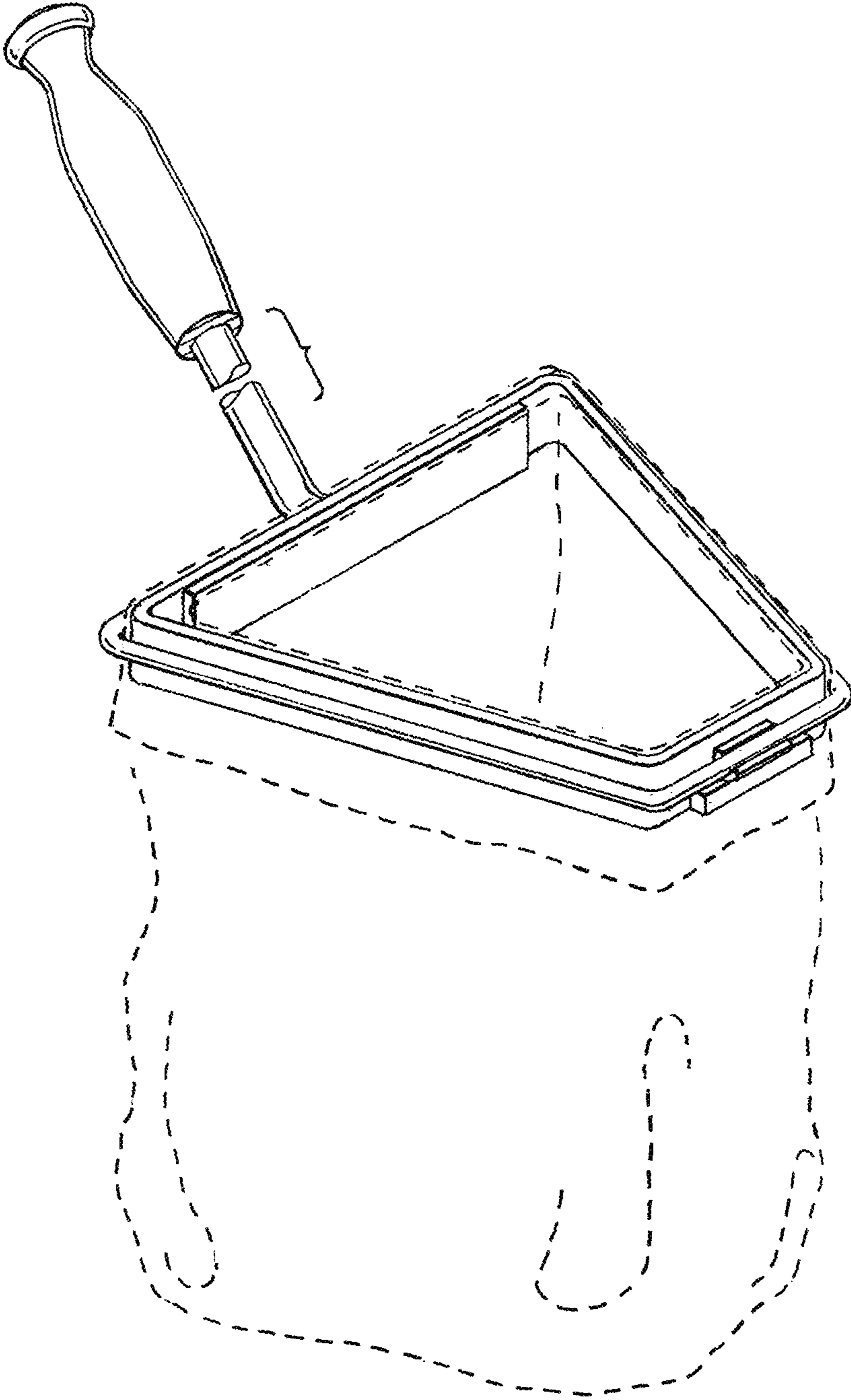


FIG. 6