



US00D761494S

(12) **United States Design Patent**  
**Gibbs**

(10) **Patent No.:** **US D761,494 S**  
(45) **Date of Patent:** **\*\* Jul. 12, 2016**

(54) **COMBINED PET FOOD BOWL AND WATER BOWL WITH ELEVATED BASE**

(71) Applicant: **Andy H. Gibbs**, Palm Springs, CA (US)

(72) Inventor: **Andy H. Gibbs**, Palm Springs, CA (US)

(\*\*) Term: **15 Years**

(21) Appl. No.: **29/534,982**

(22) Filed: **Aug. 3, 2015**

(51) **LOC (10) Cl.** ..... **30-03**

(52) **U.S. Cl.**

USPC ..... **D30/130**; D30/133; D30/132; D30/121

(58) **Field of Classification Search**

USPC ..... D30/133, 121, 128, 130, 132, 129, 131;

119/52.1, 55, 61.5, 61.6, 61.57, 61.56;

D6/480-485; 248/188; 312/204;

108/153.1-157

CPC ..... A01K 5/00; A01K 5/01; A01K 5/0107;

A01K 5/0114; A01K 5/0121; A01K 5/0128;

A01K 5/0135; A01K 7/005

See application file for complete search history.

(56) **References Cited**

**U.S. PATENT DOCUMENTS**

D192,412 S \* 3/1962 Forsman ..... D23/290

3,205,861 A \* 9/1965 Moore ..... A01K 5/008

119/61.3

D221,217 S \* 7/1971 Beychok ..... 206/558

D232,564 S \* 8/1974 Kissen ..... D30/129

3,939,986 A \* 2/1976 Pierro ..... B60N 3/103

108/44

D279,845 S \* 7/1985 Holliman ..... 273/148 B

D319,358 S \* 8/1991 Giugiaro ..... D6/406.1

D385,126 S \* 10/1997 Howland ..... D6/406.6

D410,780 S \* 6/1999 McGinty ..... D30/119

D428,729 S \* 8/2000 Weitzman ..... D6/406.5

D467,687 S \* 12/2002 Tangolics ..... D30/129

D558,931 S \* 1/2008 Hood ..... D30/130

D563,606 S \* 3/2008 Hood ..... D30/129

D607,616 S \* 1/2010 Newsome ..... D30/129

(Continued)

*Primary Examiner* — Susan Moon Lee

(74) *Attorney, Agent, or Firm* — Neustel Law Offices;  
Michael S. Neustel

(57) **CLAIM**

The ornamental design for a combined pet food bowl and water bowl with elevated base, as shown and described.

**DESCRIPTION**

FIG. 1 is a perspective view of a combined pet food bowl and water bowl with elevated base showing my new design;

FIG. 2 is a front view thereof;

FIG. 3 is a rear view thereof;

FIG. 4 is a right view thereof;

FIG. 5 is a left view thereof;

FIG. 6 is a top view thereof;

FIG. 7 is a bottom view thereof;

FIG. 8 is a perspective view of the second embodiment of a combined pet food bowl and water bowl with elevated base showing my new design;

FIG. 9 is a front view of the second embodiment;

FIG. 10 is a rear view of the second embodiment;

FIG. 11 is a right view of the second embodiment;

FIG. 12 is a left view of the second embodiment;

FIG. 13 is a top view of the second embodiment;

FIG. 14 is a bottom view of the second embodiment;

FIG. 15 is a perspective view of the third embodiment of a combined pet food bowl and water bowl with elevated base showing my new design;

FIG. 16 is a front view of the third embodiment;

FIG. 17 is a rear view of the third embodiment;

FIG. 18 is a right view of the third embodiment;

FIG. 19 is a left view of the third embodiment;

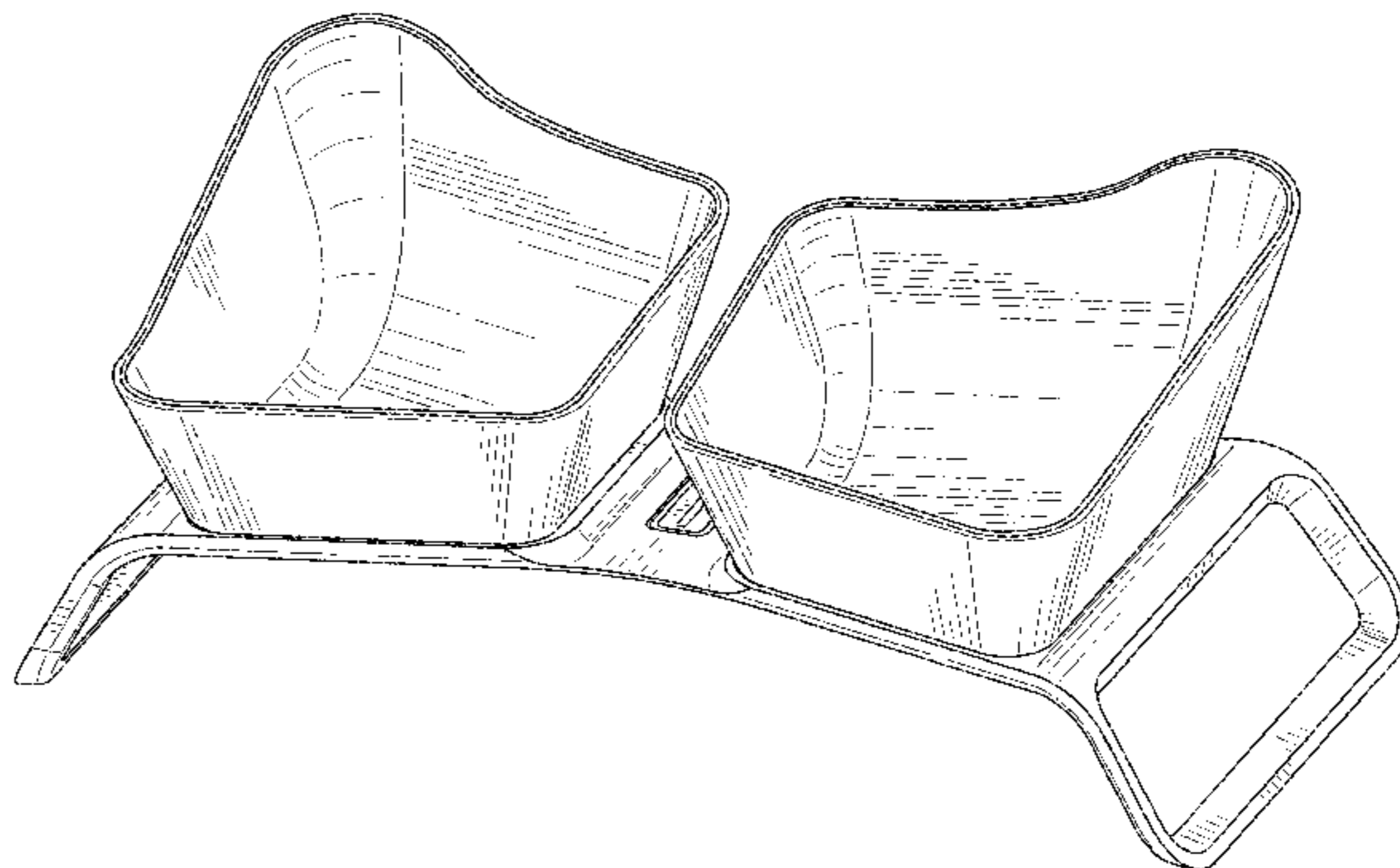
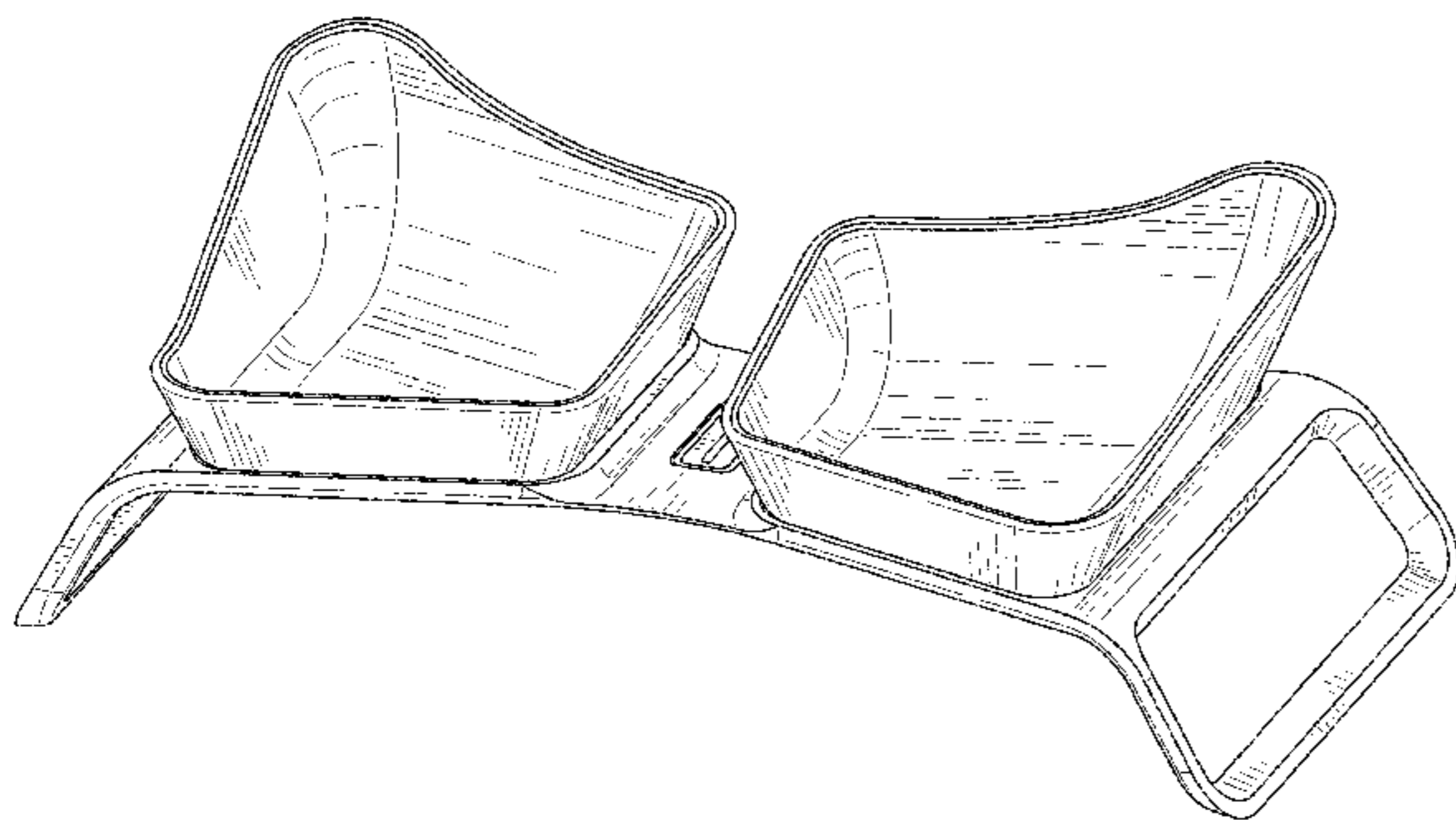
FIG. 20 is a top view of the third embodiment;

FIG. 21 is a bottom view of the third embodiment;

FIG. 22 is a cross sectional view taken along line 22-22 of FIG. 20; and,

FIG. 23 is an exploded perspective view of the third embodiment.

**1 Claim, 20 Drawing Sheets**



# US D761,494 S

Page 2

---

(56)

## References Cited

### U.S. PATENT DOCUMENTS

D646,440 S \* 10/2011 Chance ..... D30/130  
D646,852 S \* 10/2011 Chance ..... D30/129

D647,667 S \* 10/2011 Siklosi ..... D30/130  
D678,632 S \* 3/2013 Chance ..... D30/161  
D700,750 S \* 3/2014 Maguire ..... D30/129  
D723,830 S \* 3/2015 Tcholakov ..... D6/406.6

\* cited by examiner

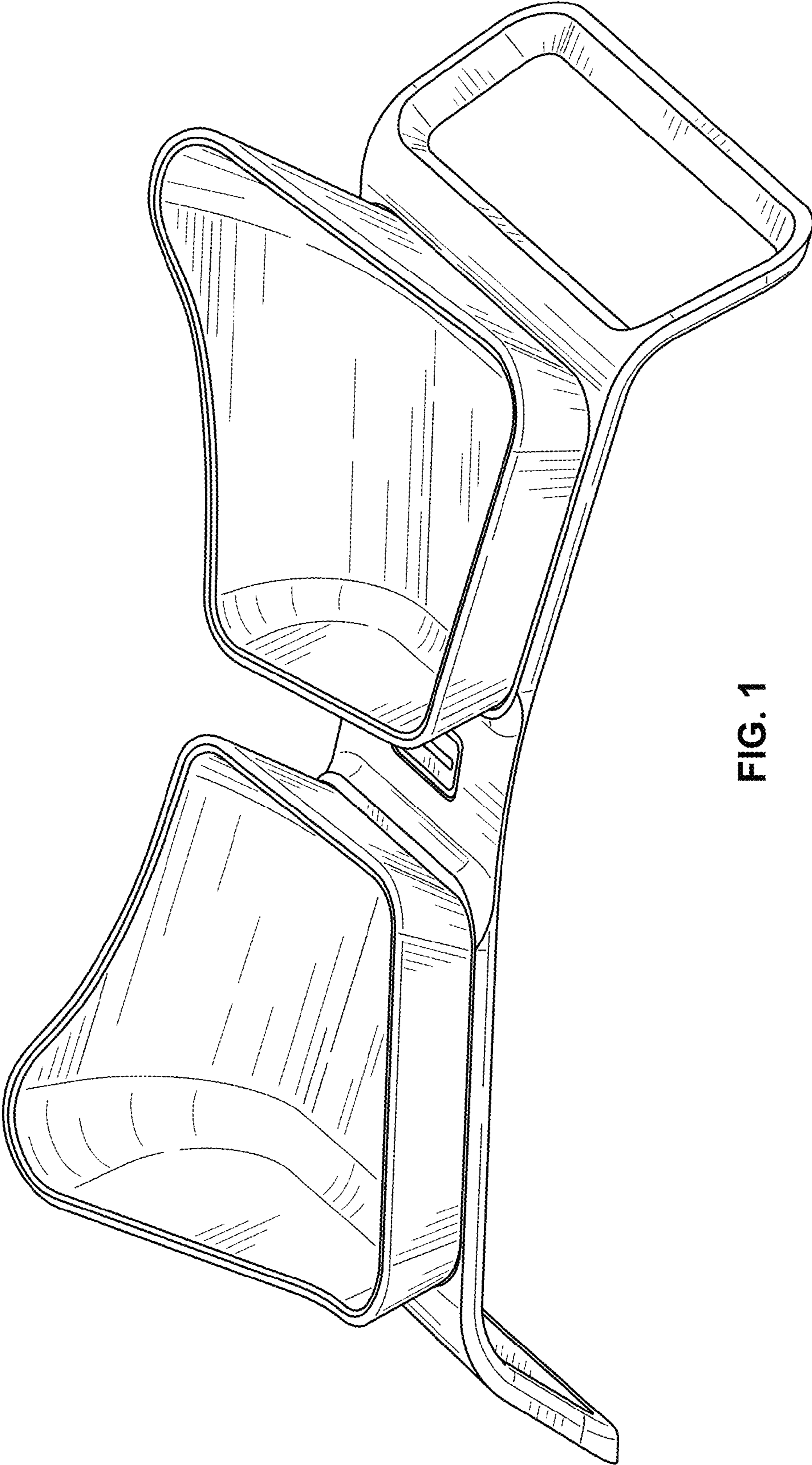


FIG. 1

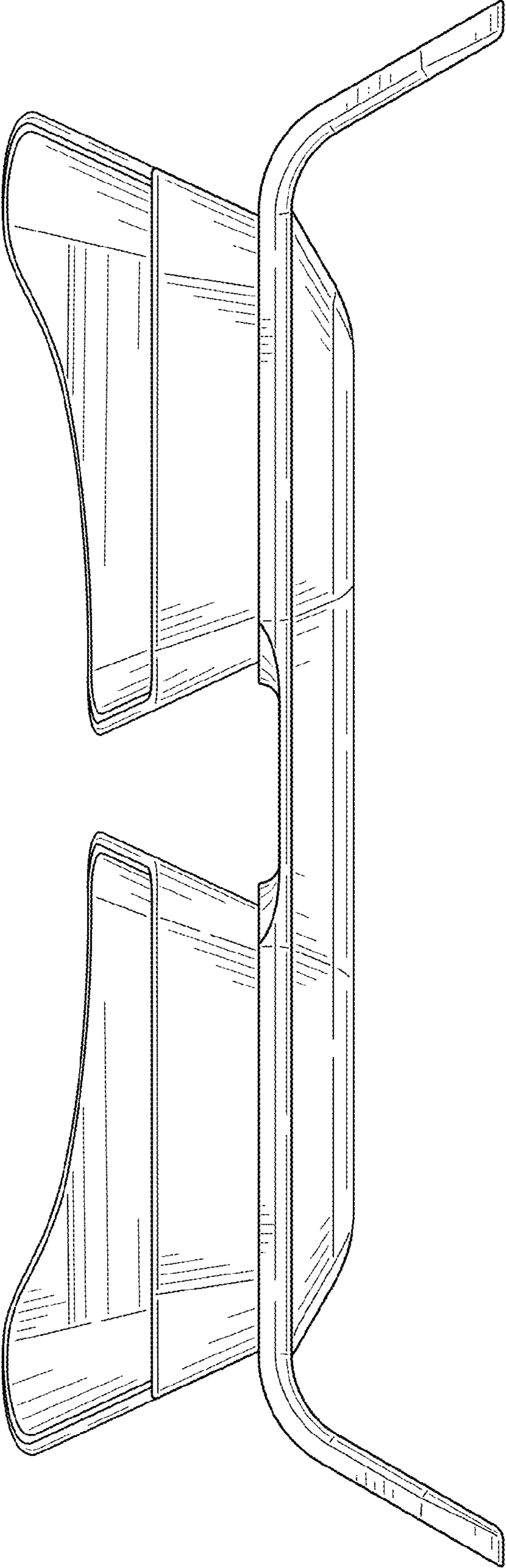


FIG. 2

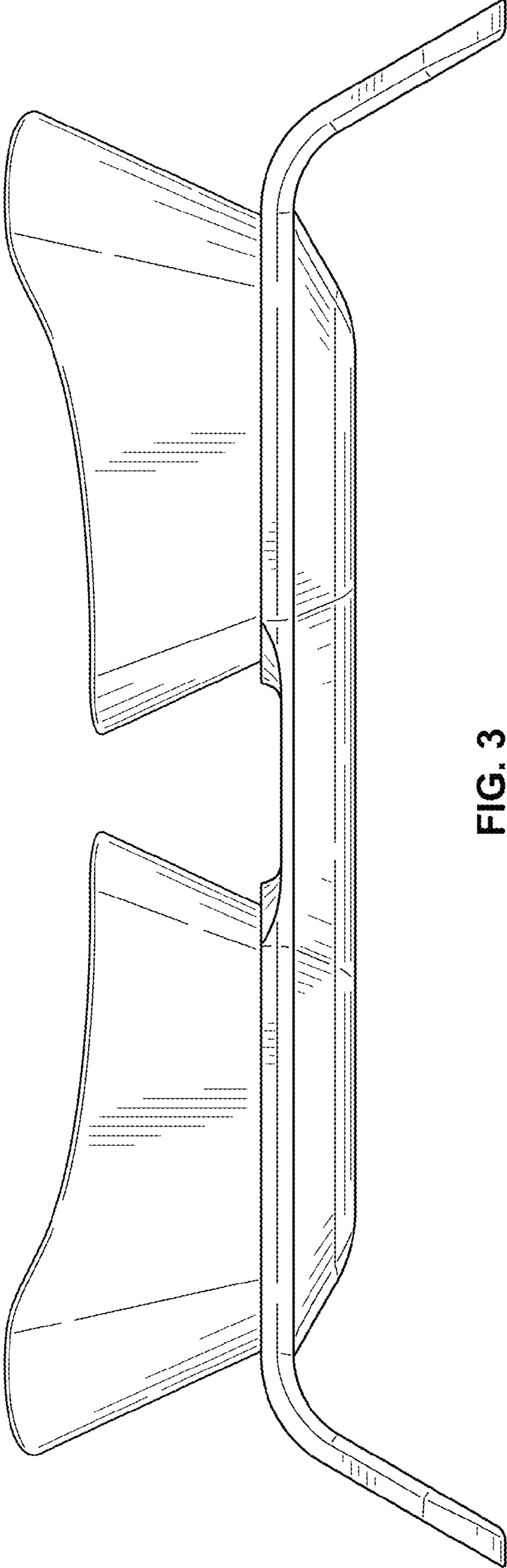


FIG. 3

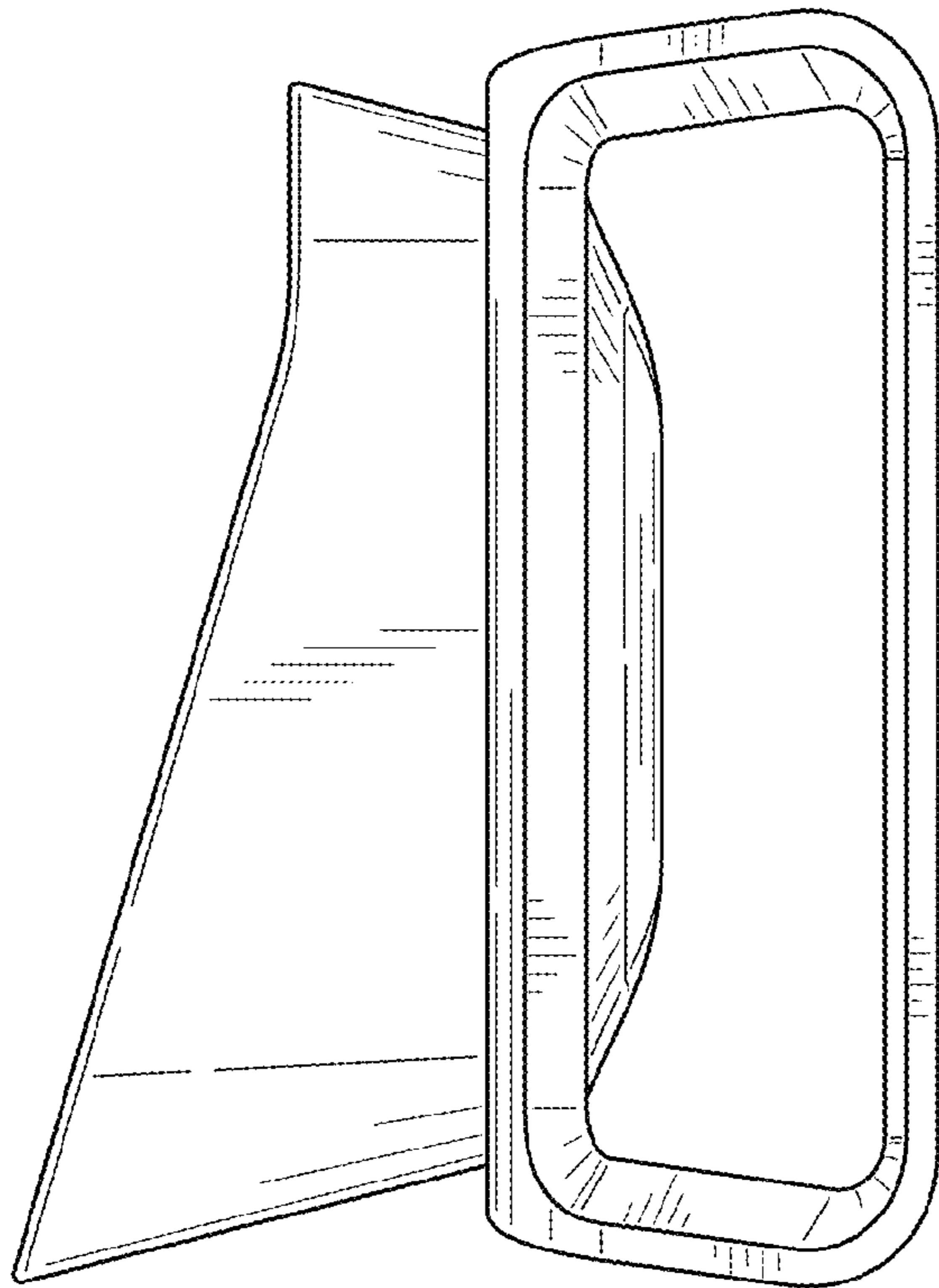


FIG. 5

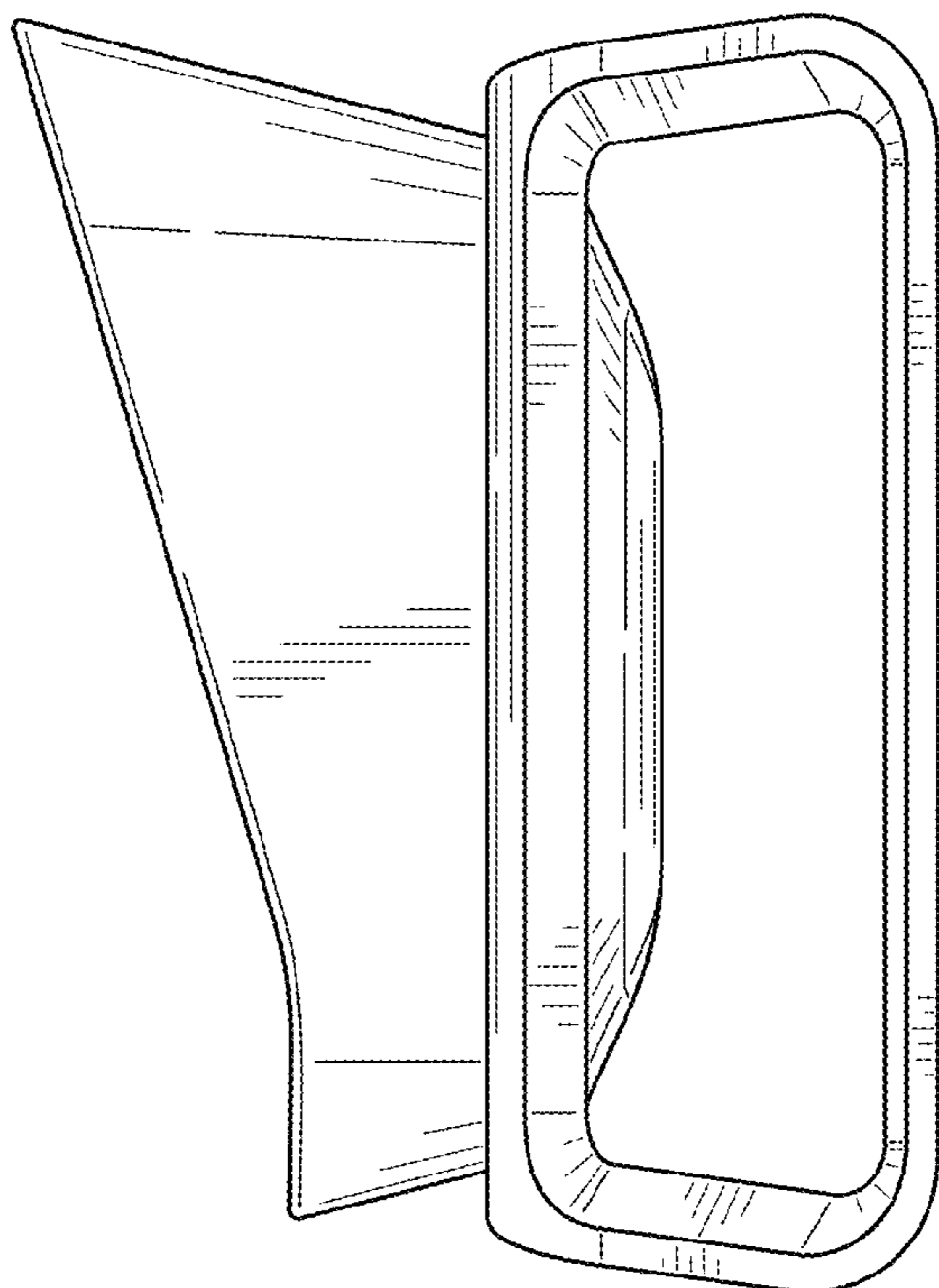


FIG. 4

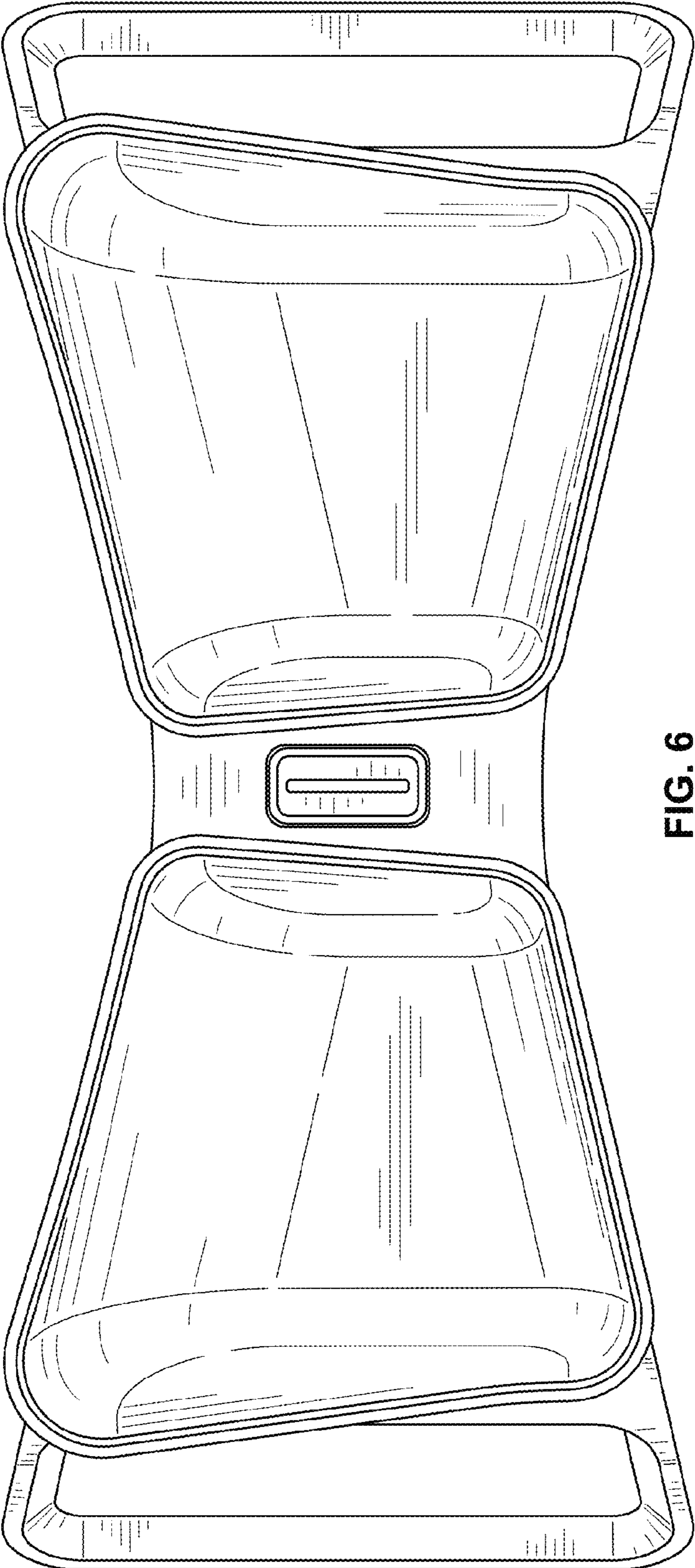


FIG. 6

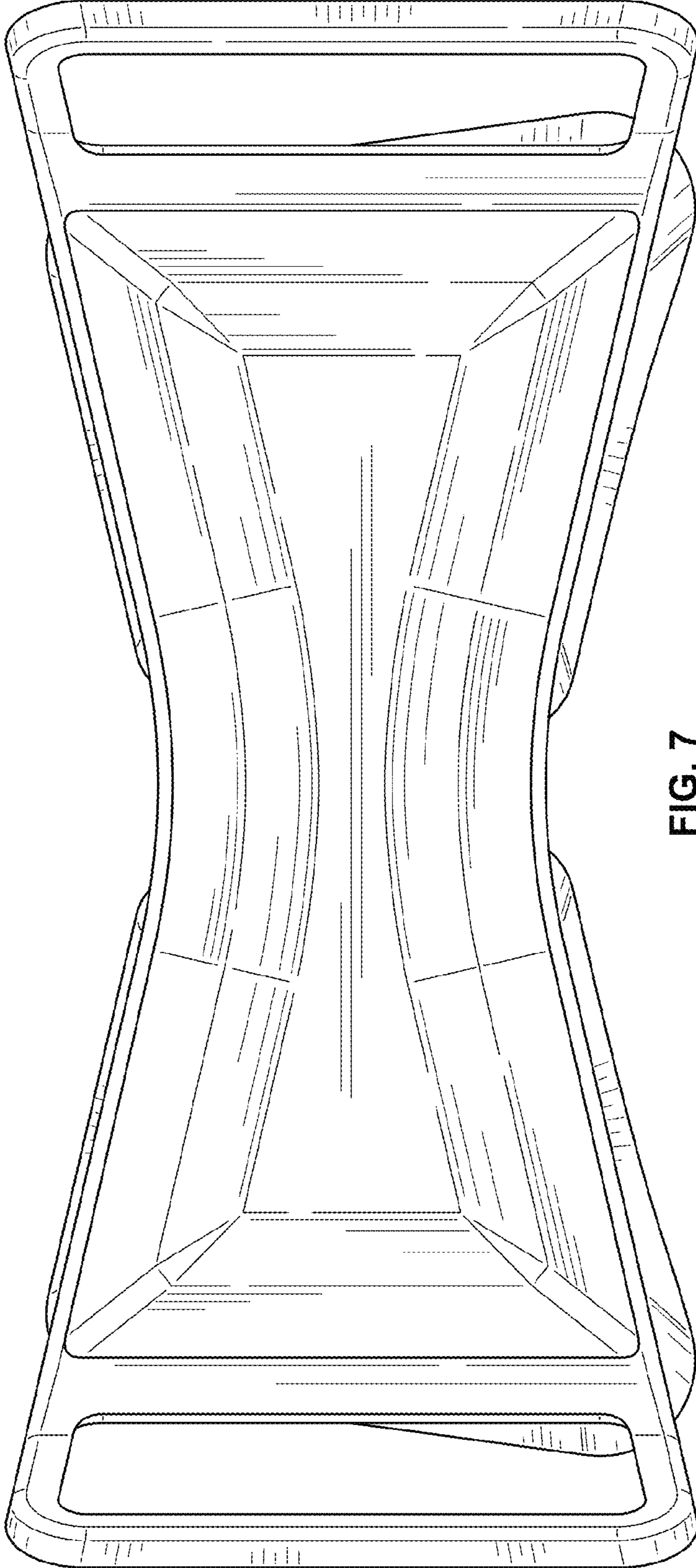


FIG. 7



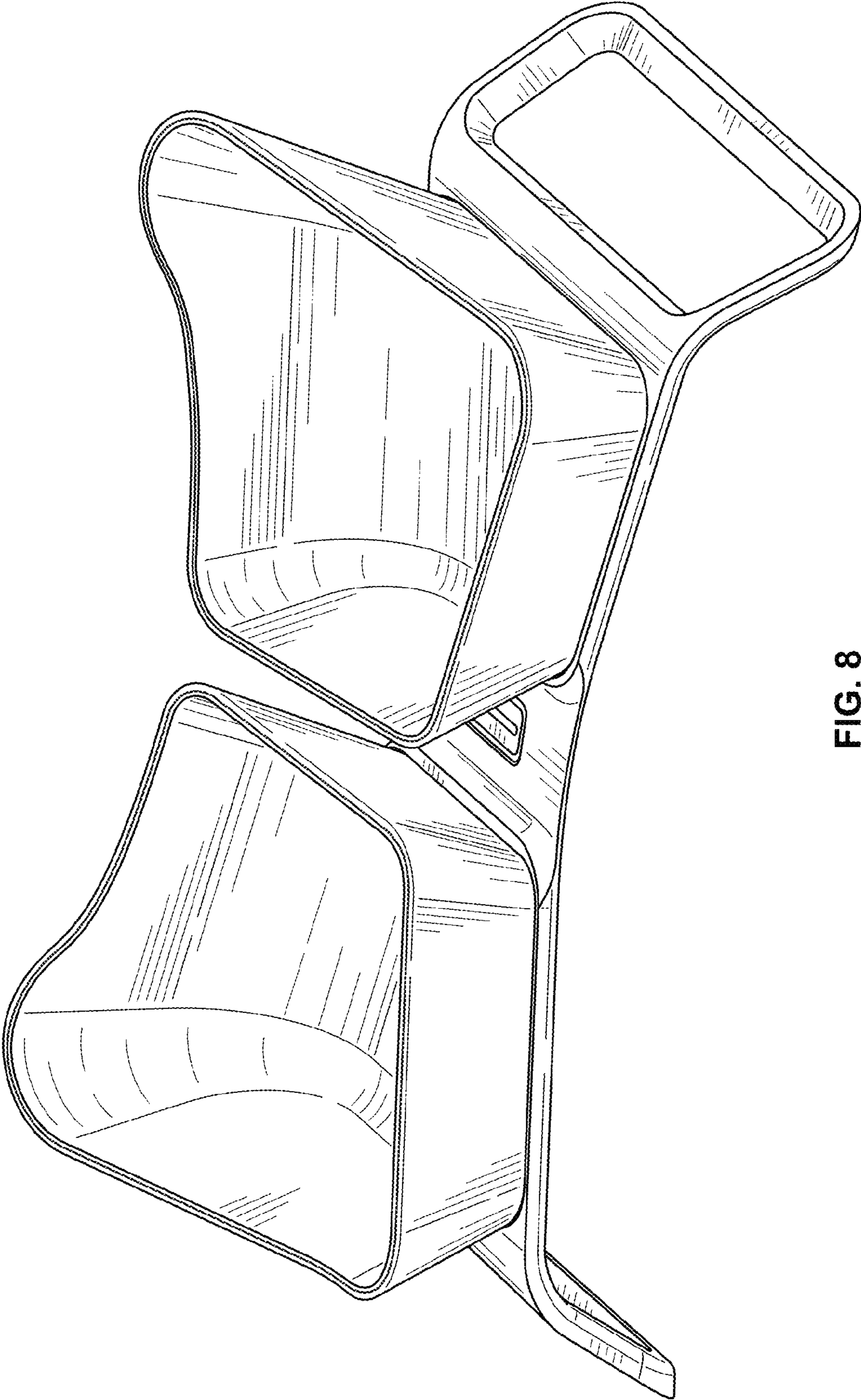


FIG. 8

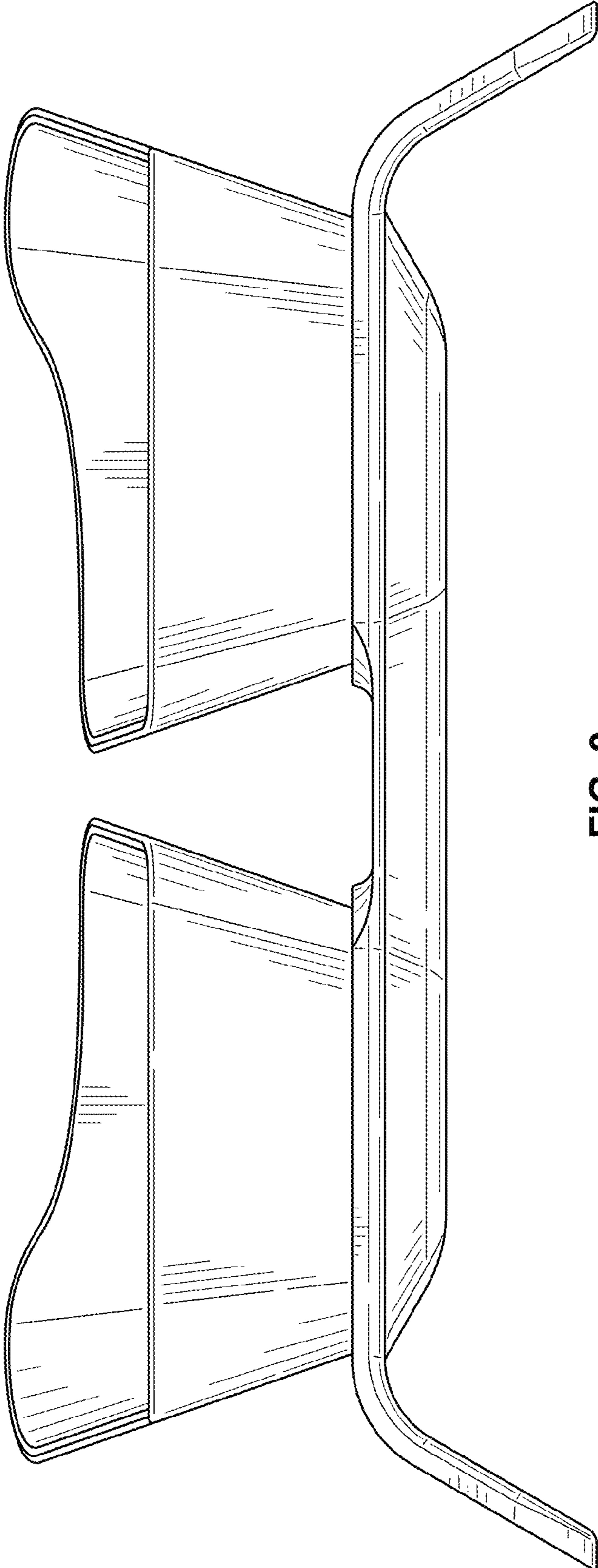


FIG. 9

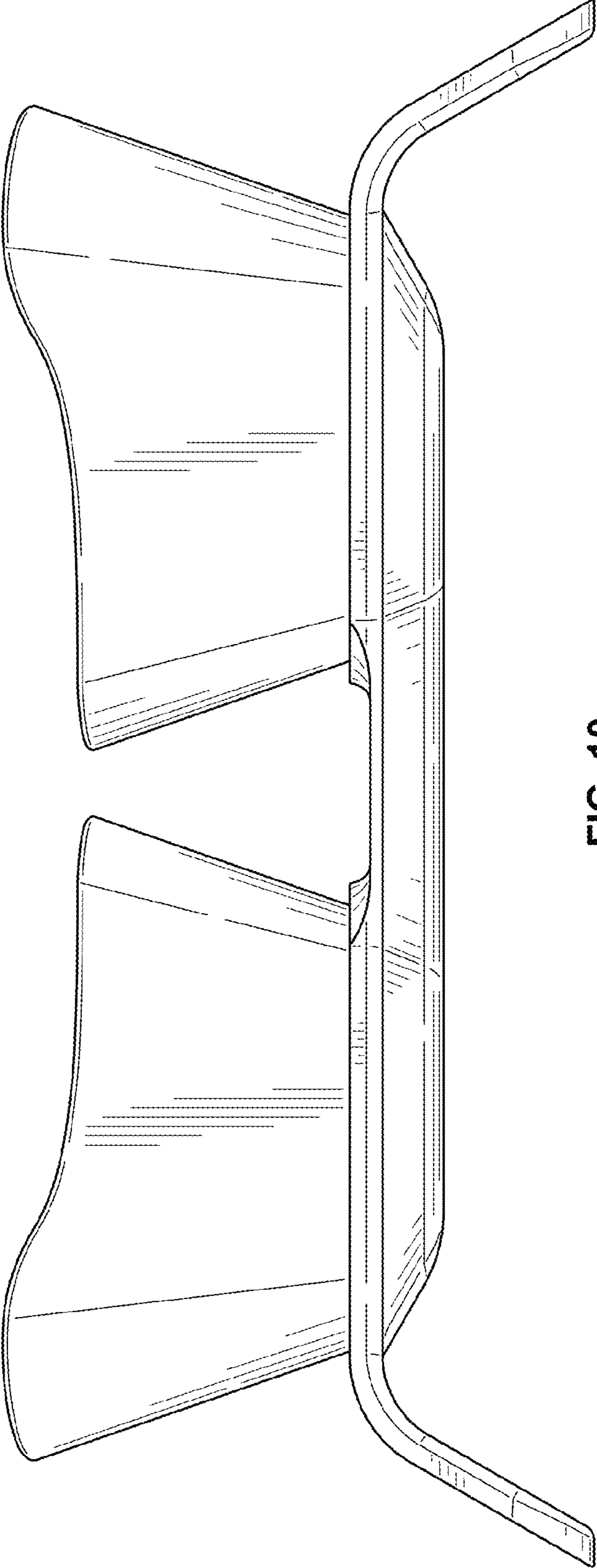


FIG. 10

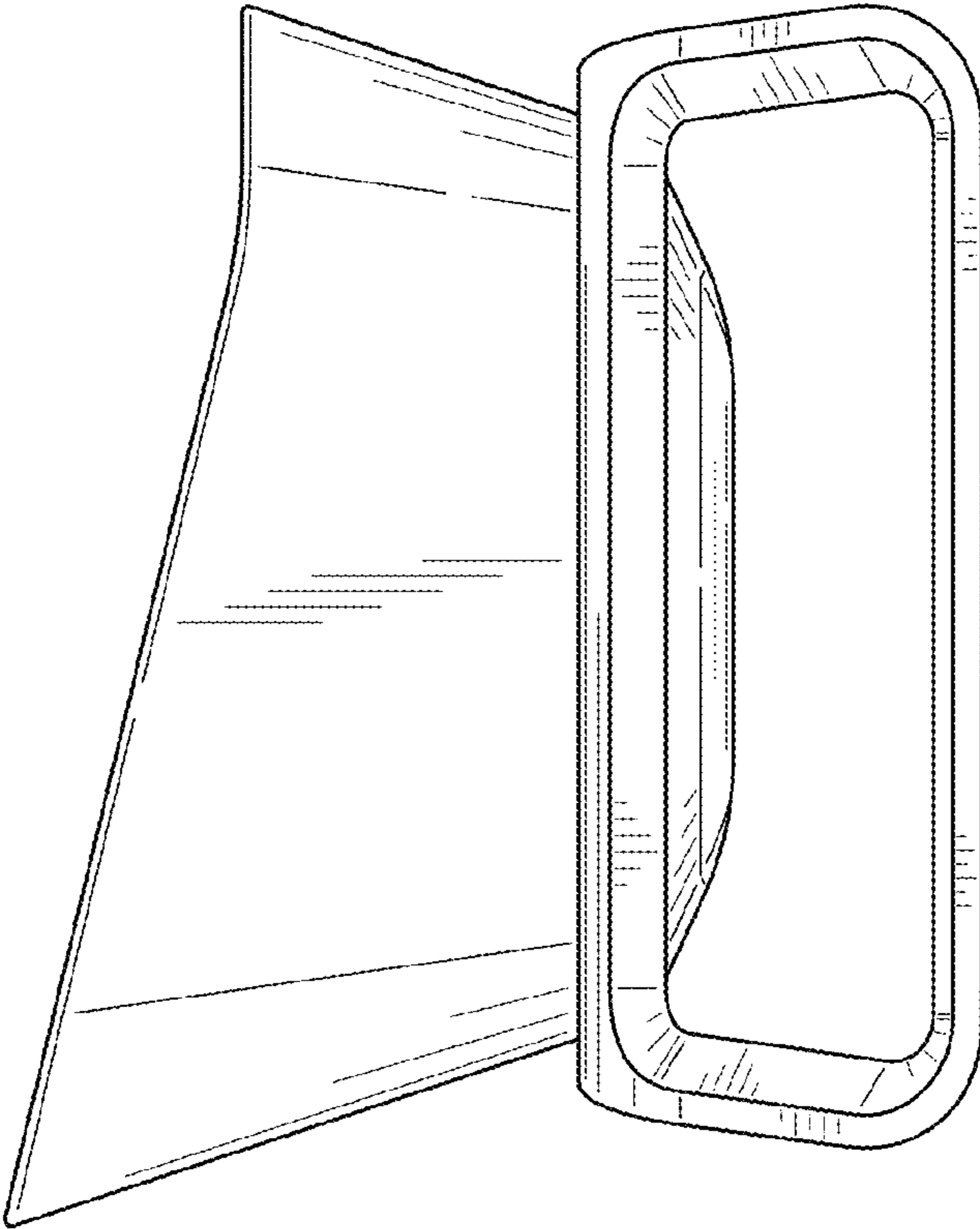


FIG. 11

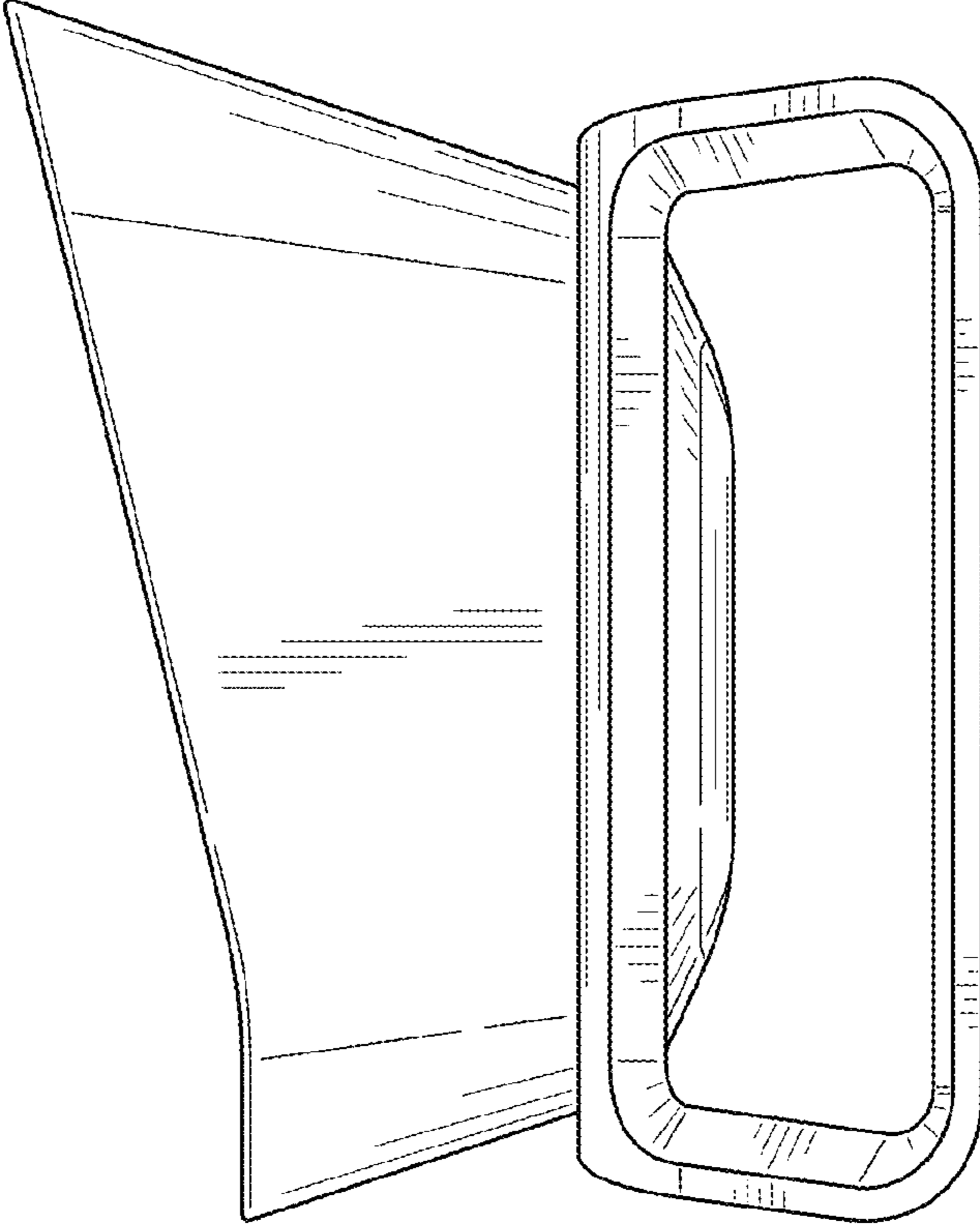


FIG. 12

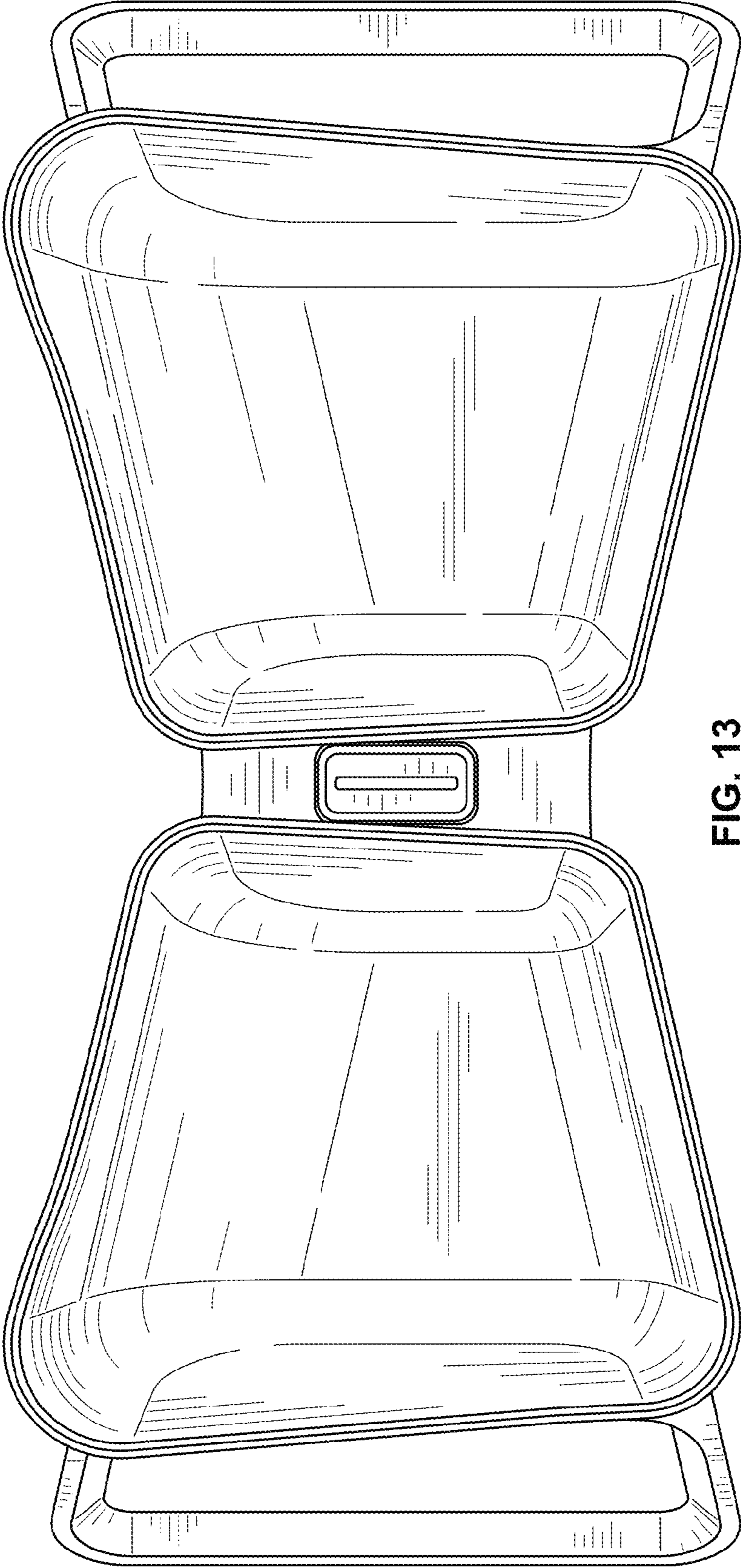


FIG. 13

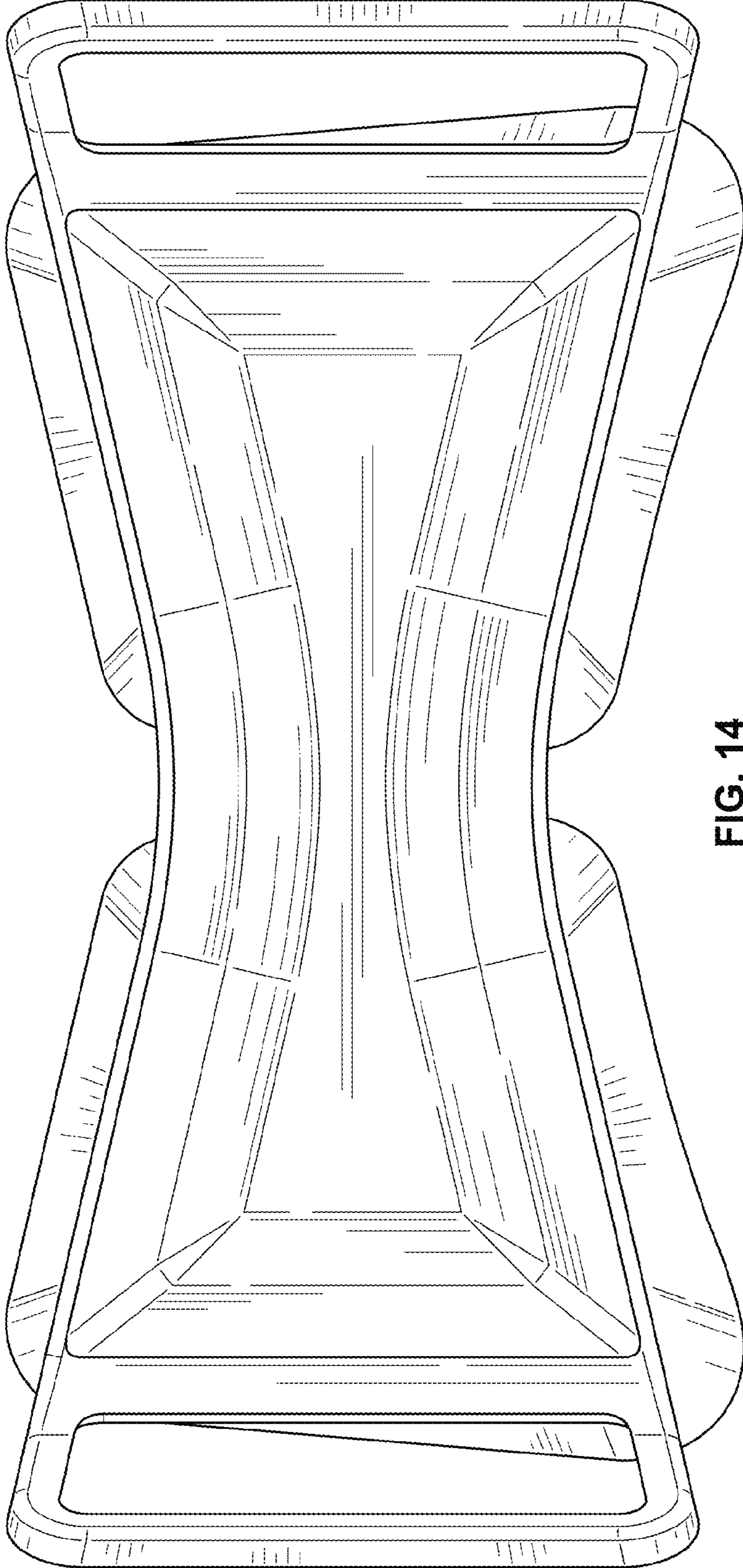


FIG. 14

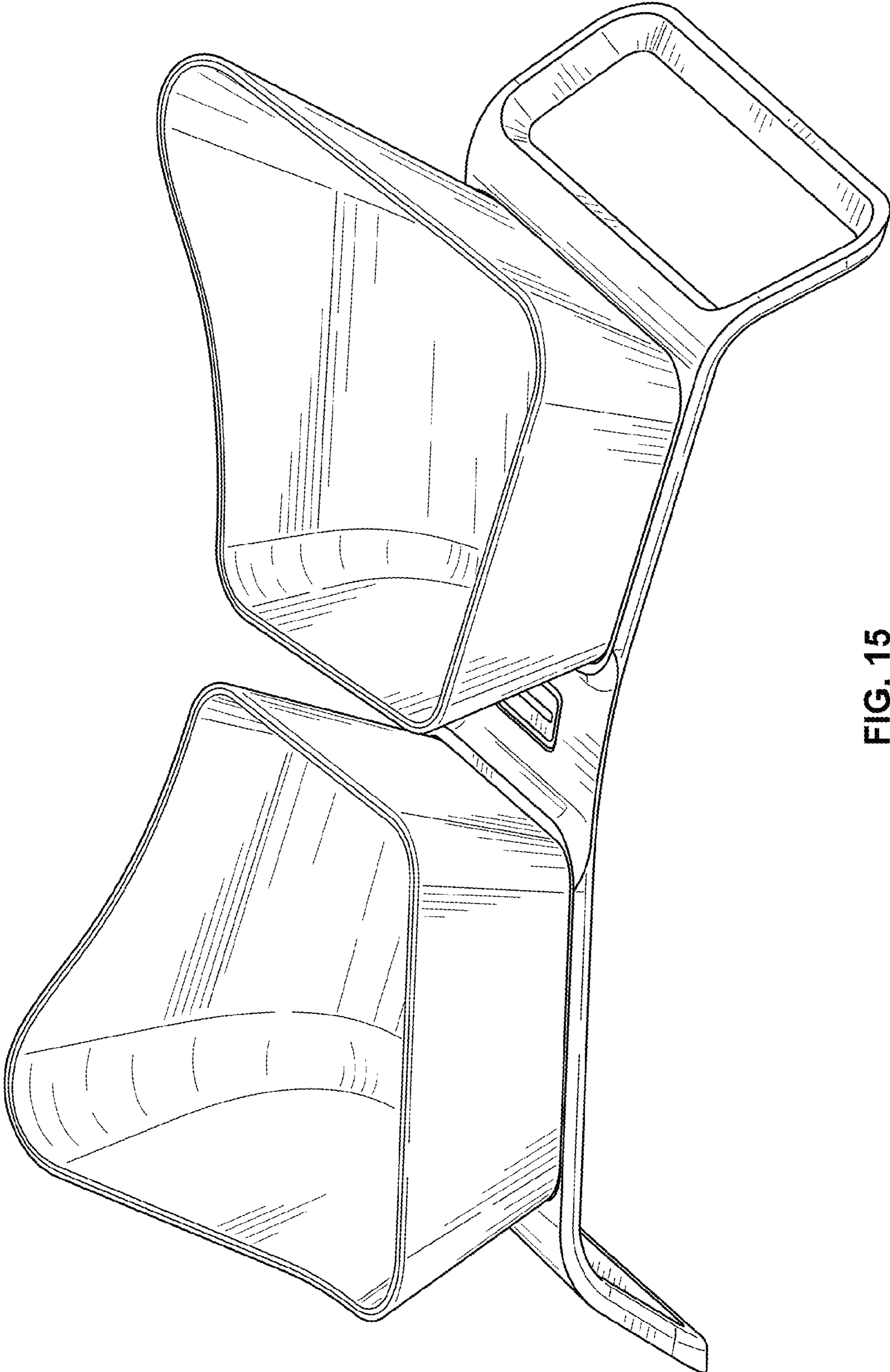


FIG. 15

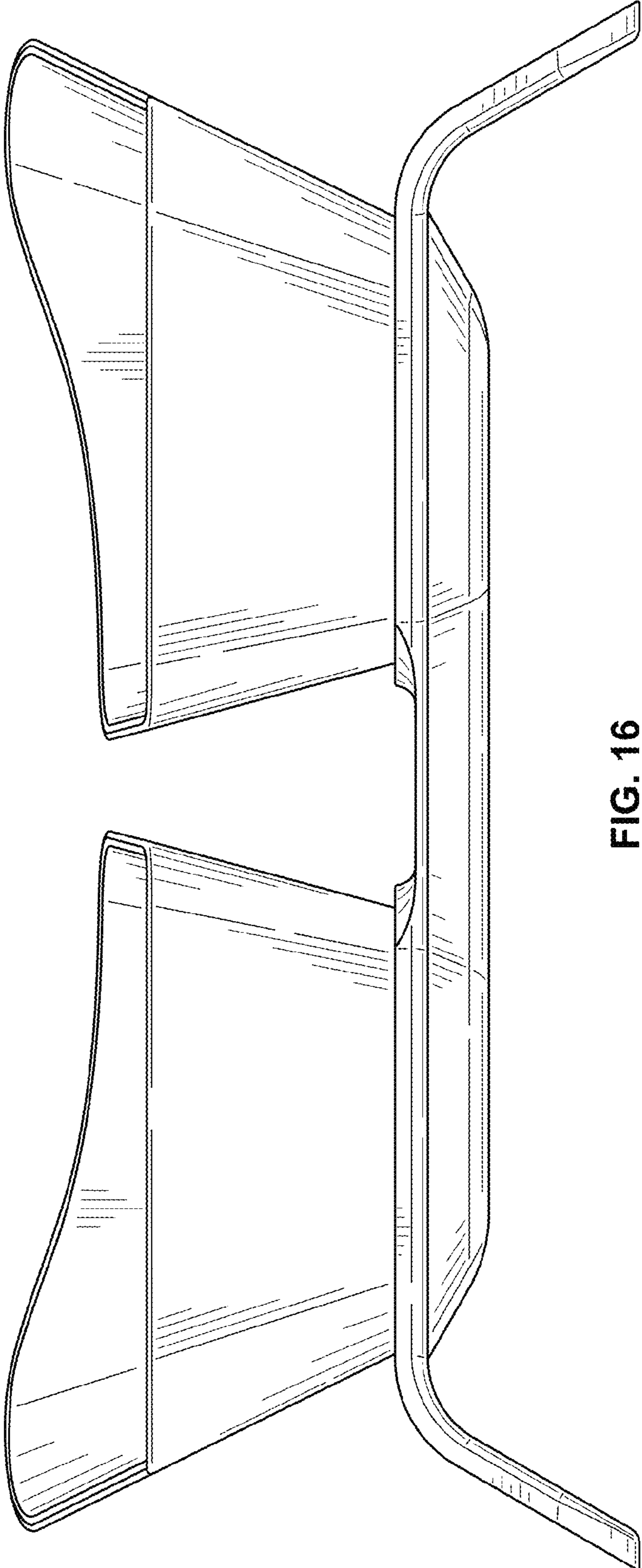


FIG. 16



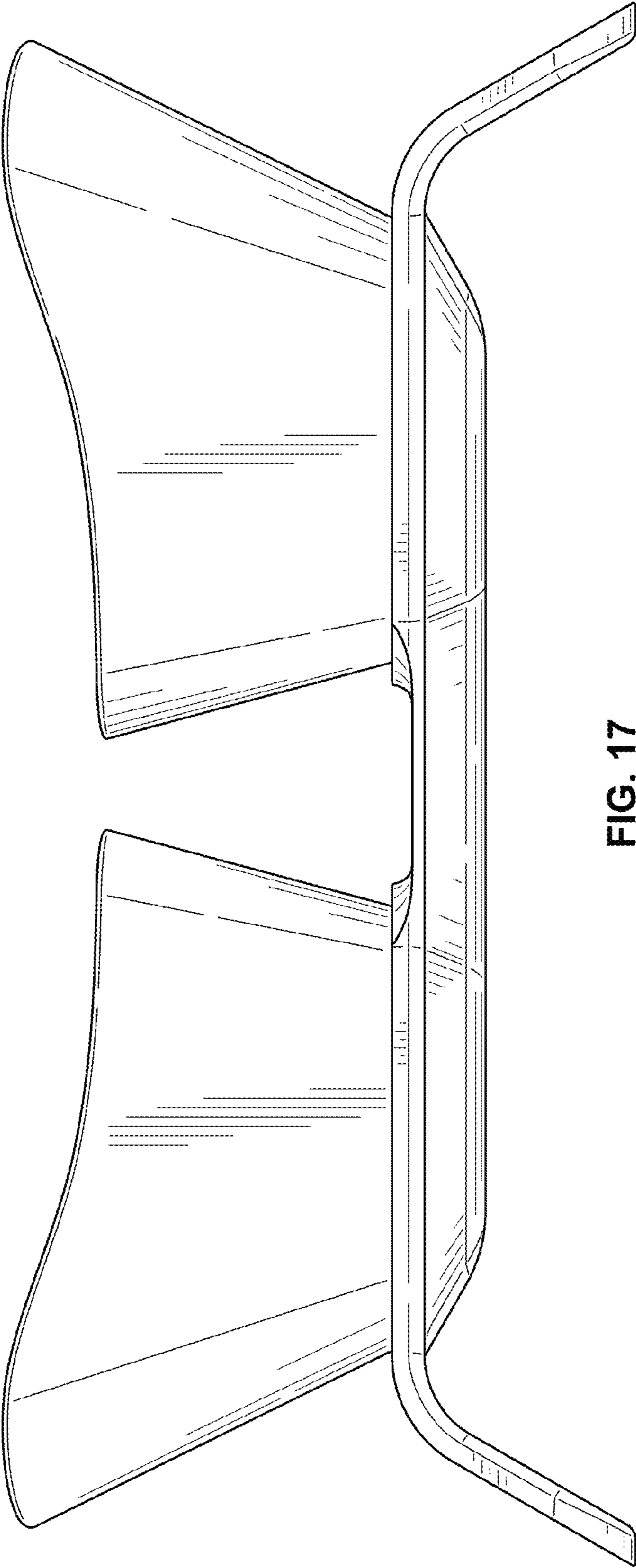


FIG. 17

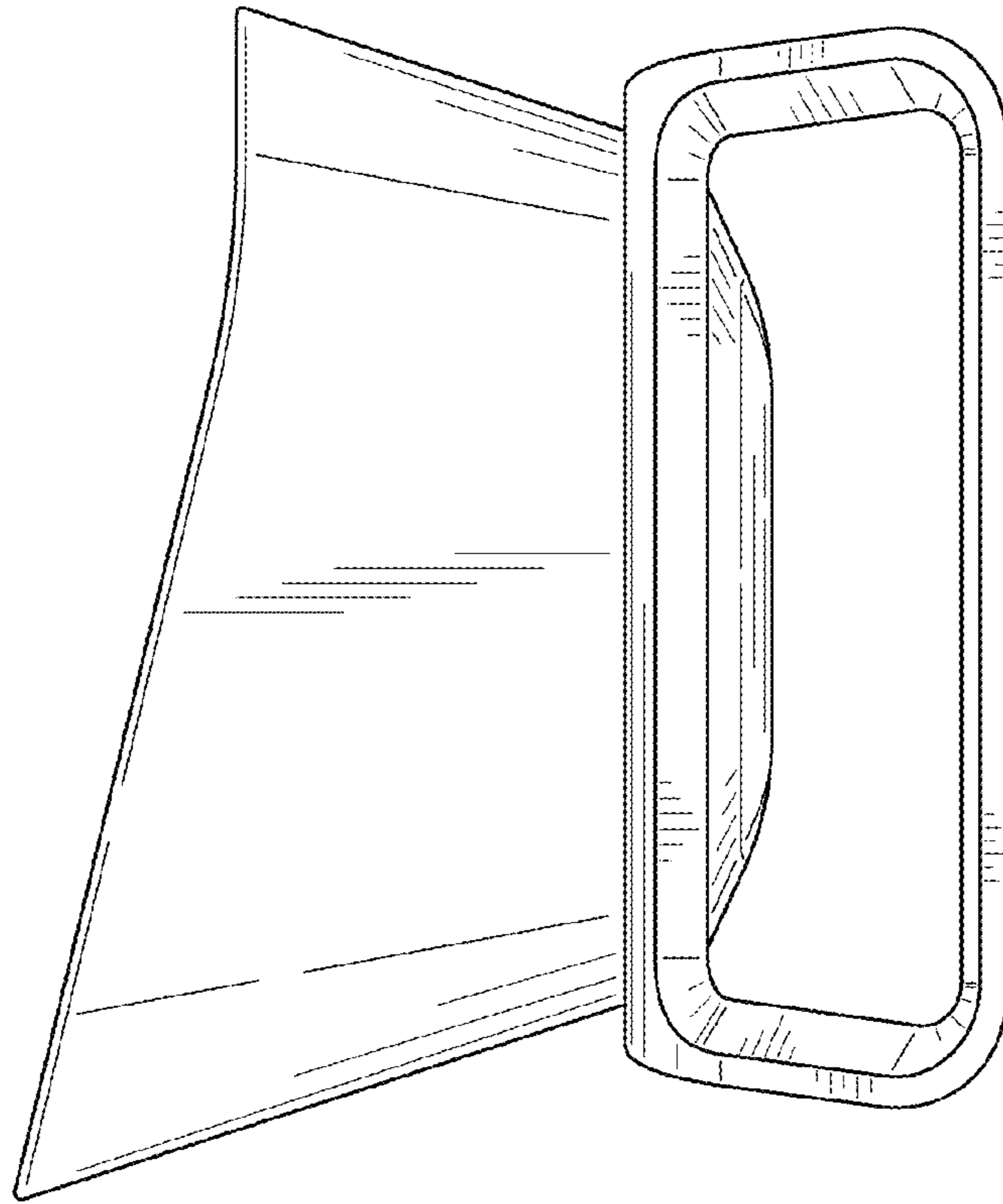


FIG. 19

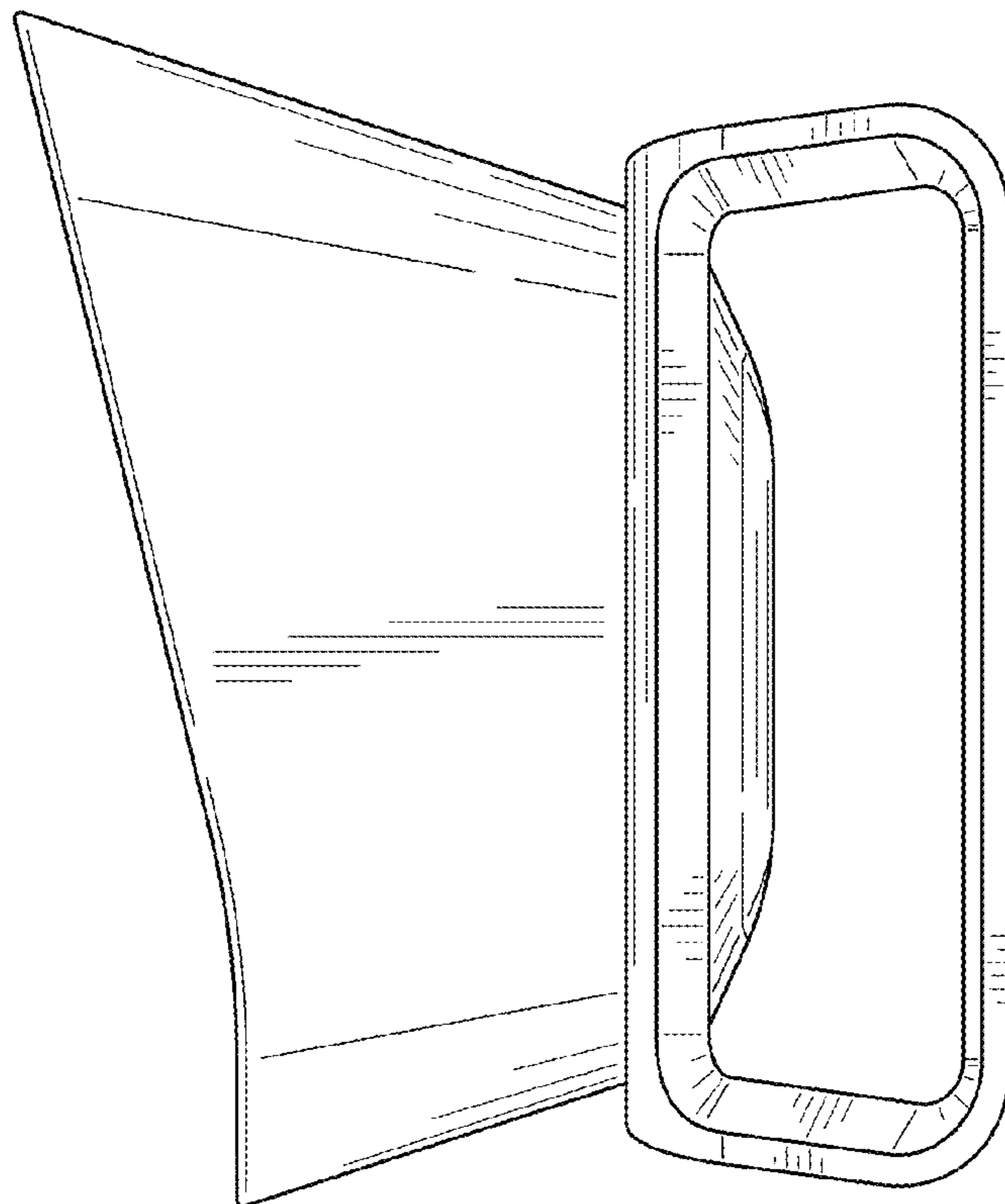


FIG. 18

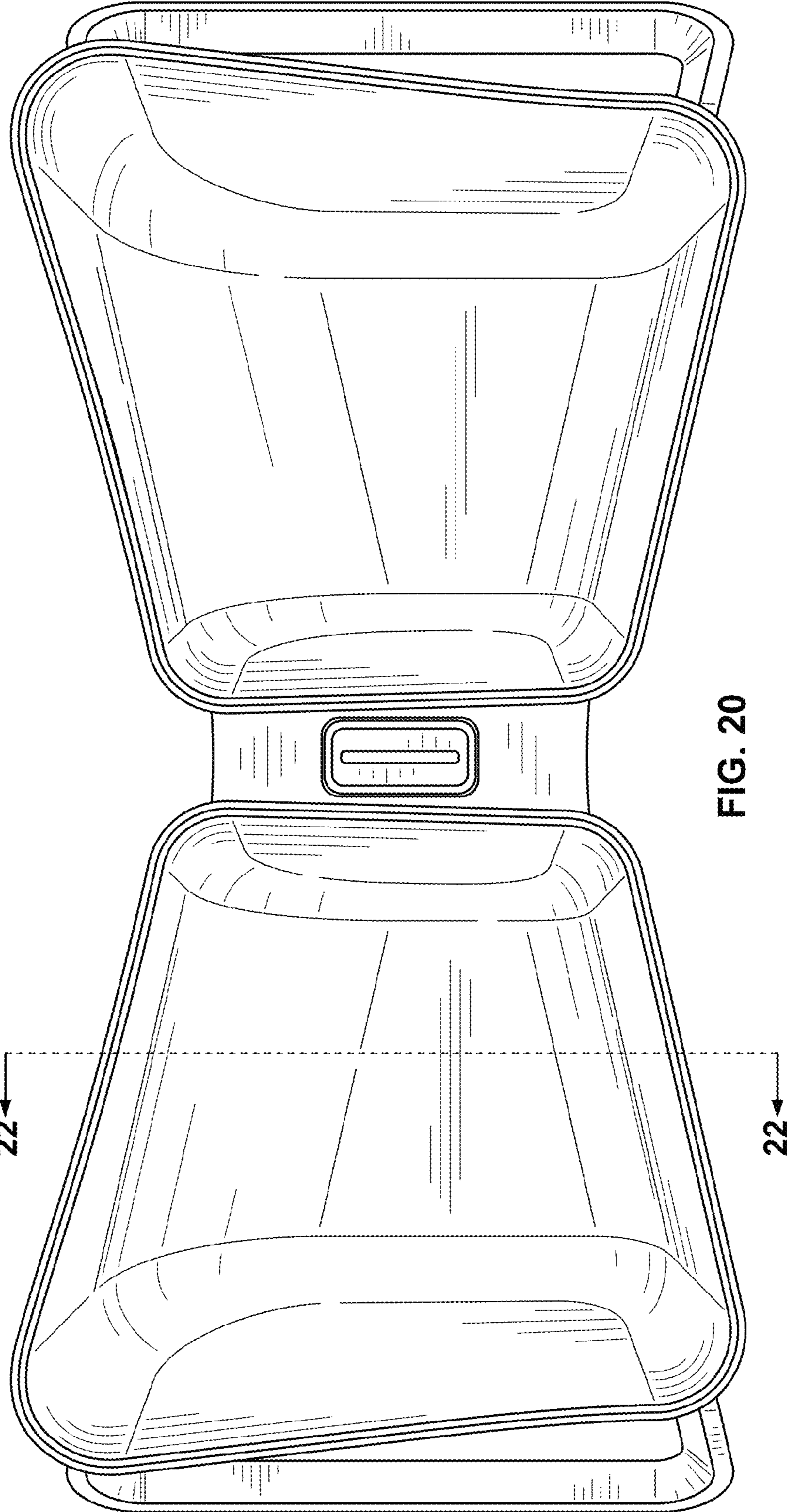


FIG. 20

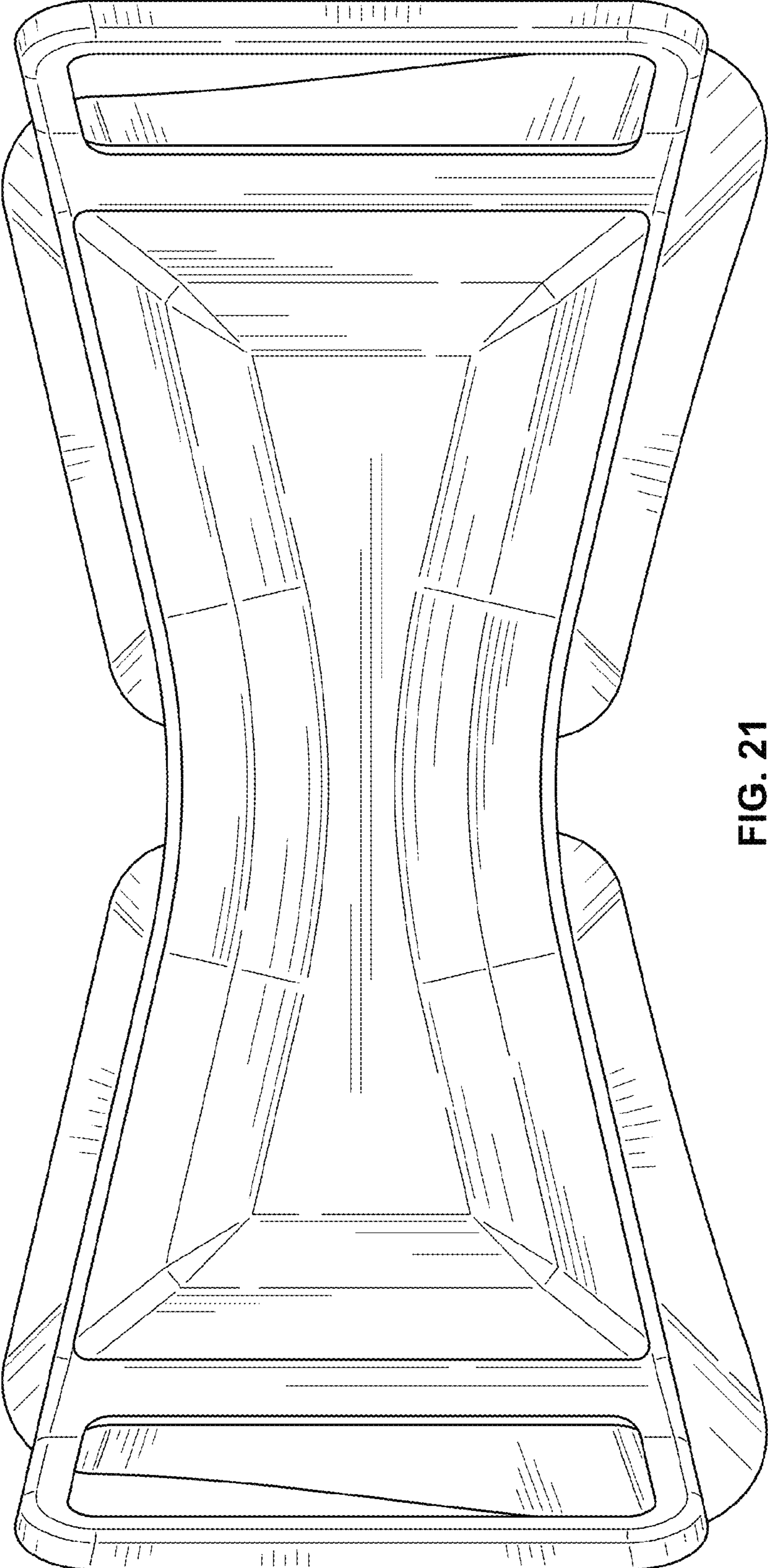


FIG. 21

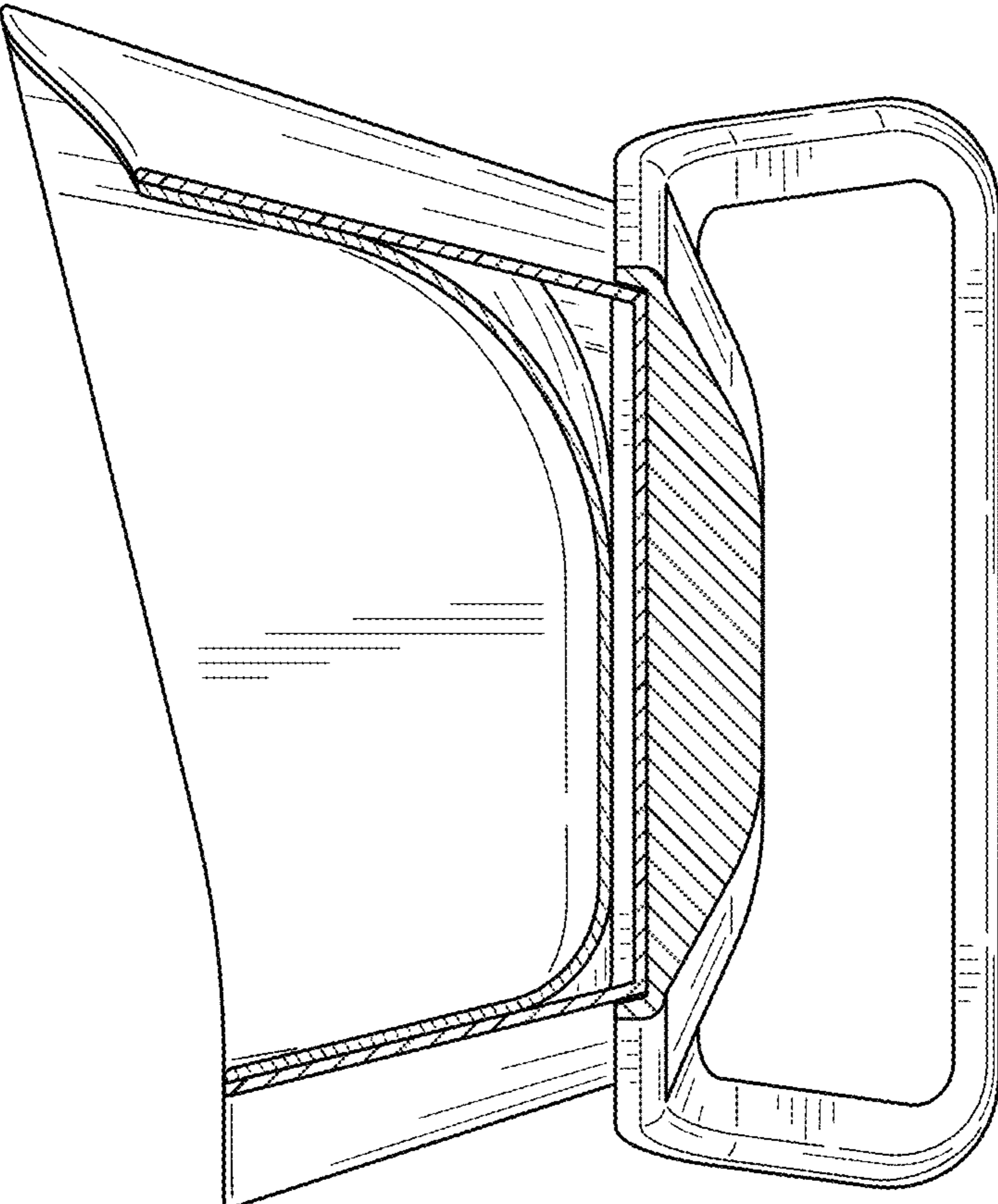


FIG. 22

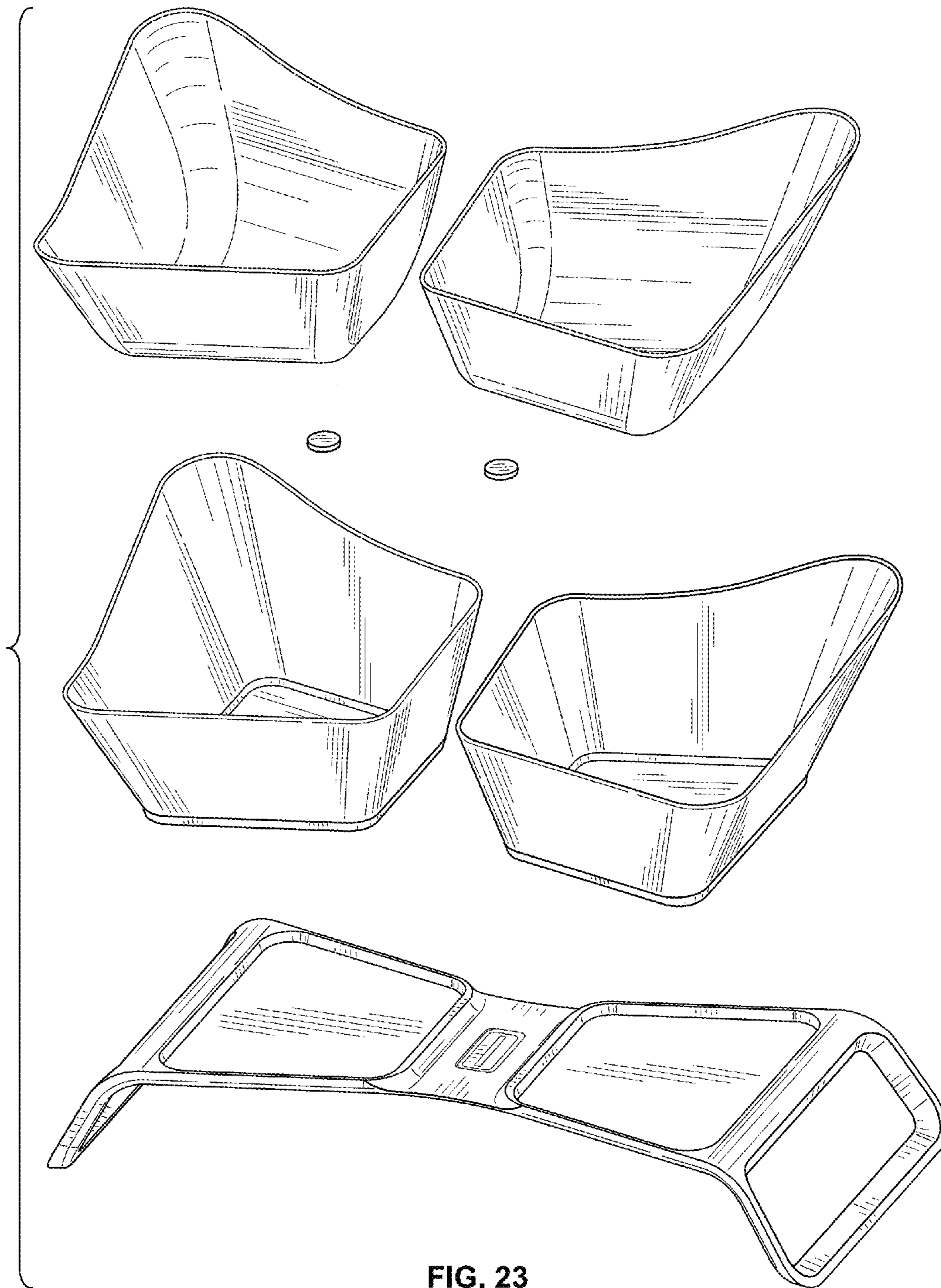


FIG. 23