



US00D761493S

(12) **United States Design Patent**
Lowenthal

(10) **Patent No.:** **US D761,493 S**
(45) **Date of Patent:** **** Jul. 12, 2016**

(54) **PET FOOD STORAGE DEVICE**

(71) Applicant: **Darlene Lowenthal**, Riverwoods, IL
(US)

(72) Inventor: **Darlene Lowenthal**, Riverwoods, IL
(US)

(**) Term: **15 Years**

(21) Appl. No.: **29/536,054**

(22) Filed: **Aug. 13, 2015**

(51) **LOC (10) Cl.** **30-03**

(52) **U.S. Cl.**
USPC **D30/121**

(58) **Field of Classification Search**

USPC D30/133, 121, 122, 124, 127, 128, 132,
D30/131, 114, 119; 119/51.01, 61, 51.04,
119/53, 57.91, 54, 53.5, 52.4, 51.11, 63,
119/61.2, 52.1, 57.5, 57.6, 51.13, 62, 75,
119/500, 501, 521, 57.92, 59, 51.12, 57.1,
119/56.1, 57; 239/7, 687, 379, 397.5;
222/199, 181.1, 181.2, 185.1, 557,
222/156, 485, 486, 548, 555; 220/200, 227,
220/247, 262, 780-815, 832, 836, 913, 560,
220/216, 4.28, 847, 675, 676, 1.5, 6, 4.29,
220/DIG. 12-DIG. 15, DIG. 2; 221/174,
221/185.1, 289, 295, 296, 559; 454/35;
209/270, 283, 244; 52/194, 192;
49/279, 344, 357; D34/28, 9; D3/272,
D3/273, 294, 304-316, 201, 276, 283-286,
D3/318, 319; D7/629, 612-615, 550.1,
D7/552.1, 553.1, 553.2, 553.7,
D7/554.2-554.4, 561, 701; D9/430-432,
D9/440, 449, 755, 781, 770; 449/30, 1, 12,
449/2, 20, 25, 19, 27, 7, 28, 21, 8, 6, 23, 24,
449/26, 31, 13, 37, 60, 14, 11, 42-44;
312/263; 43/54.1, 55, 56; 217/54, 43 R;
294/158; 428/118, 116, 698; 206/503,
206/203, 512, 509; 156/78, 89.27, 89.22;

521/131; 427/255.11, 255.12, 255.19,
427/900; D6/525-540; D12/412, 414.1,
D12/425; D19/75, 86, 90; 160/DIG. 7;
135/115, 119; 126/908
CPC A01K 5/0225; A01K 5/00; A01K 5/02;
A01K 5/01; A01K 5/0291; A01K 5/0266;
A01K 5/0275; A01K 5/0283; A01K 39/00;
A01K 39/01; A01K 39/0113; A01K 39/012;
A01K 39/0125; A01K 39/014; B28C 7/0046;
B65D 90/14; B65D 88/52; B65D 88/30;
A01C 17/005; A01C 17/006; Y10T 74/19721;
Y10T 74/2063

See application file for complete search history.

(56) **References Cited**

U.S. PATENT DOCUMENTS

434,856 A * 8/1890 Wright A01K 5/0241
119/54
D22,400 S * 5/1893 Kellogg D30/121
(Continued)

Primary Examiner — Susan Moon Lee

(74) *Attorney, Agent, or Firm* — Justin Lampel

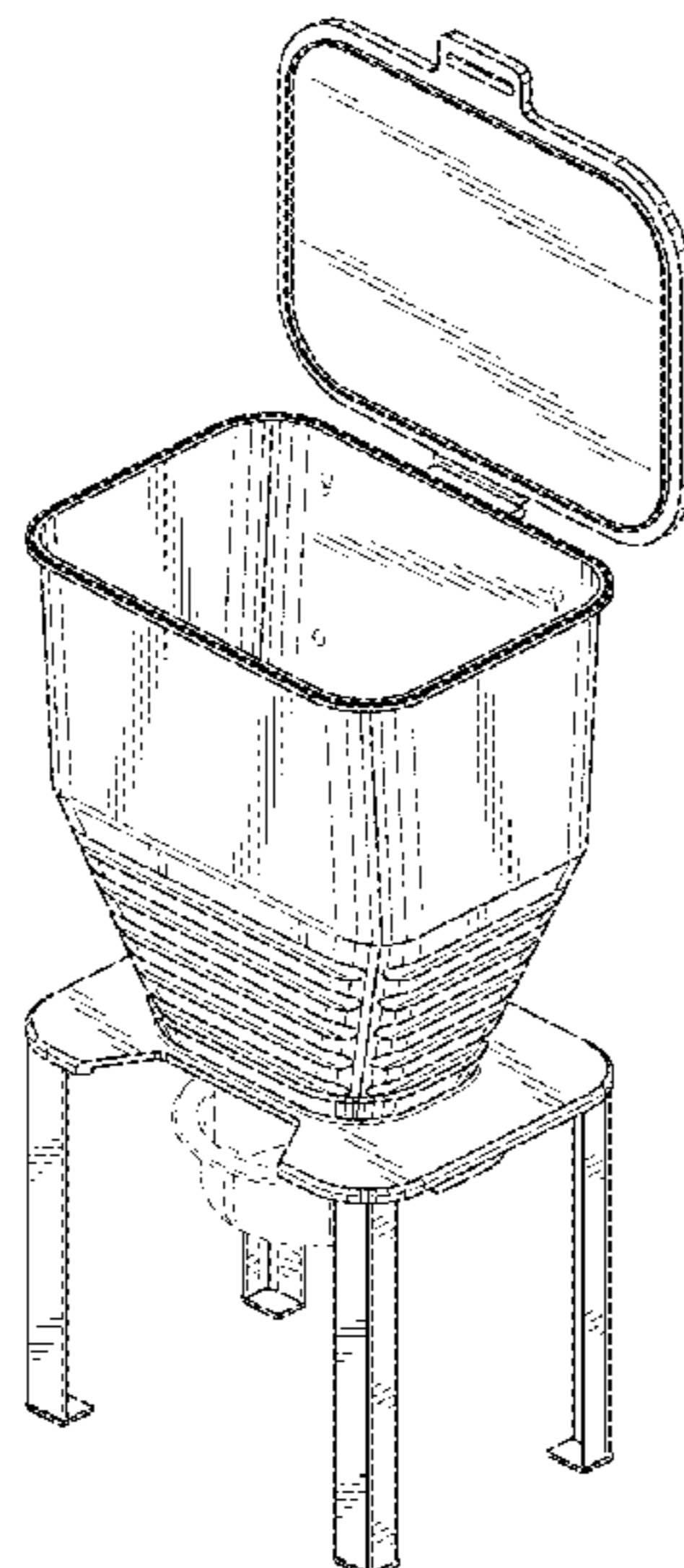
(57) **CLAIM**

The ornamental design for a pet food storage device, as shown and described.

DESCRIPTION

FIG. 1 is a perspective view of the pet food storage device; FIG. 2 is a front view of the pet food storage device; FIG. 3 is a side view of the pet food storage device; FIG. 4 is a side view of the pet food storage device; FIG. 5 is a back view of the pet food storage device; FIG. 6 is a top view of the pet food storage device; and, FIG. 7 is a bottom view of the pet food storage device. Broken lines and unshaded portions contained within broken lines illustratively depict components that could be used with the device that form no part of the claimed design.

1 Claim, 4 Drawing Sheets



(56)

References Cited

U.S. PATENT DOCUMENTS

962,635 A *	6/1910	Griner	A01K 39/012	119/53	5,613,464 A *	3/1997	Petzel	A01K 5/025	119/55
1,359,691 A *	11/1920	Genuit	A01K 39/014	119/57.91	5,794,561 A *	8/1998	Schulz	A01K 5/0225	119/52.1
D121,303 S *	7/1940	Nagle		119/464	D407,864 S *	4/1999	Olaiz	D30/129	
D121,304 S *	7/1940	Nagle		119/464	D435,706 S *	12/2000	Clark	D30/121	
D154,407 S *	7/1949	McCutcheon		D30/124	6,227,143 B1 *	5/2001	Papkov	A01K 5/0291	119/51.11
2,576,154 A *	11/1951	Trautvetter	A01K 5/01	119/61.2	6,330,867 B1 *	12/2001	Rasmussen	A01K 5/0225	119/52.1
D174,781 S *	5/1955	Sturma	D30/121		6,367,417 B1 *	4/2002	Gal	A01K 5/0291	119/51.11
D175,133 S *	7/1955	Siggins	119/464		6,408,787 B1 *	6/2002	Clark	A01K 5/0275	119/51.01
D175,813 S *	10/1955	Weller	D15/13		D477,440 S *	7/2003	Ansaldo	119/57.91	
2,974,963 A *	3/1961	McBride	A01D 43/14	222/161	6,868,801 B2 *	3/2005	Rovira Badia	A01K 5/0225	119/51.5
3,123,257 A *	3/1964	Miller	A47G 29/093	220/630	6,910,443 B2 *	6/2005	Rasmussen	A01K 5/0225	119/52.1
3,730,142 A *	5/1973	Kahrs	A01K 61/02	119/51.04	D508,758 S *	8/2005	Jarke	119/51.5	
3,782,332 A *	1/1974	Depenthal	A01K 5/0291	119/51.13	D518,245 S *	3/2006	Denslow	D30/121	
D239,546 S *	4/1976	Kitson	D30/121		7,178,481 B1 *	2/2007	Friesenhahn, Jr.	A01K 5/0225	119/57.91
4,030,452 A *	6/1977	Keen	A01K 39/01	119/57.1	7,780,027 B2 *	8/2010	Coady	A01K 5/0225	119/51.03
4,039,118 A *	8/1977	Kawaoka	A01K 5/0225	119/53.5	8,302,563 B2 *	11/2012	Chang	A01K 5/0225	119/53.5
D252,592 S *	8/1979	Lage	119/71		D698,500 S *	1/2014	Banks	D30/121	
4,303,039 A *	12/1981	Thibault	A01K 5/0225	119/52.1	8,651,052 B1 *	2/2014	Dugan	A01K 5/0225	119/51.11
4,556,015 A *	12/1985	Osborn	A01K 5/0275	119/56.1	8,683,948 B2 *	4/2014	Gerke	A01K 5/0225	119/57.1
D286,172 S *	10/1986	Takino	D23/202		8,689,737 B2 *	4/2014	Gates	A01K 5/0225	119/53
4,892,060 A *	1/1990	Lundquist	A01K 39/012	119/52.2	D710,549 S *	8/2014	Bogart	D30/121	
D320,481 S *	10/1991	Sterner	D30/121		8,833,303 B1 *	9/2014	Linder	A01K 5/0225	119/57.91
5,555,842 A *	9/1996	Chocola	A01K 5/0275	119/51.11	9,137,967 B2 *	9/2015	Lathim	A01K 5/0114	
5,603,285 A *	2/1997	Kleinsasser	A01K 5/0225	119/53	9,204,619 B2 *	12/2015	Gates	A01K 5/0225	
5,606,934 A *	3/1997	Brisby	A01K 5/0216	119/51.5	2005/0076843 A1 *	4/2005	Ansaldo	A01K 5/0225	119/57.91

* cited by examiner

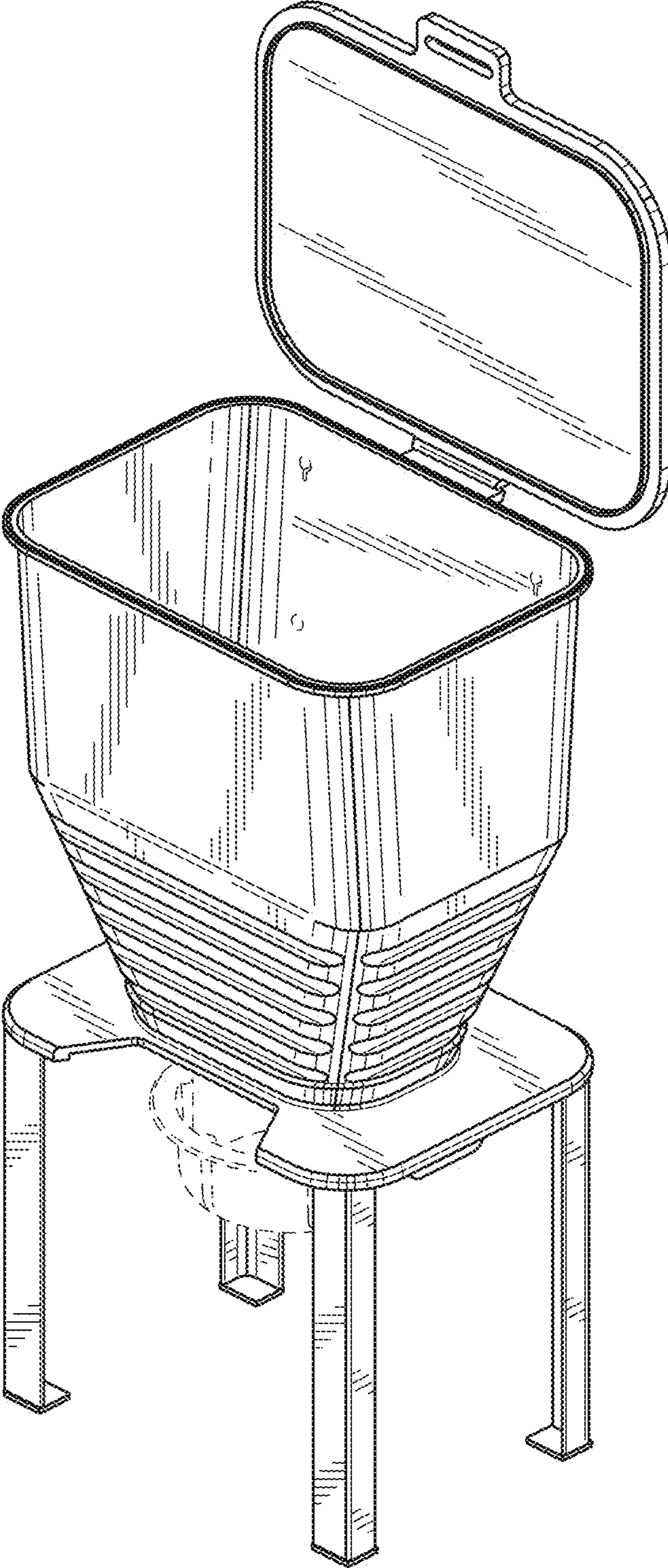


FIG. 1

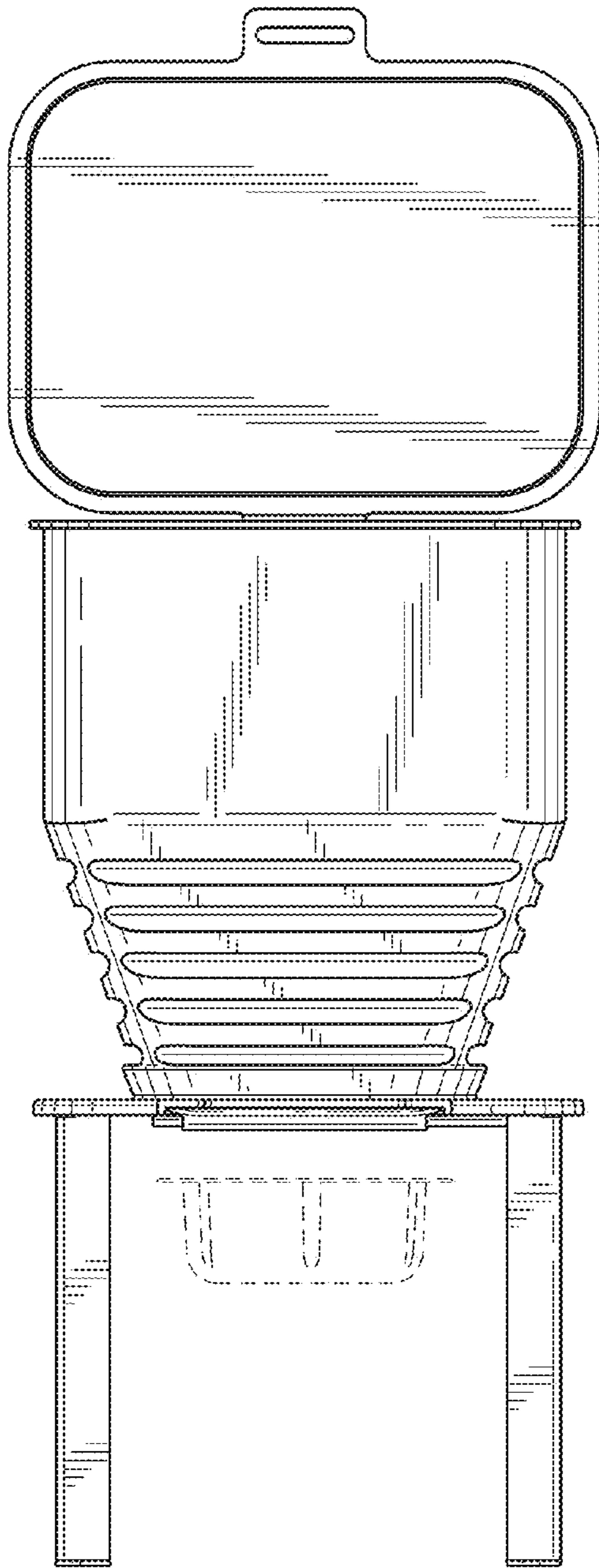


FIG. 2

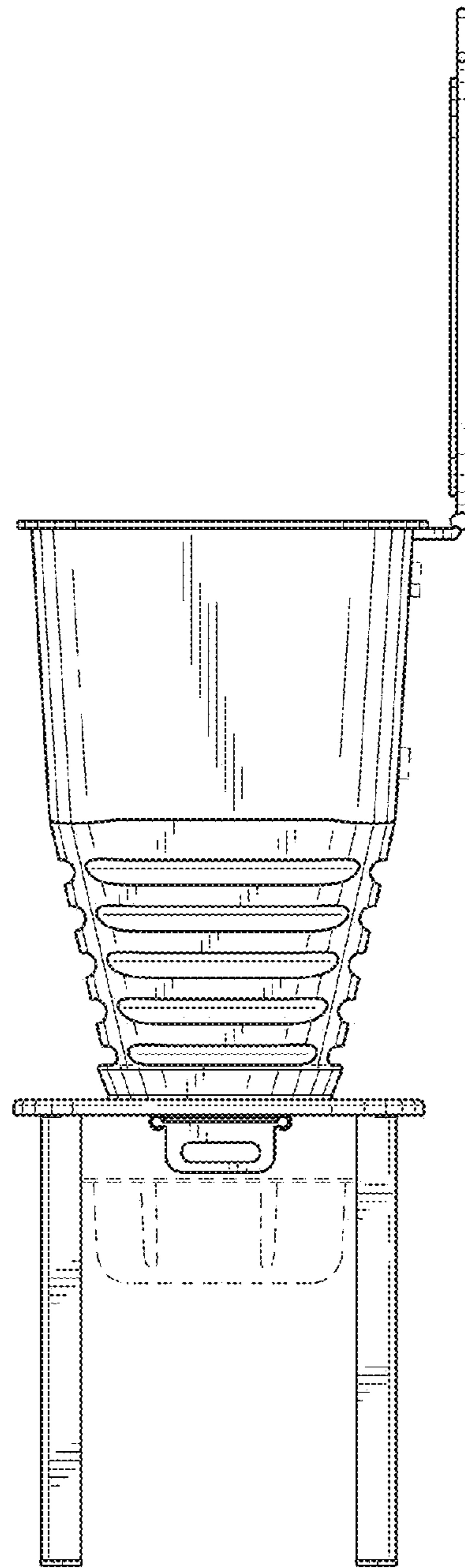


FIG. 3

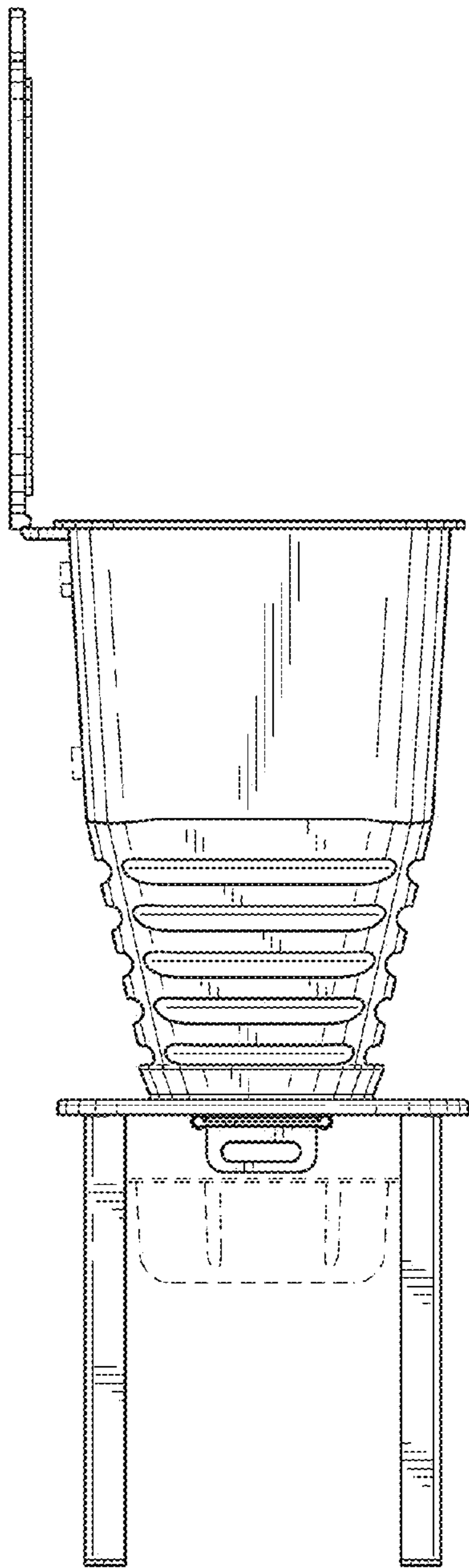


FIG. 4

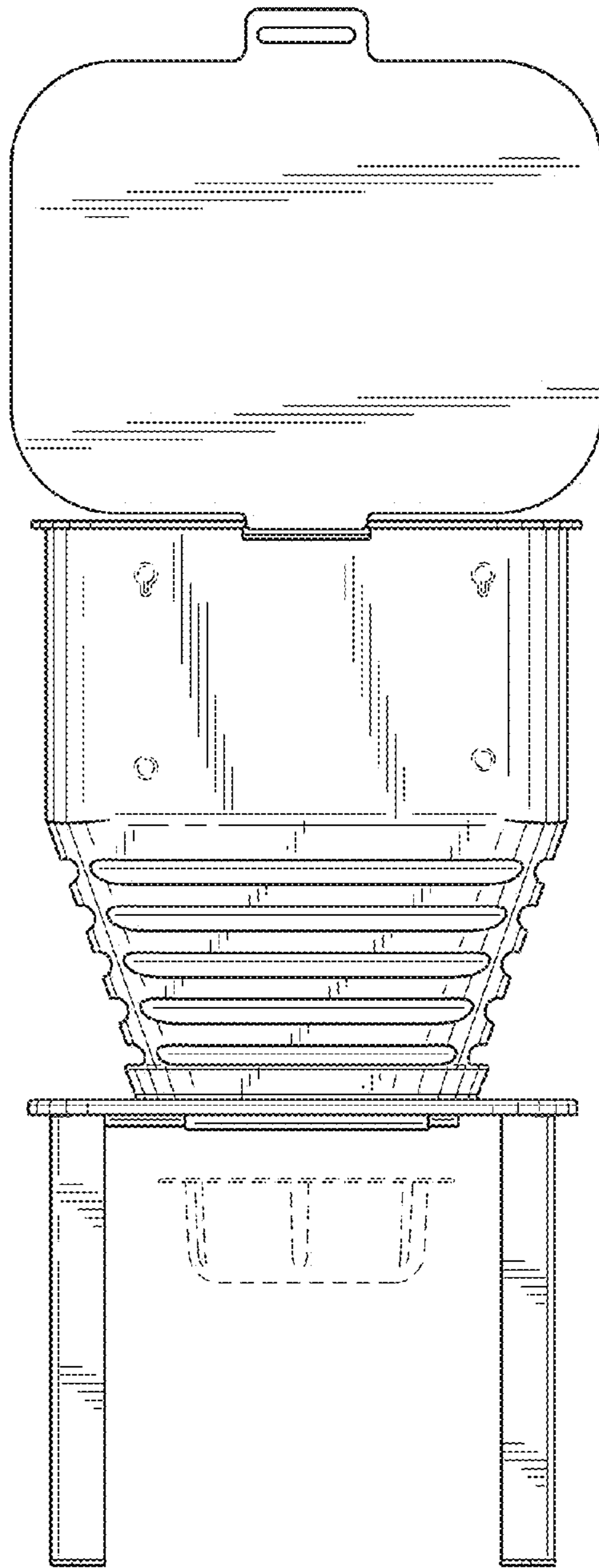


FIG. 5

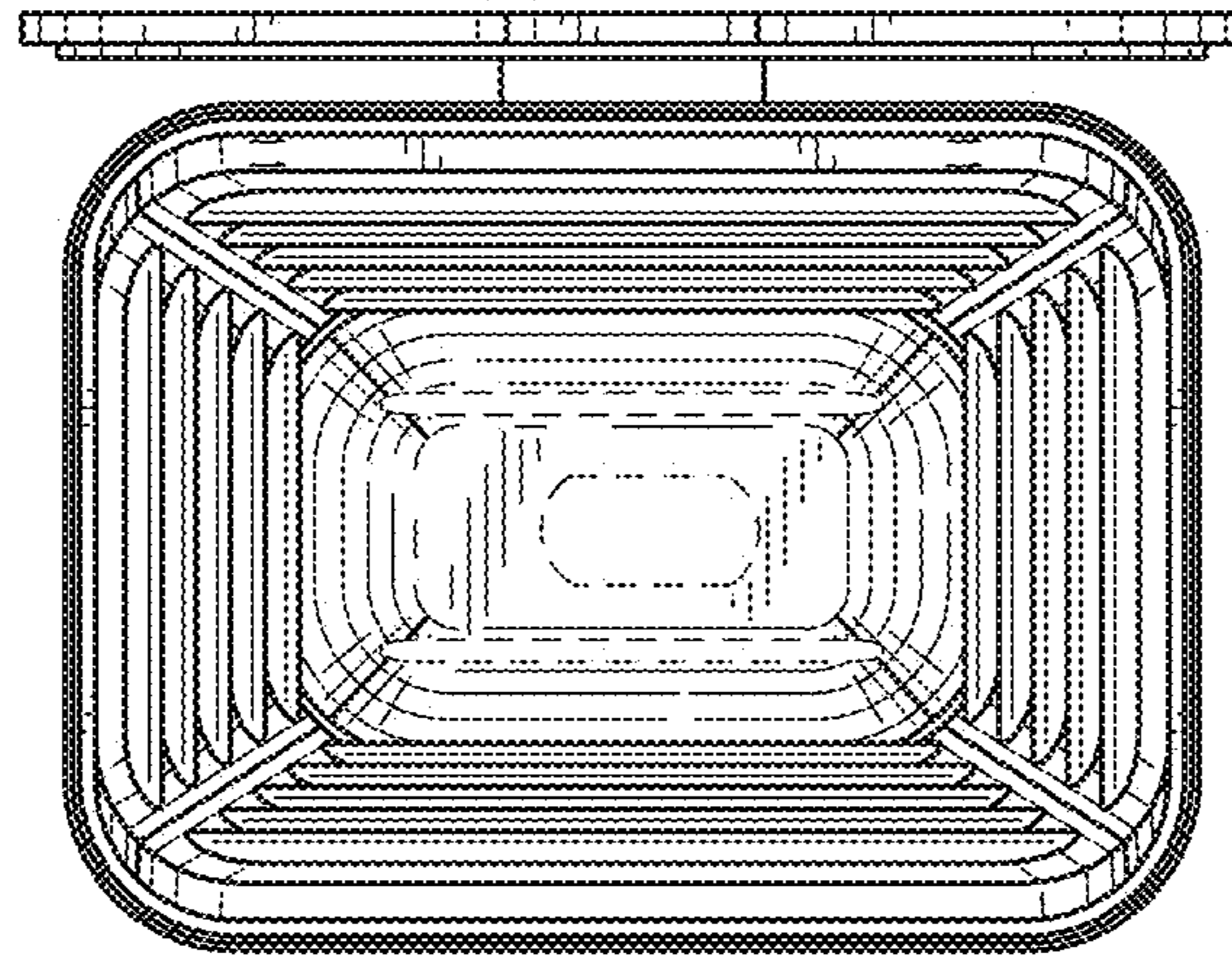


FIG. 6

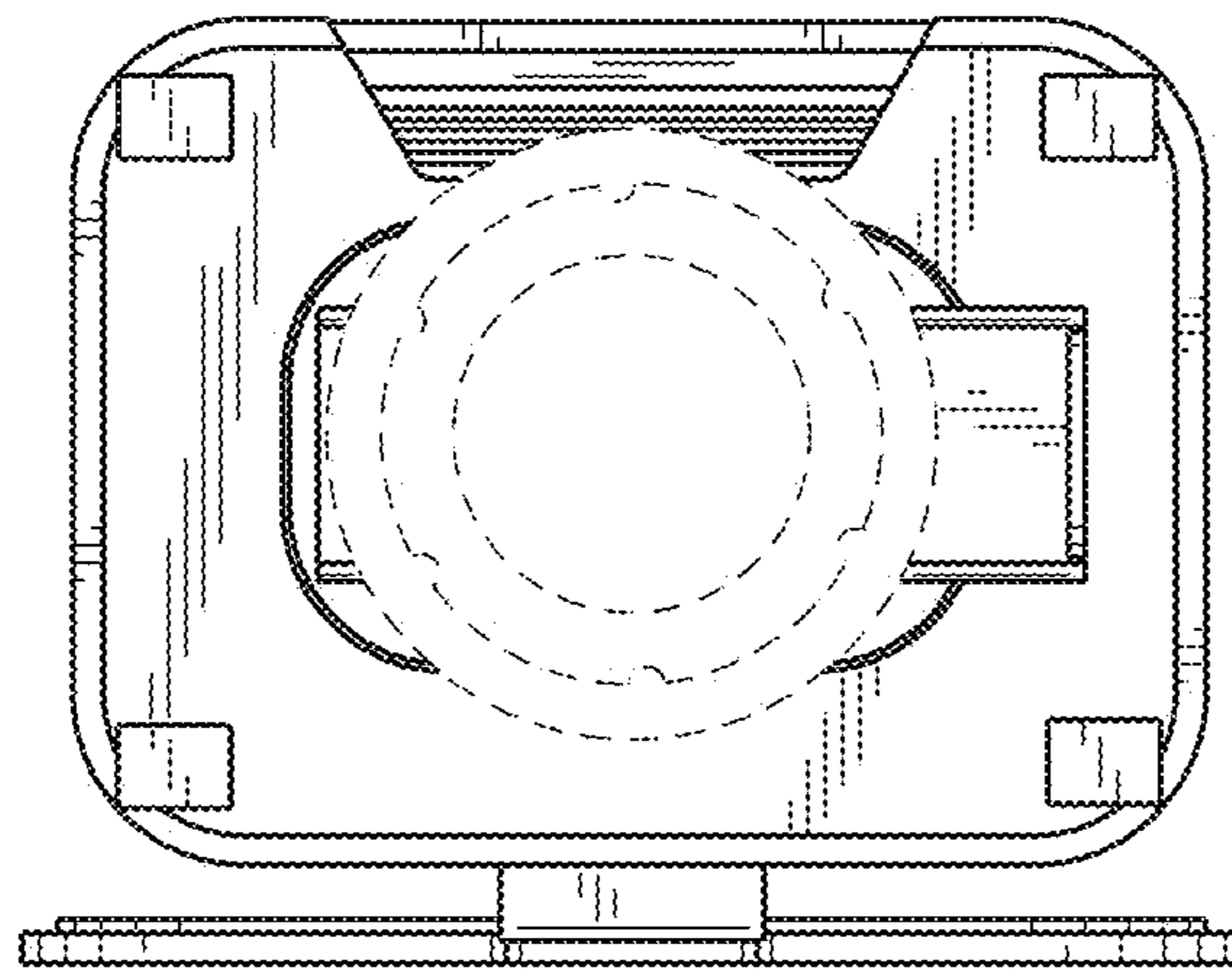


FIG. 7