



US00D761492S

(12) **United States Design Patent**
Goodman et al.

(10) **Patent No.:** **US D761,492 S**
(45) **Date of Patent:** **** Jul. 12, 2016**

- (54) **STYLING STATION**
- (71) Applicant: **Spectrum Diversified Designs, Inc.**,
Streetsboro, OH (US)
- (72) Inventors: **Sheldon H. Goodman**, Solon, OH (US);
Phaysouk Xayoiphonh, Akron, OH
(US)
- (73) Assignee: **Spectrum Diversified Designs, LLC**,
Streetsboro, OH (US)
- (**) Term: **14 Years**
- (21) Appl. No.: **29/507,694**
- (22) Filed: **Oct. 30, 2014**
- (51) **LOC (10) Cl.** **28-03**
- (52) **U.S. Cl.**
USPC **D28/73; D28/38**
- (58) **Field of Classification Search**
USPC D28/73, 77, 38; D6/567, 566, 528, 531,
D6/527, 524, 525, 526, 537, 553, 513,
D6/562; D7/600.1-600.4, 704; D8/373,
D8/366, 352, 356, 376, 380; 248/317
CPC A45D 44/04; A45D 20/00; A45D 20/12;
A45D 2020/126; A45D 2020/128; A45D
44/02; A45D 2001/002; A45D 20/16; A47F
5/00; A47F 5/01; A47F 5/13
See application file for complete search history.

(56) **References Cited**

U.S. PATENT DOCUMENTS

- D178,377 S * 7/1956 Karoff D7/704
- 2,903,137 A * 9/1959 Brown A47B 55/02
211/104
- D213,993 S * 4/1969 Mineo 211/181.1
- D243,559 S * 3/1977 Hoyle D28/38
- D390,056 S * 2/1998 Pujals, Jr. D6/566

- D430,441 S * 9/2000 Rosenberg D6/513
- D470,978 S * 2/2003 Hoernig D28/73
- D479,073 S * 9/2003 Snell D6/525
- D512,861 S * 12/2005 Rosen D6/525
- D570,633 S * 6/2008 Goodman D6/566
- D603,095 S * 10/2009 Petruccelli D28/38
- D643,657 S * 8/2011 Cittadino D6/525
- D694,548 S * 12/2013 Snell D6/525

OTHER PUBLICATIONS

Wayfair.com, "hair dryer" tagged items under all bathroom accessories. Accessed on Oct. 6, 2015. (<http://www.wayfair.com/filters/All-Bathroom-Accessories-I363-c1773103-q-hair+dryer.html>).*
Google.com image search "countertop bathroom organizer wire", date restricted to show results prior to Oct. 30, 2013. Accessed Oct. 9, 2015.*

* cited by examiner

Primary Examiner — Jennifer Rivard

Assistant Examiner — April Rivas

(74) *Attorney, Agent, or Firm* — Benesch Friedlander Coplan & Aronoff LLP

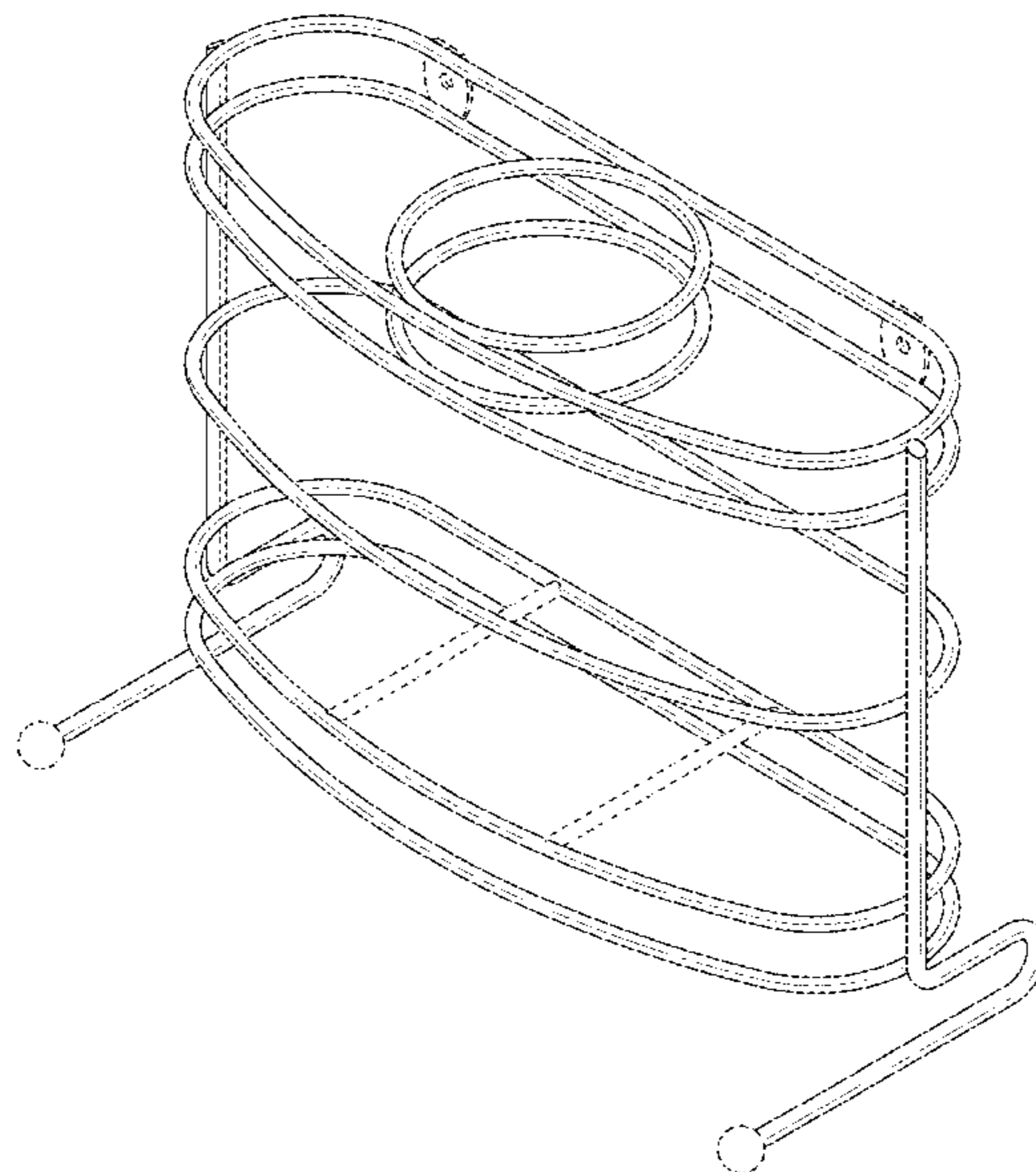
(57) **CLAIM**

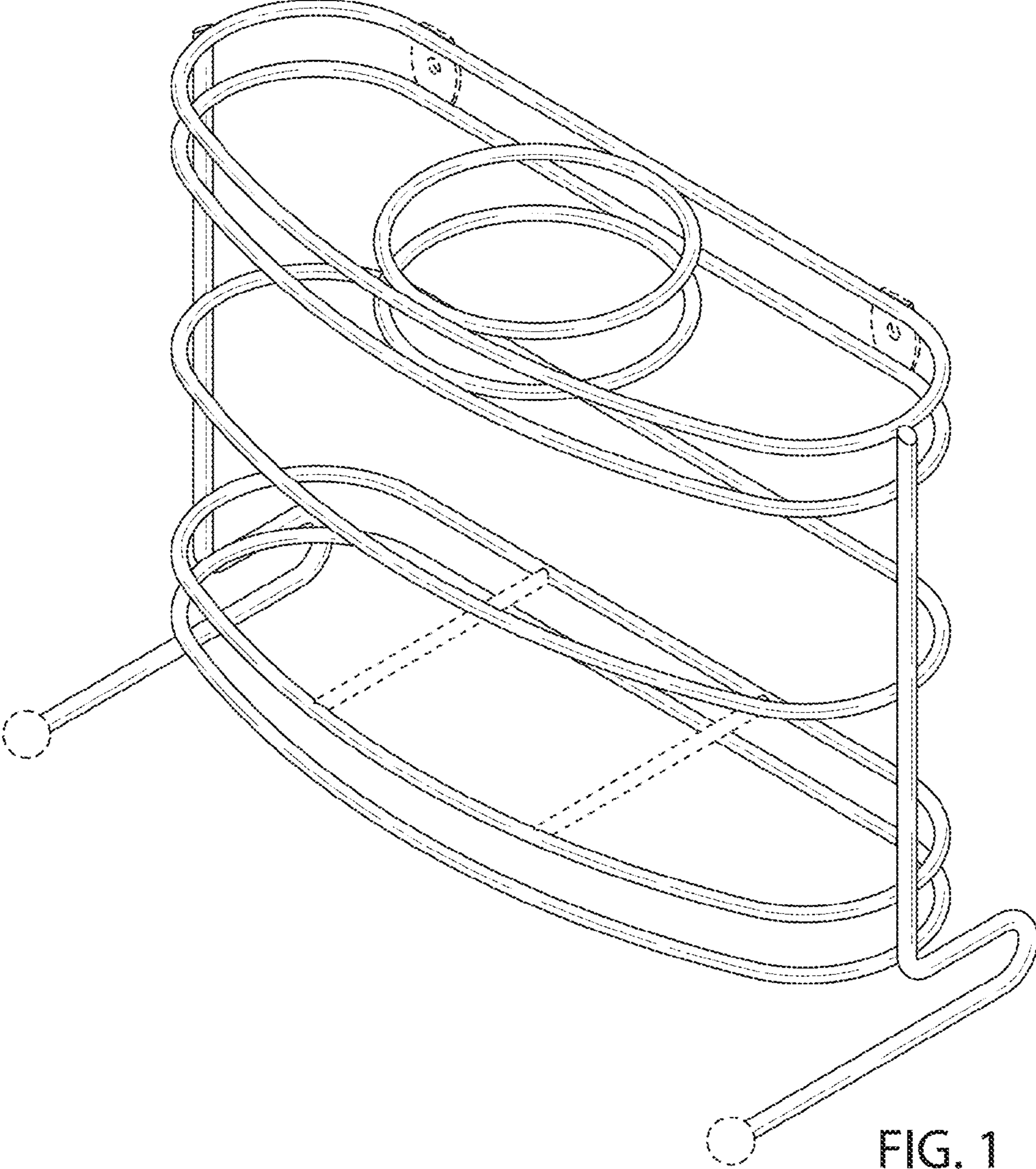
What is claimed is the ornamental design for a styling station, as shown and described.

DESCRIPTION

FIG. 1 is a perspective view of a styling station showing a new design;
FIG. 2 is a front view of the styling station of FIG. 1;
FIG. 3 is a rear view of the styling station of FIG. 1;
FIG. 4 is a top view of the styling station of FIG. 1;
FIG. 5 is a bottom view of the styling station of FIG. 1; and,
FIG. 6 is a side view of the styling station of FIG. 1.
The broken lines illustrate portions of the styling station and form no part of the claimed design.

1 Claim, 4 Drawing Sheets





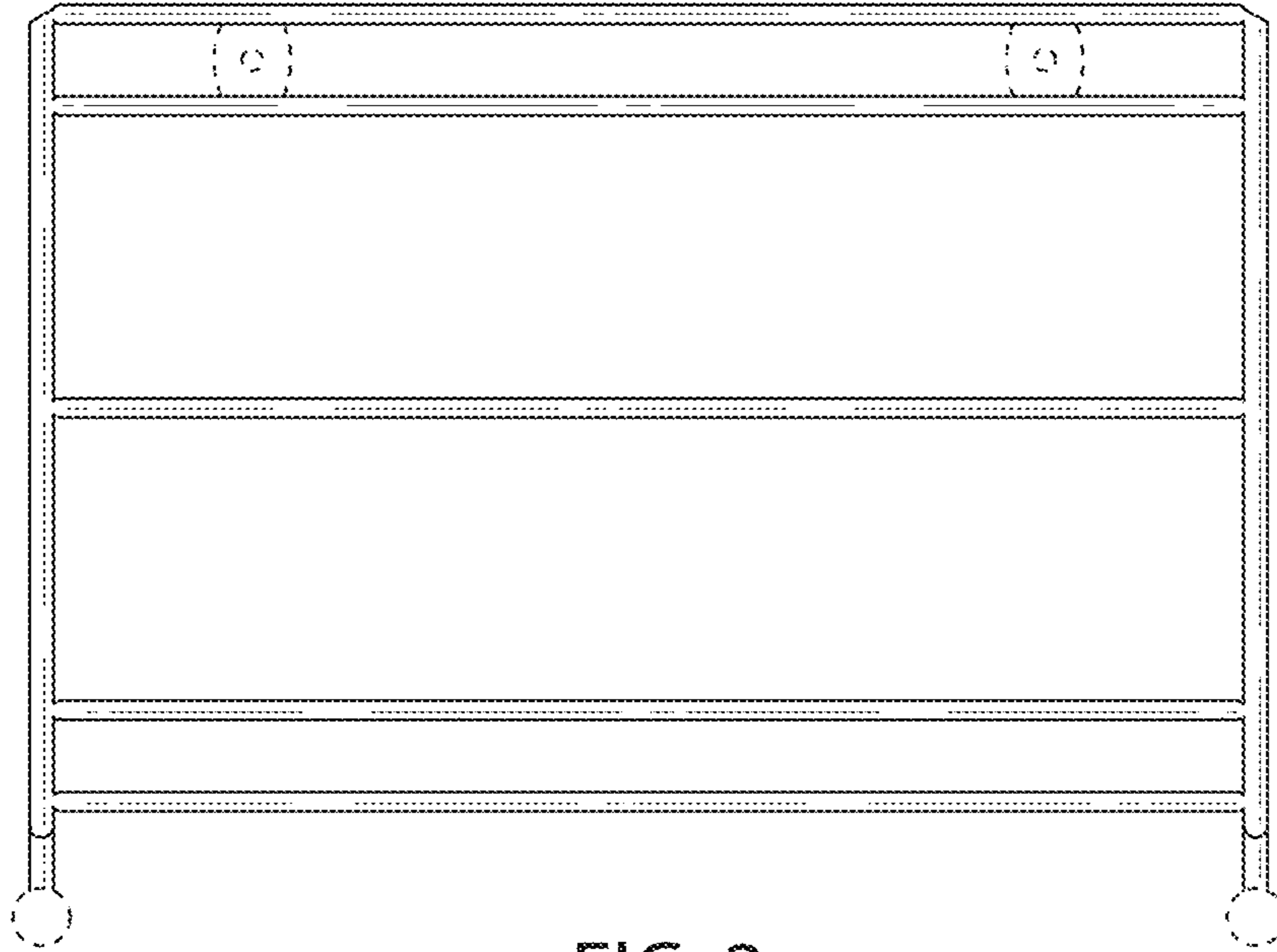


FIG. 2

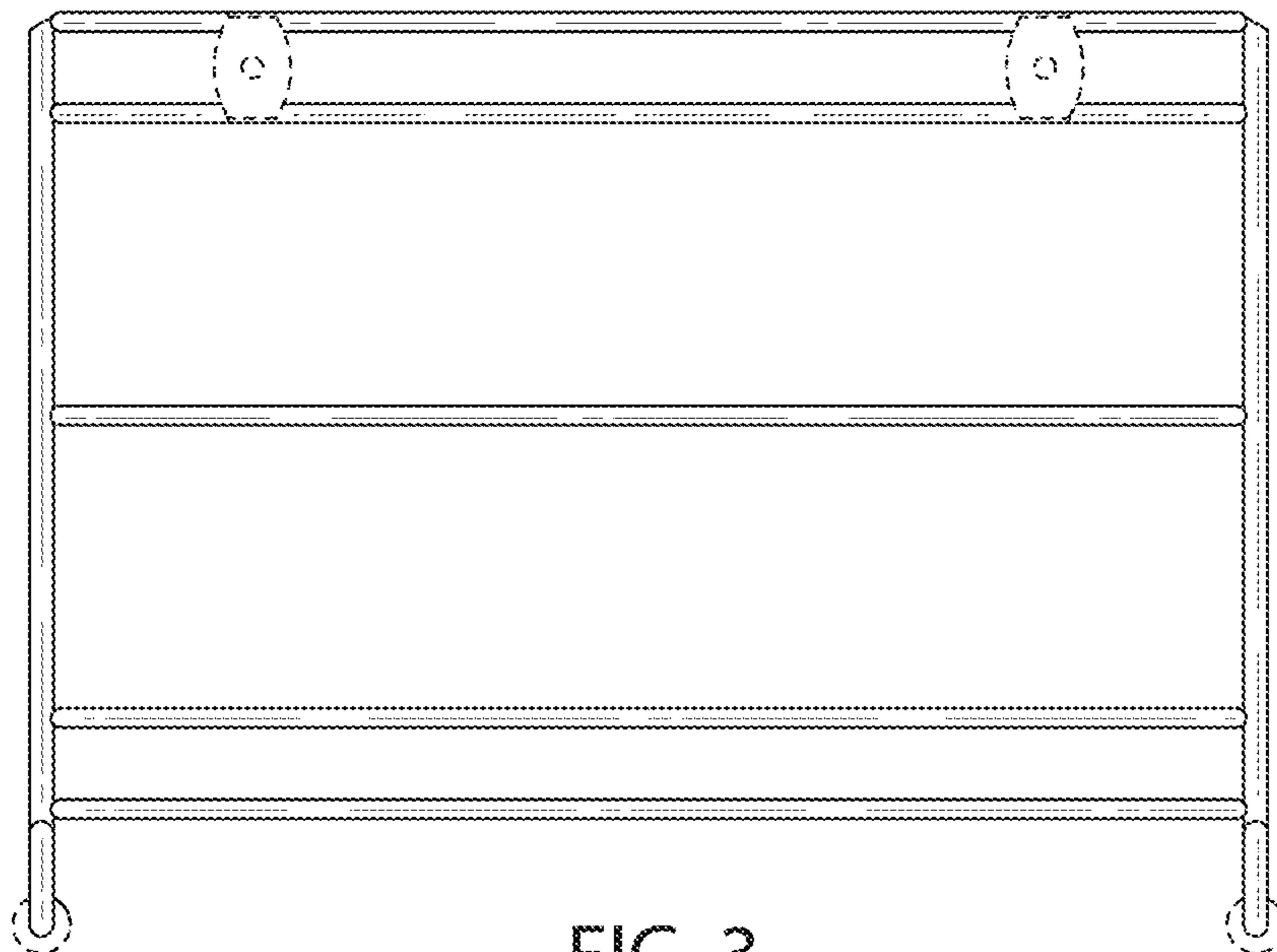


FIG. 3

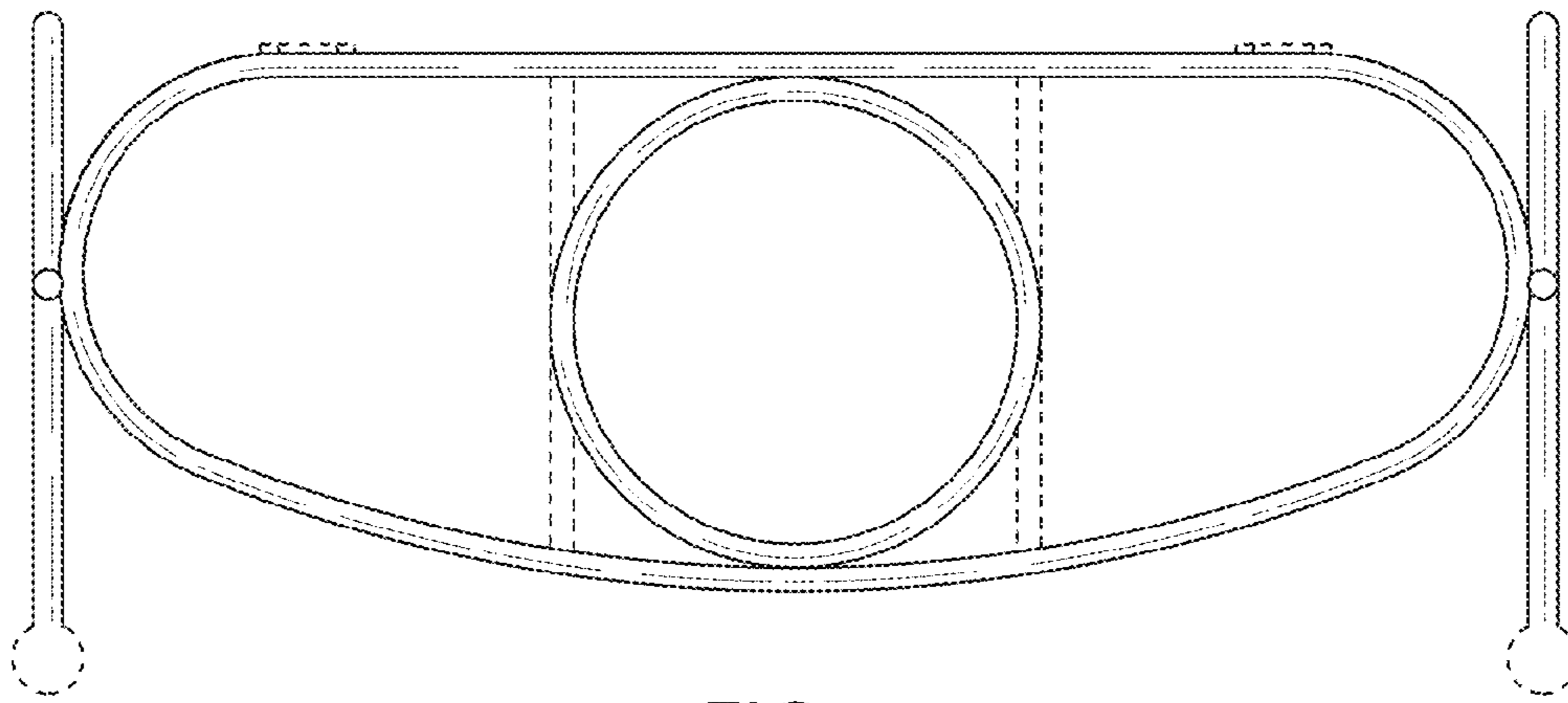


FIG. 4

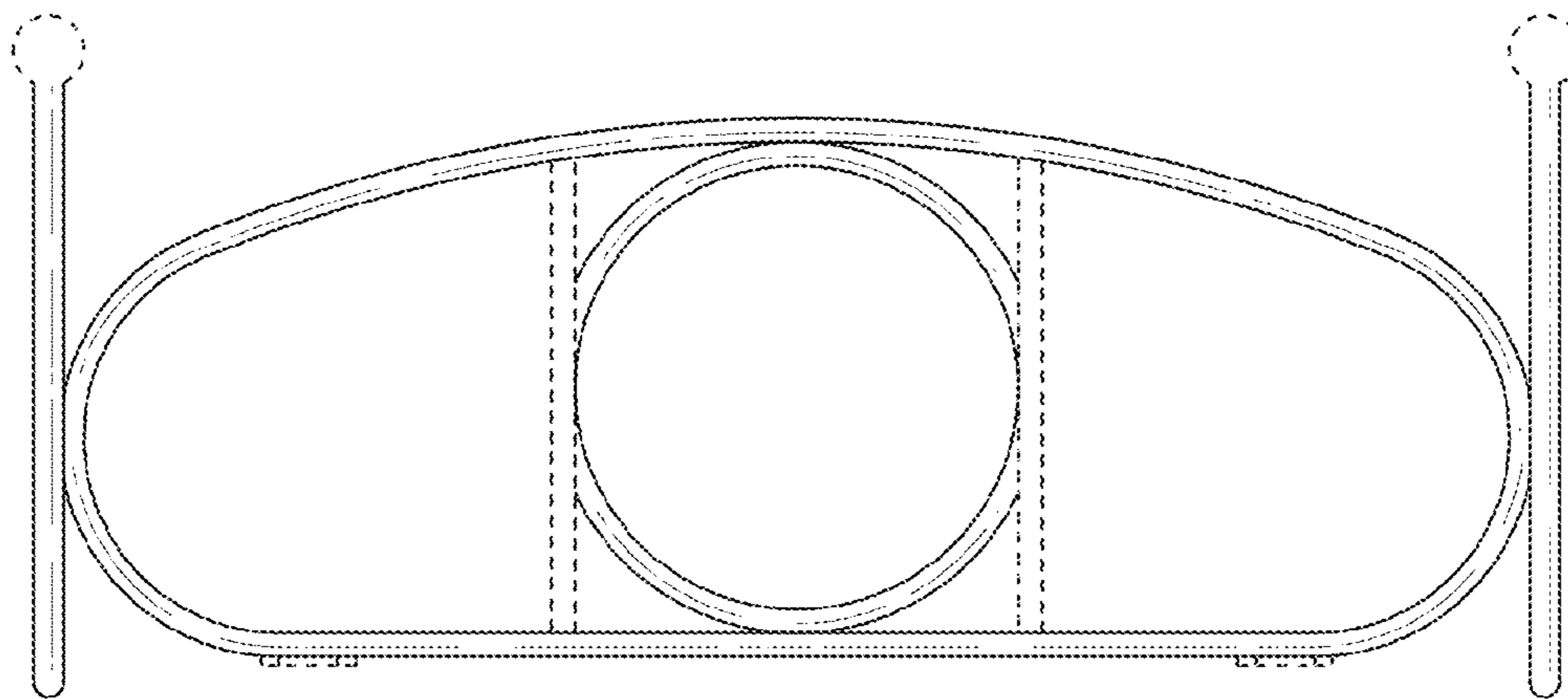


FIG. 5

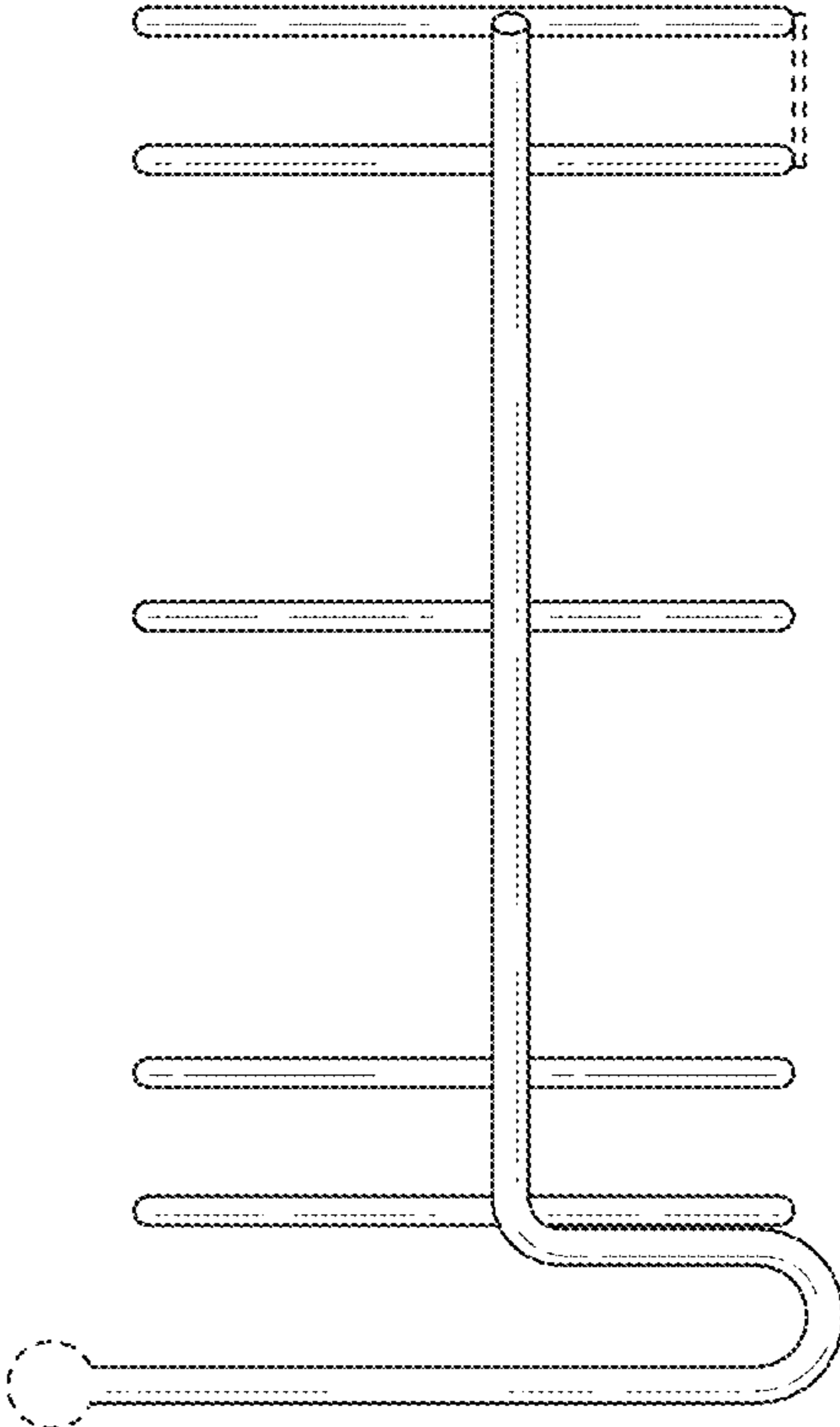


FIG. 6