



US00D761490S

(12) **United States Design Patent**
Hollinger

(10) **Patent No.:** **US D761,490 S**
(45) **Date of Patent:** **** Jul. 12, 2016**

- (54) **DUAL HEAD PEDICURE DEVICE**
- (71) Applicant: **E. MISHAN & SONS, INC.**, New York, NY (US)
- (72) Inventor: **Fred Hollinger**, Monroe Township, NJ (US)
- (73) Assignee: **E. Mishan & Sons, Inc.**, New York, NY (US)
- (**) Term: **15 Years**
- (21) Appl. No.: **29/551,394**
- (22) Filed: **Jan. 13, 2016**

D686,370 S *	7/2013	Yiu	D24/133
D692,181 S *	10/2013	Yiu	D28/49
D701,648 S *	3/2014	Yiu	D24/133
D709,650 S *	7/2014	Yiu	D28/58
D715,493 S *	10/2014	Yiu	D28/49
D733,965 S *	7/2015	Yiu	D28/49
D736,999 S *	8/2015	Yiu	D28/58
D737,517 S *	8/2015	Yiu	D28/49
D737,519 S *	8/2015	Yiu	D28/54
D737,520 S *	8/2015	Yiu	D28/54
D738,043 S *	9/2015	Yiu	D28/44.1
D751,253 S *	3/2016	Hollinger	D28/44.1
D752,812 S *	3/2016	Sivan	D28/58
2006/0058714 A1 *	3/2006	Rhoades	A45D 24/007 601/73

* cited by examiner

Primary Examiner — Jennifer Rivard
(74) *Attorney, Agent, or Firm* — Notaro, Michalos & Zaccaria P.C.

Related U.S. Application Data

- (62) Division of application No. 29/531,502, filed on Jun. 26, 2015, now Pat. No. Des. 751,253.
- (51) **LOC (10) Cl.** **28-03**
- (52) **U.S. Cl.**
USPC **D28/58**; D28/59; D28/44.1; D24/133
- (58) **Field of Classification Search**
USPC D28/56, 57, 58, 59, 44.1; D24/133, 147
CPC A45D 29/14; A45D 29/05; A45D 29/00;
A45D 44/00; A45D 2200/1054; A61B
2017/320004; A61B 17/54
See application file for complete search history.

(57) **CLAIM**

The ornamental design for a dual head pedicure device, as shown and described.

DESCRIPTION

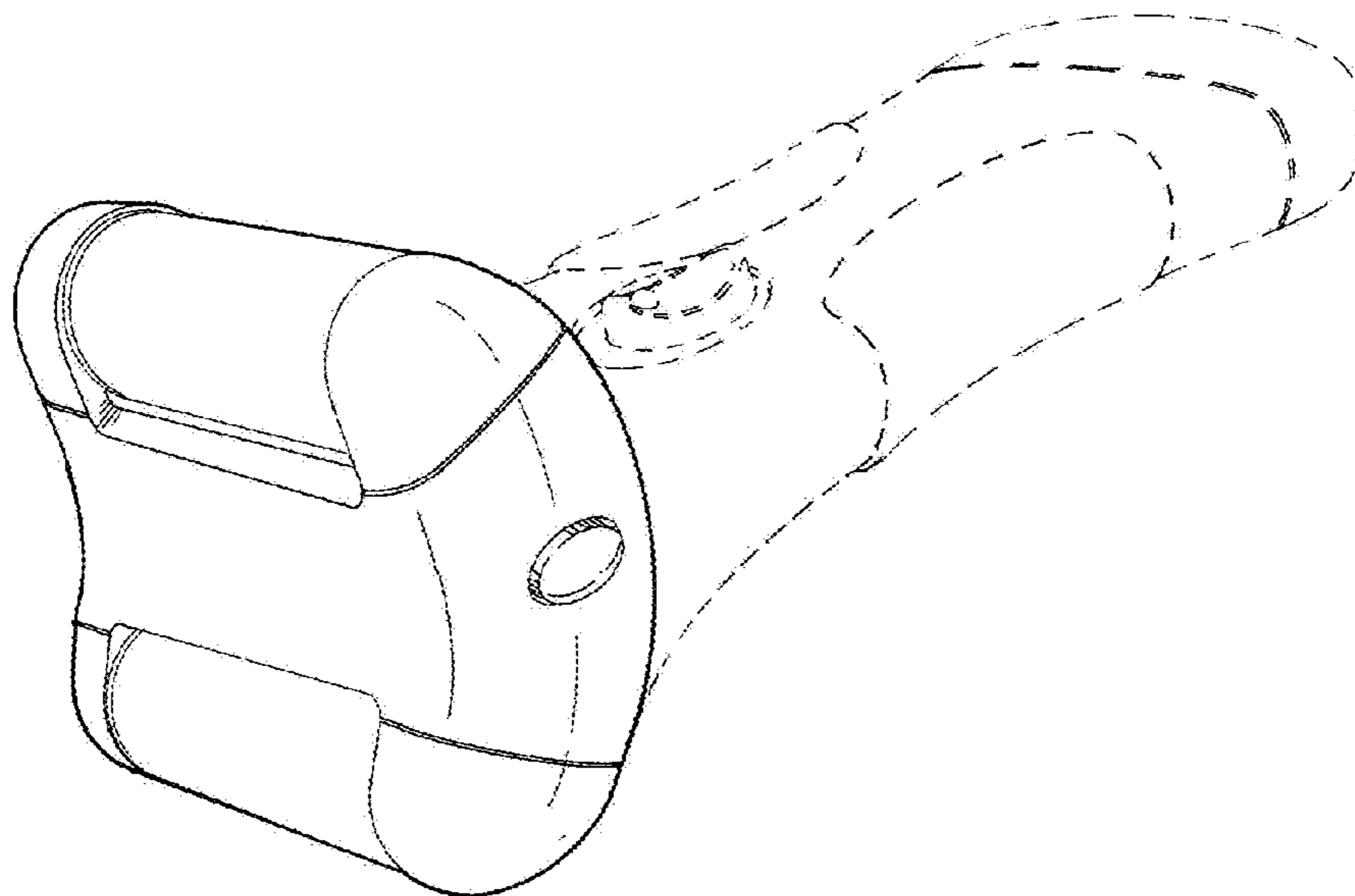
FIG. 1 is a front, left, top perspective view of a dual head pedicure device showing my design therefor;
FIG. 2 is a front elevational view thereof;
FIG. 3 is a rear elevational view thereof;
FIG. 4 is a right side elevational view thereof;
FIG. 5 is a top plan view thereof; and,
FIG. 6 is a bottom plan view thereof.
The broken lines illustrate portions of the device and form no part of the claimed design.

1 Claim, 6 Drawing Sheets

(56) **References Cited**

U.S. PATENT DOCUMENTS

D676,200 S *	2/2013	Yiu	D24/133
D678,614 S *	3/2013	Yiu	D24/133
D681,277 S *	4/2013	Yiu	D28/49



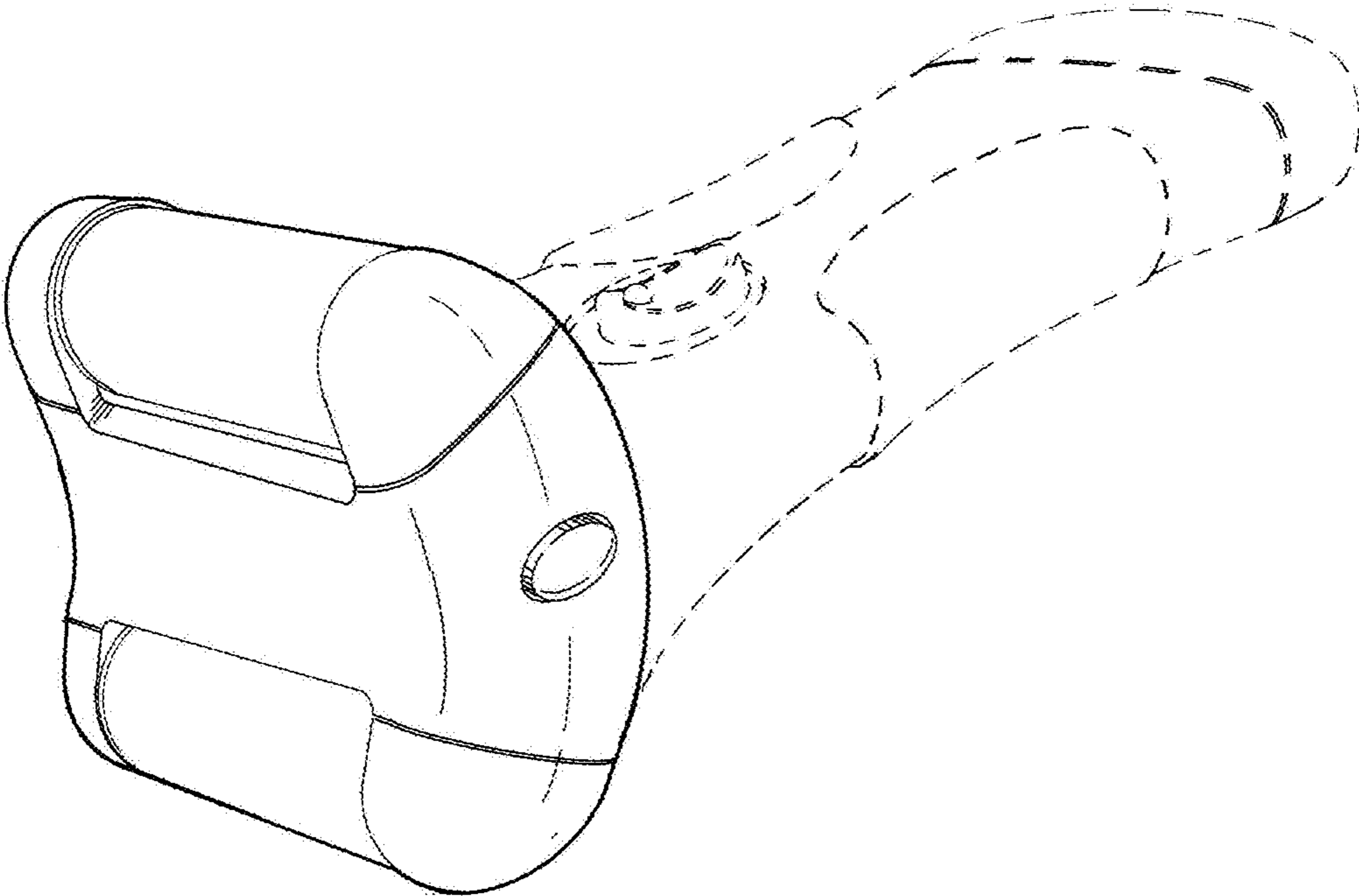


Fig. 1

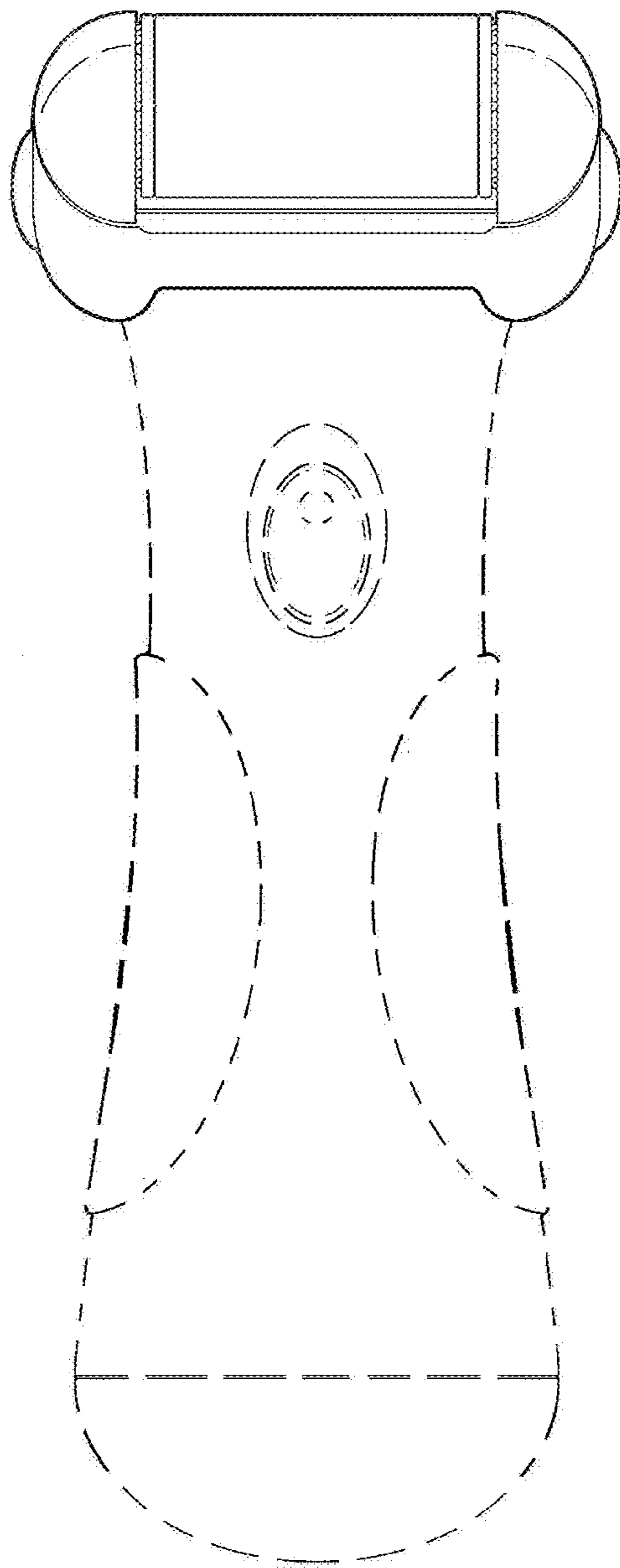


Fig. 2

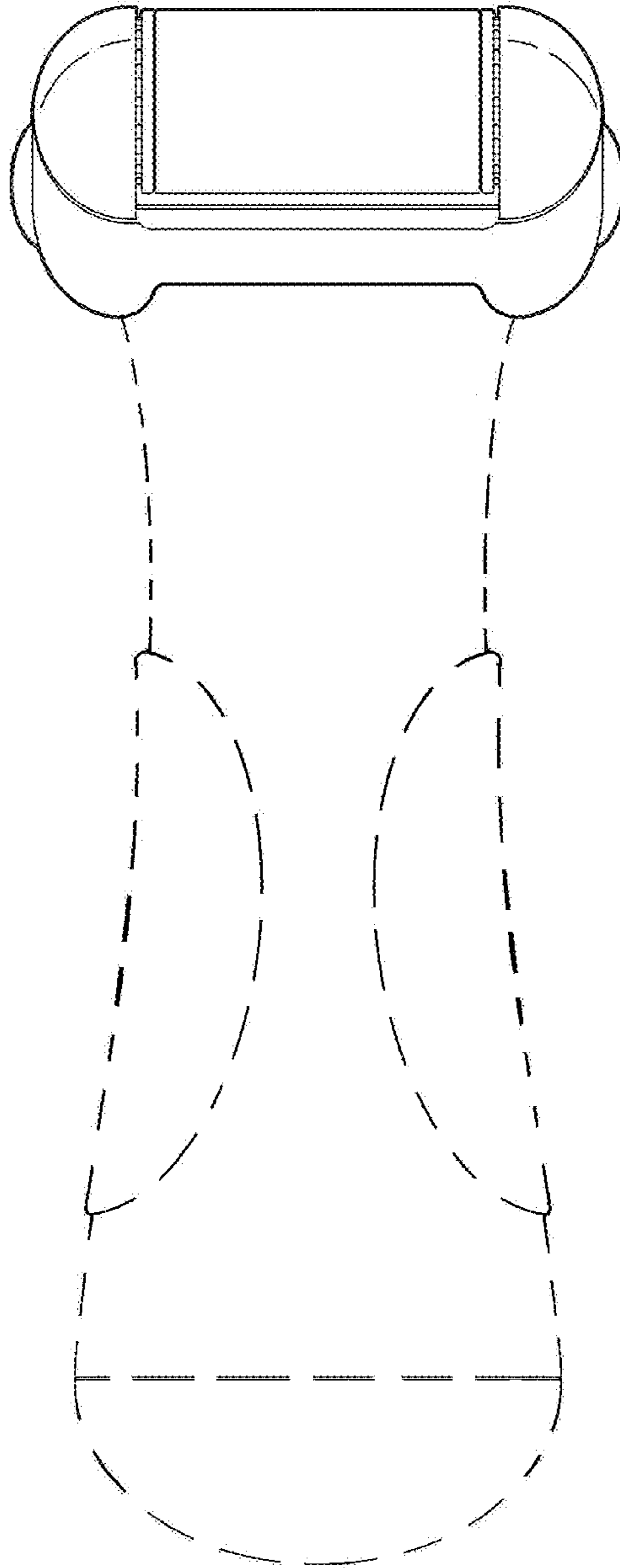


Fig. 3

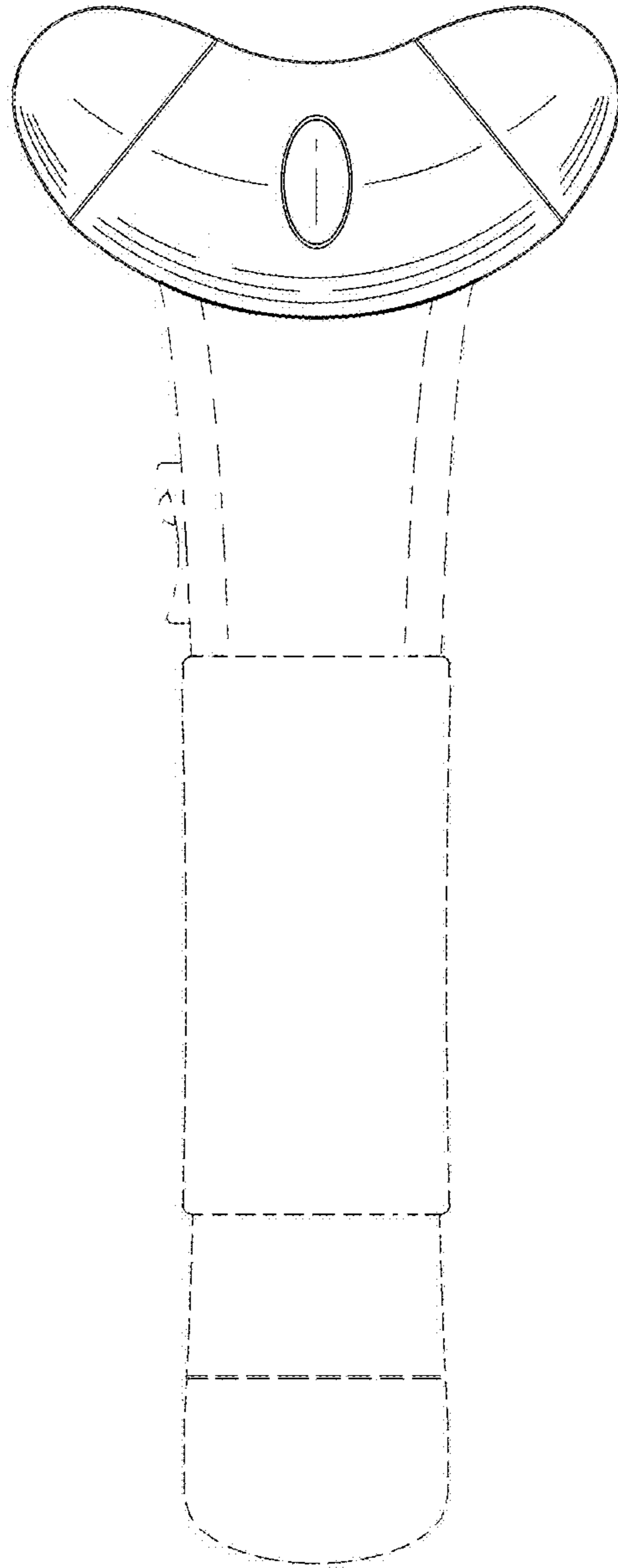


Fig. 4

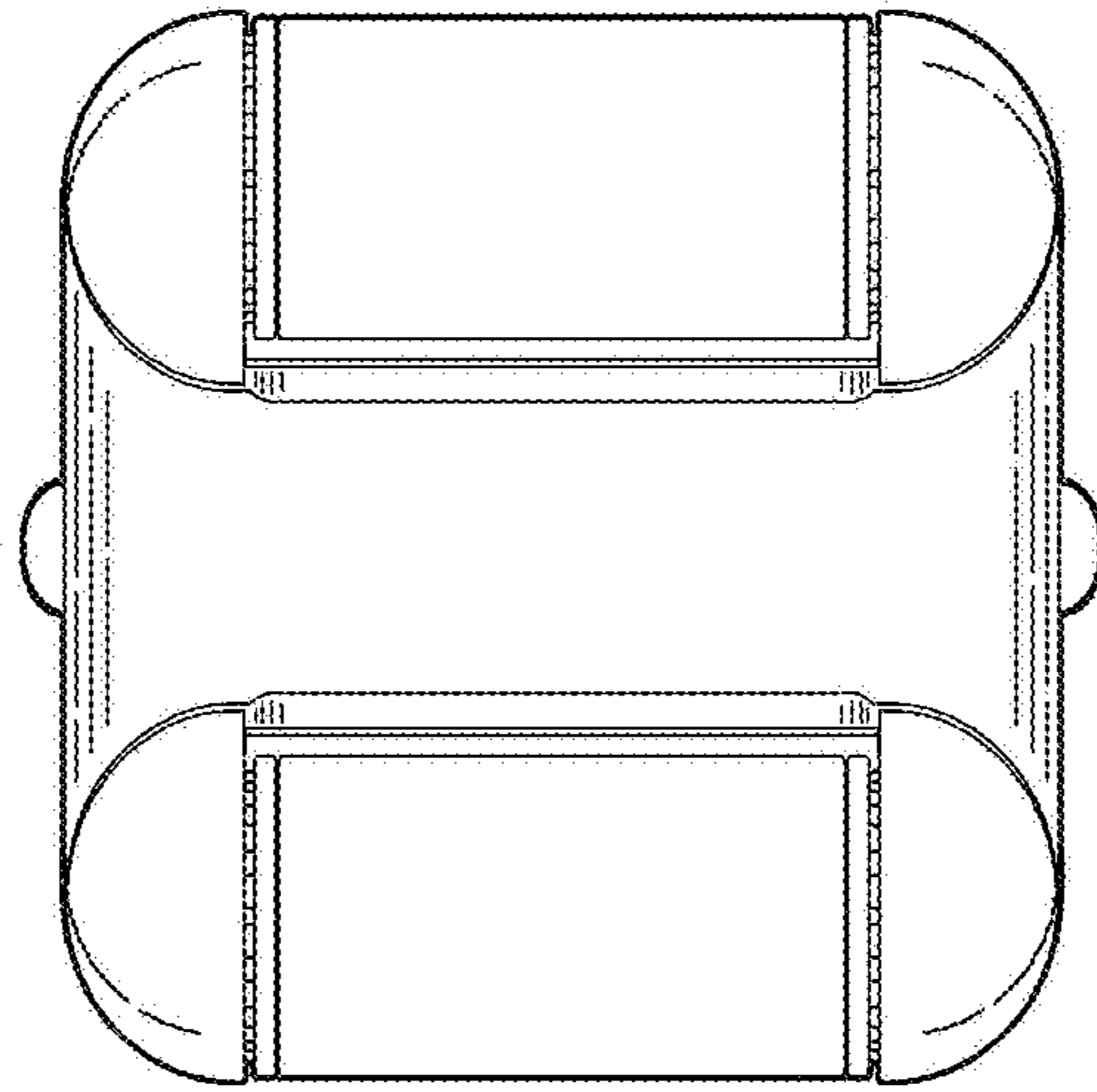


Fig. 5

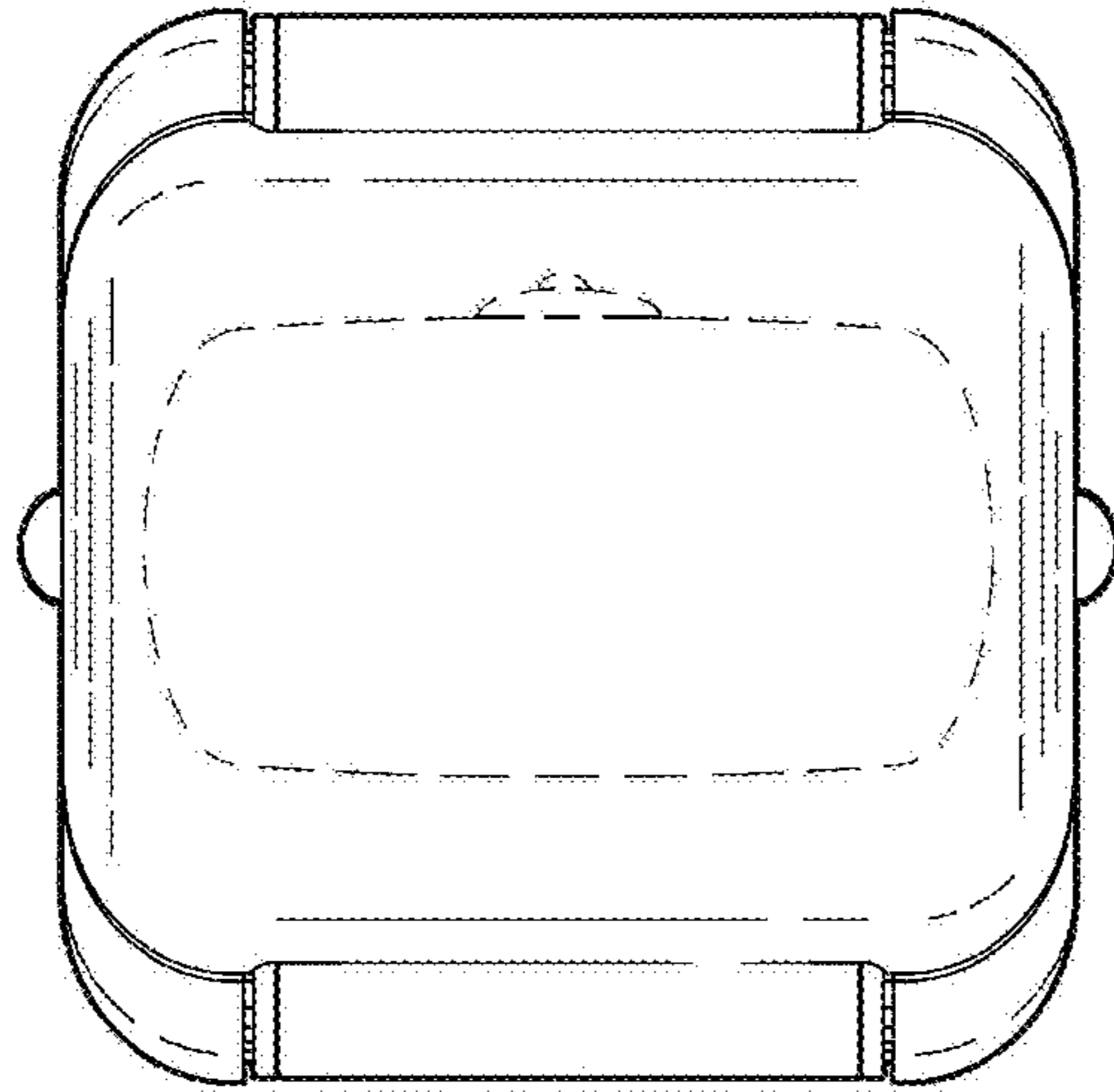


Fig. 6