



US00D761488S

(12) **United States Design Patent**
Alarcon et al.

(10) **Patent No.:** **US D761,488 S**
(45) **Date of Patent:** **** Jul. 12, 2016**

- (54) **ASHLESS TRAY**
- (71) Applicant: **LOEC, Inc.**, Greensboro, NC (US)
- (72) Inventors: **Ramon Alarcon**, Campbell, CA (US);
Dennis Rasmussen, Campbell, CA (US)
- (73) Assignee: **FONTEM HOLDINGS 4 B.V.**,
Amsterdam (NL)
- (**) Term: **14 Years**
- (21) Appl. No.: **29/469,658**
- (22) Filed: **Oct. 11, 2013**
- (51) **LOC (10) Cl.** **27-06**
- (52) **U.S. Cl.**
USPC **D27/183; D27/135**
- (58) **Field of Classification Search**
USPC D27/102–103, 109, 111–112, 124–126,
D27/128, 129–130, 133–138, 142–144, 161,
D27/167, 172, 181, 194–196, 182, 183;
D8/1, 77; D7/387, 399, 682, 584, 587;
131/177, 184.1, 235.1, 238, 240.1,
131/243, 247, 256, 258; D9/428;
D19/81–86
CPC A24F 23/04; A24F 9/02; A24F 19/00;
A24F 19/0014; A24F 19/0028; A24F 19/025;
A24F 19/0035; A24F 15/08; A24F 19/10;
A24F 19/14; A24F 13/18; A24F 19/0071;
A24F 19/0078; A24F 19/0085; A24F 19/02
See application file for complete search history.

(56) **References Cited**

U.S. PATENT DOCUMENTS

D62,520 S *	6/1923	Forbes	D27/128
D64,419 S *	4/1924	Robert	D27/129
D65,259 S *	7/1924	Fisher	D27/129
D101,527 S *	10/1936	Givago	D27/129
D136,062 S *	7/1943	Sosman	D27/182

D155,630 S *	10/1949	Robbins	D27/134
D160,287 S *	9/1950	Wagner	D27/127
2,565,864 A *	8/1951	Lindsey	131/260
D184,031 S *	12/1958	Steinberg	D19/84
D186,701 S *	11/1959	Bunn	D19/83
D186,702 S *	11/1959	Bunn	D19/84
D191,254 S *	8/1961	Barron	D27/128
D253,725 S *	12/1979	Martin et al.	D27/183
D359,308 S *	6/1995	Stoudt	D19/82
D396,247 S *	7/1998	Carlson et al.	D19/86
5,839,712 A *	11/1998	Wang	248/316.2
D403,104 S *	12/1998	Ries	D27/102
D437,084 S *	1/2001	Conrado et al.	D27/102
D453,052 S *	1/2002	Hsu	D27/135
D454,656 S *	3/2002	Berset et al.	D27/102
D525,306 S *	7/2006	Hirota	D19/84
D551,299 S *	9/2007	Paslawski	D19/84
D570,416 S *	6/2008	Hackenberg et al.	D19/83
D643,879 S *	8/2011	Rashid	D19/86

* cited by examiner

Primary Examiner — Susan Bennett Hattan

Assistant Examiner — Janice Hallmark

(74) *Attorney, Agent, or Firm* — Dykema Gossett PLLC

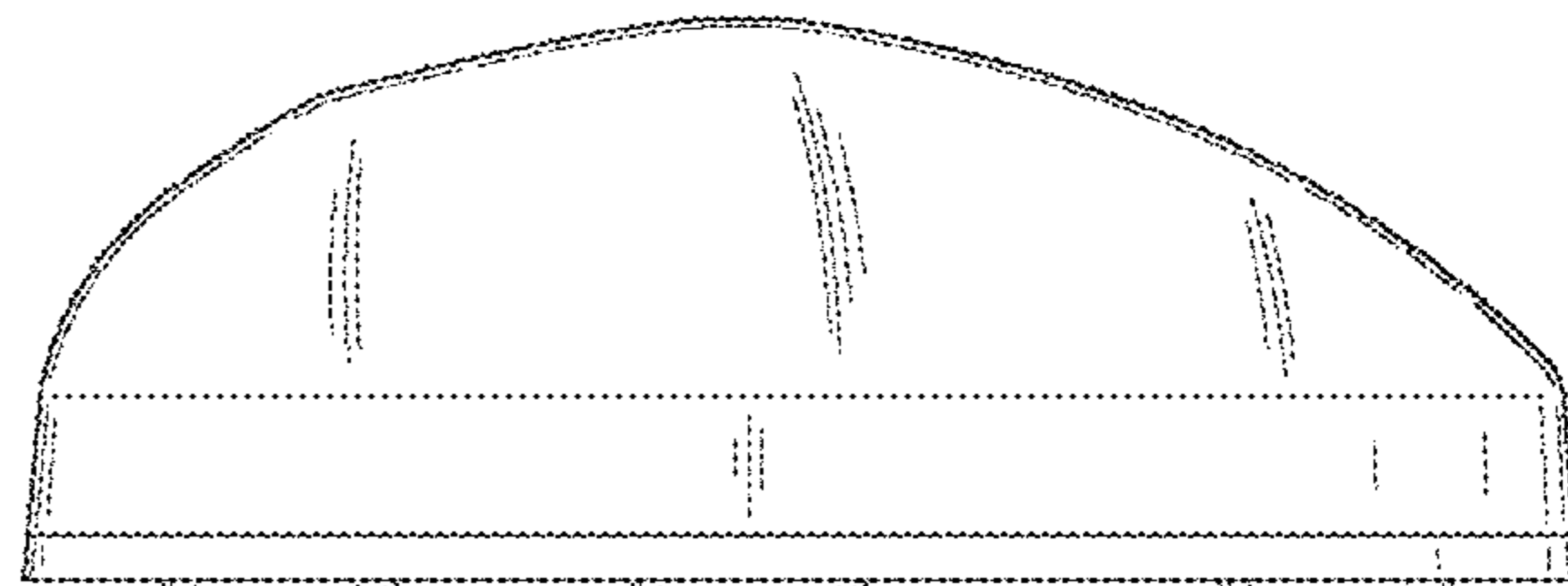
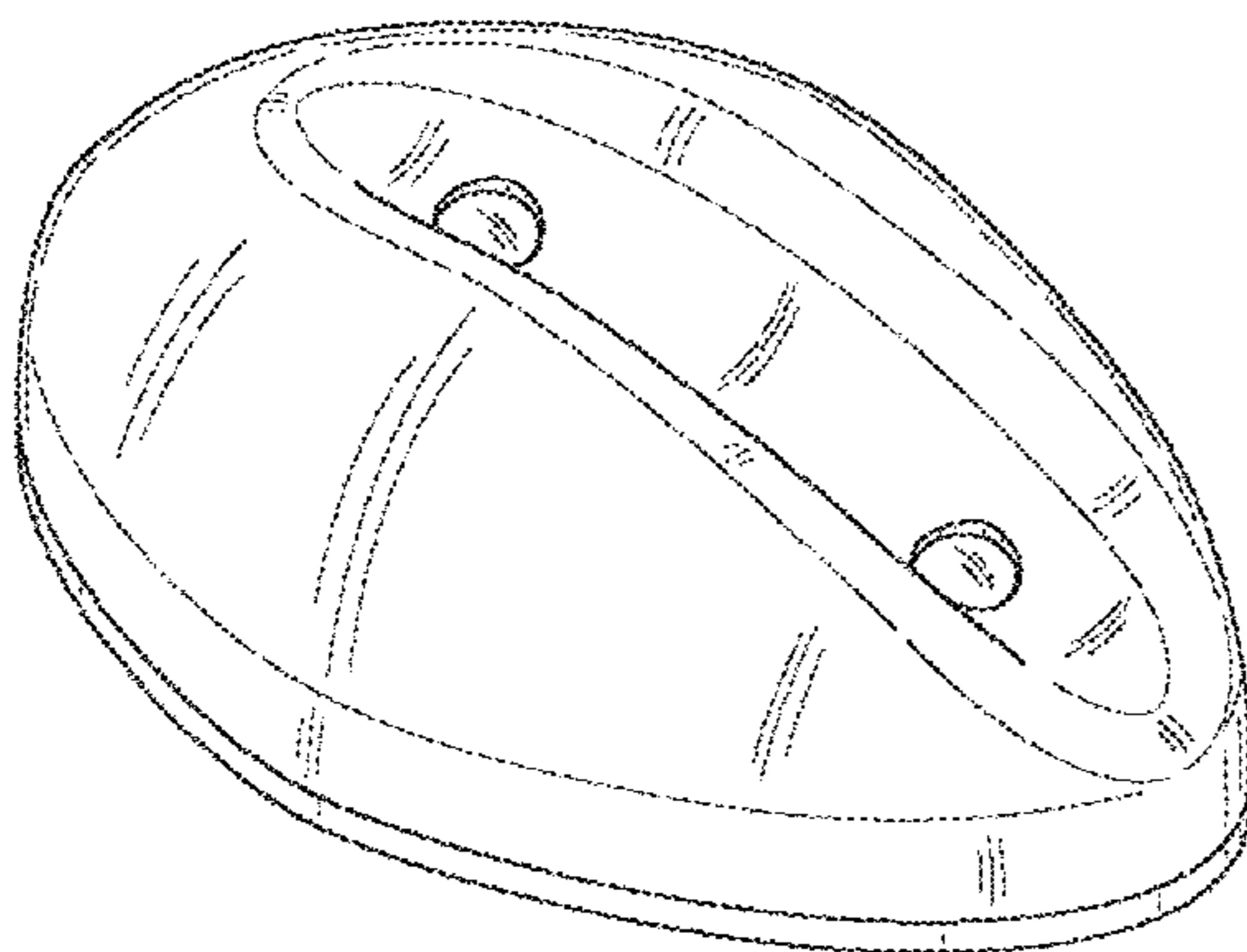
(57) **CLAIM**

The ornamental design for an ashless tray, as shown and described.

DESCRIPTION

FIG. 1 is an isometric view of the ashless tray showing our new design;
 FIG. 2 is a left side elevational view thereof;
 FIG. 3 is a right side elevational view thereof;
 FIG. 4 is a front elevational view thereof;
 FIG. 5 is a rear elevational view thereof;
 FIG. 6 is a top view thereof; and,
 FIG. 7 is a bottom view thereof.
 The broken lines in the drawings depict parts of the ashless tray that form no part of the claimed design.

1 Claim, 4 Drawing Sheets



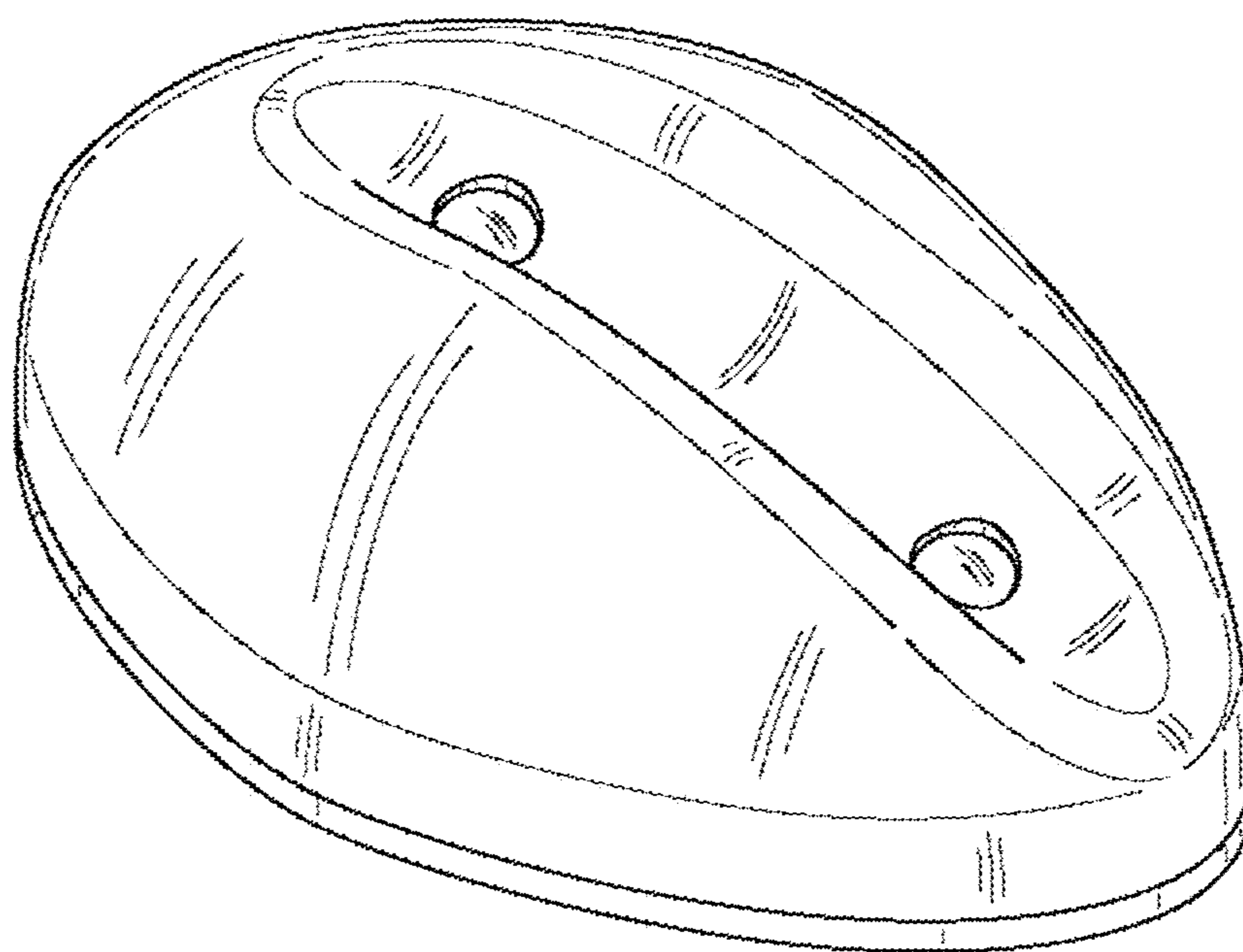


FIG. 1

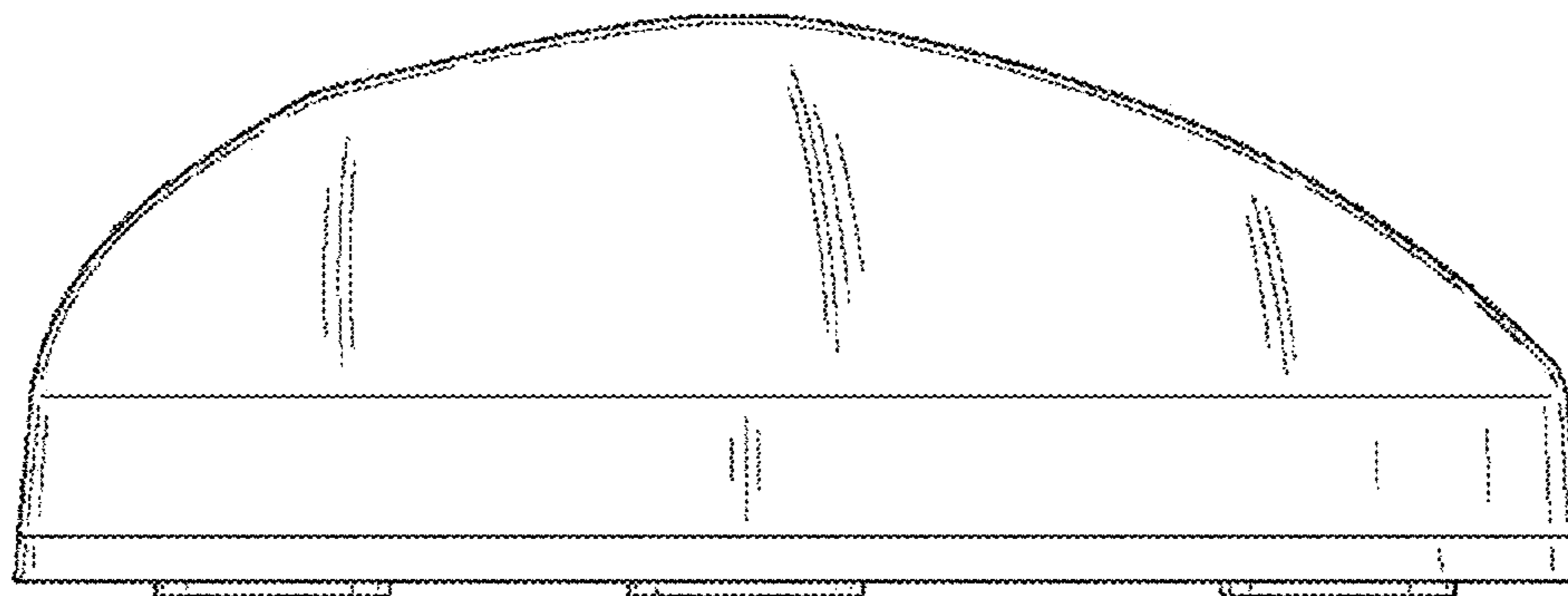


FIG. 2

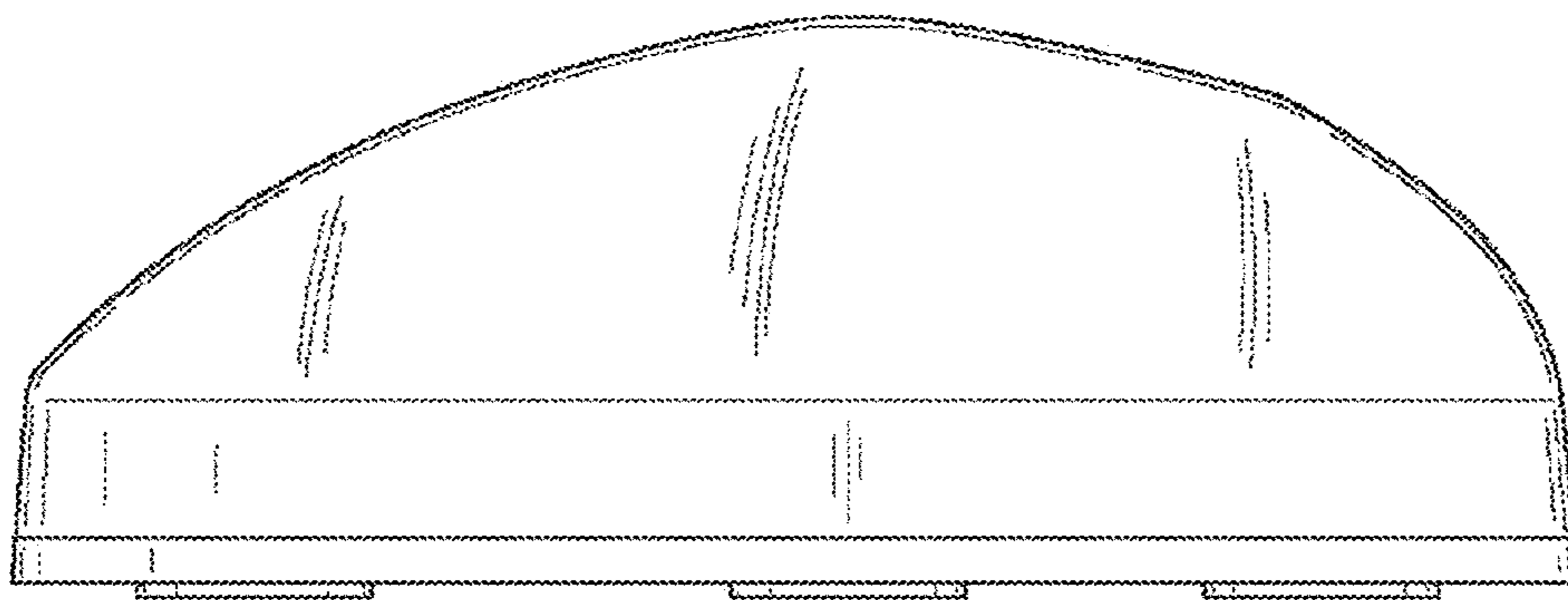


FIG. 3

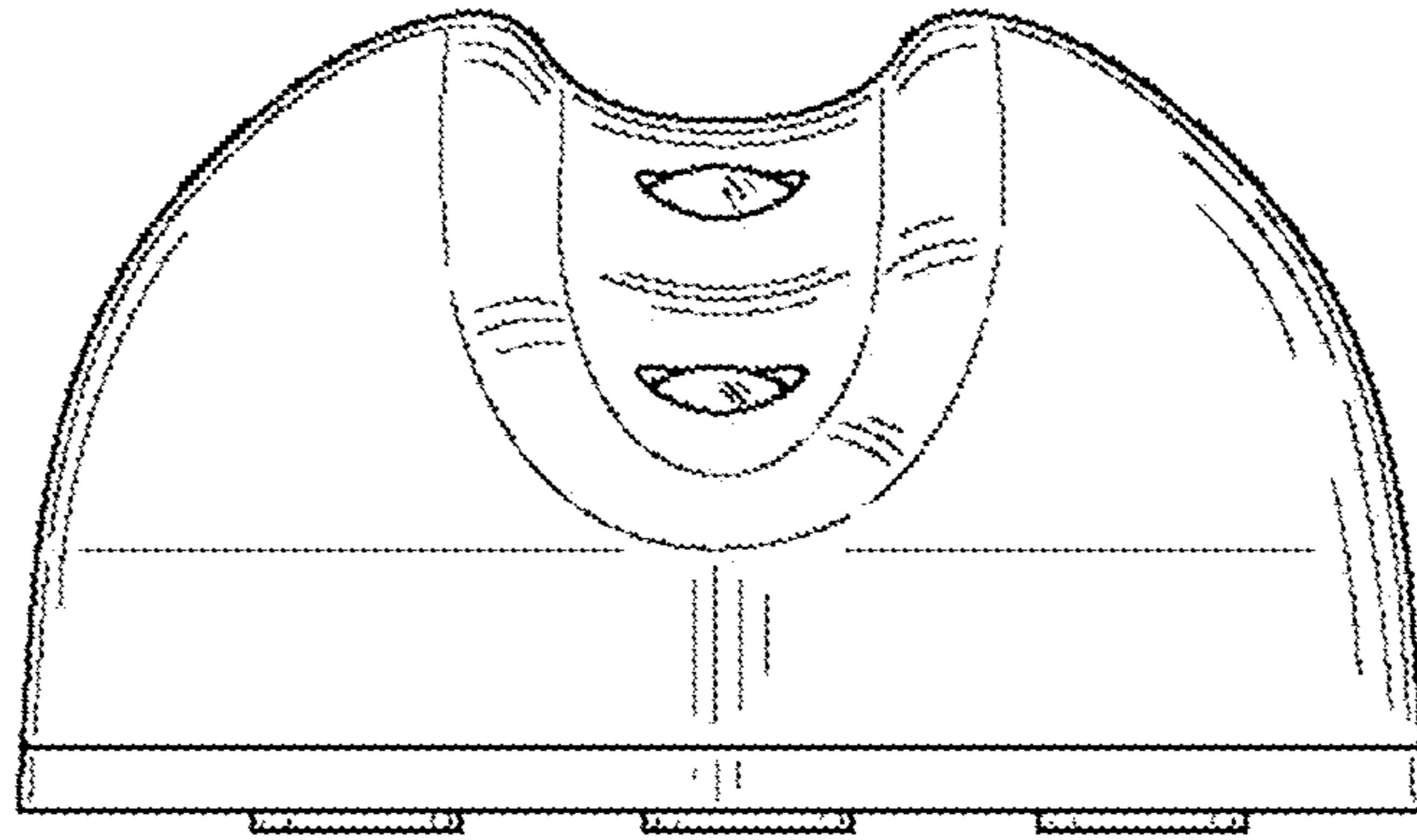


FIG. 4

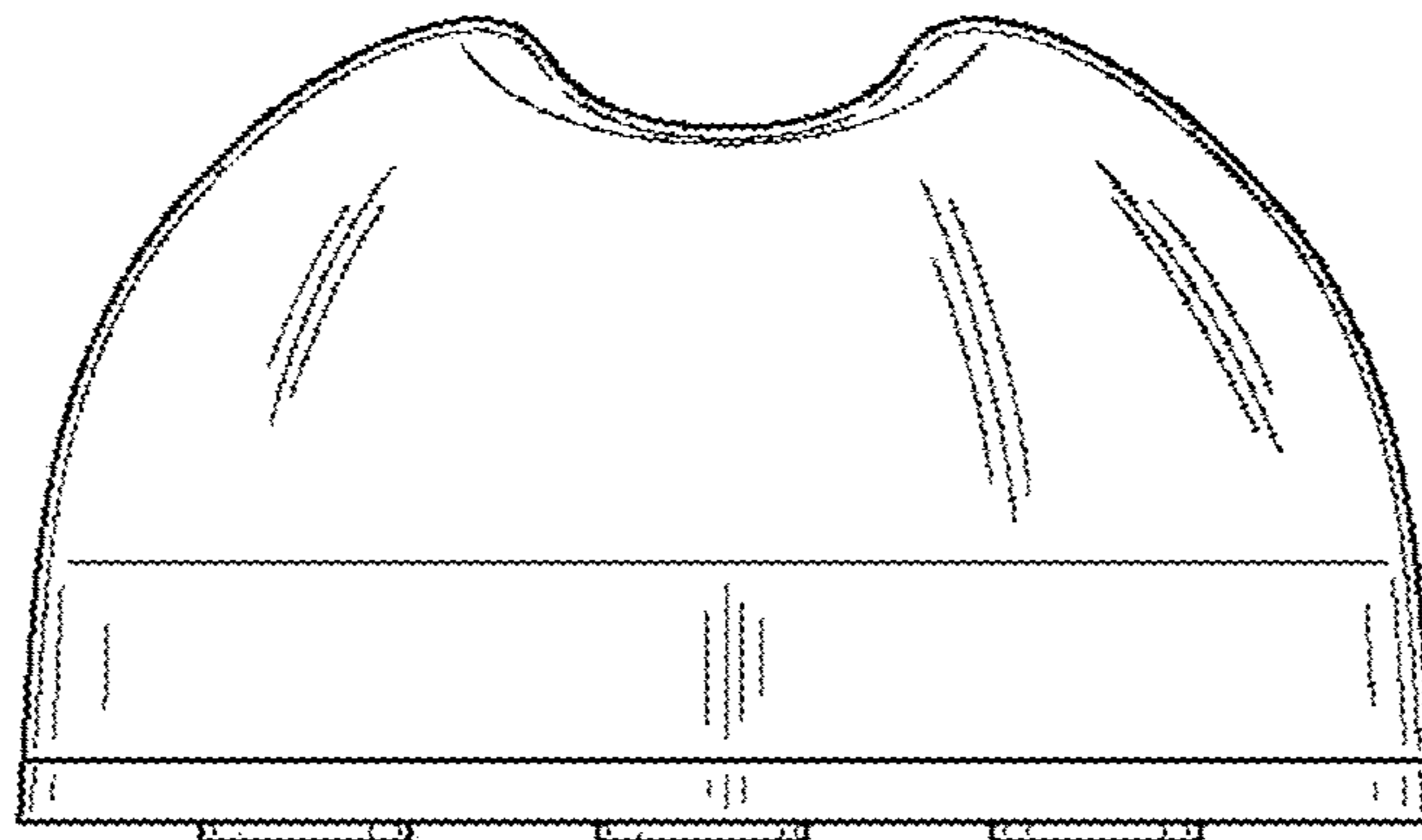


FIG. 5

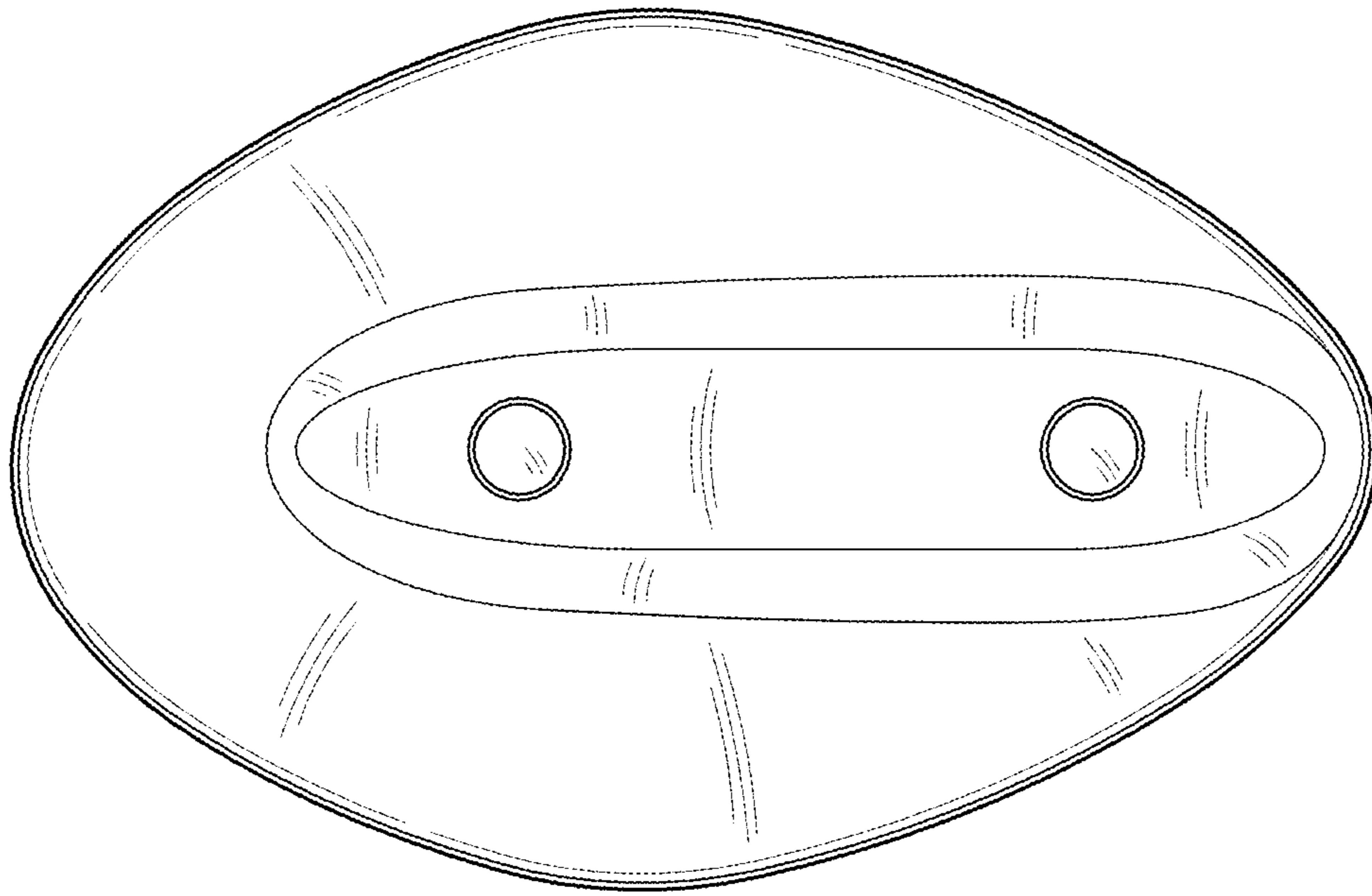


FIG. 6

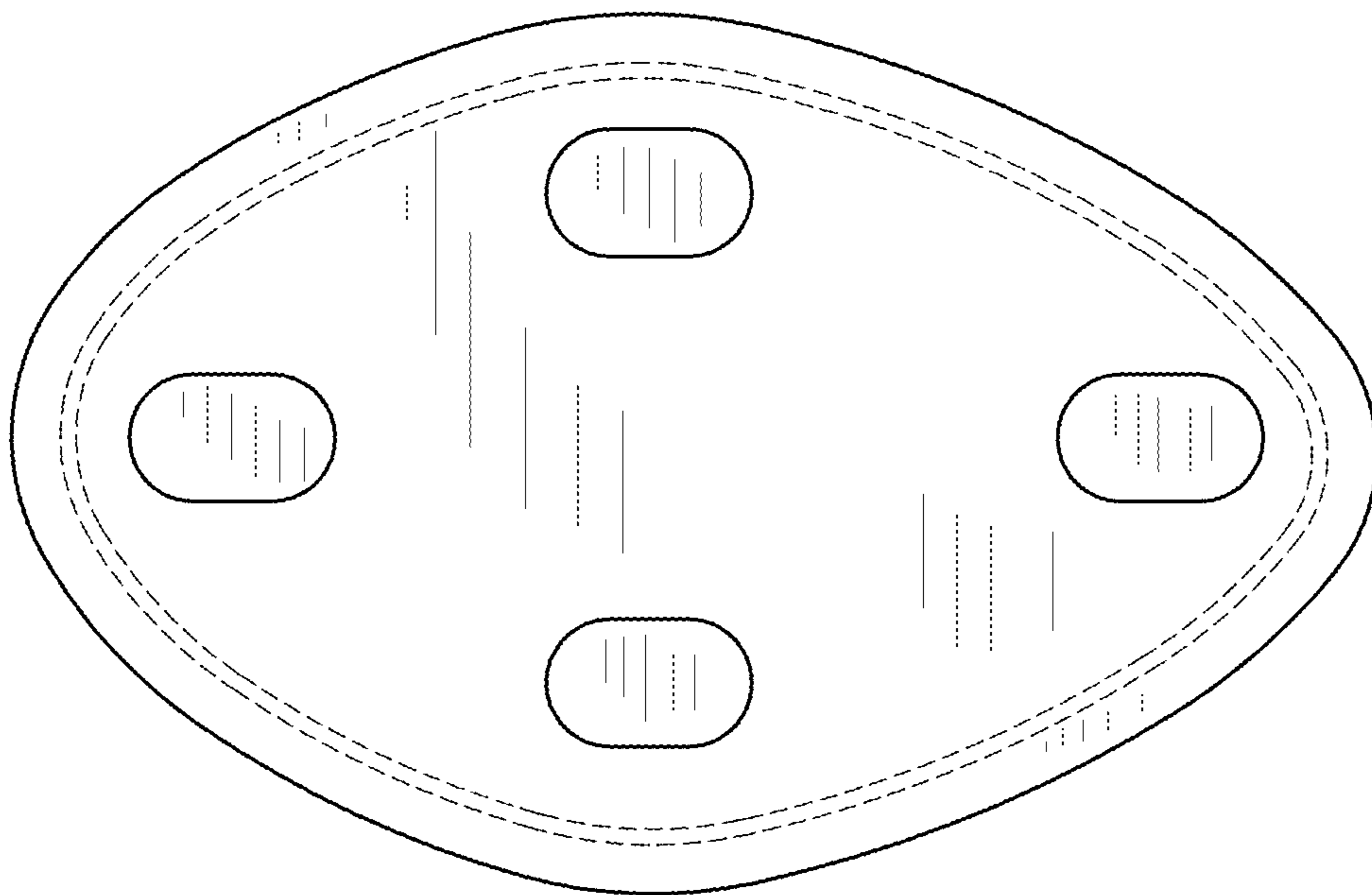


FIG. 7