

US00D761487S

(12) **United States Design Patent**
Han

(10) **Patent No.:** **US D761,487 S**
(45) **Date of Patent:** **** Jul. 12, 2016**

(54) **SMOKING DEVICE**

(71) Applicant: **Jeffrey Han**, Los Altos Hills, CA (US)

(72) Inventor: **Jeffrey Han**, Los Altos Hills, CA (US)

(**) Term: **14 Years**

(21) Appl. No.: **29/517,898**

(22) Filed: **Feb. 18, 2015**

(51) **LOC (10) Cl.** **27-02**

(52) **U.S. Cl.**
USPC **D27/162**

(58) **Field of Classification Search**
USPC D27/100, 101, 106, 162, 163, 165, 166,
D27/167, 177, 183-194; D9/432, 451, 452,
D9/502, 537, 556, 565, 643, 648, 661, 662,
D9/713, 714, 721; D7/550.1, 552.2, 553.6;
D24/110, 215; 131/178, 179, 191, 211,
131/222, 242.6, 260, 273, 329, 330, 358,
131/360, 367; 209/397, 399
CPC A24F 1/26; A24F 1/30; A24F 3/00;
A24F 7/00; A24F 9/16; A24F 13/00; A24F
13/08; A24F 13/16; A24F 15/00; A24F 23/00;
A24F 23/02; A24F 47/00; A24F 47/002;
A24F 47/008

See application file for complete search history.

(56) **References Cited**

U.S. PATENT DOCUMENTS

1,505,589	A *	8/1924	De Nicola	F21V 35/00 431/290
2,697,927	A *	12/1954	Ferdman	F21V 35/00 431/290
D267,886	S *	2/1983	Albertini	D19/163
D411,510	S *	6/1999	Wells, Sr.	D13/119
D496,398	S *	9/2004	Greenberg	D19/163
D652,571	S *	1/2012	Shenassa	D27/163
D709,751	S *	7/2014	Wu	D8/85
D722,721	S *	2/2015	Ross	D27/167
D722,722	S *	2/2015	Ross	D27/167
2011/0226266	A1 *	9/2011	Tao	A24F 3/00 131/185

* cited by examiner

Primary Examiner — Rosemary K Tarcza
Assistant Examiner — Christy Nemeth

(57) **CLAIM**
The ornamental design for a smoking device, as shown and described.

DESCRIPTION

FIG. 1 is a front perspective view of a smoking device;
FIG. 2 is a front view thereof;
FIG. 3 is a rear view thereof;
FIG. 4 is a left side view thereof;
FIG. 5 is a right side view thereof;
FIG. 6 is a top view thereof; and,
FIG. 7 is a bottom view thereof.
The broken lines shown in the drawings are included for the purpose of illustrating portions of the smoking device which form no part of the claimed design.

1 Claim, 3 Drawing Sheets

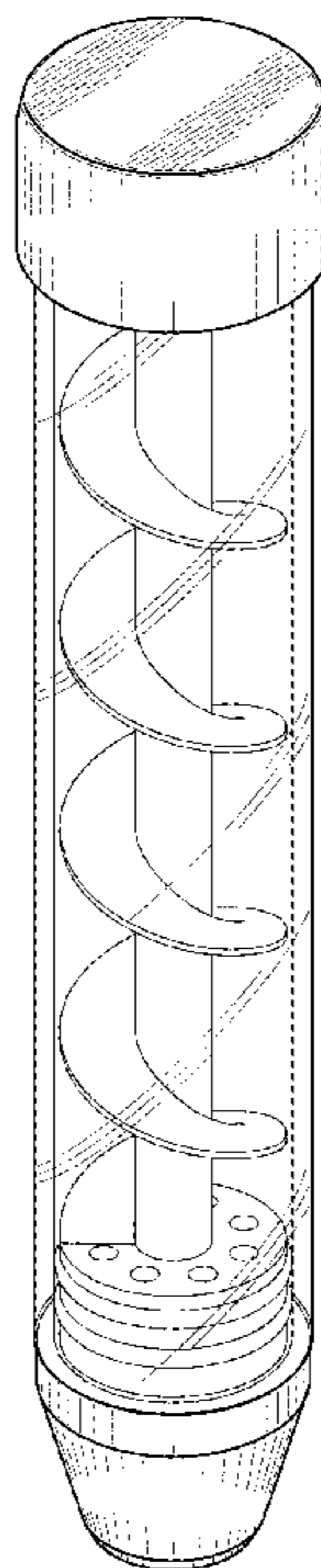


FIG. 1

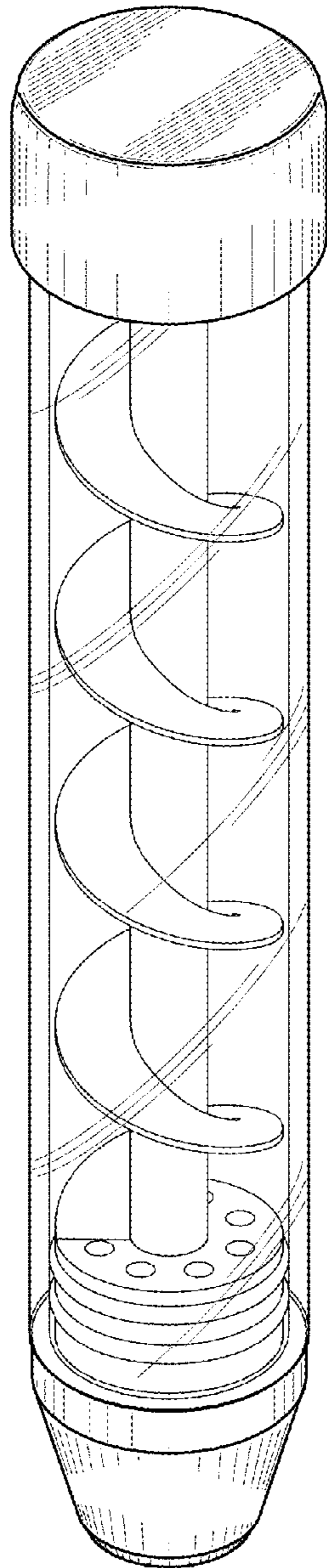
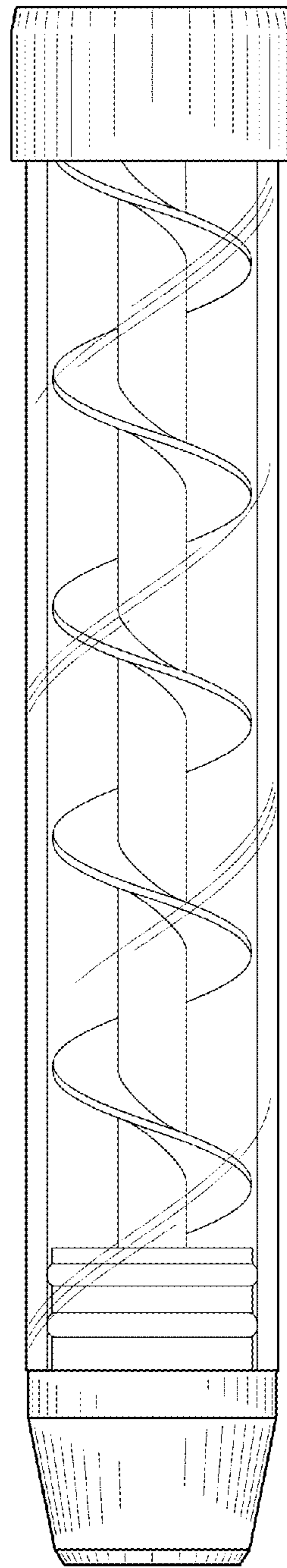


FIG. 2



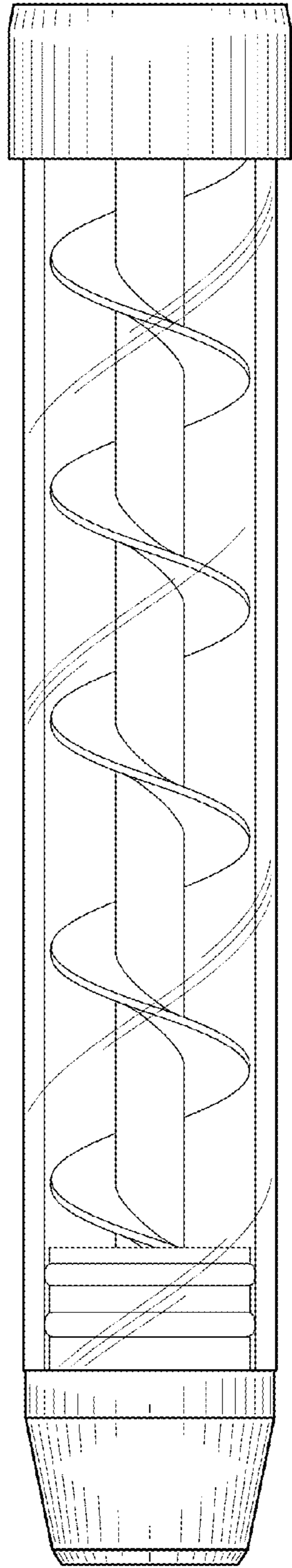


FIG. 3

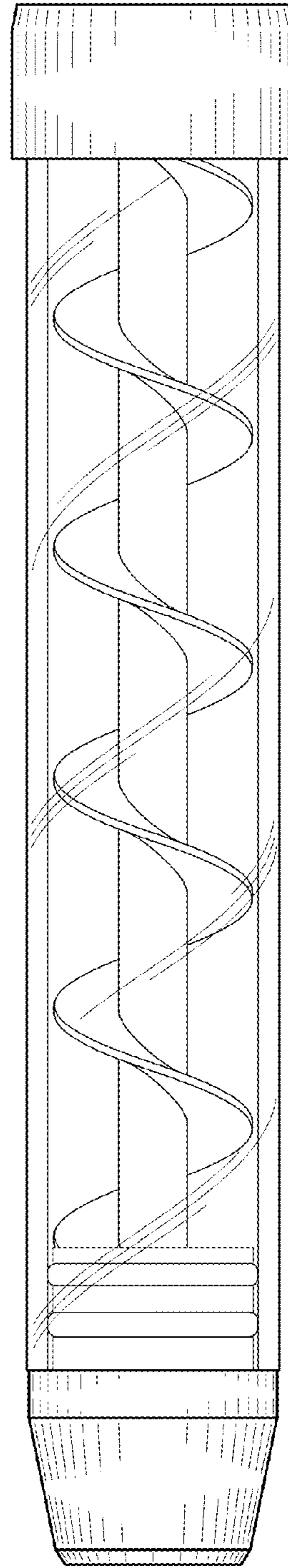


FIG. 4

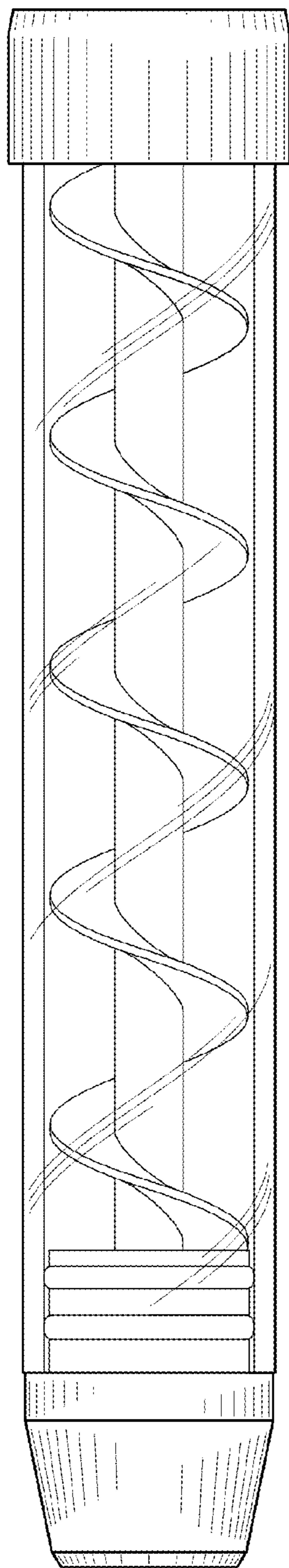


FIG. 5

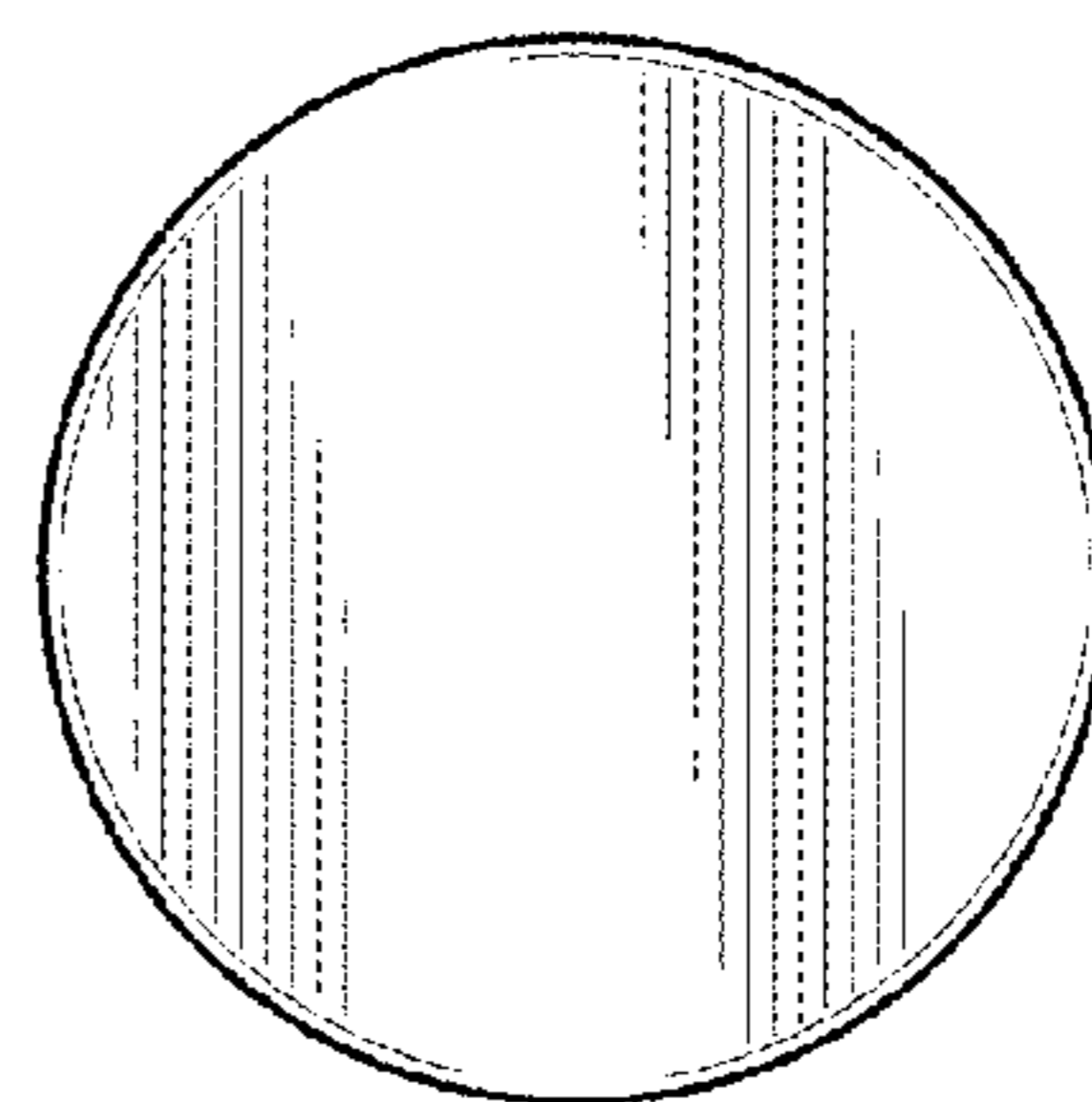


FIG. 6

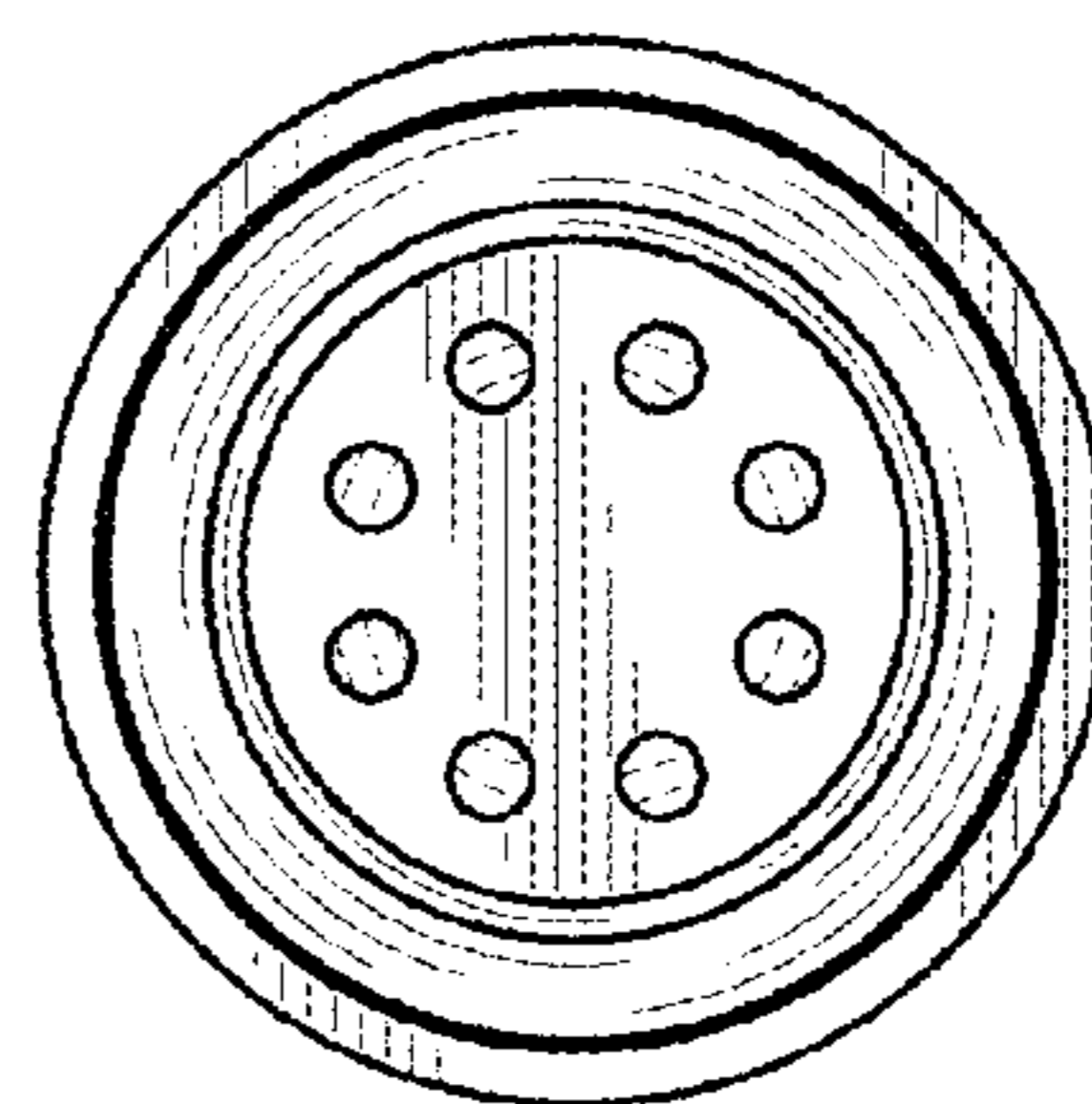


FIG. 7