

US00D761485S

(12) **United States Design Patent**
Gerardo

(10) **Patent No.:** **US D761,485 S**
(45) **Date of Patent:** **** Jul. 12, 2016**

(54) **COMPACT MULTI-FUNCTION LED LIGHTHEAD**

(71) Applicant: **Whelen Engineering Company, Inc.**,
Chester, CT (US)

(72) Inventor: **Tony Gerardo**, Bristol, CT (US)

(73) Assignee: **Whelen Engineering Company, Inc.**,
Chester, CT (US)

(**) Term: **15 Years**

(21) Appl. No.: **29/536,999**

(22) Filed: **Aug. 21, 2015**

D376,214	S	*	12/1996	Pinchuk	D26/26
D411,635	S	*	6/1999	Phlipot	D26/28
6,431,728	B1	*	8/2002	Fredericks	B60Q 1/2696 362/249.03
D492,047	S	*	6/2004	Dohogne	D26/28
D517,229	S	*	3/2006	Wernimont	D26/31
D570,518	S	*	6/2008	Haimov	D26/119
D578,684	S	*	10/2008	Marquardt	D26/28
D660,491	S	*	5/2012	Holscher	D26/63
D701,982	S	*	4/2014	Kwon	D26/28
D722,187	S	*	2/2015	Gerardo	D26/28
D728,848	S	*	5/2015	Reyes	D26/118
2002/0163796	A1	*	11/2002	Dickie	H05B 33/02 362/84
2014/0268855	A1	*	9/2014	Gerardo	B60Q 1/2615 362/520
2015/0285462	A1	*	10/2015	Shimoda	F21S 4/008 362/218
2016/0040851	A1	*	2/2016	Shimoda	B60Q 1/24 362/235

Related U.S. Application Data

(62) Division of application No. 29/489,907, filed on May 5, 2014, now Pat. No. Des. 748,830.

(51) **LOC (10) Cl.** **26-99**

(52) **U.S. Cl.**
USPC **D26/118**

(58) **Field of Classification Search**
USPC D26/28-36, 39, 60-66, 72-74,
D26/118-121, 138-140, 142; 362/84, 341,
362/459-468, 473, 475-478, 485-487, 511,
362/520, 523, 538-542; D10/111, 113.4,
D10/114.1, 114.2, 114.3, 114.9, 115;
D12/187-189; D8/349-356, 363, 373,
D8/380, 381
CPC F21S 8/00; F21S 8/02; F21S 8/024;
F21S 8/03; F21S 8/031; F21V 29/00
See application file for complete search history.

(56) **References Cited**

U.S. PATENT DOCUMENTS

D123,761	S	*	12/1940	Pieper	D26/24
D300,865	S	*	4/1989	Belletire	D26/28
D324,111	S	*	2/1992	Arbisi	D26/28

* cited by examiner

Primary Examiner — Cynthia Ramirez

Assistant Examiner — Llorellys Martinez-Rivera

(74) *Attorney, Agent, or Firm* — Alix, Yale & Ristas, LLP

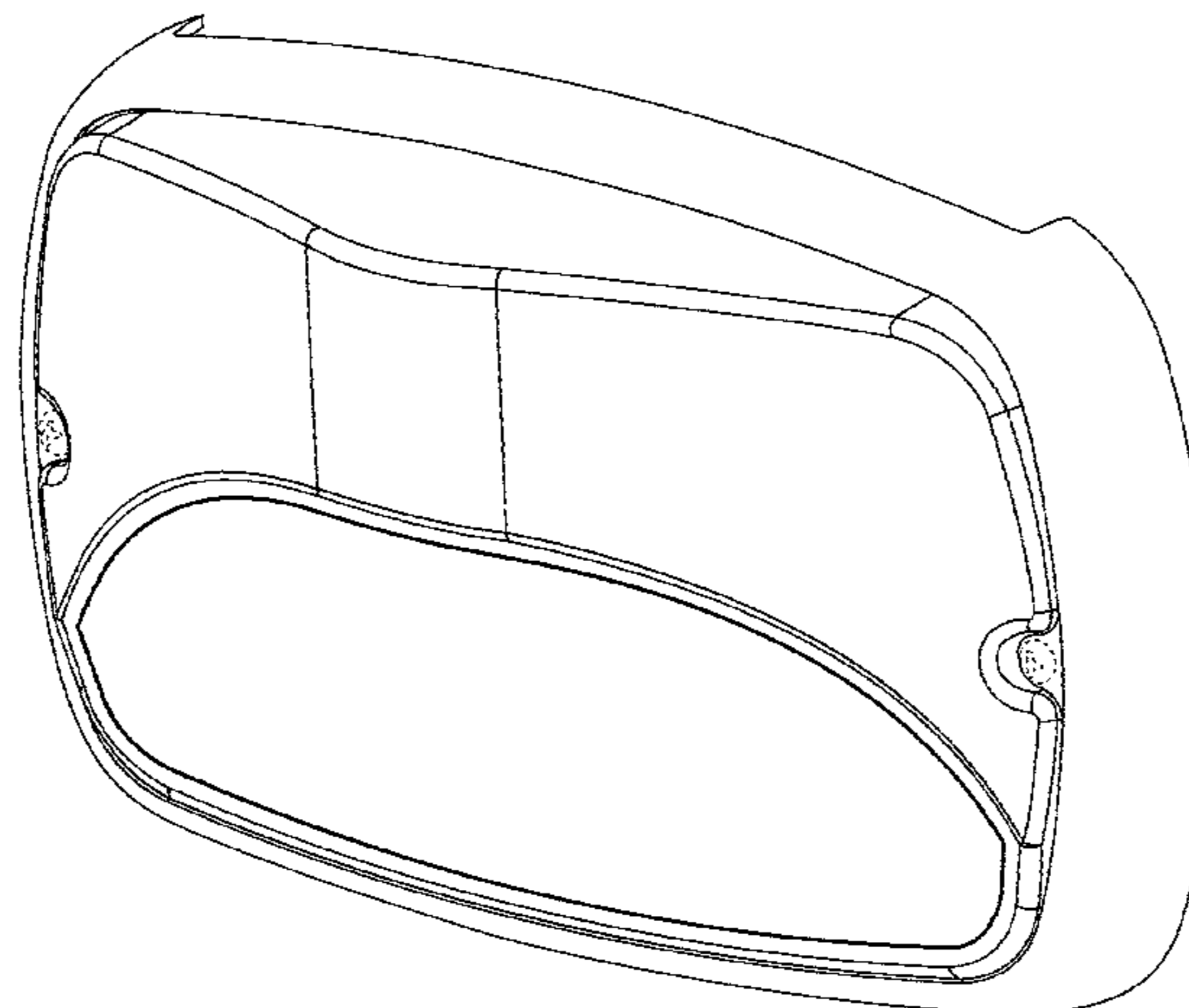
(57) **CLAIM**

The ornamental design for a compact multi-function LED lighthead, as shown and described.

DESCRIPTION

FIG. 1 is a top perspective view of a compact multi-function LED lighthead showing my new design; FIG. 2 is a bottom perspective view thereof; FIG. 3 is a front view thereof; FIG. 4 is a top plan view thereof; FIG. 5 is a bottom plan view thereof; and, FIG. 6 is a right side view thereof, the left side view being a mirror image thereof. The broken lines shown in FIGS. 1-6 illustrate portions of the compact multi-function LED lighthead that form no part of the claimed design.

1 Claim, 6 Drawing Sheets



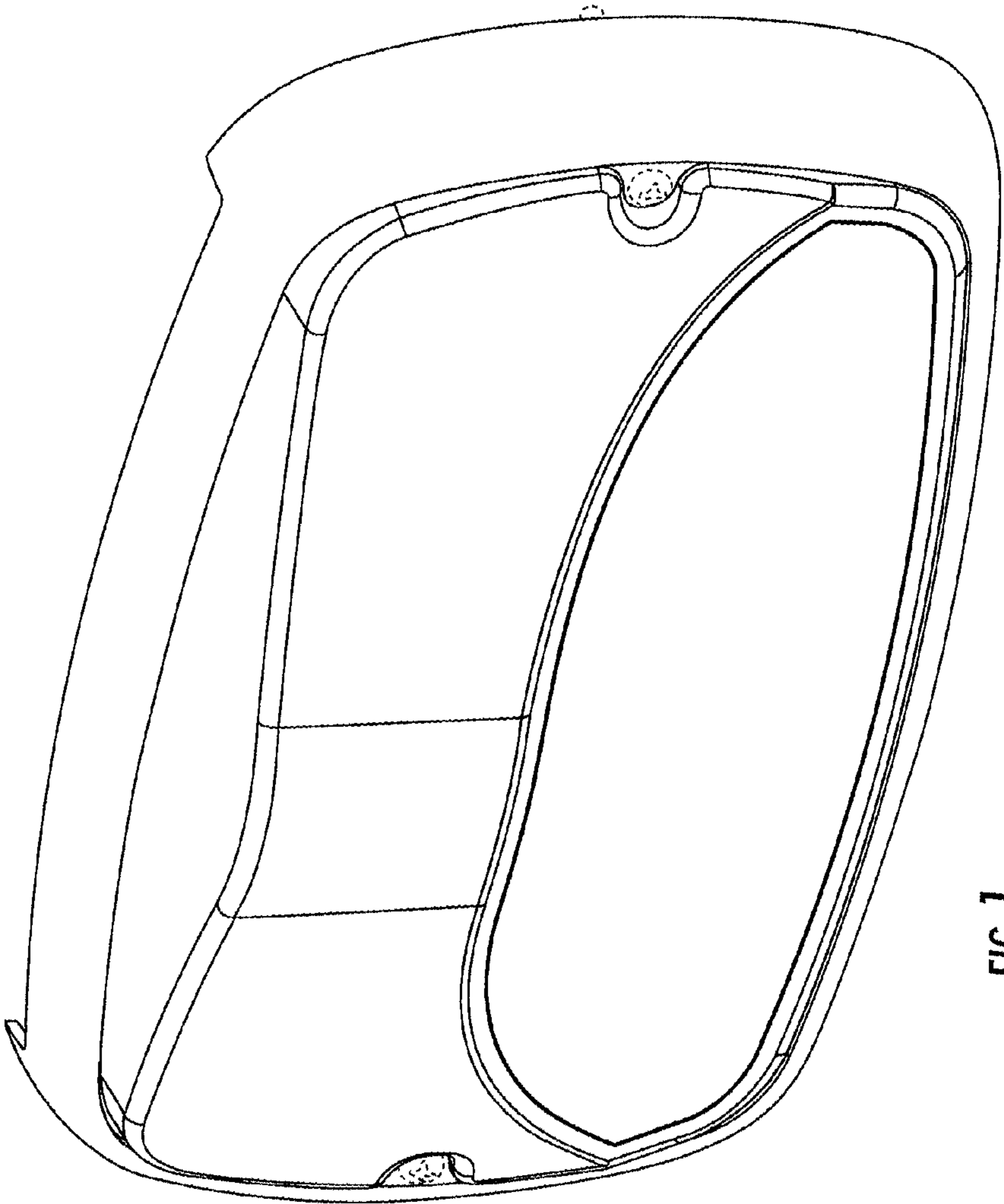


FIG. 1

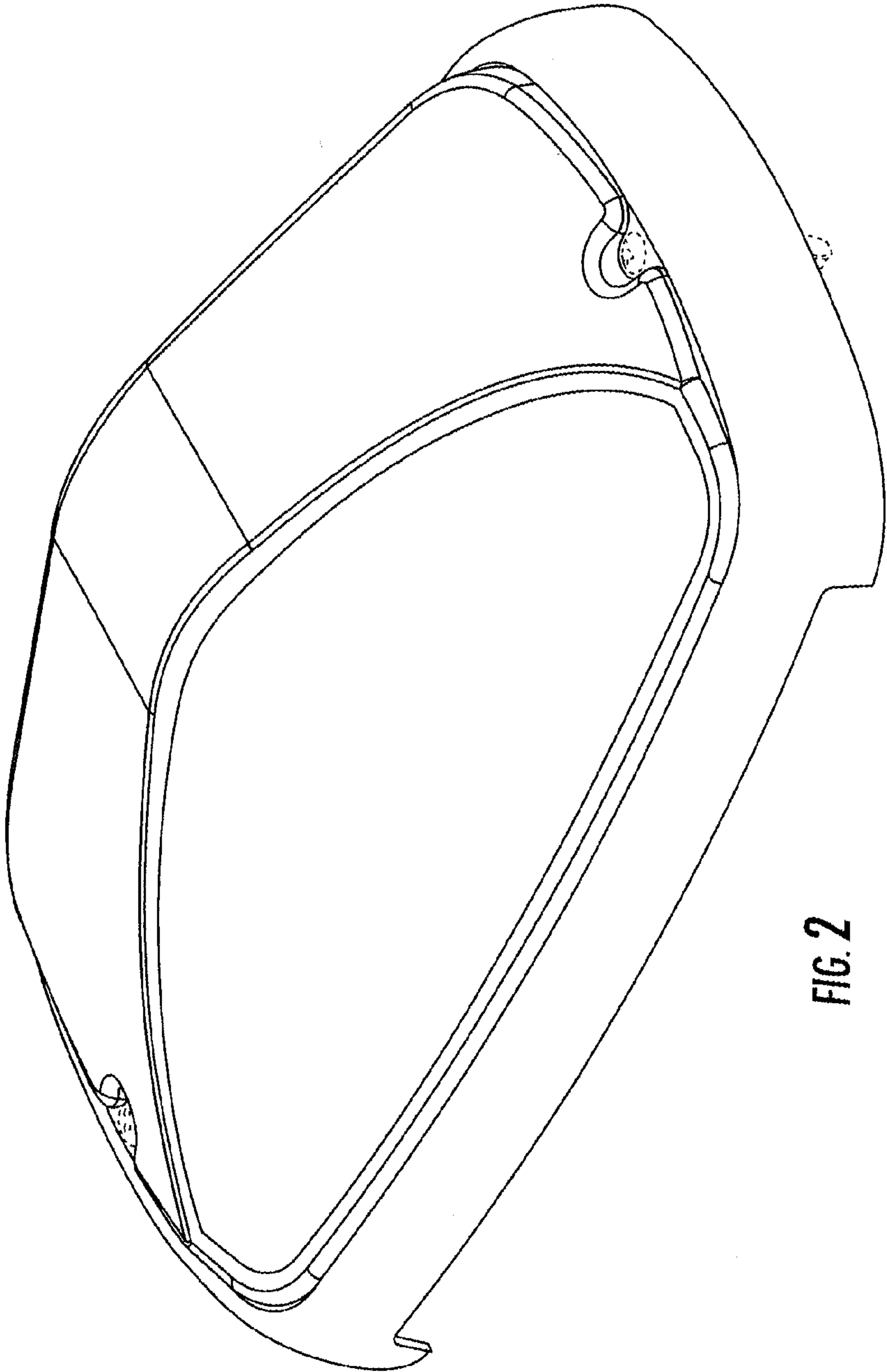


FIG. 2

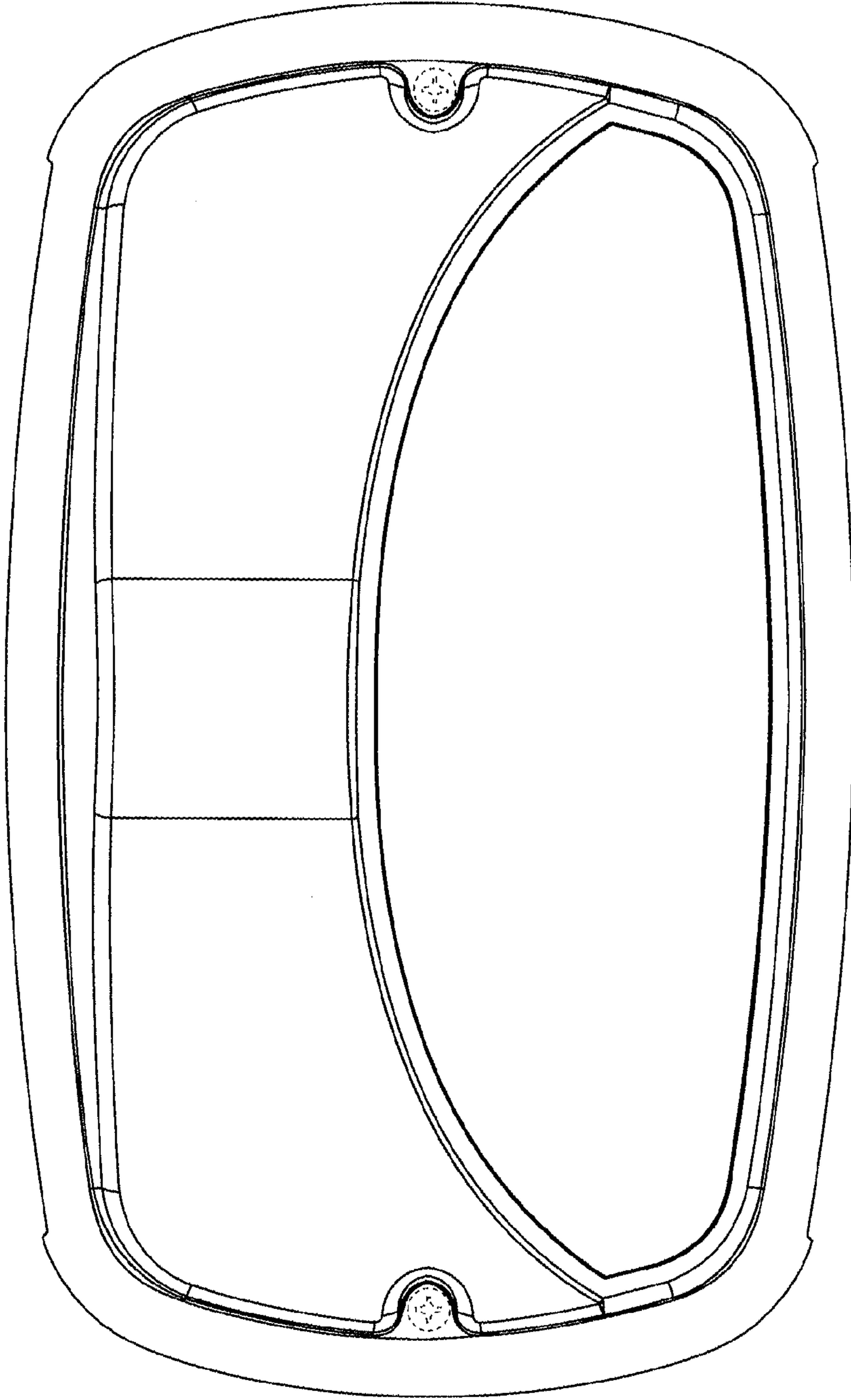


FIG. 3

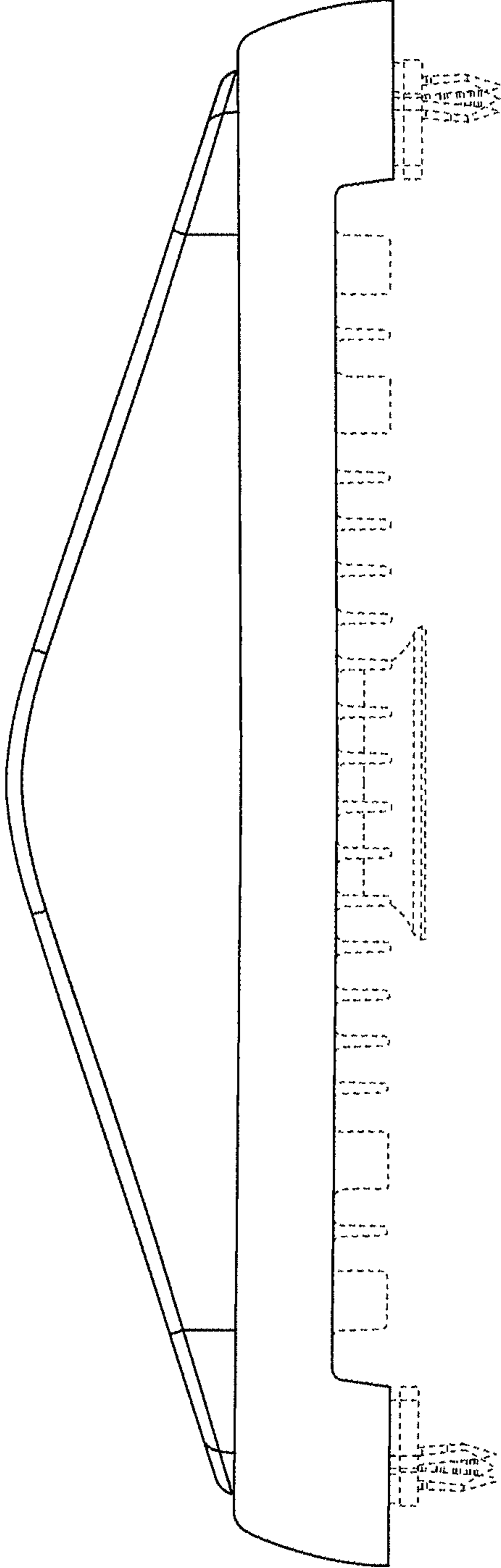


FIG. 4

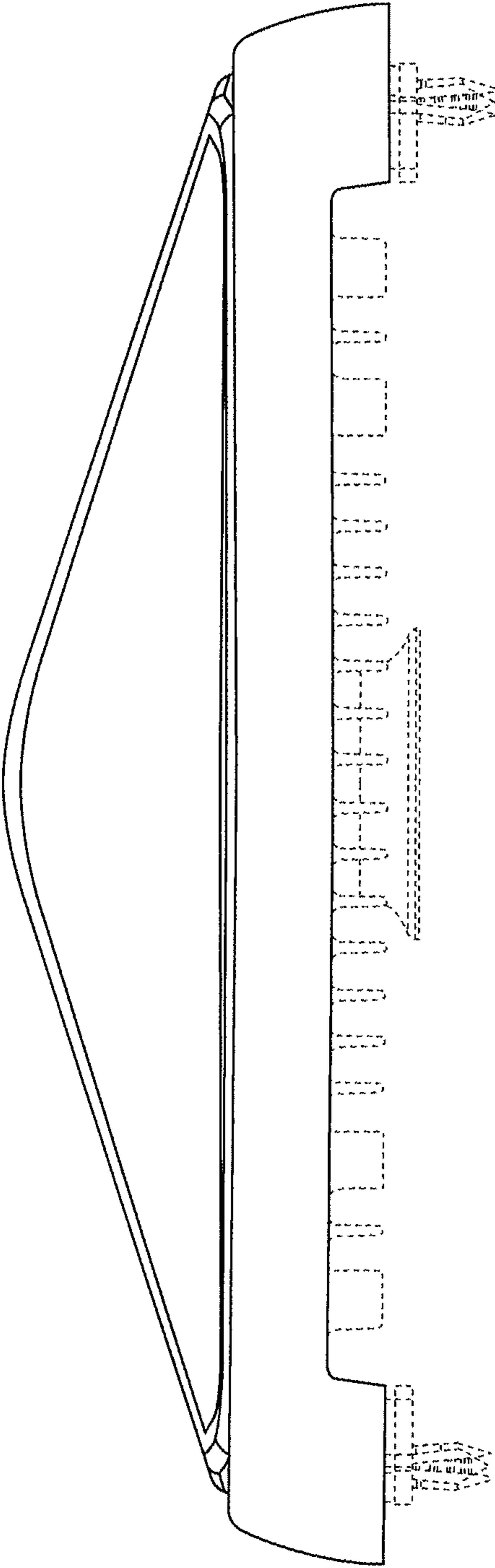


FIG. 5

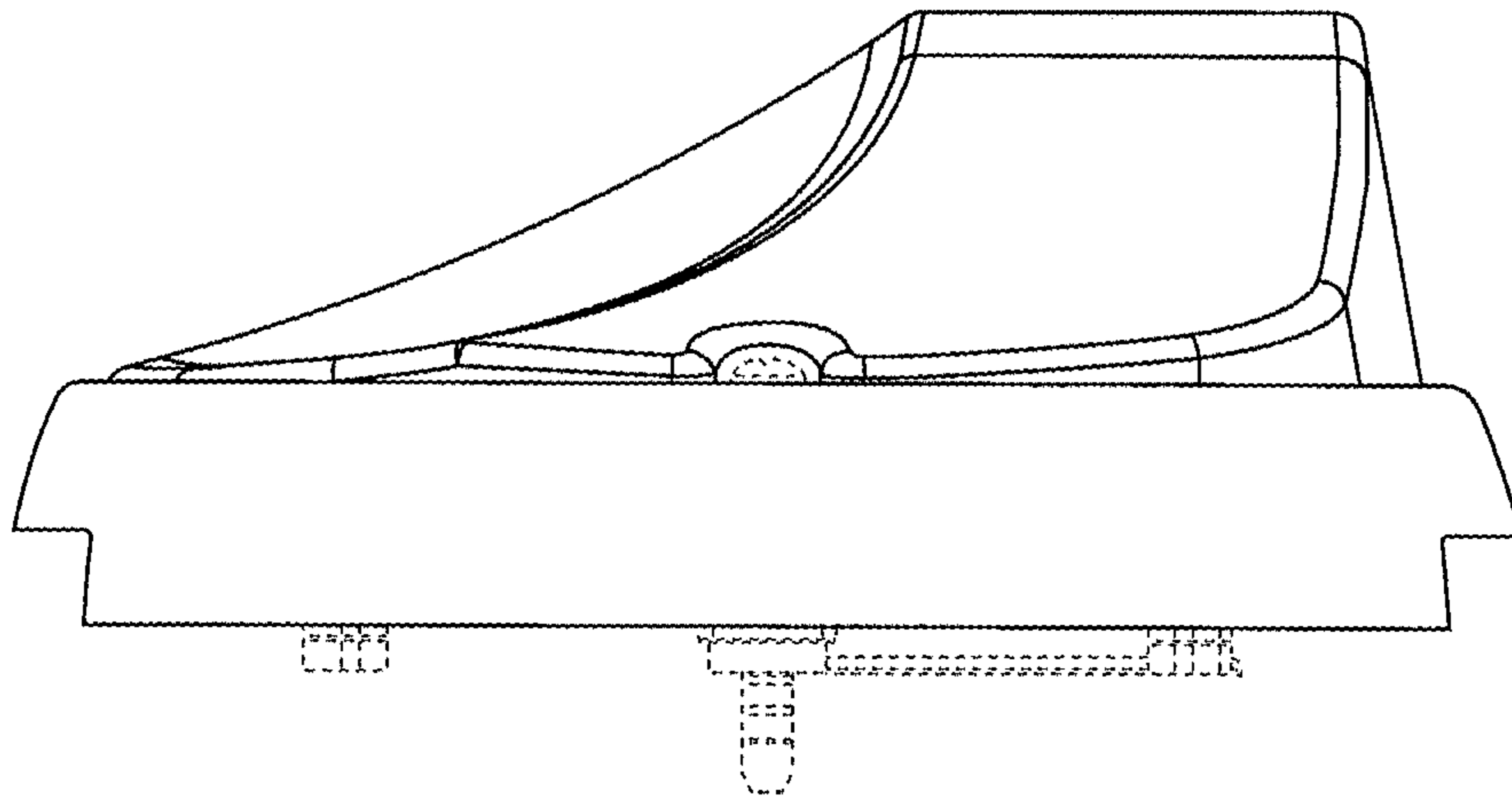


FIG. 6