

US00D761482S

(12) **United States Design Patent**  
**Largent**

(10) **Patent No.:** **US D761,482 S**

(45) **Date of Patent:** **\*\* \*Jul. 12, 2016**

(54) **LIGHT FIXTURE**

(71) Applicant: **Christopher P. Largent**, Phoenix, AZ  
(US)

(72) Inventor: **Christopher P. Largent**, Phoenix, AZ  
(US)

(73) Assignee: **JST Performance, LLC**, Gilbert, AZ  
(US)

(\*) Notice: This patent is subject to a terminal disclaimer.

(\*\*) Term: **14 Years**

(21) Appl. No.: **29/498,611**

(22) Filed: **Aug. 5, 2014**

(51) **LOC (10) Cl.** ..... **26-99**

(52) **U.S. Cl.**  
USPC ..... **D26/118; D26/28**

(58) **Field of Classification Search**  
USPC ..... D26/24, 26, 28, 29, 34, 37, 38, 43, 44,  
D26/51, 59, 60, 61, 63, 66, 67, 68, 72, 74,  
D26/76, 85, 86, 88, 89, 91, 113, 118, 119,  
D26/120, 122-124, 138, 140-146;  
362/145-148, 150, 153, 153.1, 218,  
362/249.01-249.05, 294, 296.01, 296.07,  
362/296.08, 311.07, 311.09, 311.1, 345,  
362/362, 364, 365, 366, 368, 370, 371, 373,  
362/397, 418, 427, 428, 460, 473-476,  
362/546-548  
CPC ..... F21V 29/02; F21V 3/02; F21V 15/013;  
F21V 21/04  
See application file for complete search history.

(56) **References Cited**

U.S. PATENT DOCUMENTS

D255,278 S *	6/1980	Alsman .....	D26/28
4,972,301 A *	11/1990	Kasboske .....	362/362
D574,978 S *	8/2008	Hyodo et al. ....	D26/28
D598,144 S *	8/2009	Ko .....	D26/28
D635,712 S *	4/2011	Leen .....	D26/118
D641,908 S *	7/2011	McKee .....	D26/71
D656,662 S *	3/2012	Lehman et al. ....	D26/118
D670,024 S *	10/2012	Green et al. ....	D26/128
D675,758 S *	2/2013	Adams .....	D26/28
D688,399 S *	8/2013	Adams .....	D26/28

(Continued)

*Primary Examiner* — Cynthia Ramirez  
*Assistant Examiner* — Lorelys Martinez-Rivera

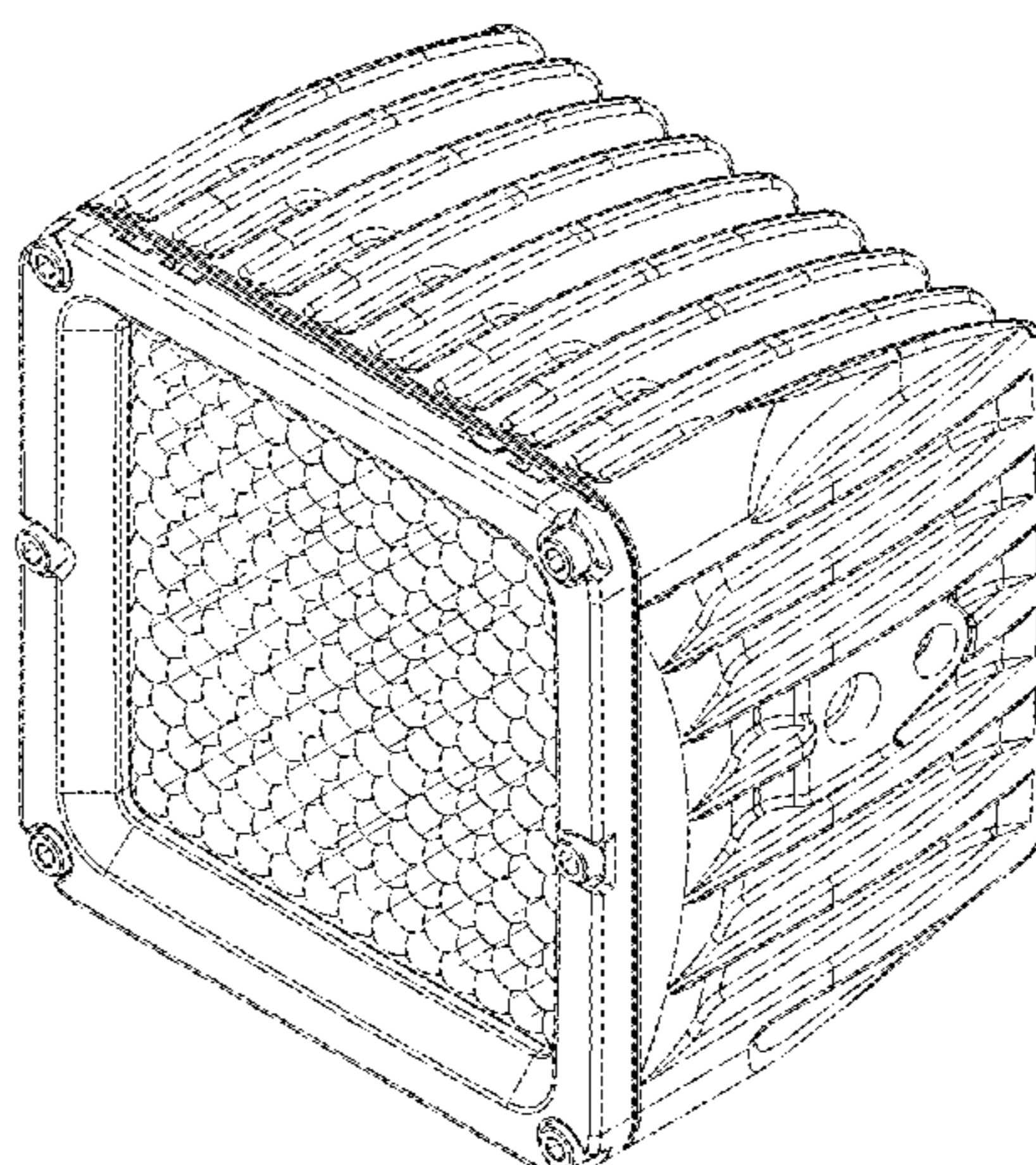
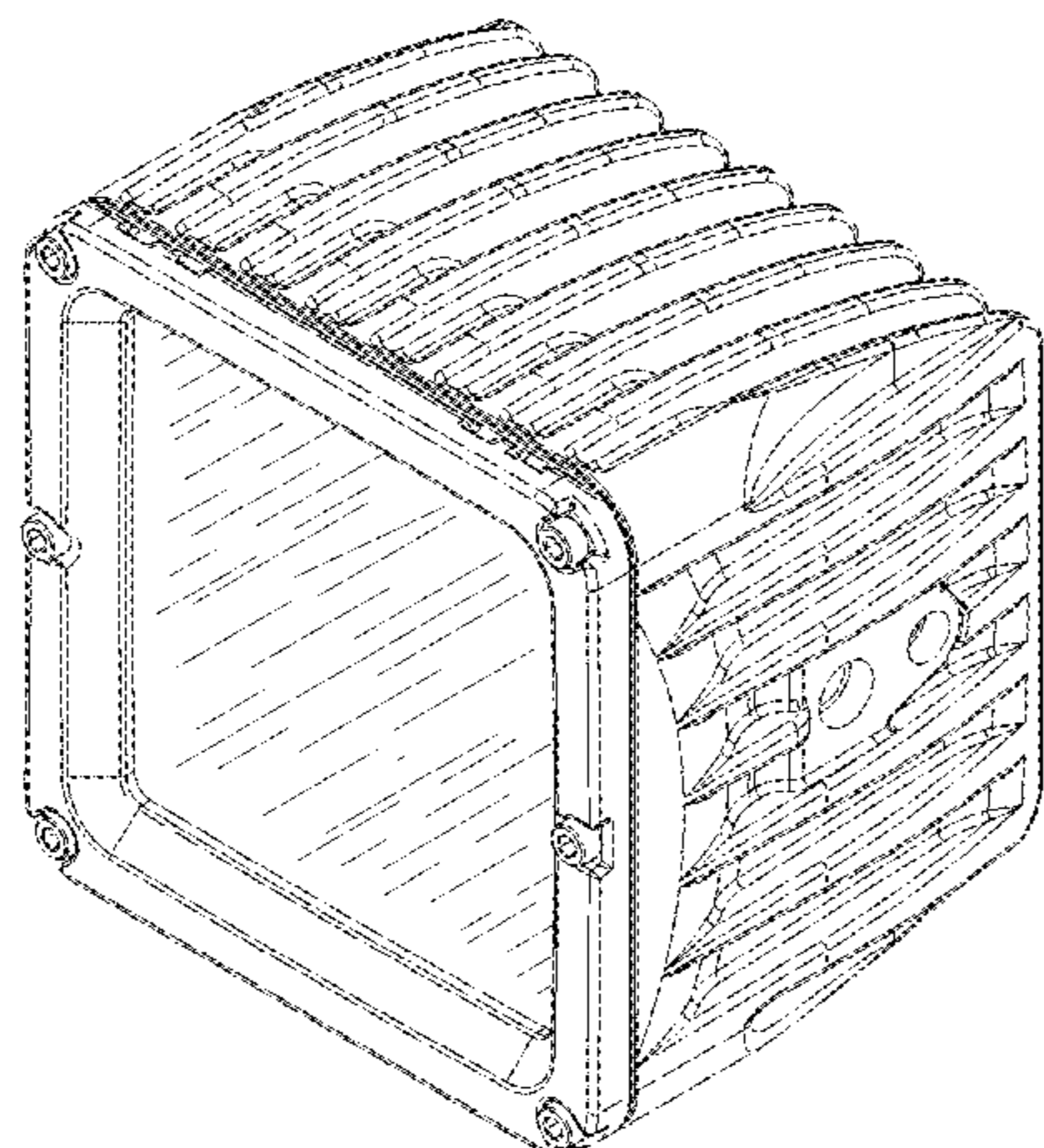
(57) **CLAIM**

The ornamental design for a light fixture, as shown and described.

**DESCRIPTION**

FIG. 1 is a front and right side top perspective view of a light fixture showing my new design;  
FIG. 2 is a front and left side top perspective view thereof;  
FIG. 3 is a second embodiment of FIG. 1, the only difference being the configuration of the lens;  
FIG. 4 is a second embodiment of FIG. 2, the only difference being the configuration of the lens;  
FIG. 5 is a front and right side bottom perspective view thereof;  
FIG. 6 is a front and left side bottom perspective view thereof;  
FIG. 7 is a back and right side top perspective view thereof;  
FIG. 8 is a back and left side top perspective view thereof;  
FIG. 9 is a back and left side bottom perspective view thereof;  
FIG. 10 is a back and right side bottom perspective view thereof;  
FIG. 11 is a front side view thereof;  
FIG. 12 is a back side view thereof;  
FIG. 13 is a left side view thereof;  
FIG. 14 is a right side view thereof;  
FIG. 15 is a top view thereof; and,  
FIG. 16 is a bottom view thereof.

**1 Claim, 16 Drawing Sheets**



(56)

**References Cited**

U.S. PATENT DOCUMENTS

D693,509 S *	11/2013	Hosick et al. ....	D26/63	D713,075 S *	9/2014	Lee .....	D26/28
D697,241 S *	1/2014	Chen .....	D26/28	D716,477 S *	10/2014	Chu .....	D26/28
D703,861 S *	4/2014	Holland et al. ....	D26/89	D716,986 S *	11/2014	Ng .....	D26/60
D704,363 S *	5/2014	Adams .....	D26/28	D718,478 S *	11/2014	Adams .....	D26/28
D704,364 S *	5/2014	Adams .....	D26/28	2004/0257808 A1 *	12/2004	Bjornson et al. ....	362/294
D704,365 S *	5/2014	Adams .....	D26/28	2010/0014289 A1 *	1/2010	Thomas et al. ....	362/294
D708,778 S *	7/2014	Sibitzky et al. ....	D26/118	2013/0265755 A1 *	10/2013	Adams .....	362/235
				2014/0126214 A1 *	5/2014	Gebhard et al. ....	362/294
				2014/0146544 A1 *	5/2014	Gebhard et al. ....	362/311.02

\* cited by examiner

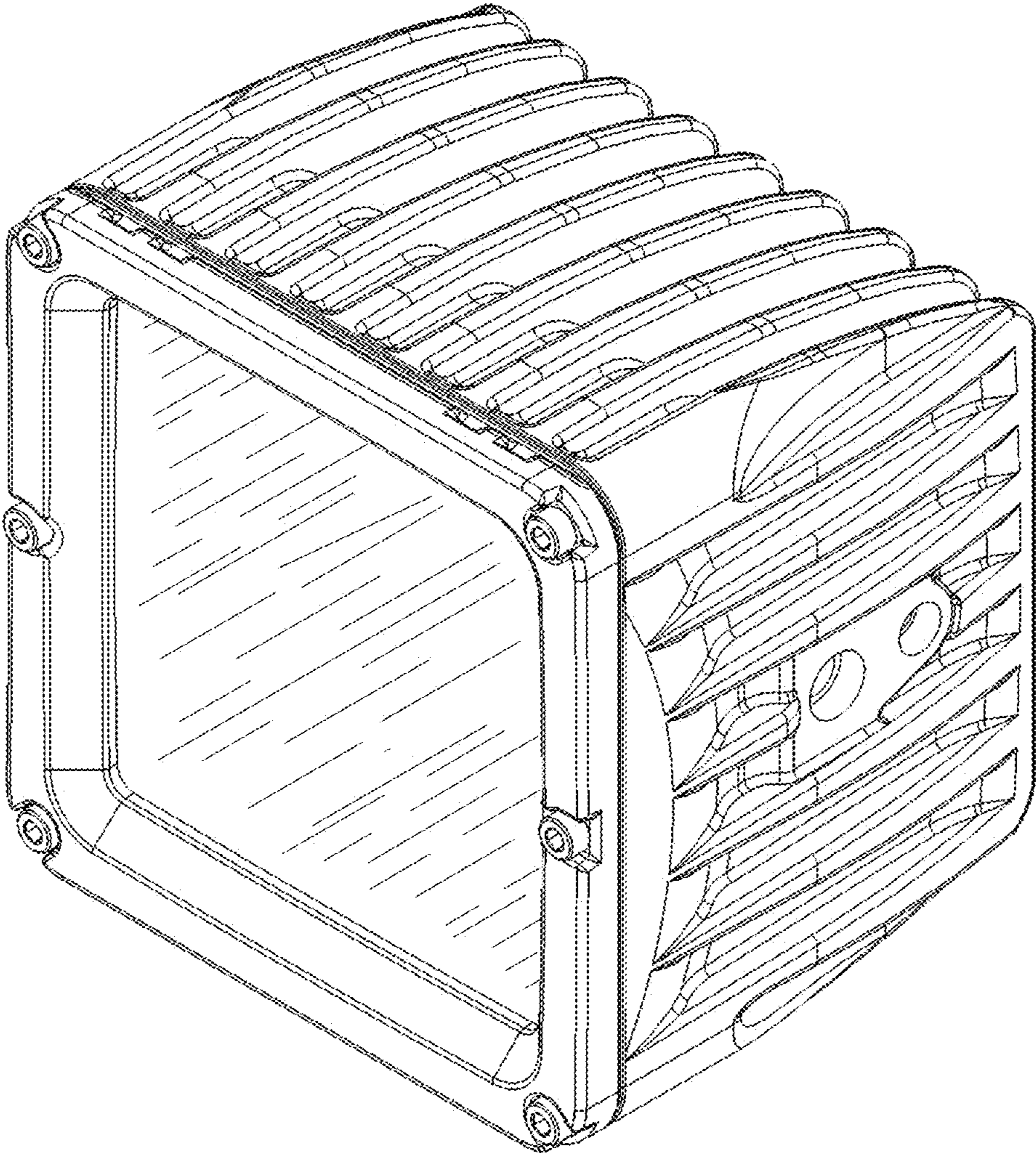


FIG. 1

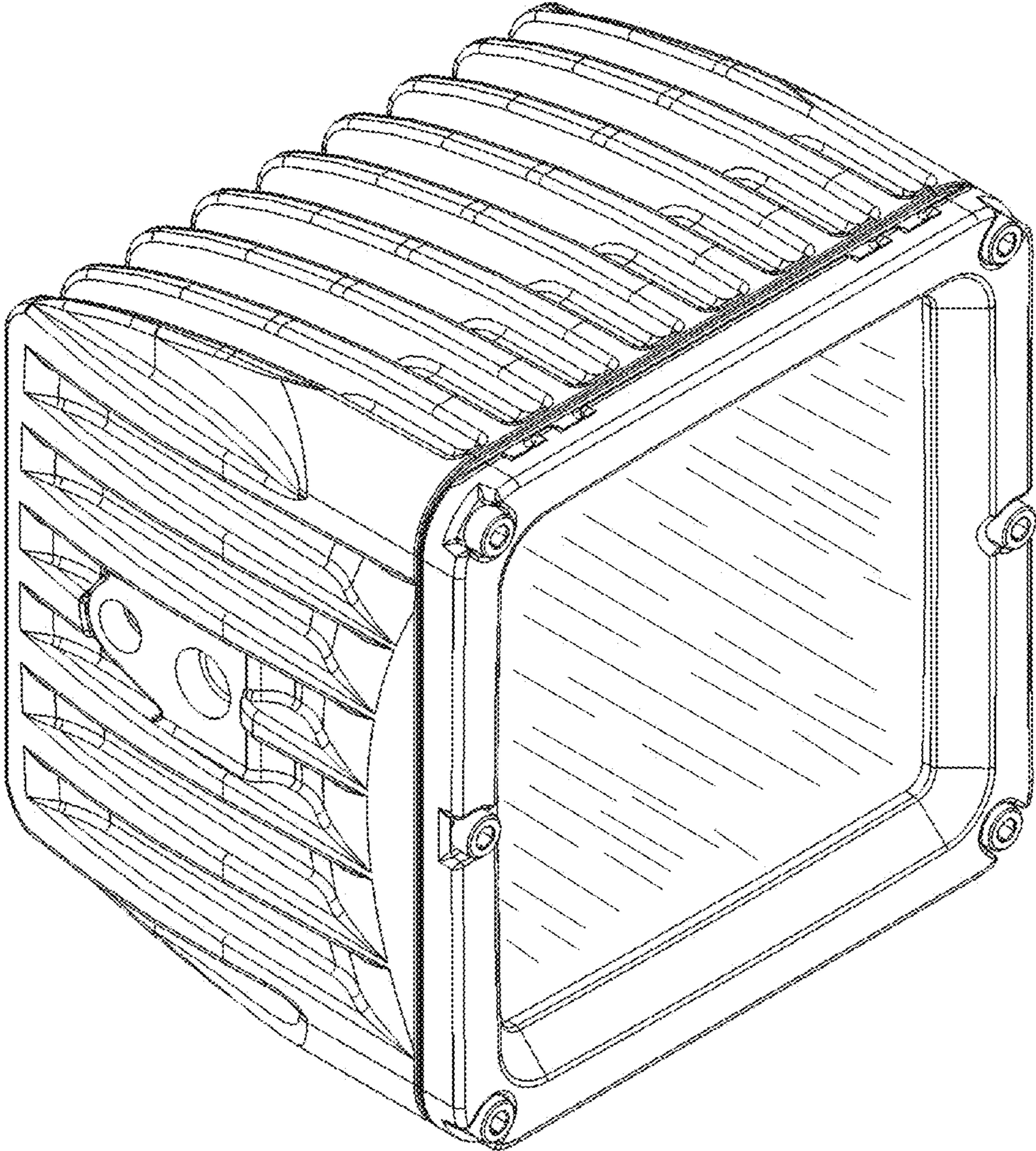


FIG. 2

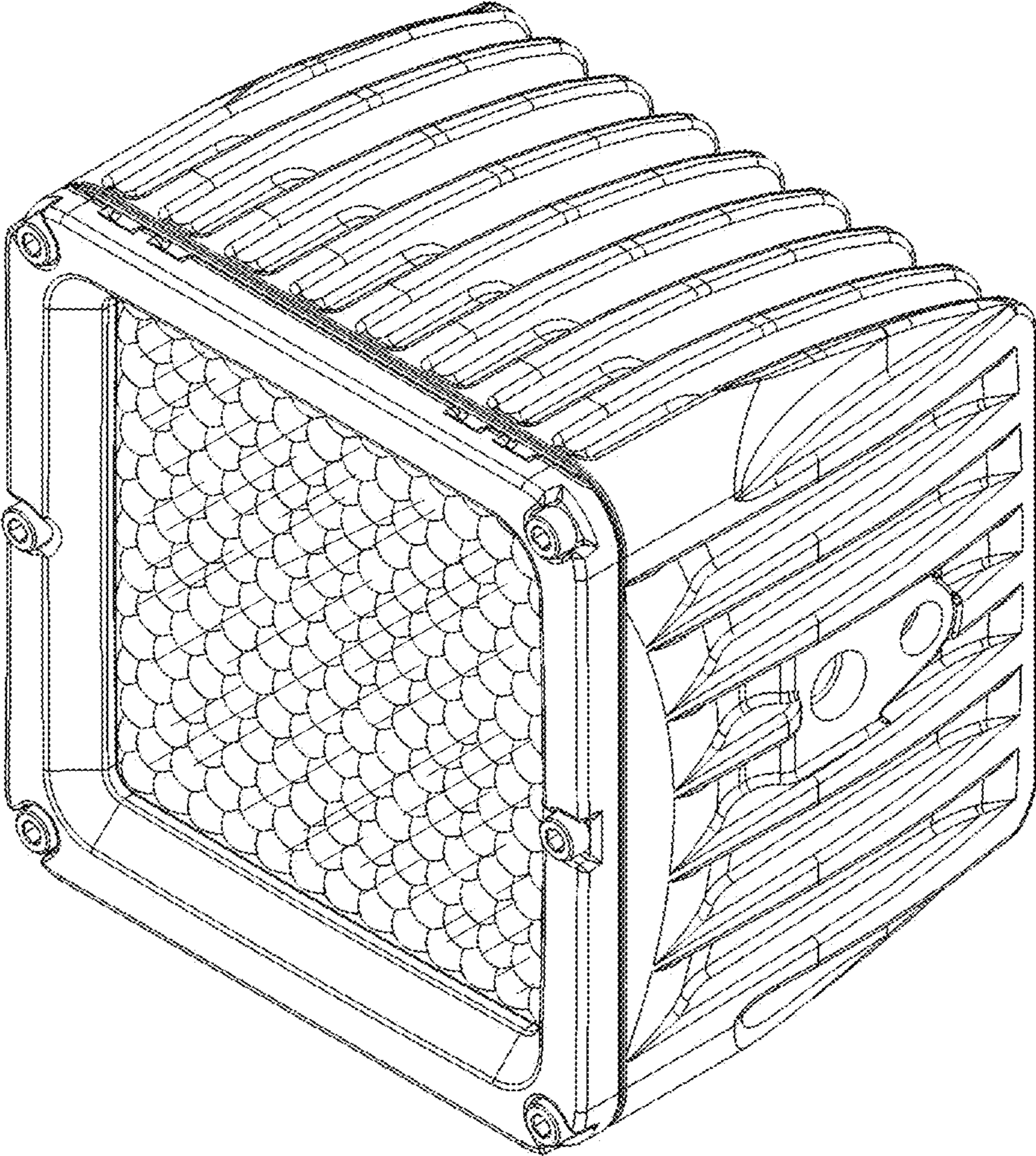


FIG. 3

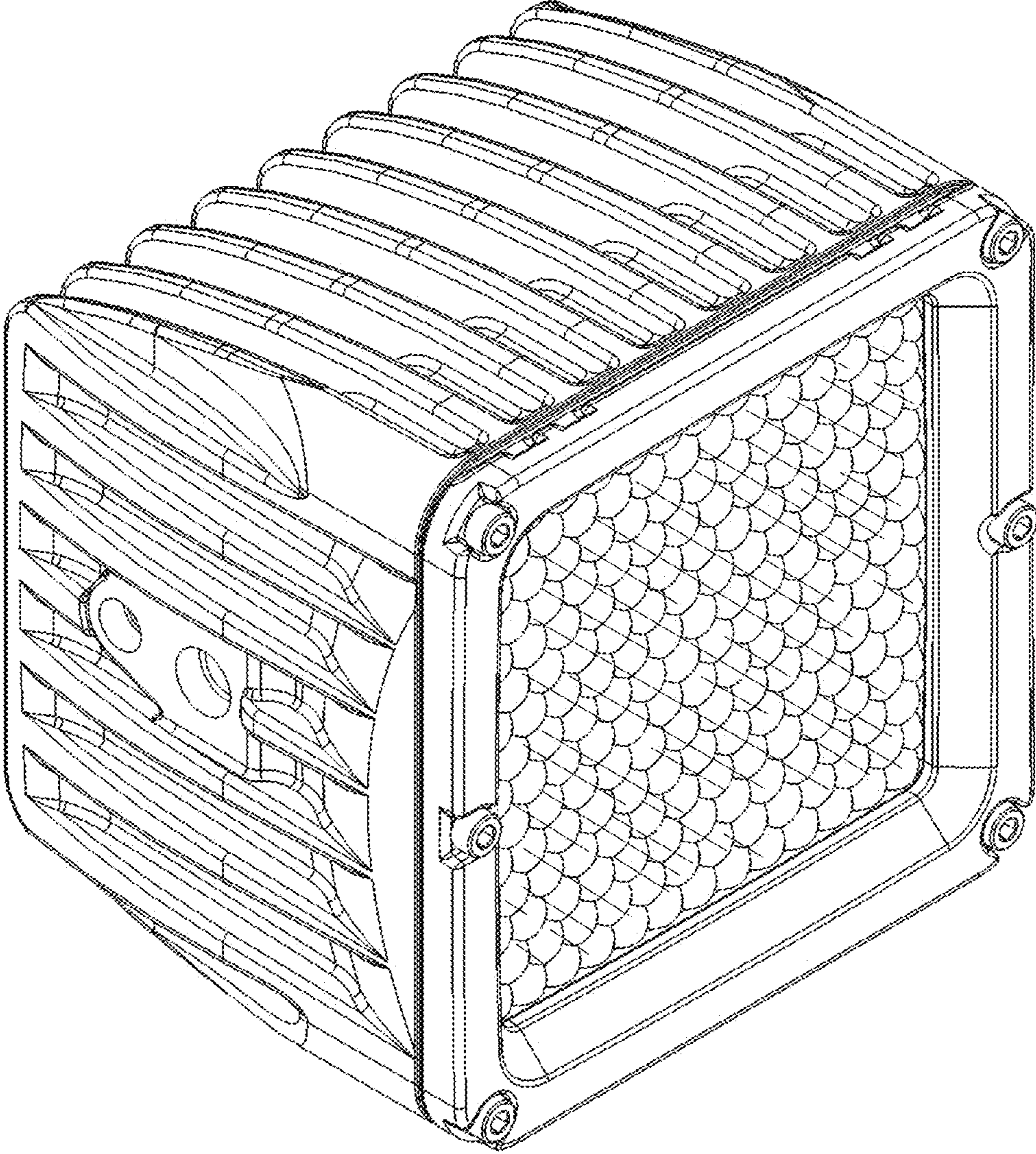


FIG. 4

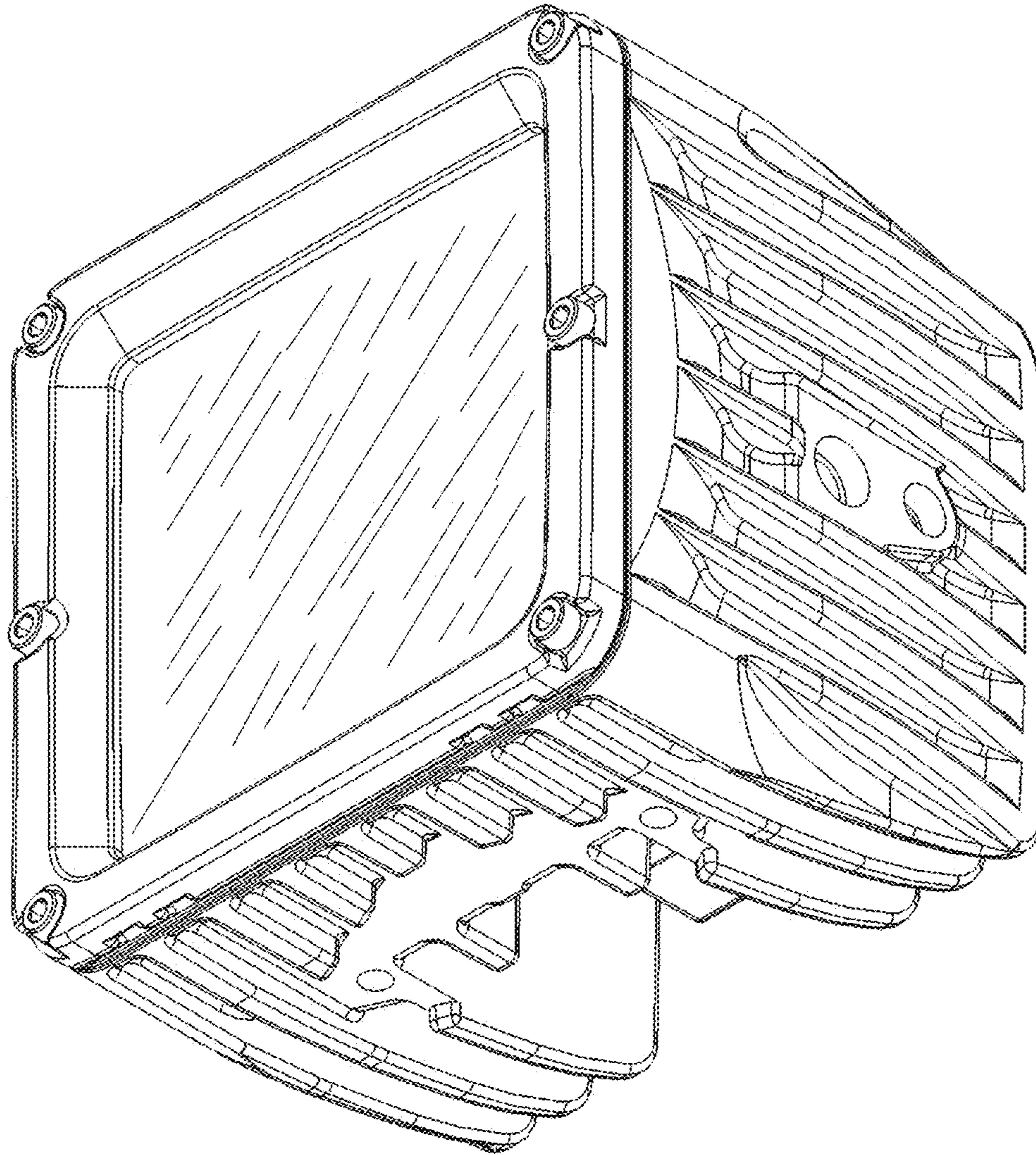


FIG. 5

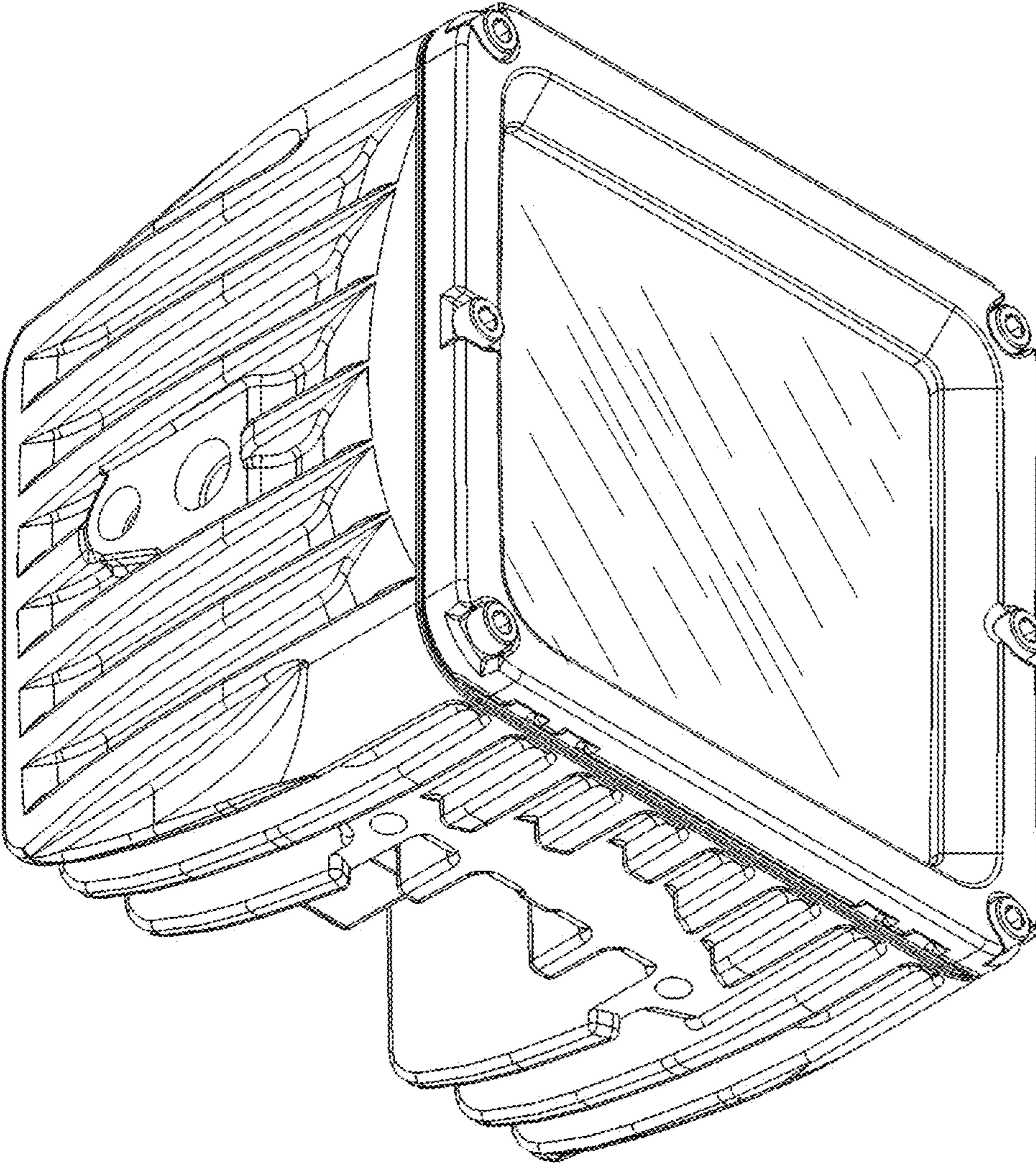


FIG. 6



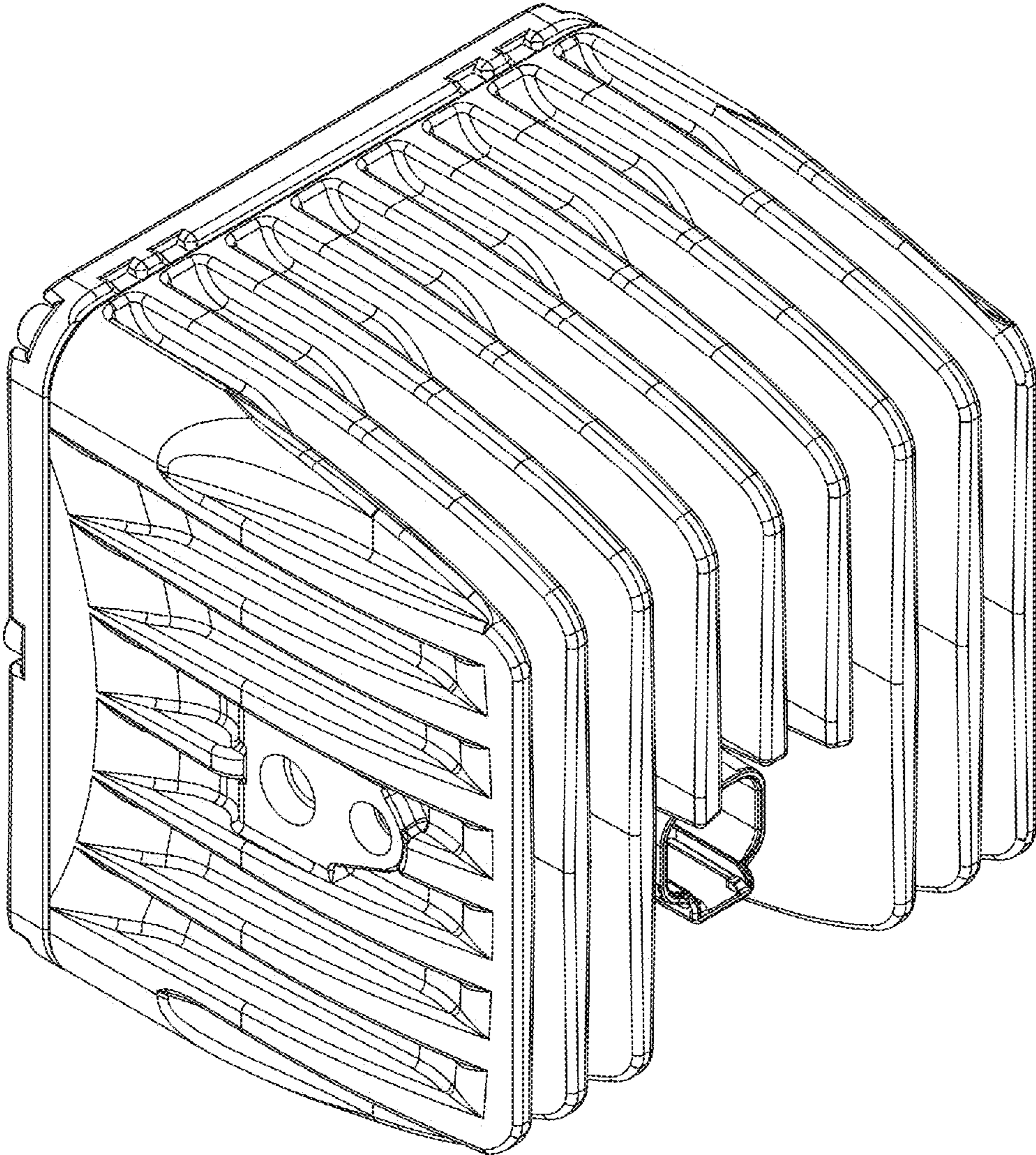


FIG. 7

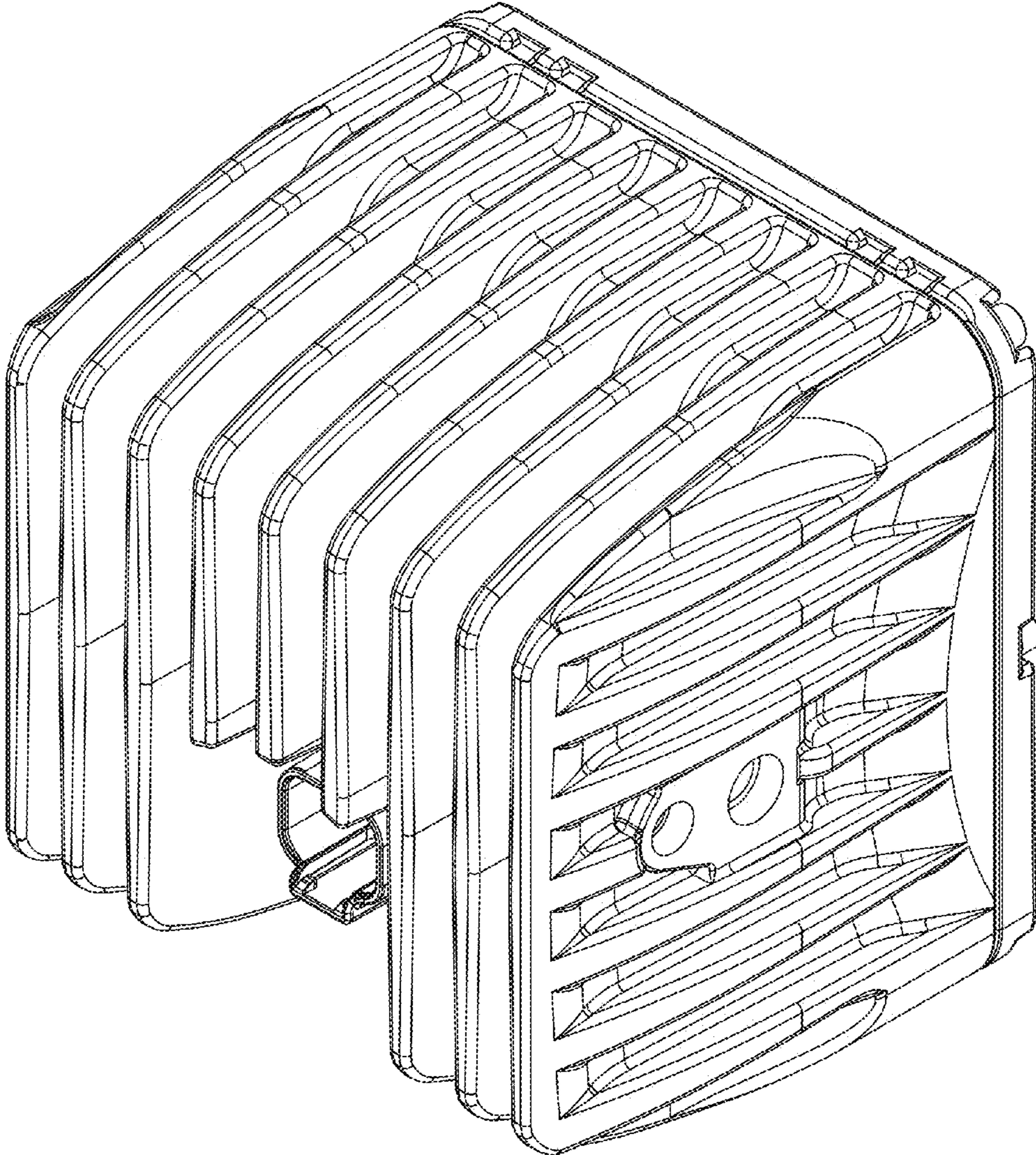


FIG. 8

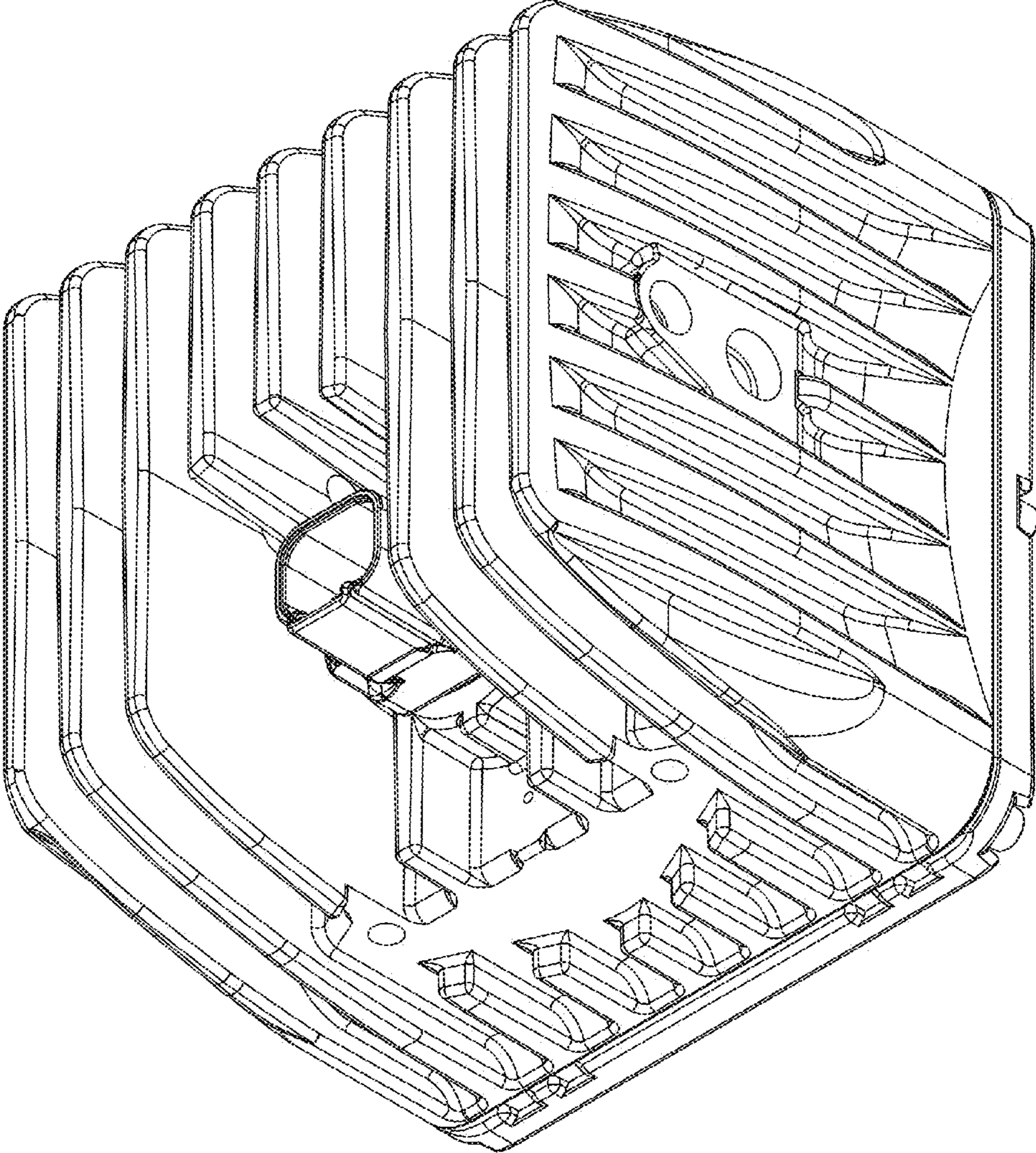


FIG. 9

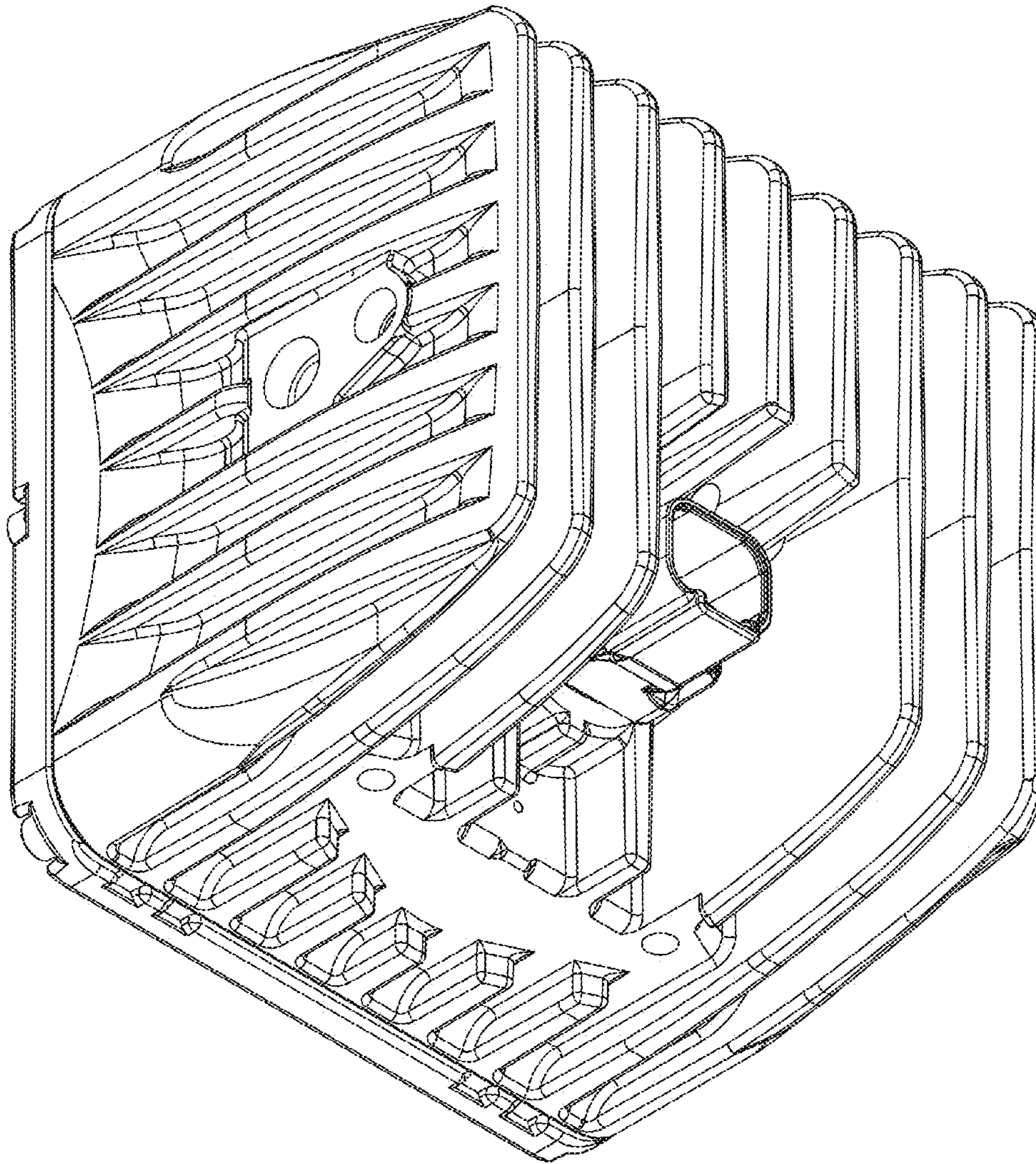


FIG. 10

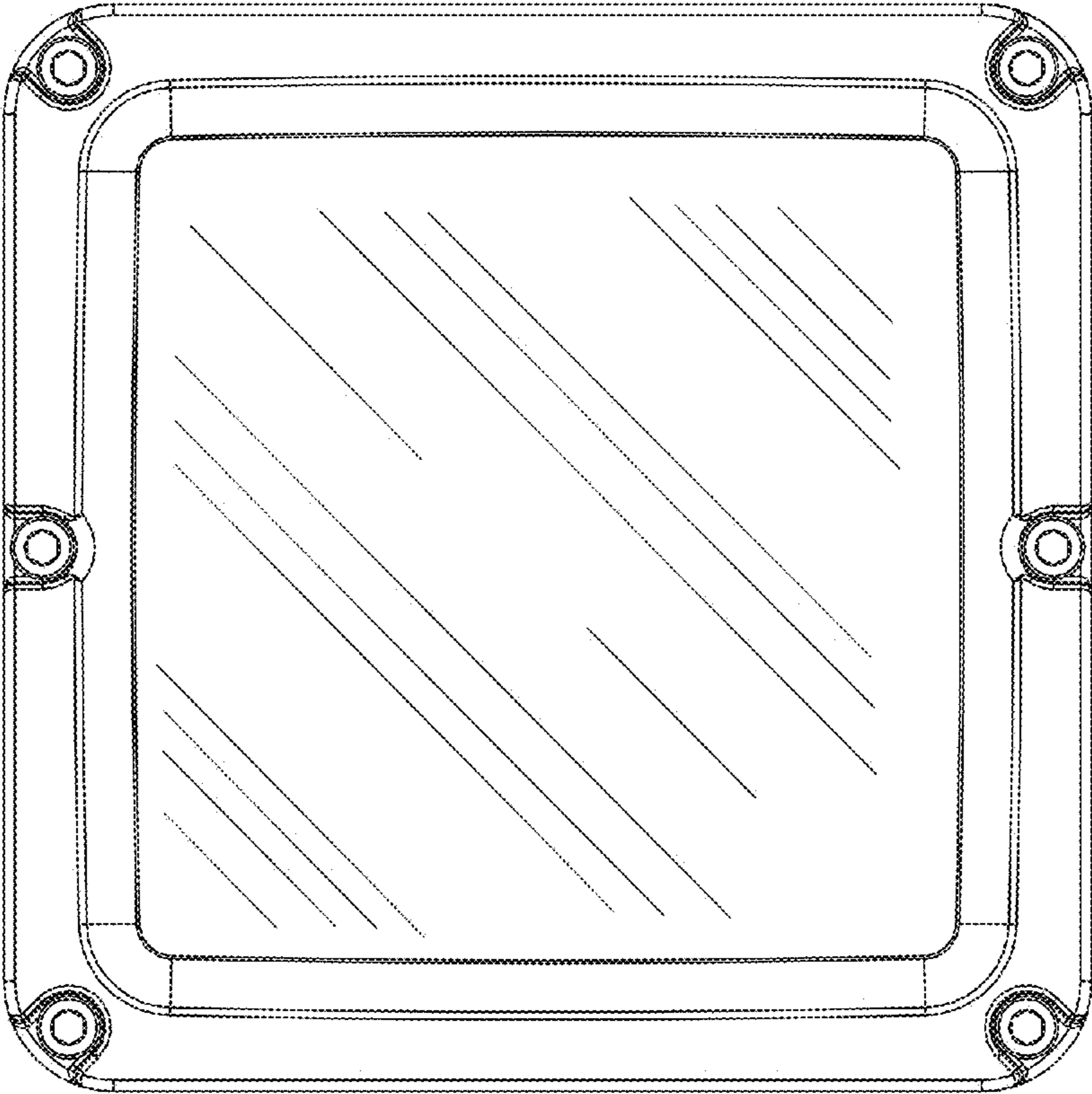


FIG. 11

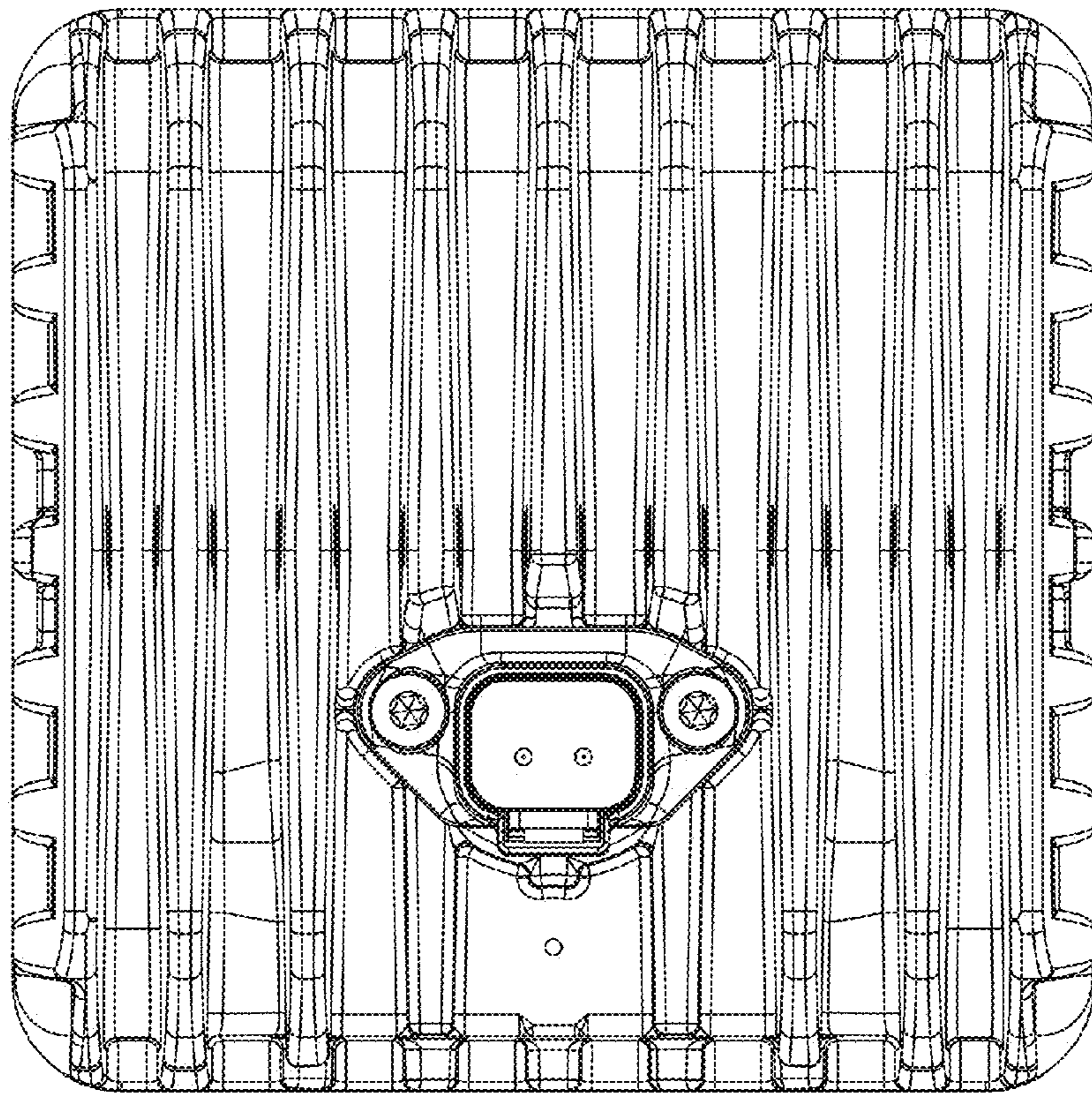


FIG. 12

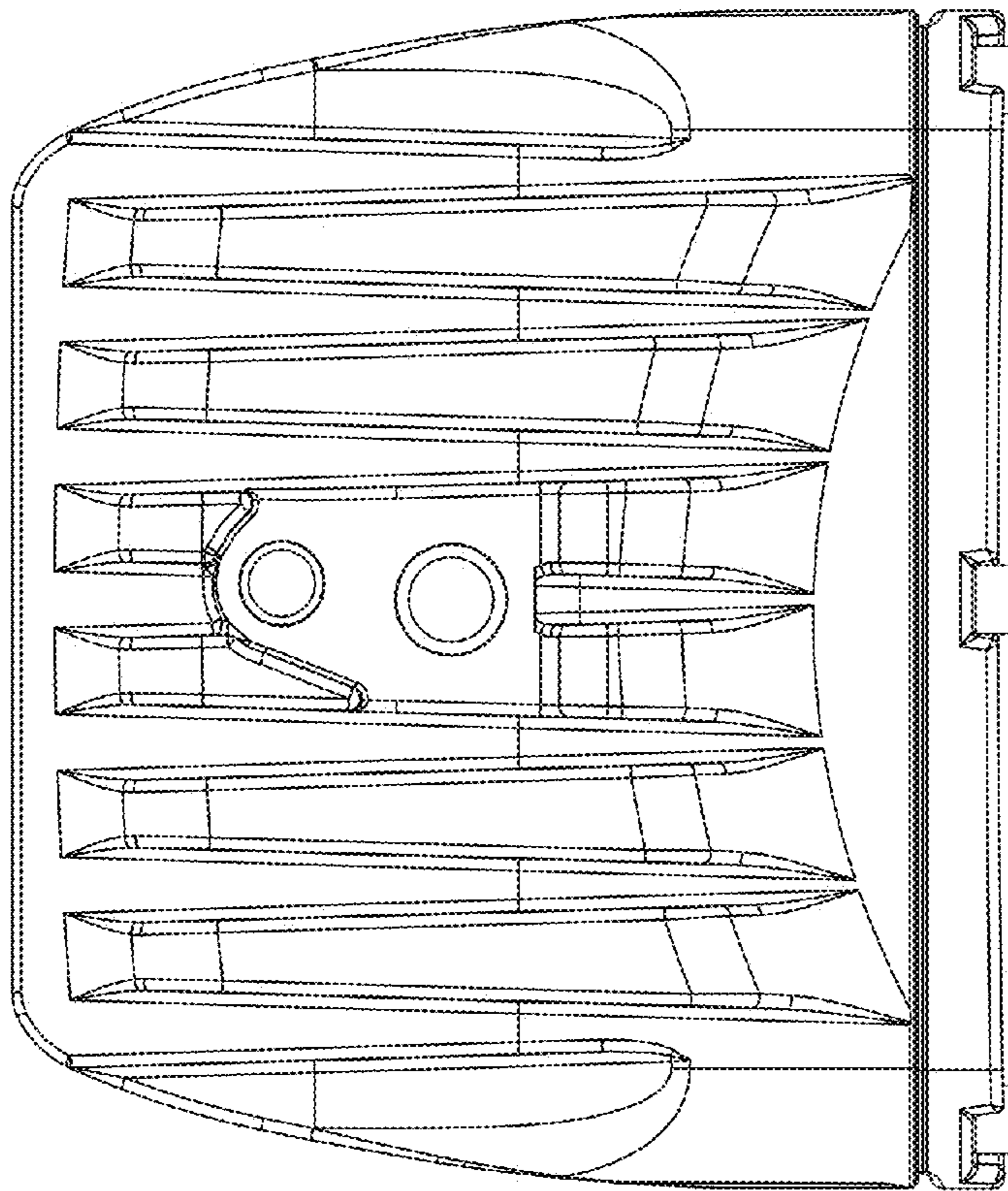


FIG. 13

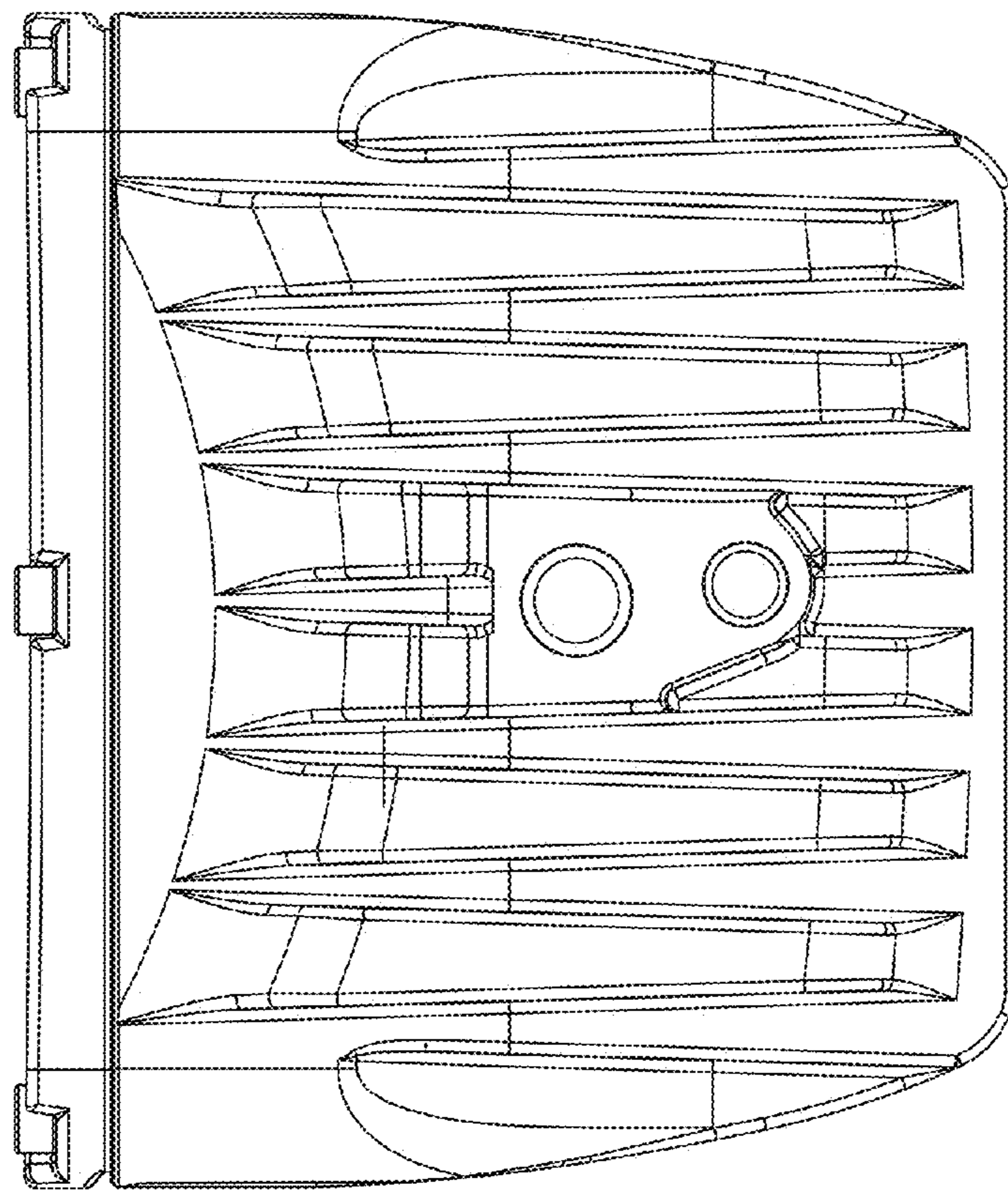


FIG. 14



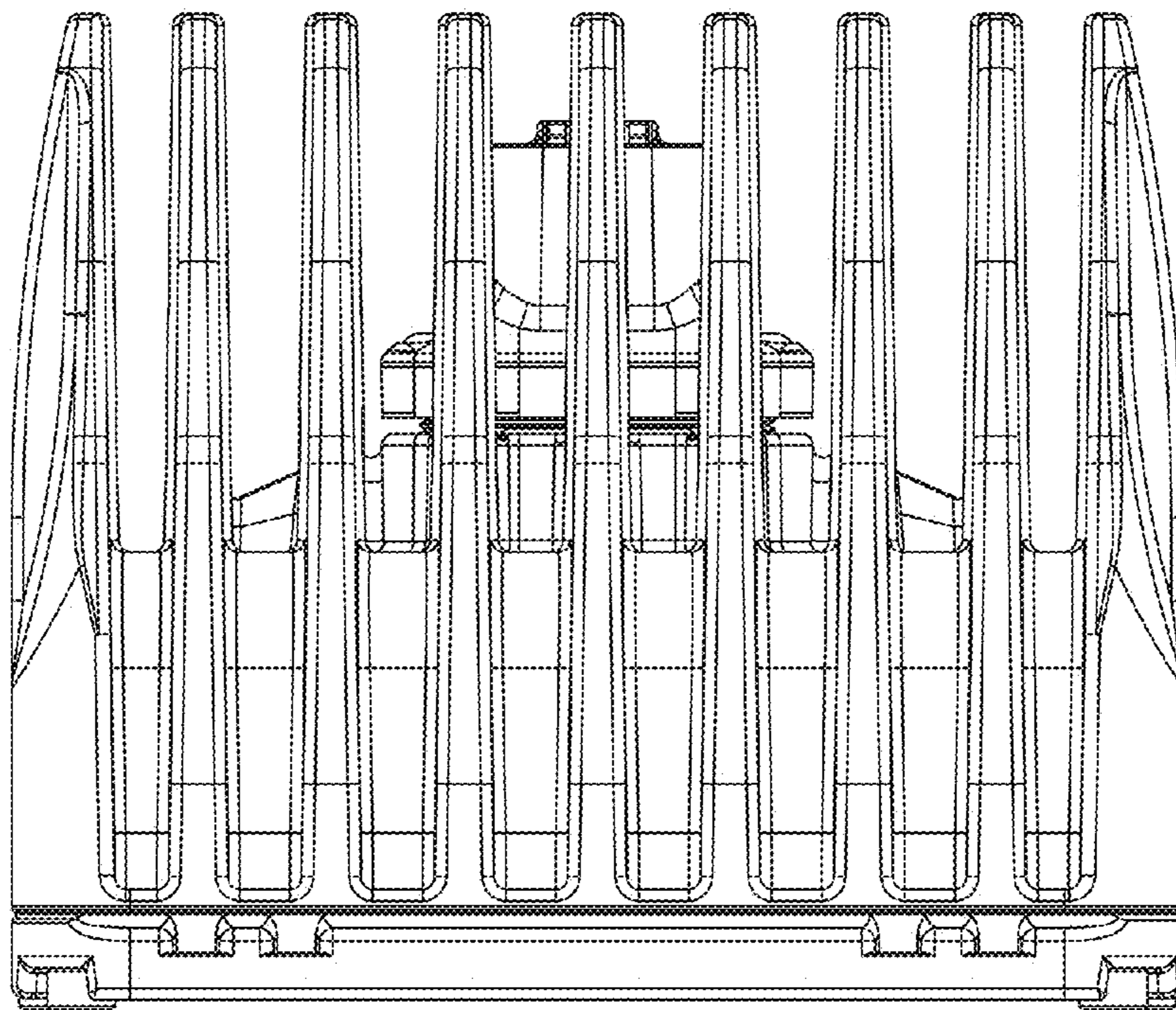


FIG. 15

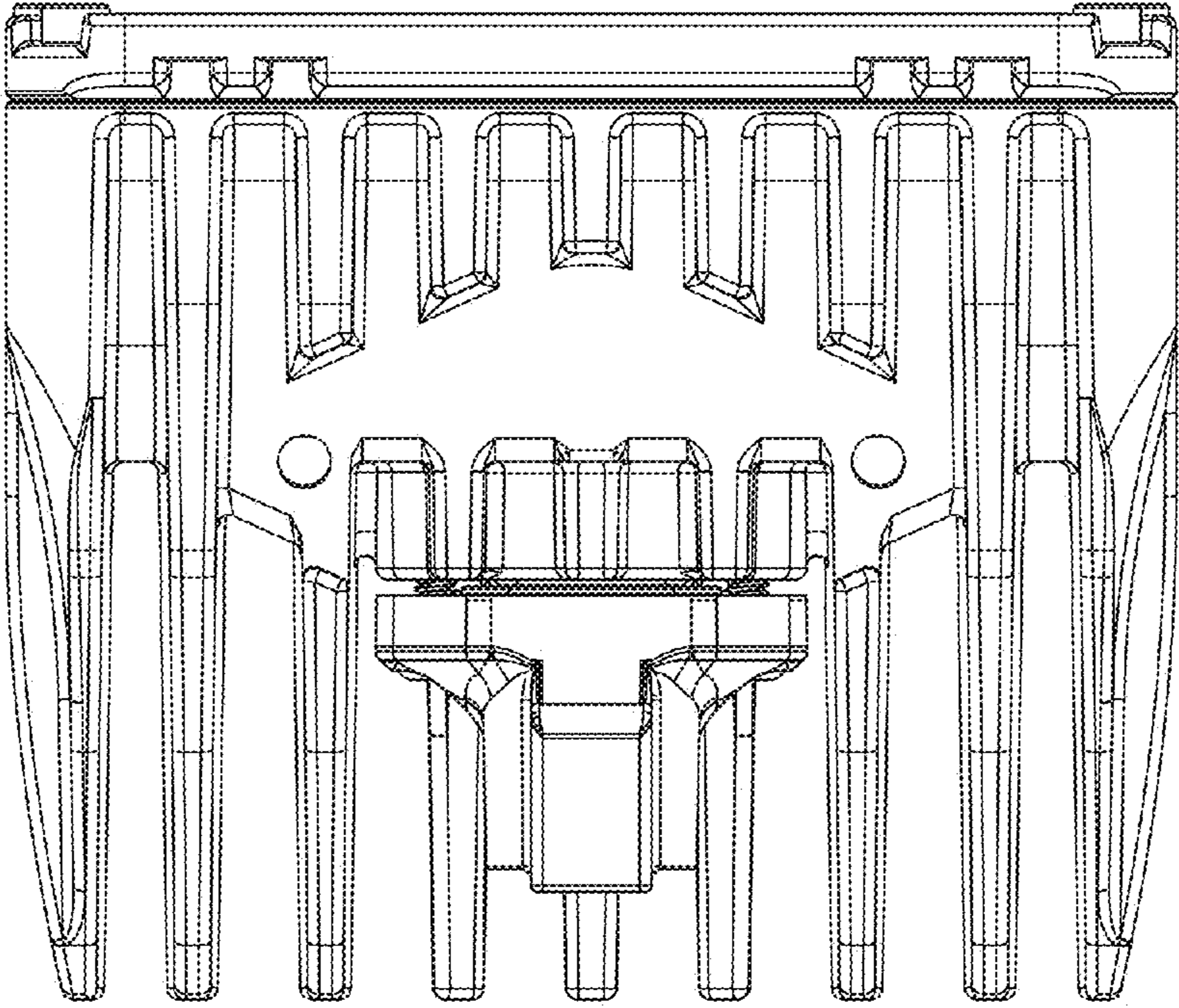


FIG. 16