

US00D761481S

(12) **United States Design Patent**  
**Reynolds**

(10) **Patent No.:** **US D761,481 S**

(45) **Date of Patent:** **\*\* \*Jul. 12, 2016**

(54) **BALLAST HOUSING**

(71) Applicant: **IP Holdings, LLC**, Vancouver, WA (US)

(72) Inventor: **Christopher Reynolds**, Vancouver, WA (US)

(73) Assignee: **IP Holdings, LLC**, Vancouver, WA (US)

(\* ) Notice: This patent is subject to a terminal disclaimer.

(\*\*) Term: **14 Years**

(21) Appl. No.: **29/500,653**

(22) Filed: **Aug. 27, 2014**

**Related U.S. Application Data**

(63) Continuation-in-part of application No. 29/500,583, filed on Aug. 26, 2014.

(51) **LOC (10) Cl.** ..... **26-99**

(52) **U.S. Cl.**  
USPC ..... **D26/113; D26/118**

(58) **Field of Classification Search**  
USPC ..... D10/18, 21, 24, 25, 27, 28, 46, 93, 104,  
D10/106, 113, 116.1, 121; D26/72, 118,  
D26/120, 124, 138, 2, 89  
CPC ..... A63H 30/04; G05G 2009/04748;  
H04B 1/1027; F21S 8/04; F21S 2/005;  
F21S 2/00; B29D 21/04; F21V 15/015;  
F21V 27/00; F21V 21/14; F21V 21/005;  
F21Y 2103/00

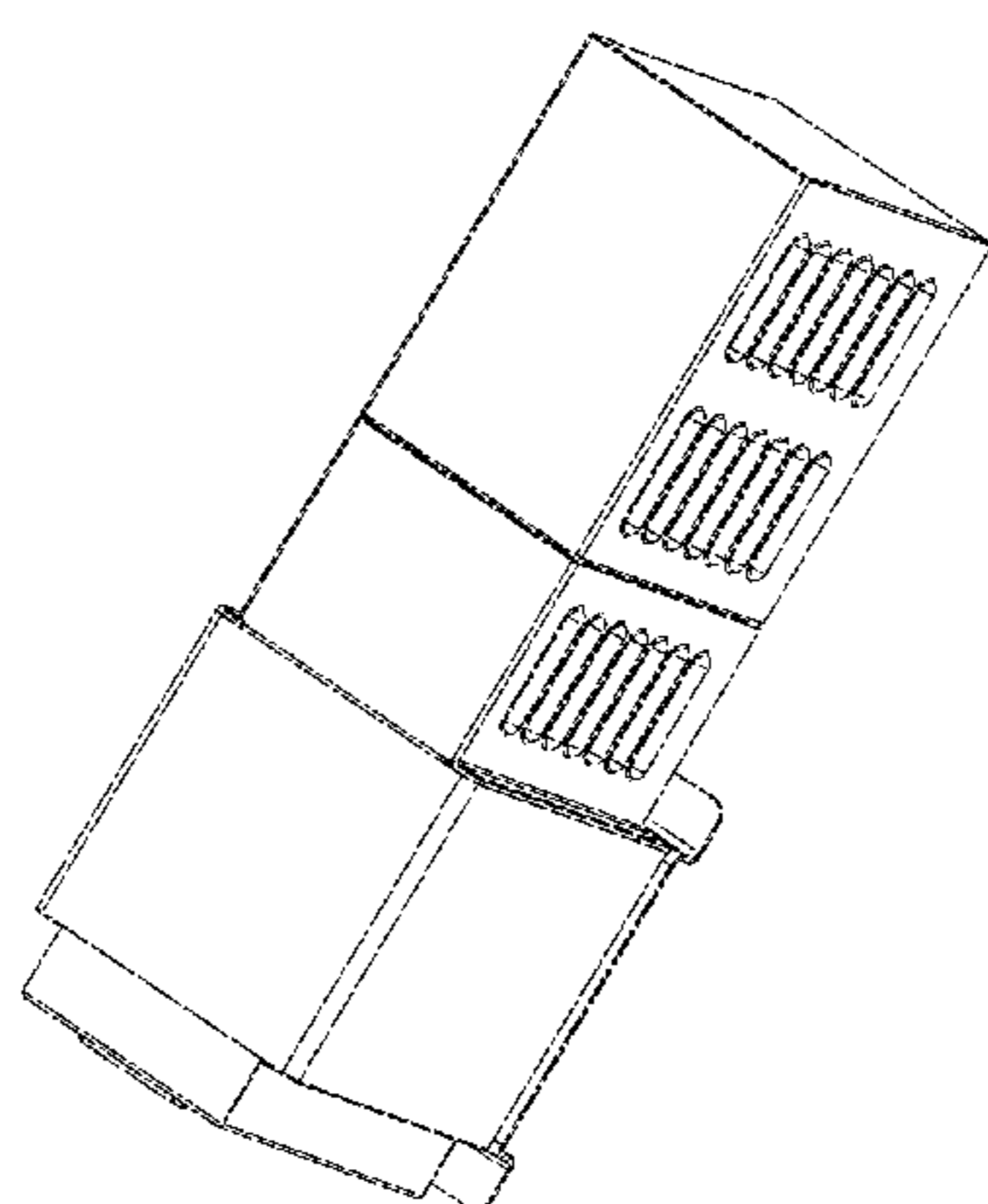
See application file for complete search history.

(56) **References Cited**

**U.S. PATENT DOCUMENTS**

D123,768 S \* 12/1940 Skribner ..... 362/218  
2,887,242 A \* 5/1959 Suarez Grau ..... H01F 29/06  
220/4.02

(Continued)



**OTHER PUBLICATIONS**

1000W Hardcore Ballast—Yield Master 6 inch Air-Cooled Bundle, image post date Jun. 9, 2014, site visited Oct. 16, 2015, (online), <http://web.archive.org/web/20140609182241/http://4hydroponics.com/sunlight-supply>.\*

(Continued)

*Primary Examiner* — Kevin Rudzinski

*Assistant Examiner* — Sean D Lough

(74) *Attorney, Agent, or Firm* — J. Douglas Wells

(57) **CLAIM**

The ornamental design for the ballast housing, as shown and described.

**DESCRIPTION**

FIG. 1 is a perspective view of a first embodiment of a ballast housing, as viewed from below, showing my new design;

FIG. 2 is a perspective view of the housing shown in FIG. 1, as viewed from above;

FIG. 3 is a left side view of the housing shown in FIG. 1;

FIG. 4 is a right side view of the housing shown in FIG. 1;

FIG. 5 is a front elevation view of the housing shown in FIG. 1;

FIG. 6 is a rear elevation view of the housing shown in FIG. 1;

FIG. 7 is a top plan view of the housing in FIG. 1;

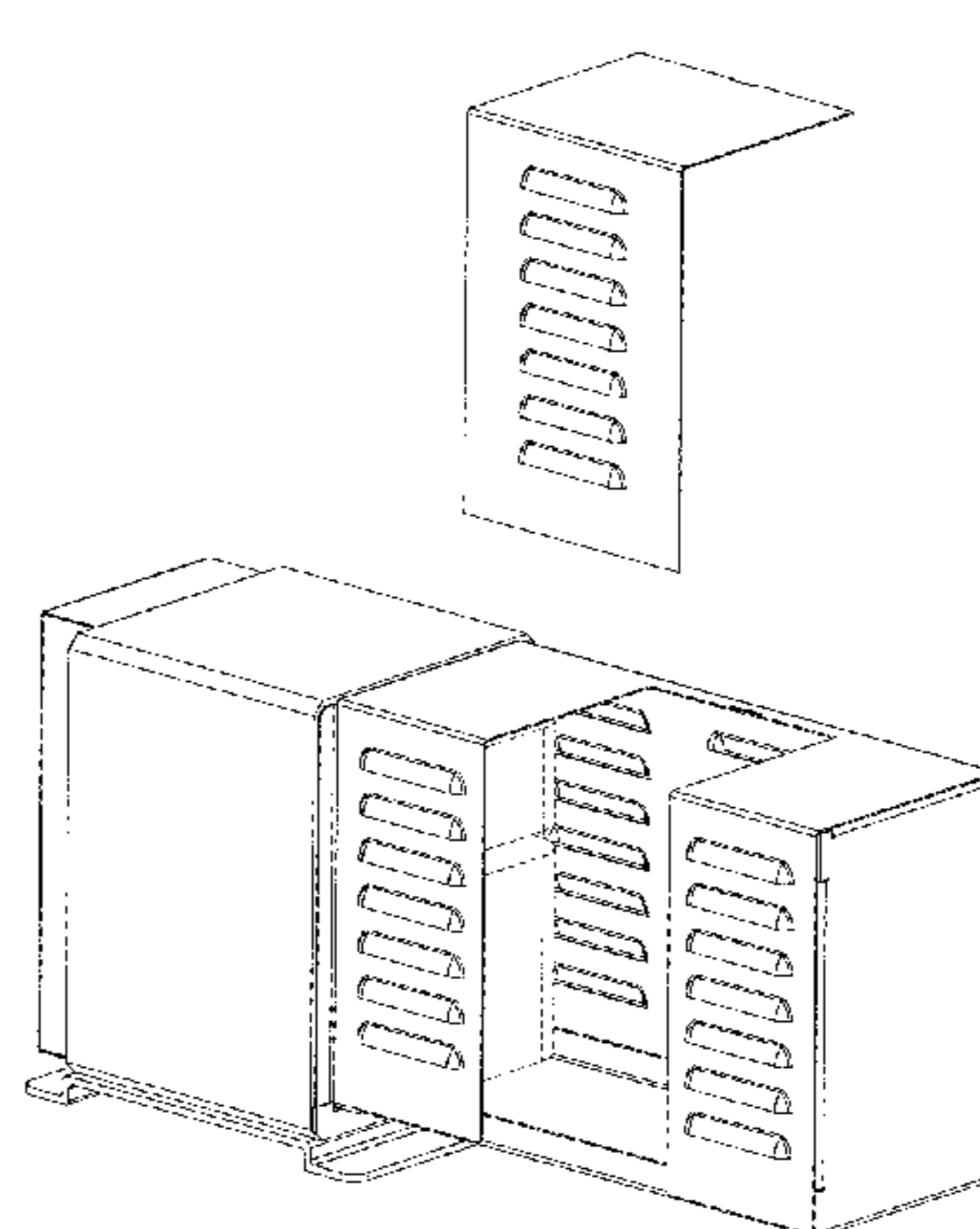
FIG. 8 is a bottom plan view of the housing shown in FIG. 1; and

FIG. 9 is a perspective view of the housing shown in FIG. 1, wherein an access cover portion is shown in a removed position; and,

FIG. 10 is a perspective view of a second embodiment of a ballast housing, wherein an access cover portion is shown in a removed position, and wherein right side, front elevation, rear elevation, and bottom plan views are shown in FIGS. 4, 5, 6, and 8, respectively.

The broken lines (where present) in all FIGS. illustrate portions of the ballast housing which form no part of the claimed design.

**1 Claim, 10 Drawing Sheets**



(56)

References Cited

U.S. PATENT DOCUMENTS

3,197,545 A 7/1965 Moore  
 3,741,292 A 6/1973 Aakalu et al.  
 4,214,797 A \* 7/1980 Borresen ..... G09F 7/00  
 108/901  
 4,394,692 A \* 7/1983 Randmae ..... H04N 5/2252  
 348/143  
 4,413,674 A 11/1983 Avery et al.  
 4,471,898 A 9/1984 Parker  
 D277,892 S \* 3/1985 Reding ..... D26/24  
 4,602,826 A \* 7/1986 Zimmer ..... A47B 81/06  
 312/108  
 4,745,966 A 5/1988 Avery  
 4,924,152 A 5/1990 Flickinger  
 5,031,070 A \* 7/1991 Hsu ..... G06F 1/18  
 220/690  
 5,140,225 A 8/1992 Barton  
 5,159,528 A \* 10/1992 Murphy ..... G06F 1/183  
 312/257.1  
 5,260,851 A \* 11/1993 Chiou ..... G06F 1/181  
 361/679.31  
 5,278,351 A \* 1/1994 Herrick ..... H05K 9/0049  
 174/372  
 5,309,315 A \* 5/1994 Naedel ..... H05K 7/1427  
 174/386  
 D360,047 S \* 7/1995 Zimmerman ..... D26/67  
 5,446,617 A 8/1995 Blocher et al.  
 5,483,423 A \* 1/1996 Lewis ..... H05K 9/0062  
 174/358  
 D373,625 S 9/1996 Pereira  
 D387,333 S 12/1997 Pellow et al.  
 D387,970 S 12/1997 Enslen  
 5,867,369 A \* 2/1999 Antonuccio ..... G06F 1/184  
 312/223.2  
 5,894,884 A 4/1999 Durian  
 5,917,696 A \* 6/1999 Peng ..... G06F 1/181  
 361/679.33  
 5,944,210 A \* 8/1999 Yetter ..... H02G 3/081  
 220/241  
 6,005,768 A \* 12/1999 Jo ..... G11B 33/08  
 248/638  
 6,038,126 A \* 3/2000 Weng ..... G06F 1/189  
 312/223.2  
 6,082,842 A \* 7/2000 Ho ..... G06F 1/181  
 312/223.2  
 D432,639 S 10/2000 Durian  
 6,129,429 A \* 10/2000 Hardt ..... G06F 1/183  
 312/223.2  
 6,147,859 A \* 11/2000 Abboud ..... G06F 1/20  
 312/223.1  
 6,411,514 B1 \* 6/2002 Hussaini ..... H05K 7/209  
 165/104.33  
 6,445,663 B1 \* 9/2002 Chen ..... G06F 1/184  
 361/679.36  
 D477,568 S 7/2003 Milby  
 D478,547 S 8/2003 Milby  
 6,693,371 B2 \* 2/2004 Ziegler ..... H02J 9/062  
 307/64  
 6,697,258 B1 \* 2/2004 Muhlfeld ..... H05K 5/069  
 361/679.01  
 6,758,353 B2 \* 7/2004 Orr ..... H05K 7/183  
 211/183

6,960,842 B2 \* 11/2005 Ziegler ..... H02J 9/062  
 307/64  
 7,040,491 B1 \* 5/2006 Claprod ..... H05K 7/1425  
 211/183  
 D523,803 S 6/2006 Smith et al.  
 7,164,581 B2 \* 1/2007 Carullo ..... H05K 7/1451  
 361/679.48  
 D537,777 S 3/2007 Hargreaves  
 D542,460 S \* 5/2007 Hargreaves ..... D26/118  
 D545,996 S 7/2007 Hargreaves  
 D550,894 S \* 9/2007 Huang ..... D26/142  
 7,397,670 B2 \* 7/2008 Su ..... H02M 7/003  
 174/520  
 7,566,104 B2 \* 7/2009 Chen ..... G06F 1/181  
 312/223.2  
 7,696,872 B2 \* 4/2010 Burwell ..... G08B 25/14  
 340/539.31  
 D615,848 S 5/2010 Prichard et al.  
 D619,276 S \* 7/2010 Choi ..... D26/26  
 7,782,605 B2 \* 8/2010 Wu ..... G11B 33/125  
 312/223.1  
 D625,168 S 10/2010 Chen  
 D625,877 S \* 10/2010 Hsu ..... D26/80  
 D627,503 S \* 11/2010 Postelmans ..... D26/72  
 D627,919 S \* 11/2010 Trice ..... D26/121  
 D638,307 S \* 5/2011 Rossi ..... D9/721  
 D639,495 S \* 6/2011 Huang ..... D26/118  
 D643,964 S \* 8/2011 Heyrman ..... D26/85  
 D654,350 S 2/2012 Preda  
 D663,228 S \* 7/2012 Reinbach ..... D10/114.4  
 D663,459 S \* 7/2012 Wauters ..... D26/68  
 D663,469 S \* 7/2012 Lee ..... D26/74  
 8,238,117 B2 \* 8/2012 Burwell ..... G08B 25/14  
 361/752  
 D668,810 S \* 10/2012 Bryant ..... D26/85  
 D673,720 S \* 1/2013 Bailey ..... D26/138  
 D678,599 S \* 3/2013 Boyer ..... D26/128  
 D696,165 S \* 12/2013 Campbell ..... D12/163  
 D704,375 S \* 5/2014 Bailey ..... D26/138  
 D705,230 S \* 5/2014 Hung ..... D14/440  
 D710,000 S \* 7/2014 Moreno ..... D23/386  
 D710,530 S \* 8/2014 Chang ..... D26/118  
 D714,253 S \* 9/2014 Aglassinger ..... D14/188  
 D715,148 S \* 10/2014 Kuo ..... D9/456  
 D715,476 S \* 10/2014 Tien ..... D26/74  
 D716,730 S \* 11/2014 Liu ..... D13/110  
 D724,257 S \* 3/2015 Klus ..... D26/141  
 D731,688 S \* 6/2015 Piano ..... D26/63  
 2008/0251663 A1 \* 10/2008 Tracy ..... A47B 91/00  
 248/188.8  
 2010/0319953 A1 12/2010 Yochum et al.  
 2011/0025797 A1 2/2011 Rosati et al.  
 2011/0025803 A1 2/2011 Rosati et al.

OTHER PUBLICATIONS

Hot Head 1000 Watt Ballast, image post date Jun. 7, 2014, site visited Oct. 16, 2015, (online), <<https://www.tineye.com/search/16ab65f3e8fc49af5495f0d8aed17b35afa6524e/?pluginver=>>>.\*  
 Pro Gear 1000 Watt Magnetic Ballast, image post date 2012, site visited Oct. 16, 2015, (online), <<http://growshop.ie/index.php/pro-gear-1000-watt-magnetic-ballast.html>>.\*

\* cited by examiner

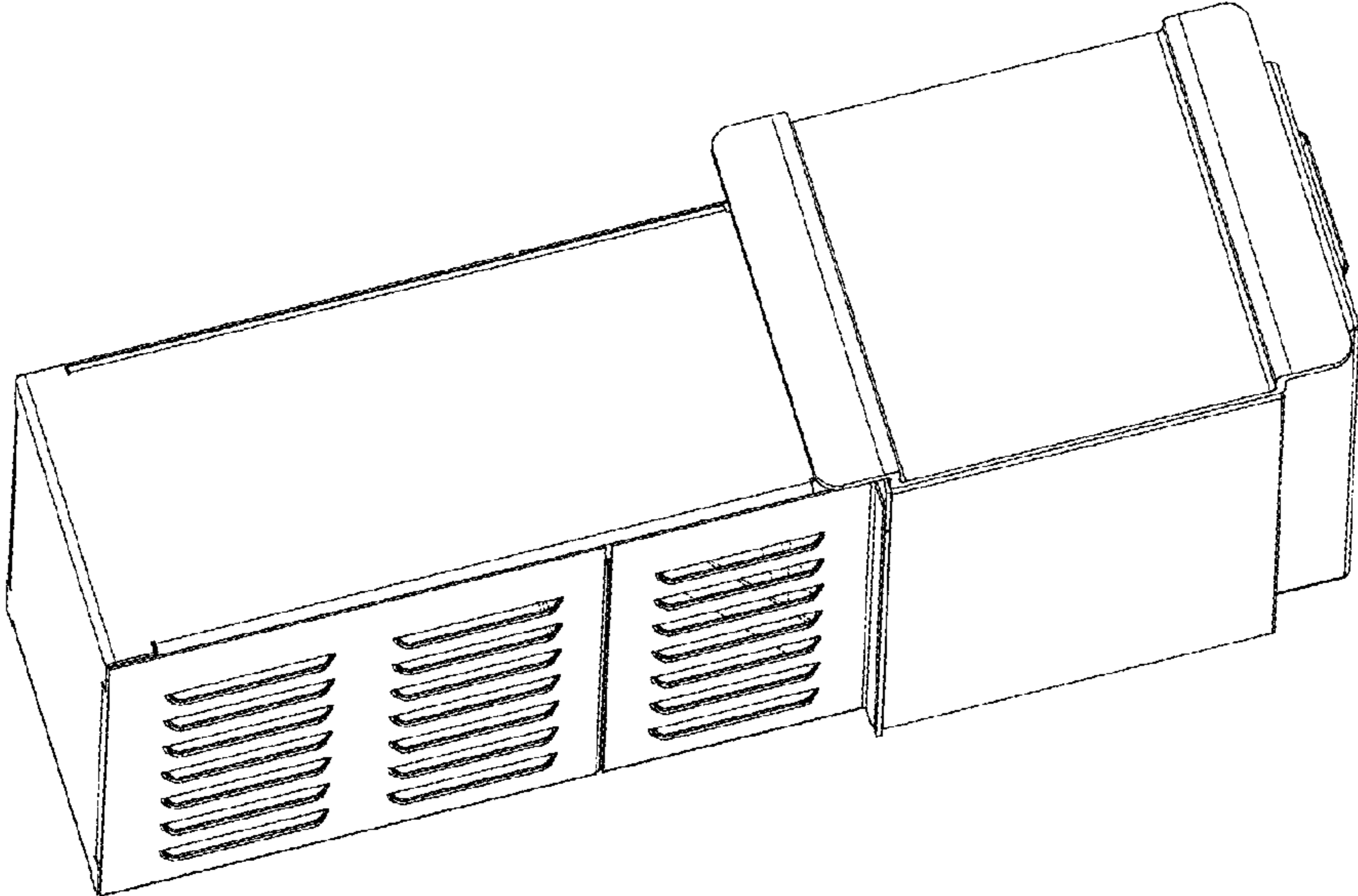


FIG. 1

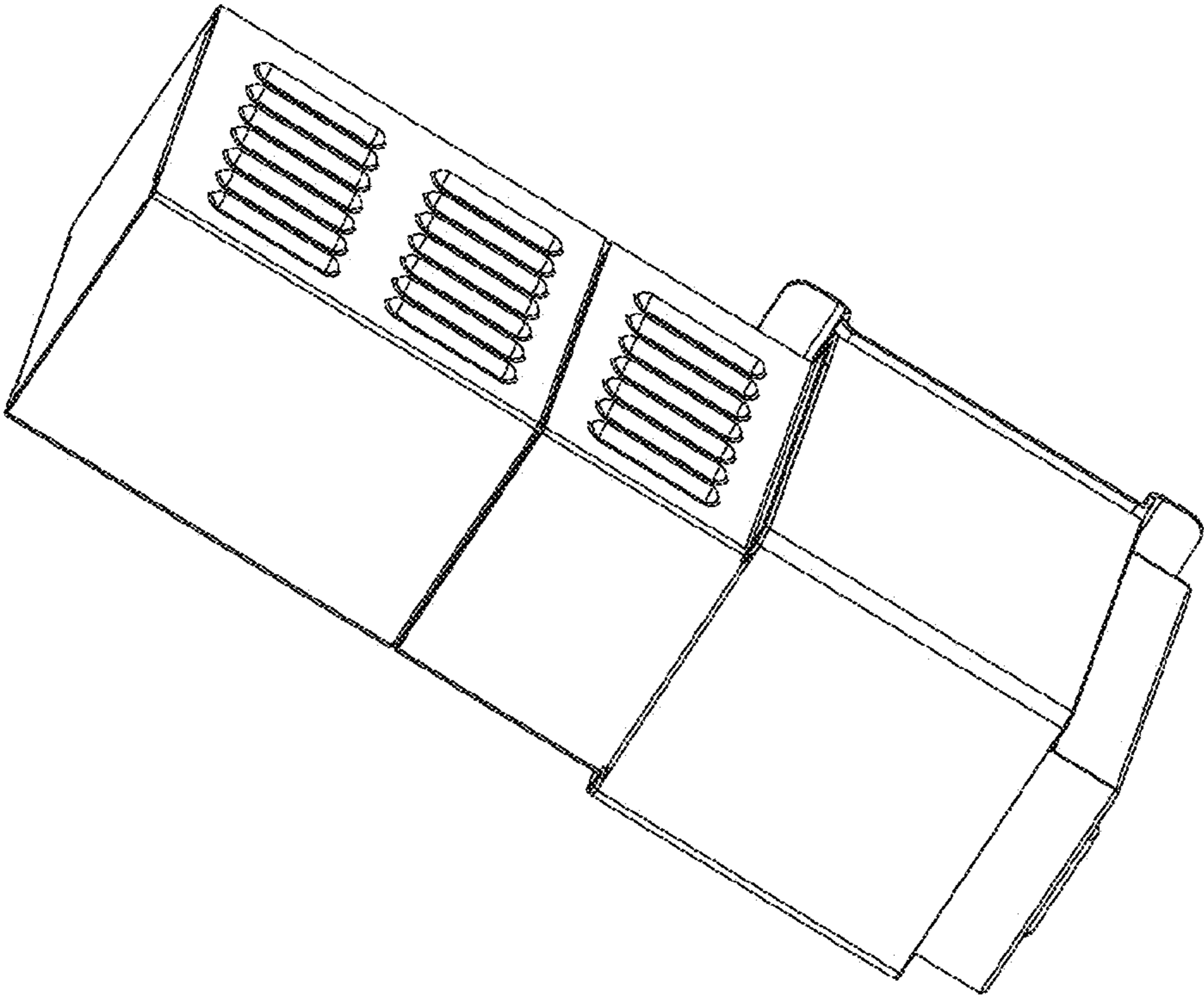


FIG. 2

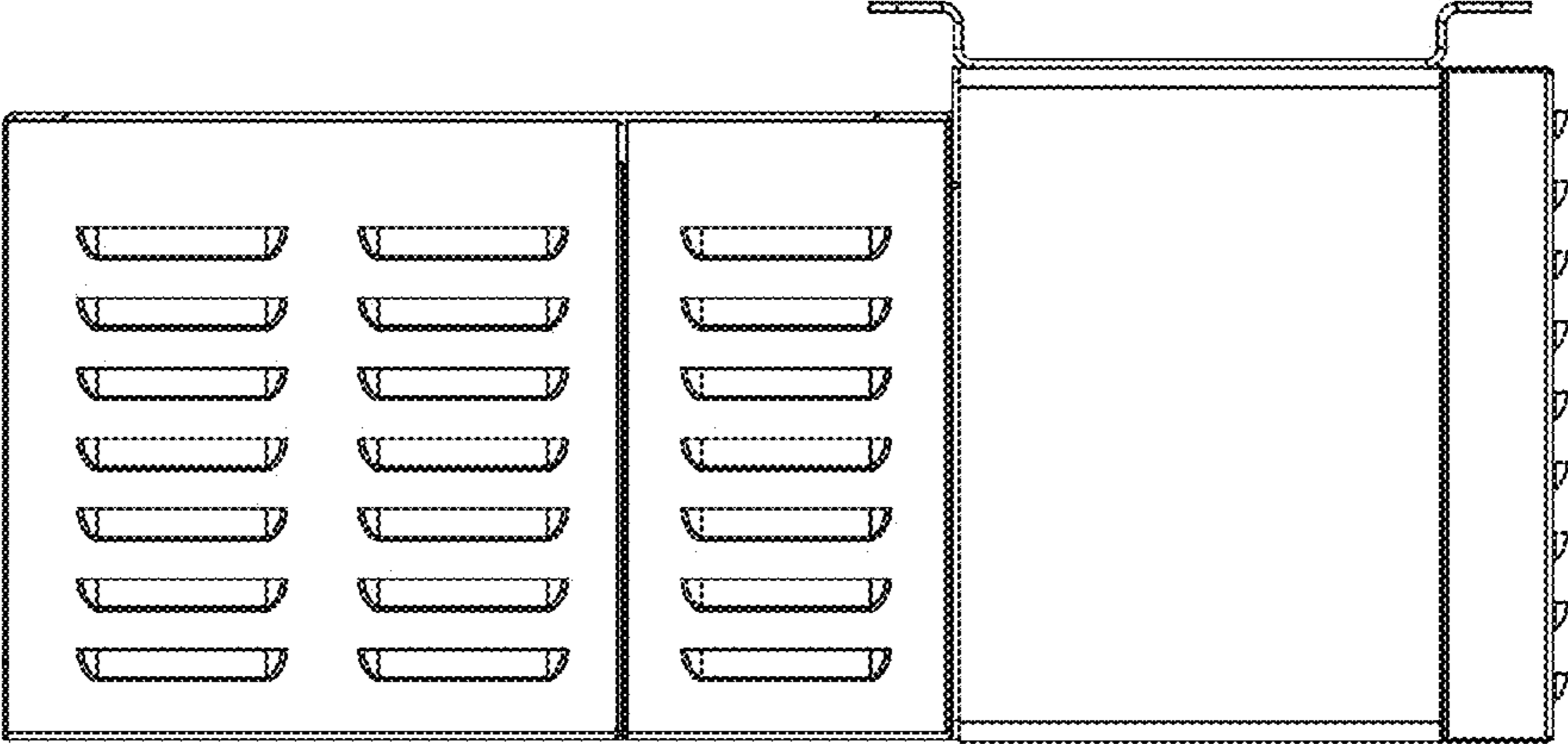


FIG. 3

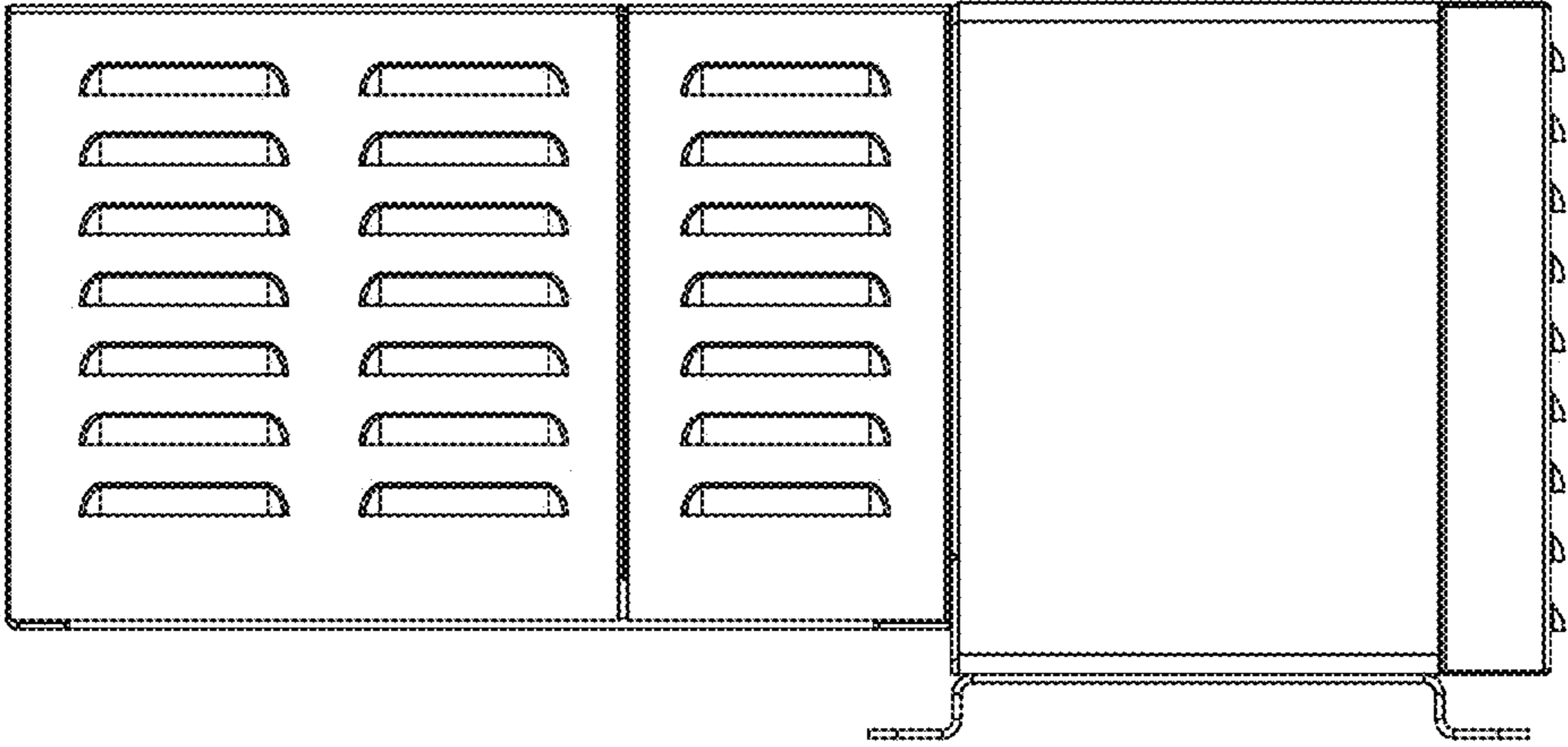


FIG. 4

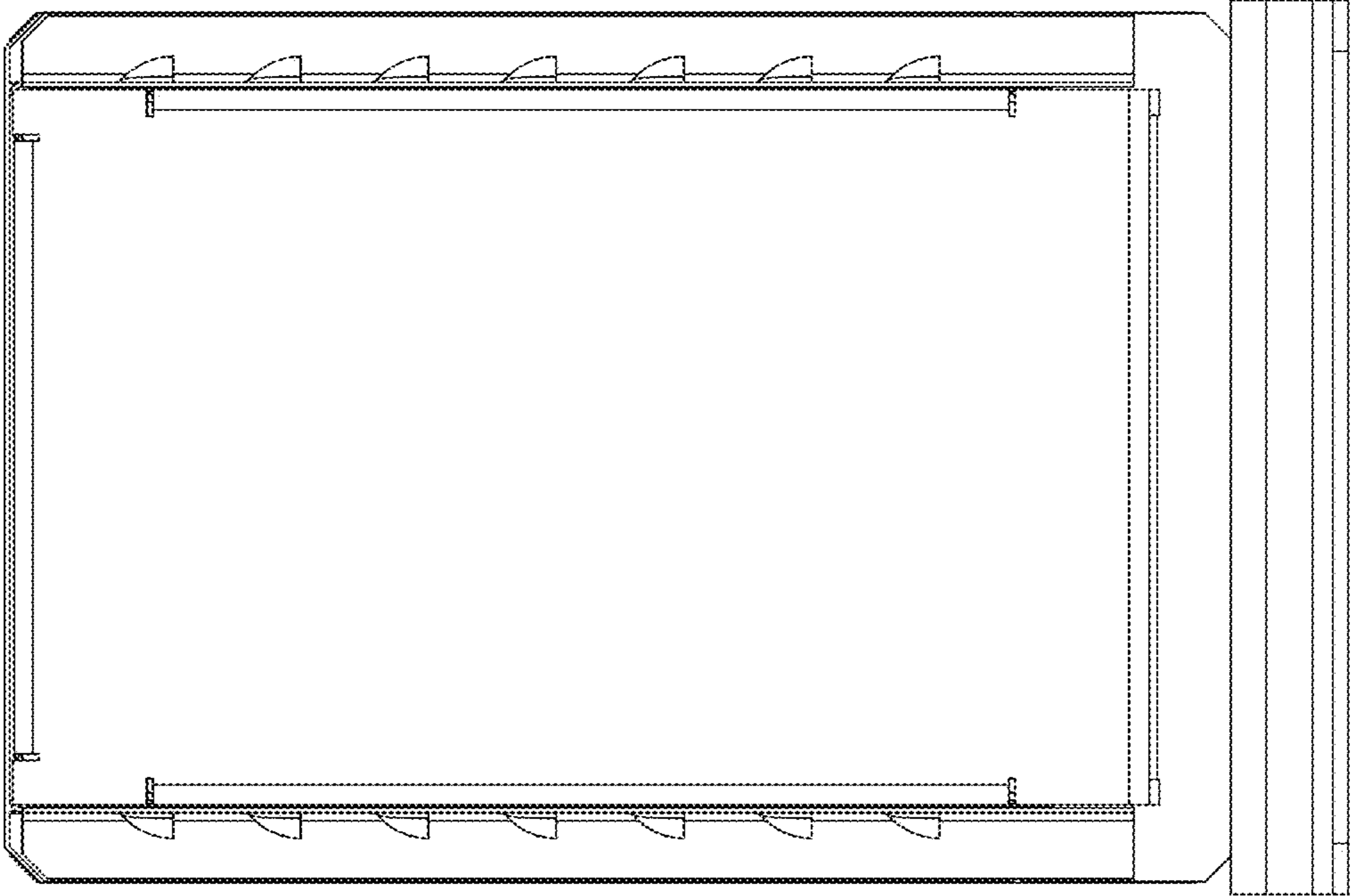


FIG. 5

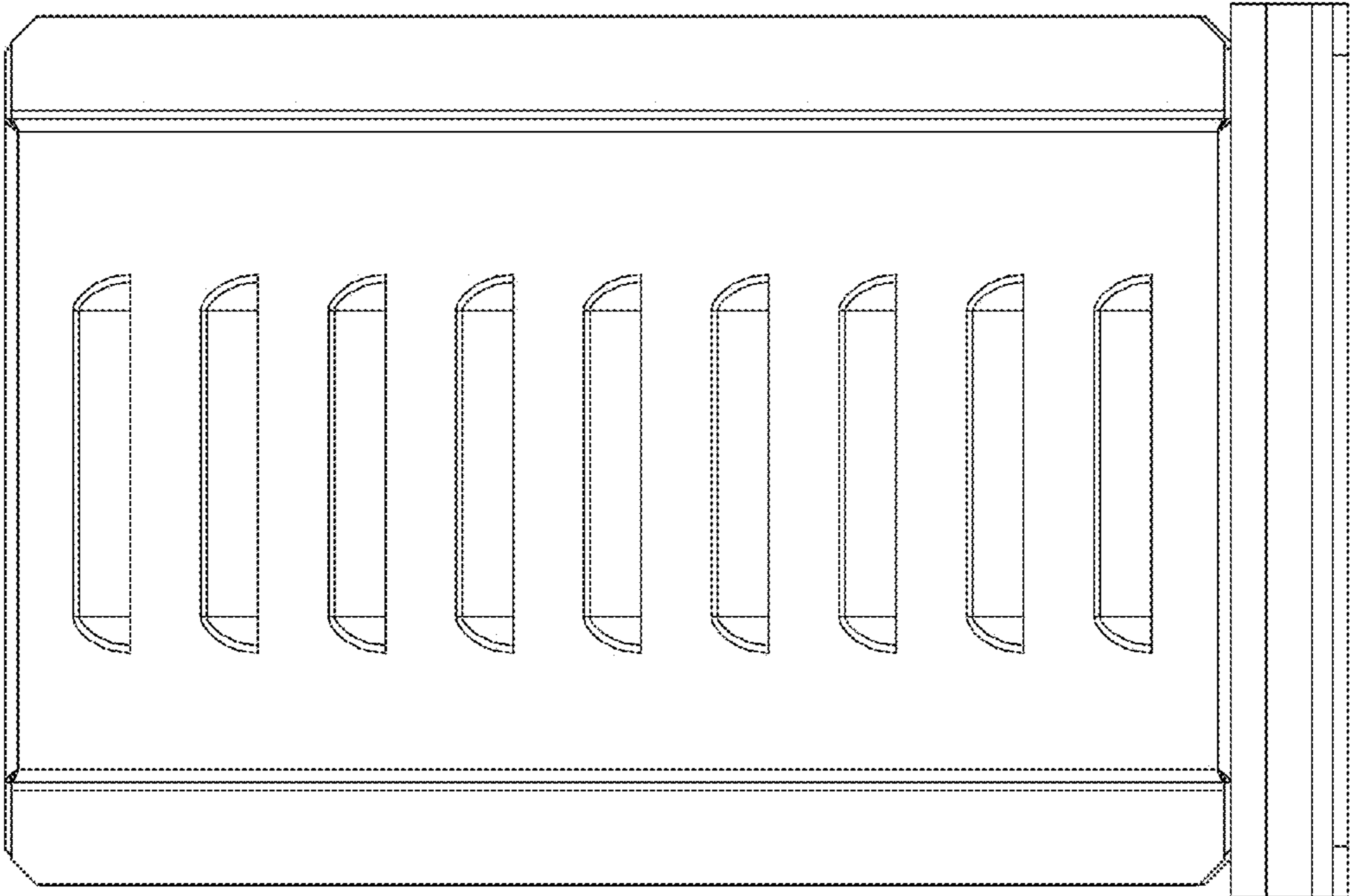


FIG. 6



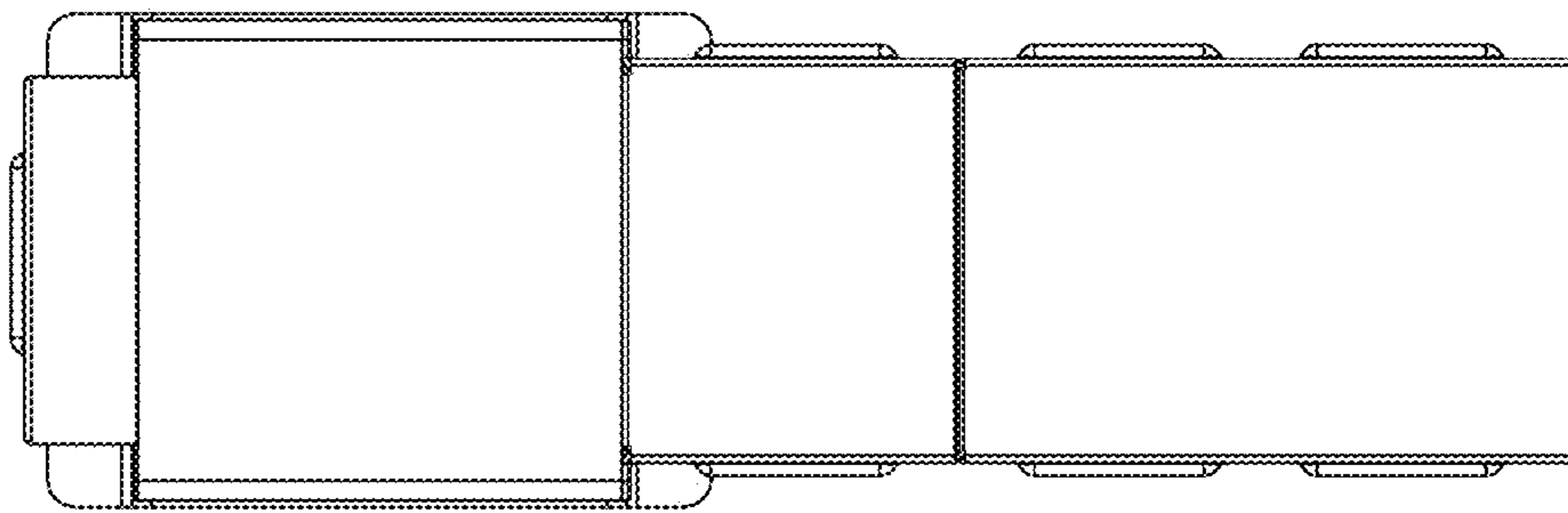


FIG. 7

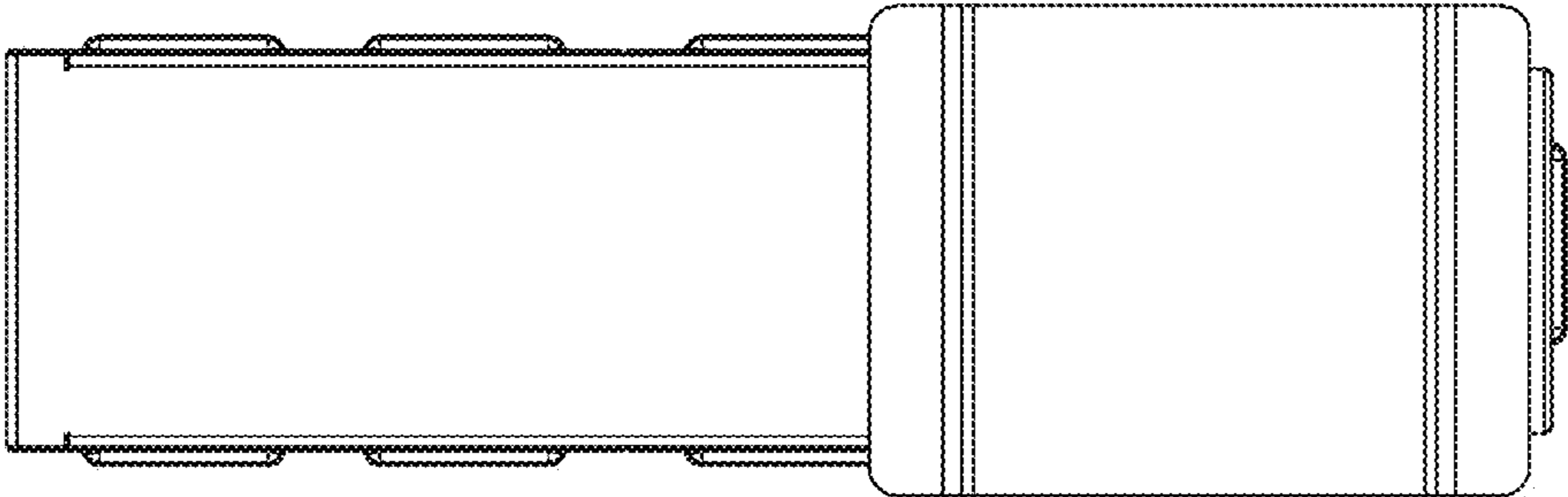


FIG. 8

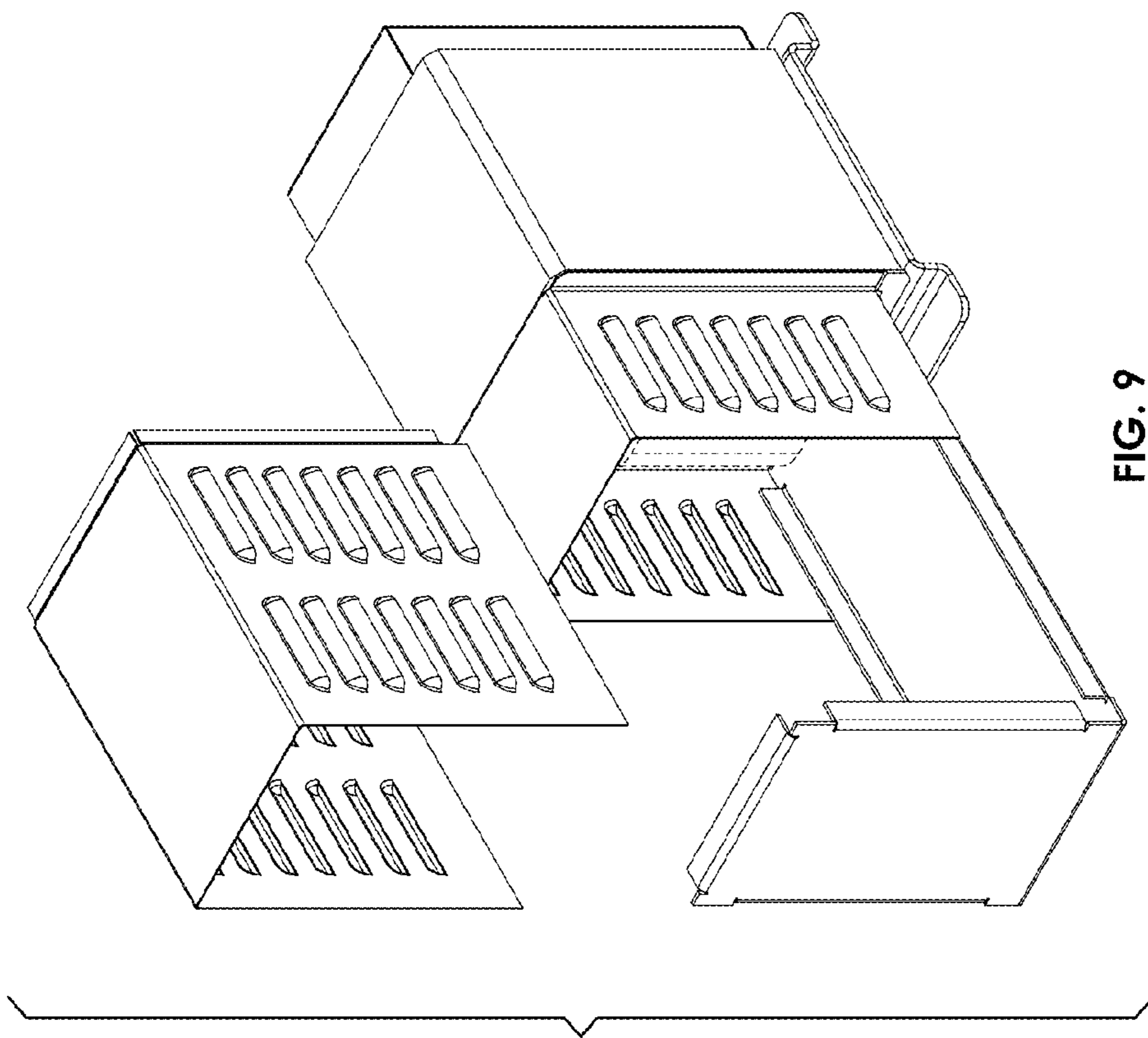


FIG. 9

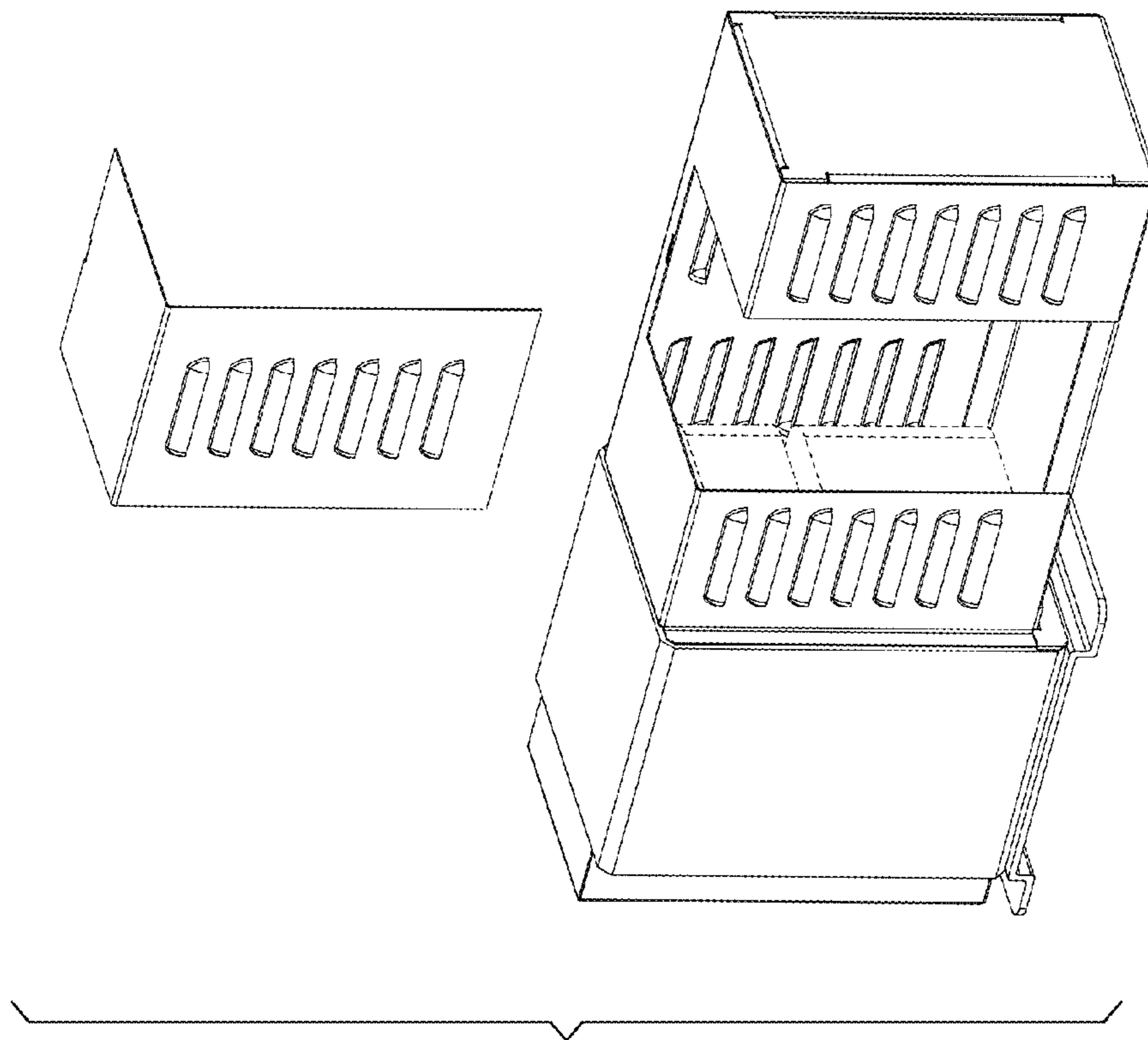


FIG. 10