



US00D761477S

(12) **United States Design Patent**
Guercio et al.

(10) **Patent No.:** **US D761,477 S**
(45) **Date of Patent:** **** Jul. 12, 2016**

(54) **HIGH BAY LED LIGHT RAIL**
(71) Applicant: **RAB Lighting Inc.**, Northvale, NJ (US)
(72) Inventors: **Vincenzo Guercio**, Wallkill, NY (US);
Wengang Gao, Ningbo (CN)
(73) Assignee: **RAB Lighting Inc.**, Northvale, NJ (US)
(**) Term: **14 Years**

D463,059 S * 9/2002 Verfuert D26/78
D465,869 S * 11/2002 Bodell D26/78
6,585,396 B1 * 7/2003 Verfuert F21S 8/06
362/221
7,207,690 B2 * 4/2007 Haugaard F21S 8/06
362/222
D579,139 S 10/2008 Ghini
D595,894 S * 7/2009 Verfuert D26/122
7,628,506 B2 * 12/2009 Verfuert F21S 8/06
362/218

(Continued)

(21) Appl. No.: **29/507,432**
(22) Filed: **Oct. 28, 2014**
(51) **LOC (10) Cl.** **26-03**
(52) **U.S. Cl.**
USPC **D26/76**
(58) **Field of Classification Search**
USPC D26/76, 78, 79, 80, 81, 82, 83, 85, 86,
D26/88, 90, 113, 118, 119, 120, 121, 122,
D26/138, 139, 140, 141, 142
CPC F21S 2/00; F21S 4/00; F21S 4/003;
F21S 4/005; F21S 4/006; F21S 4/007; F21S
4/008; F21S 6/00; F21S 8/00; F21S 8/024;
F21S 8/026; F21S 8/031; F21S 8/033; F21S
8/035-8/037; F21S 8/04; F21S 8/043; F21S
8/063
See application file for complete search history.

FOREIGN PATENT DOCUMENTS

CN 201437977 4/2010
JP D1427641 11/2011

Primary Examiner — George D Kirschbaum
Assistant Examiner — Natasha Vujcic
(74) *Attorney, Agent, or Firm* — SmithAmundsen LLC;
Kelly J. Smith; Stephen L. Farris

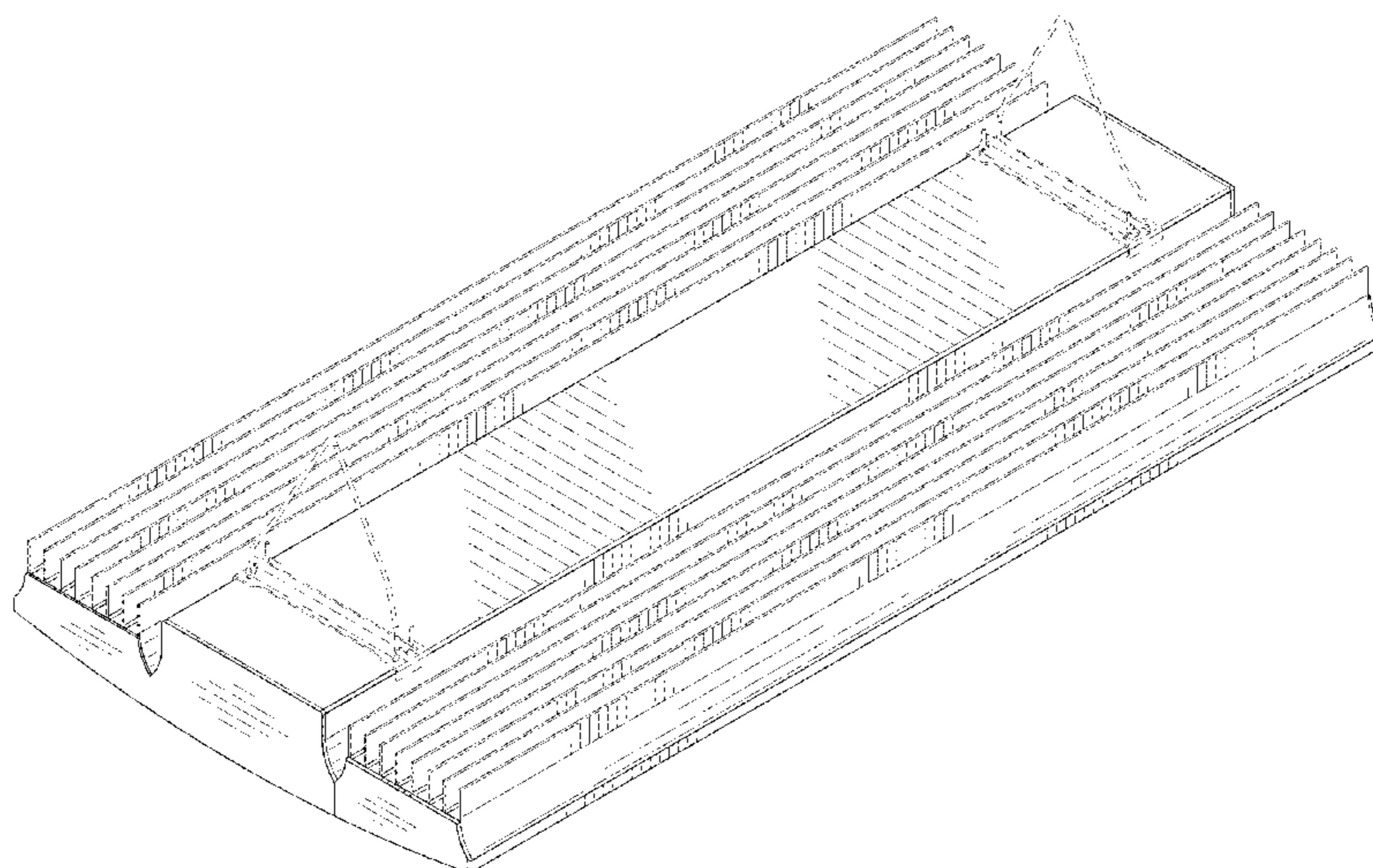
(57) **CLAIM**
The ornamental design for an high bay LED light rail, as shown and described.

DESCRIPTION

FIG. 1 is a top perspective view of the new design;
FIG. 2 is a bottom perspective view of the new design;
FIG. 3 is a top view of the new design;
FIG. 4 is a bottom view of the new design;
FIG. 5 is a front view of the new design; and,
FIG. 6 is a left side view of the new design.
The broken lines shown in the drawings are for the purpose of illustrating portions of the article that form no part of the claimed design. The rear view of the new design is a mirror image of the front view of the new design and is therefore omitted. Similarly, the right side view of the new design is a mirror image of the left side view of the new design and is therefore omitted.

(56) **References Cited**
U.S. PATENT DOCUMENTS
D122,145 S * 8/1940 MacCarthy 362/219
D127,890 S 6/1941 Ohm
D127,892 S 6/1941 Ohm
D129,836 S 10/1941 Koegel
D147,812 S * 11/1947 Picker D26/78
D180,537 S 6/1957 Stevens
D204,797 S 5/1966 McCormack
D246,330 S 11/1977 Krase et al.
5,228,773 A 7/1993 Win
D447,266 S * 8/2001 Verfuert D26/76

1 Claim, 5 Drawing Sheets



US D761,477 S

Page 2

(56)

References Cited

U.S. PATENT DOCUMENTS

			8,136,958 B2 *	3/2012	Verfuert	F21V 15/01
							362/148
			D717,483 S	11/2014	Barnes et al.		
			D735,931 S *	8/2015	Lehman	D26/121
D617,935 S	6/2010	Miletich et al.					
D632,418 S *	2/2011	Bisberg	D26/76			

* cited by examiner

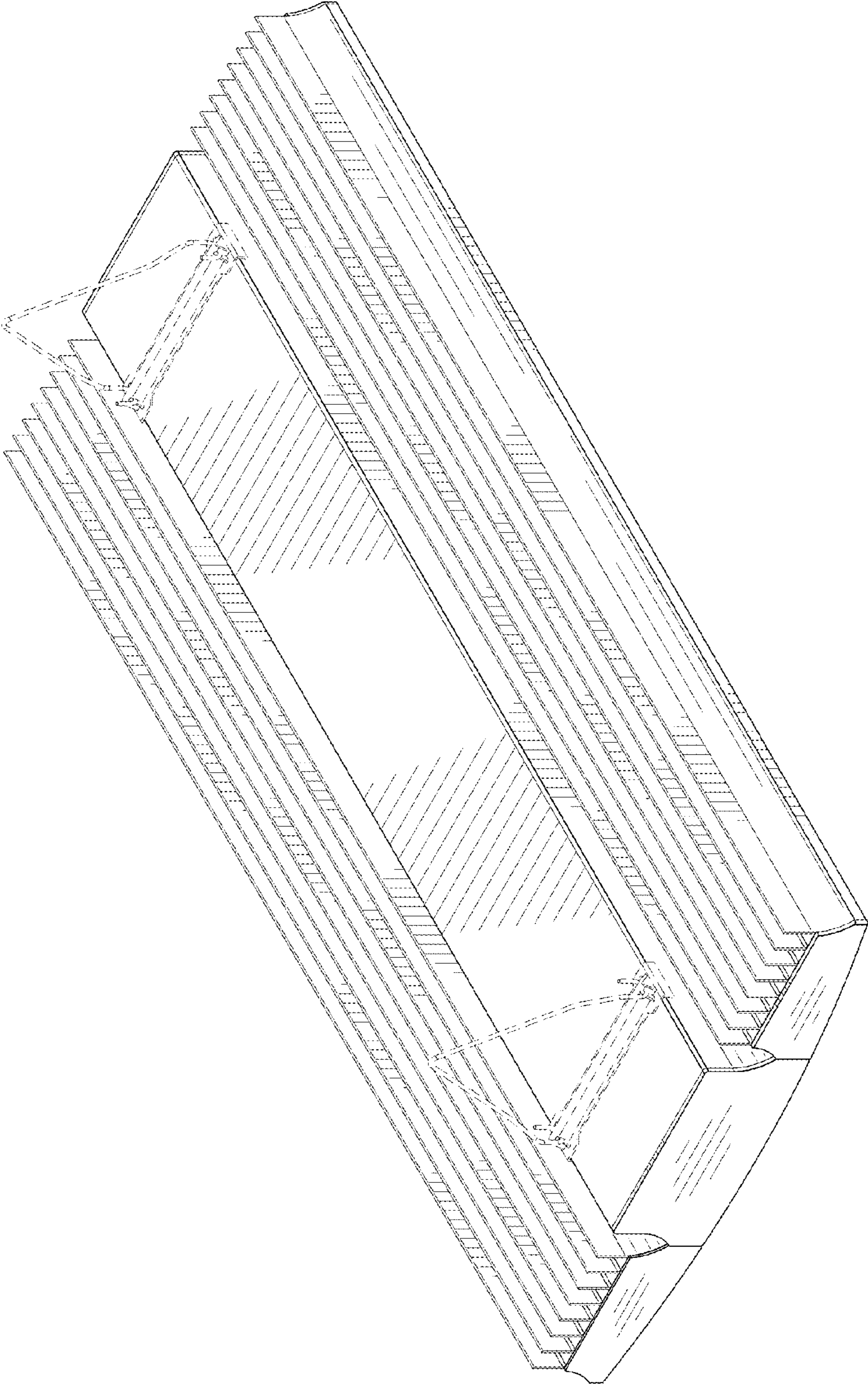


FIG. 1

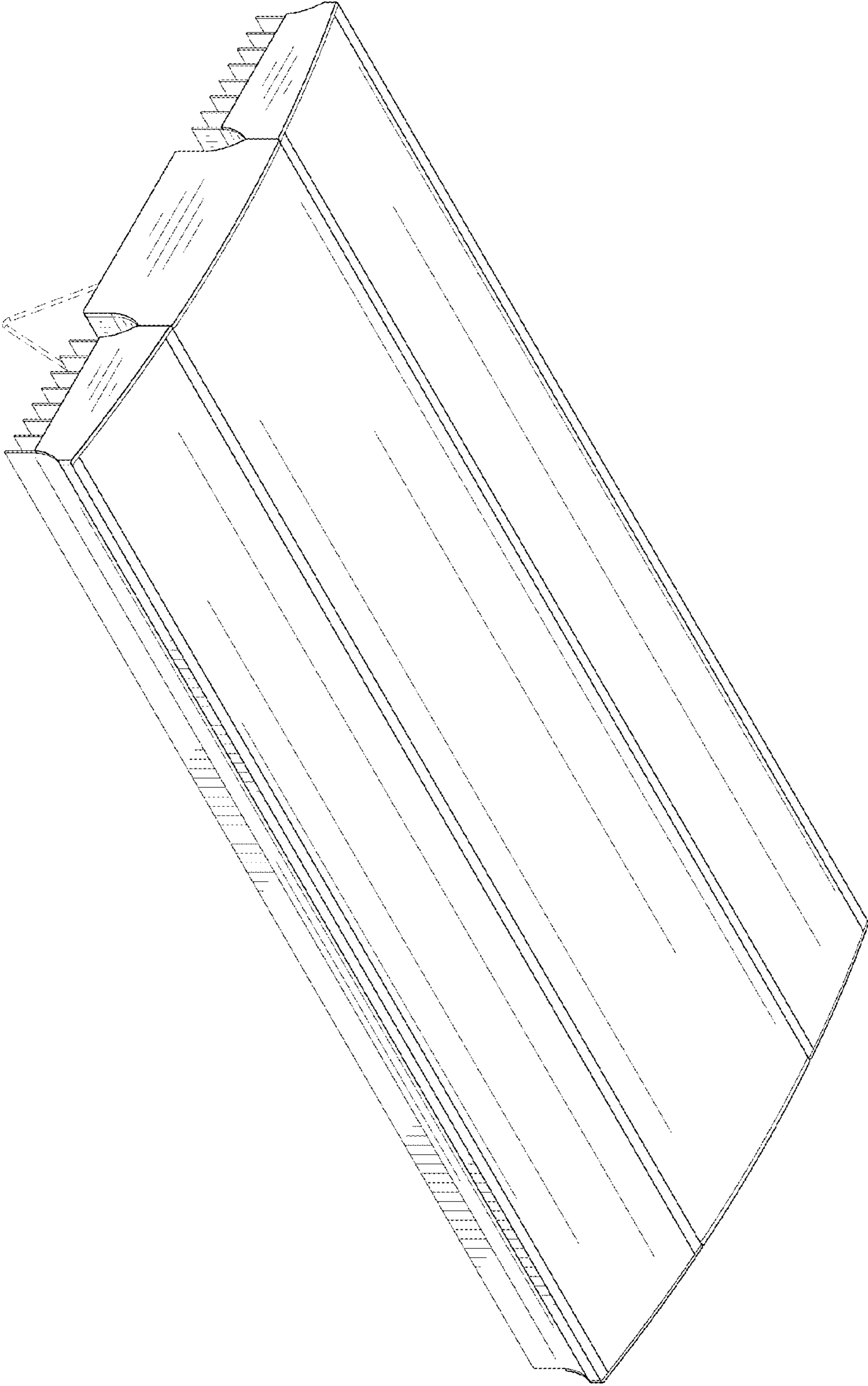


FIG. 2

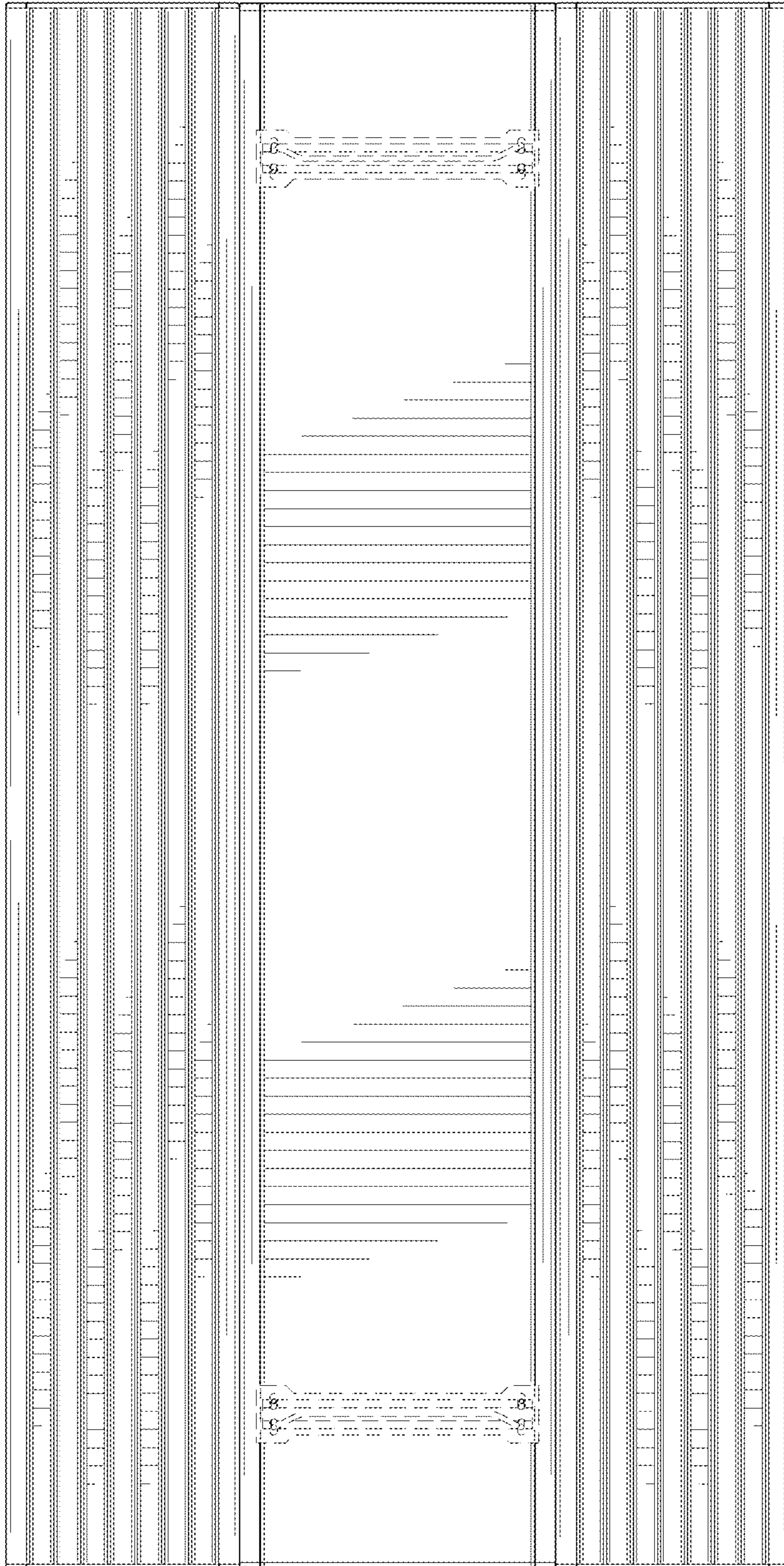


FIG. 3

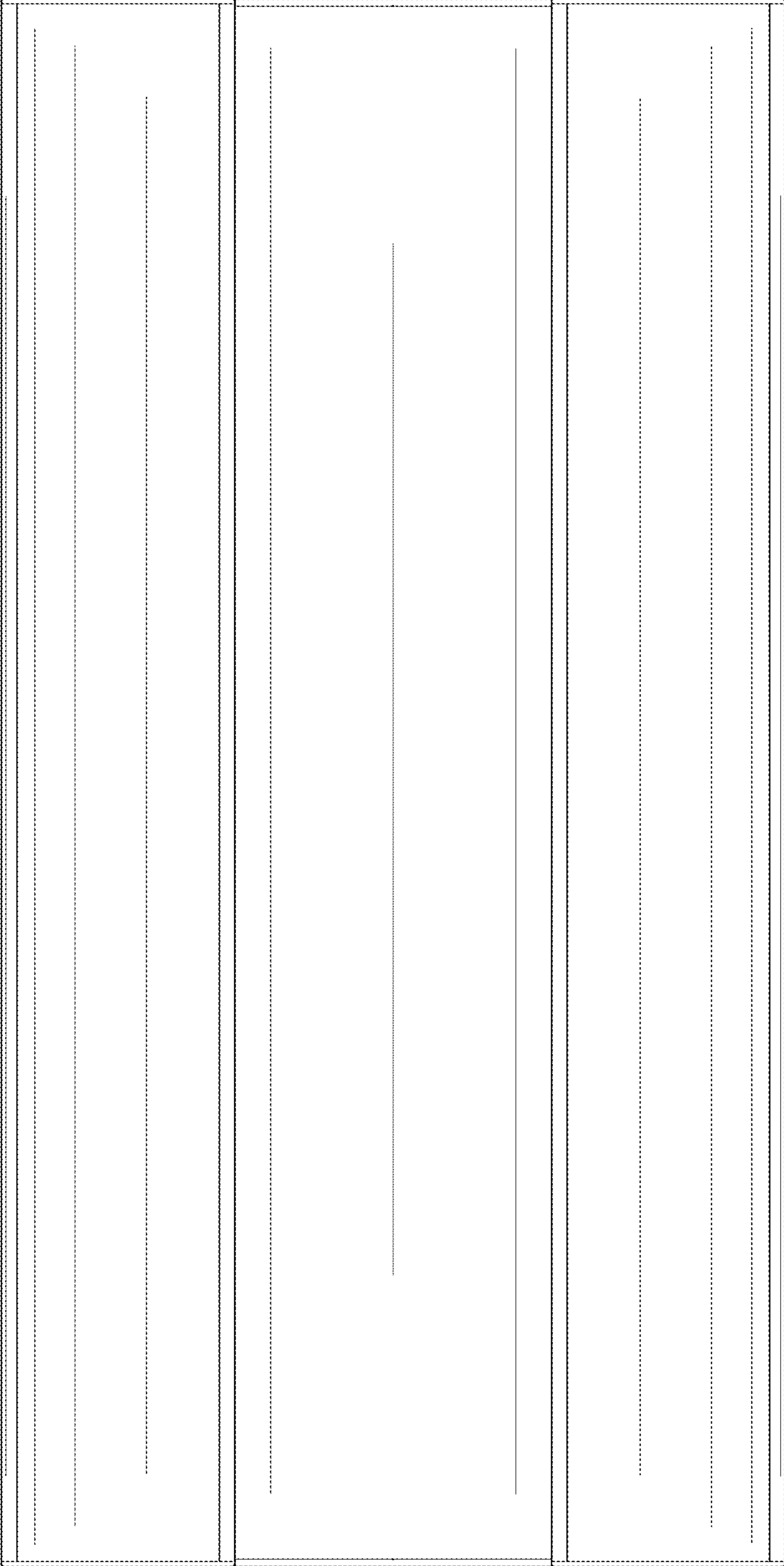


FIG. 4

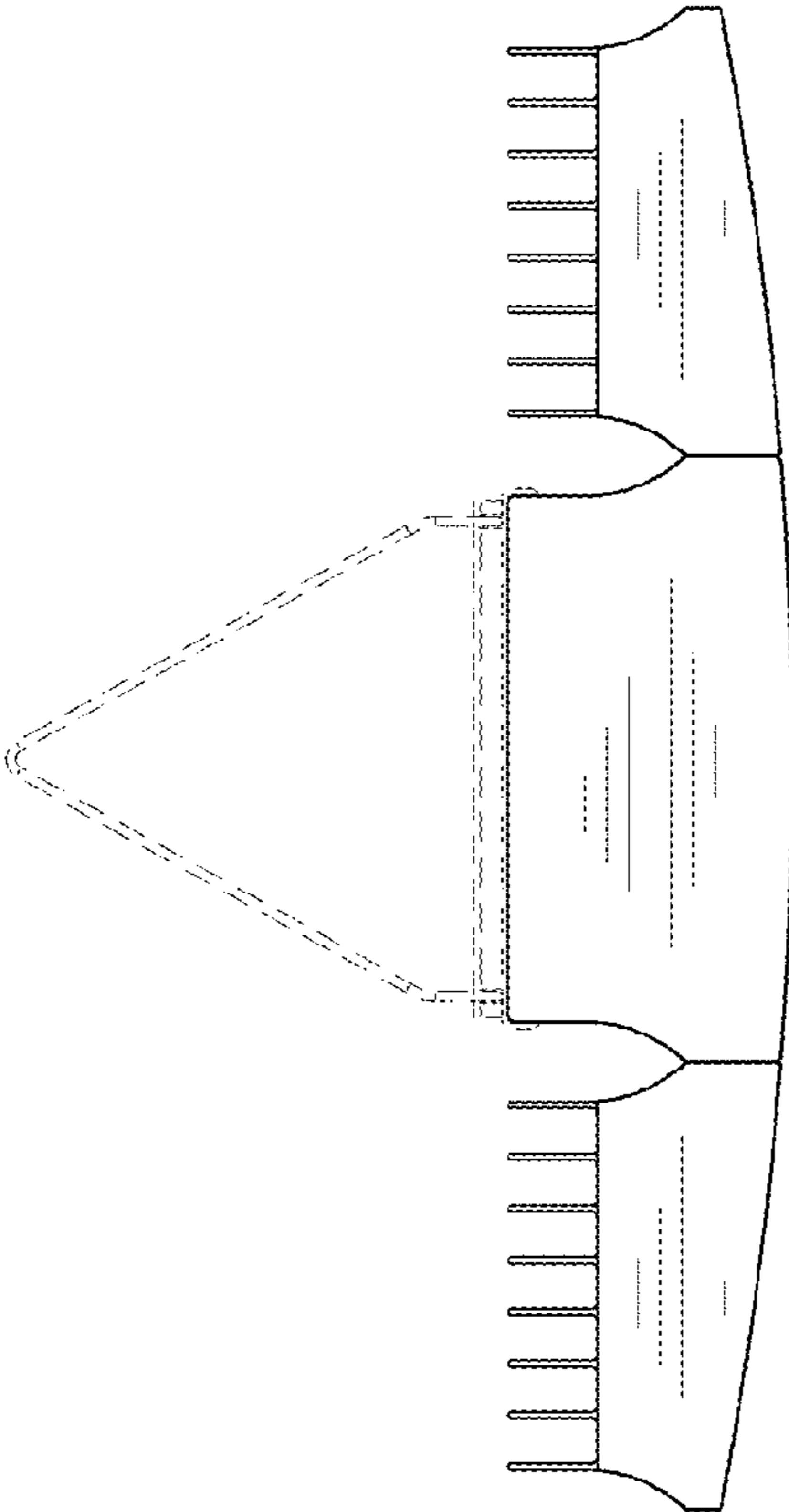


FIG. 5

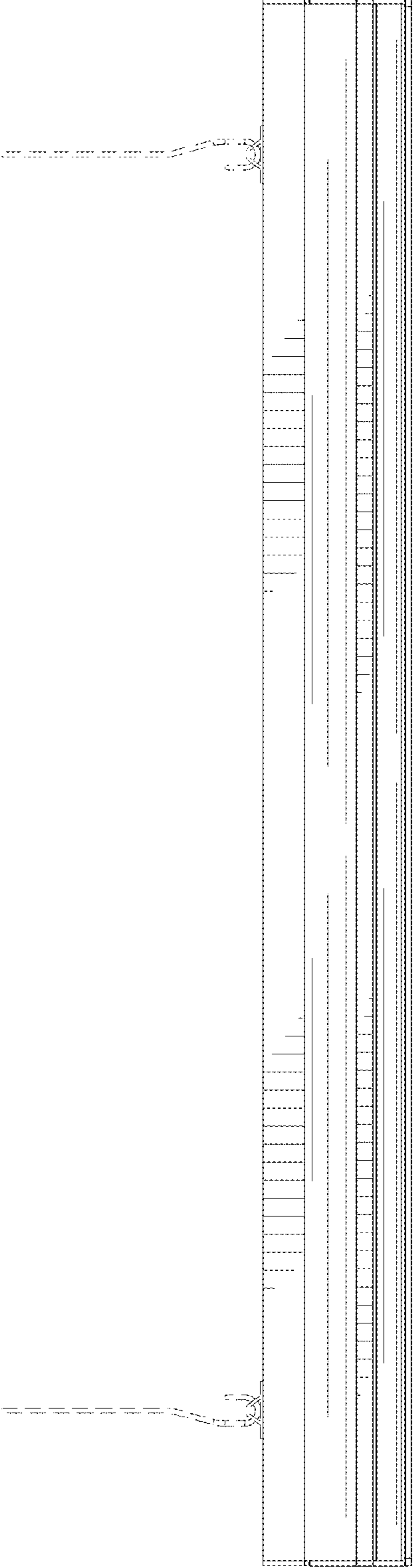


FIG. 6