



US00D761476S

(12) **United States Design Patent**
Shah et al.

(10) **Patent No.:** **US D761,476 S**
(45) **Date of Patent:** **** Jul. 12, 2016**

(54) **LIGHTING DEVICE**

DESCRIPTION

(71) Applicants: **Paresh Shah**, Fairfield, NJ (US);
Jonathan Walsh, Fairfield, NJ (US)
(72) Inventors: **Paresh Shah**, Fairfield, NJ (US);
Jonathan Walsh, Fairfield, NJ (US)
(73) Assignee: **AMERLUX LLC**, Oakland, NJ (US)
(**) Term: **14 Years**
(21) Appl. No.: **29/492,730**
(22) Filed: **Jun. 2, 2014**
(51) **LOC (10) Cl.** **26-03**
(52) **U.S. Cl.**
USPC **D26/76**
(58) **Field of Classification Search**
USPC D26/24, 39, 59, 67, 68, 69, 70, 71, 72,
D26/74, 76, 77, 80, 88, 89, 98, 138, 139,
D26/140, 141, 142, 151, 152
CPC F24S 4/001; F24S 4/005; F24S 8/00;
F24S 8/04; F24S 8/043; F24S 8/046; F24S
8/06-8/065; F24S 13/02; F24S 13/04; F24S
13/06
See application file for complete search history.

FIG. 1 is a front facing perspective view of the ornamental design for the lighting device;
FIG. 2 is a front view of the ornamental design for the lighting device;
FIG. 3 is a rear view of the ornamental design for the lighting device;
FIG. 4 is an enlarged, right rear partial view of the lighting device taken from the 4-4 line indicated in FIG. 3;
FIG. 5 is an enlarged left side partial view of the lighting device taken from the 5-5 line indicated in FIG. 2;
FIG. 6 is an enlarged right side partial view of the lighting device taken from the 6-6 line indicated in FIG. 2;
FIG. 7 is an alternative enlarged right side partial view of a portion of the lighting device taken from the 7-7 line indicated in FIG. 2;
FIG. 8 is a perspective bottom view of lighting device;
FIG. 9 is a perspective front view of the lighting device in a disassembled condition wherein a lighting insert portion is removed from the frame portion of the device;
FIG. 10 is a top view of the lighting device in a disassembled condition wherein a lighting insert portion is removed from the frame portion of the device;
FIG. 11 is a bottom perspective view of the lighting insert portion of the lighting device;
FIG. 12 is an enlarged left front partial view of the lighting device taken from the 12-12 line indicated in FIG. 10;
FIG. 13 is an enlarged right front partial view of the lighting device taken from the 13-13 line indicated in FIG. 10;
FIG. 14 is a rear perspective view of the lighting insert portion of the lighting device;
FIG. 15 is a top perspective view of the frame portion of the lighting device;
FIG. 16 is a bottom perspective view of the frame portion of the lighting device.
The broken lines in the drawings illustrate portions of the lighting device which form no part of the claimed design.
The break lines in the drawings indicate that the appearance of any portion of the lighting device between the break lines forms no part of the claimed design.

(56) **References Cited**

U.S. PATENT DOCUMENTS

D147,467 S * 9/1947 Meyer D26/76
D300,874 S * 4/1989 Szymanek D26/76

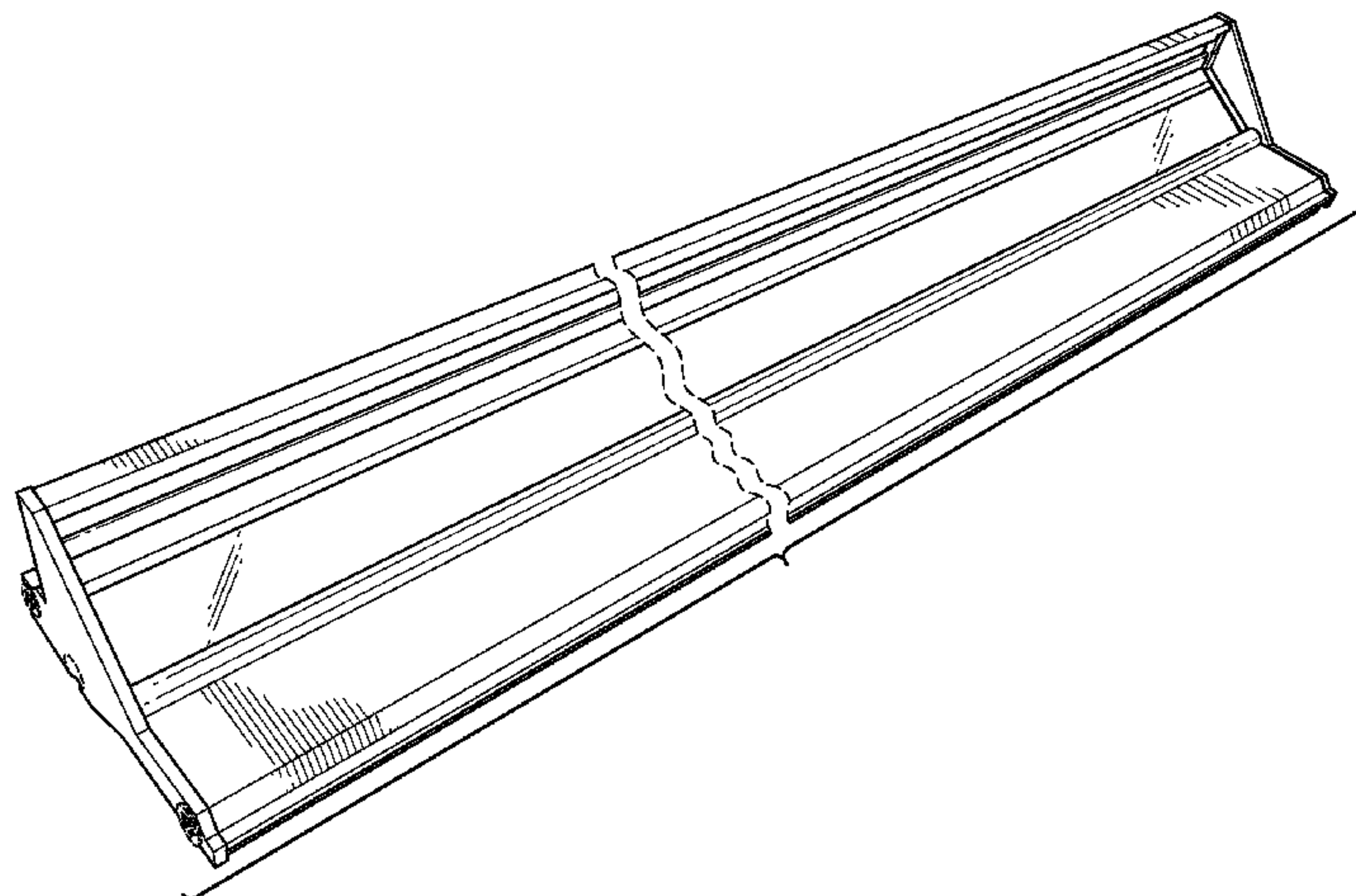
(Continued)

Primary Examiner — George D Kirschbaum
Assistant Examiner — Natasha Vujcic
(74) *Attorney, Agent, or Firm* — Day Pitney LLP

(57) **CLAIM**

The ornamental design for a lighting device, as shown and described.

1 Claim, 12 Drawing Sheets



US D761,476 S

Page 2

(56)

References Cited

U.S. PATENT DOCUMENTS

D308,259 S * 5/1990 Burkarth D26/78
D373,963 S * 9/1996 Nagai D10/85
D547,481 S * 7/2007 Tseng D26/75

D617,489 S * 6/2010 Santoro D26/76
D626,839 S * 11/2010 Gross D25/119
D669,211 S * 10/2012 Larson D26/138
D744,690 S * 12/2015 Boyer D26/76

* cited by examiner

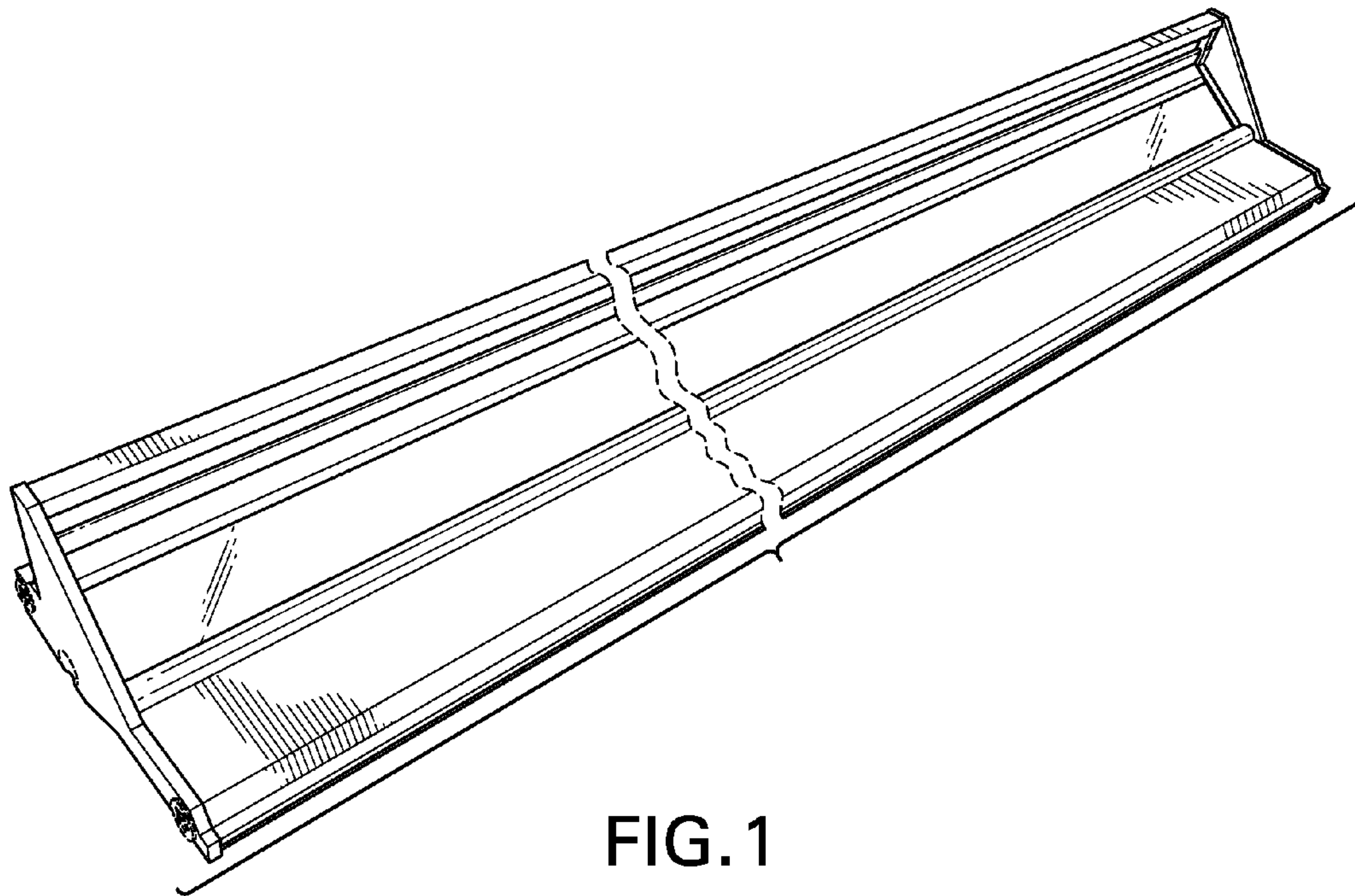


FIG. 1

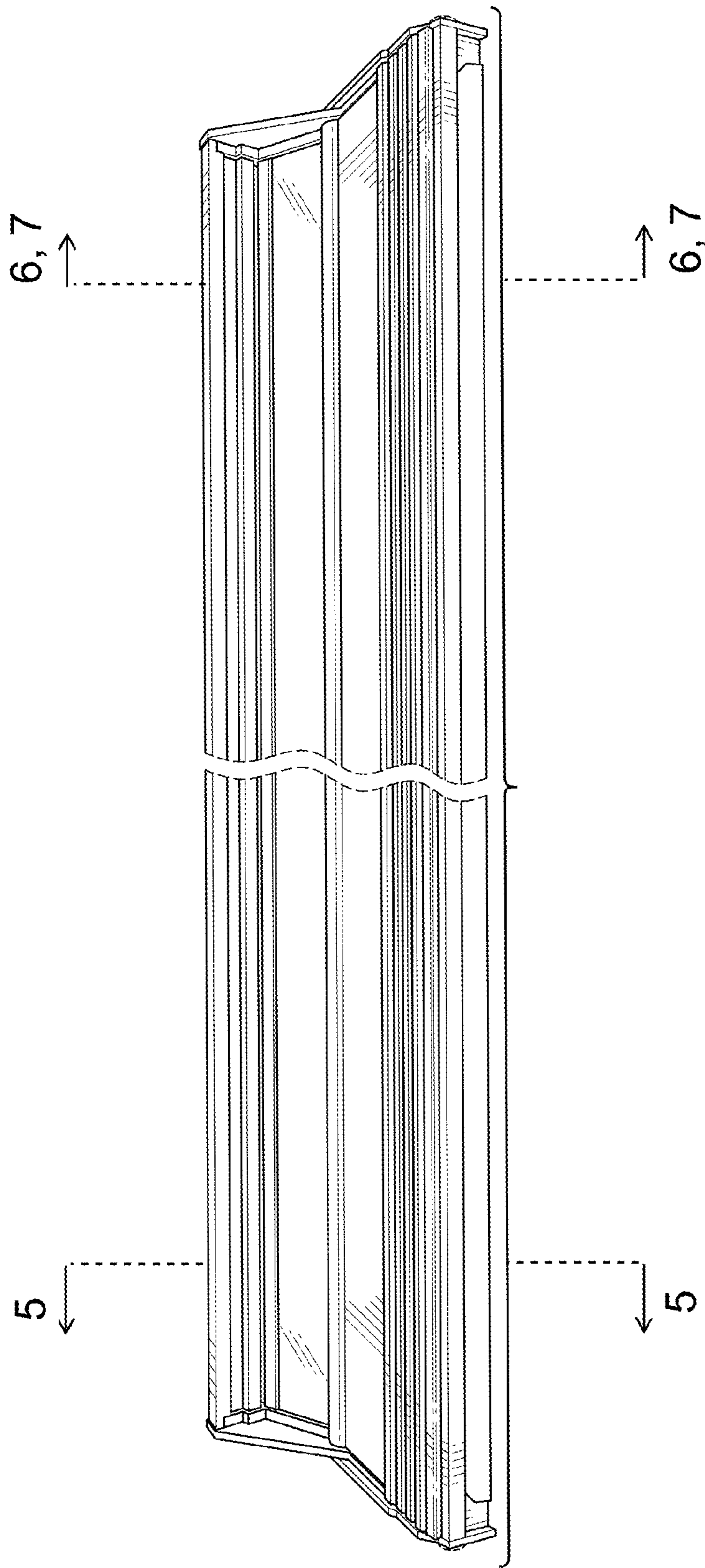


FIG. 2

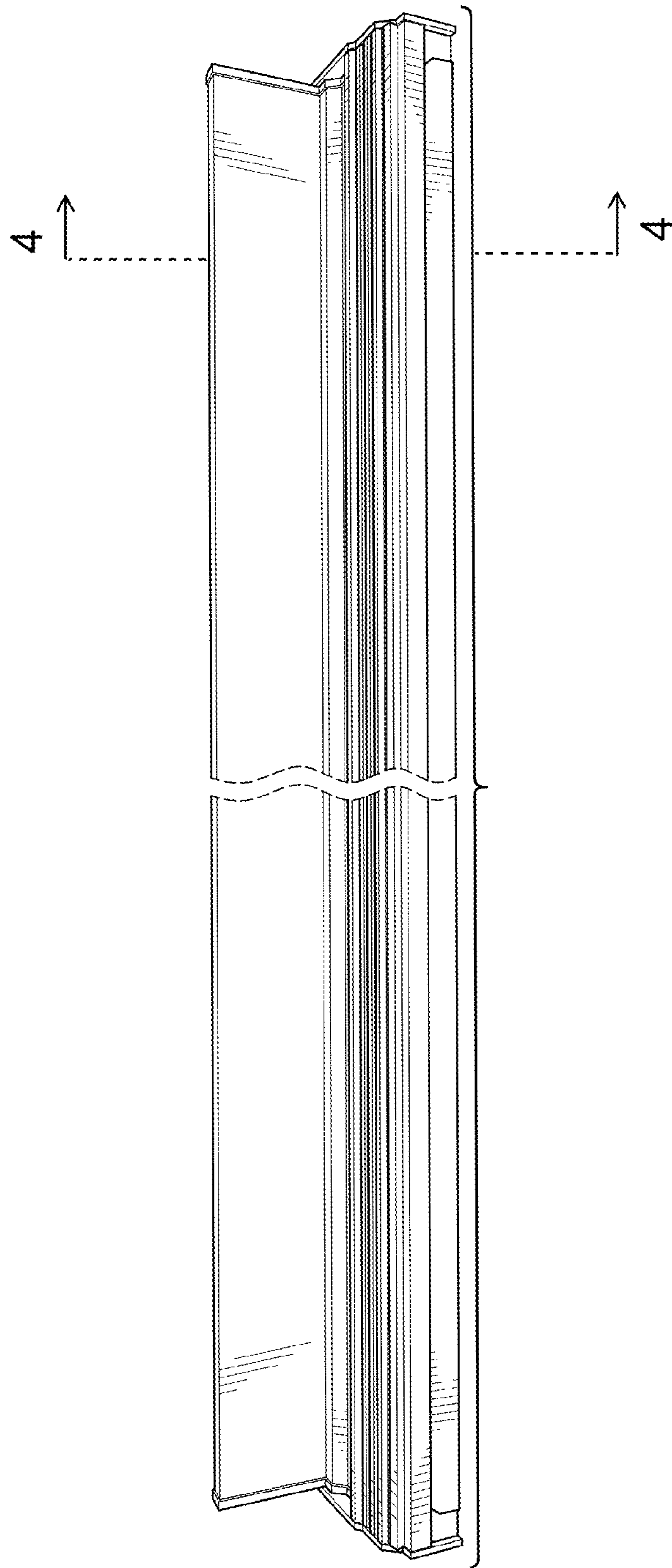


FIG. 3

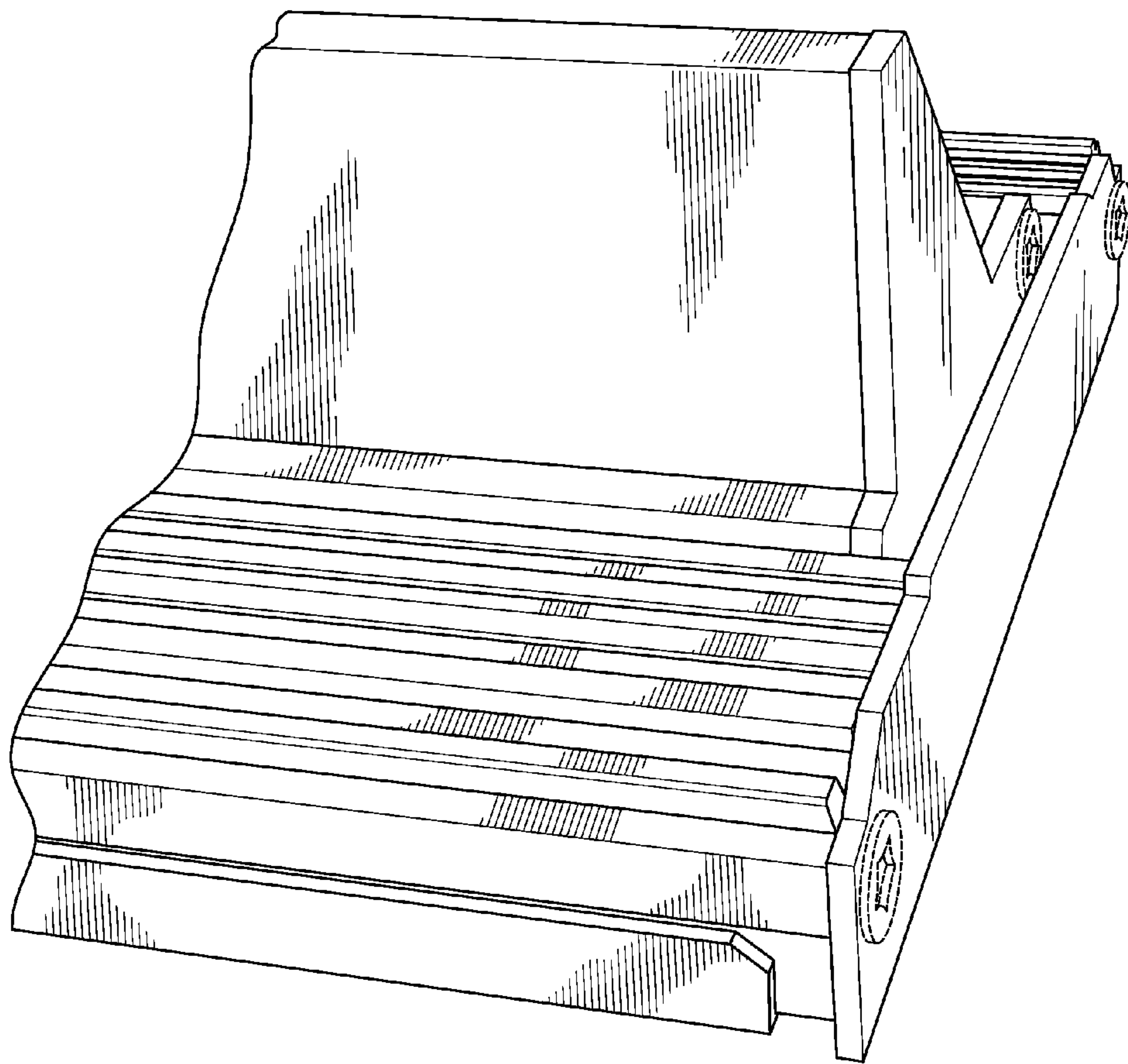


FIG.4

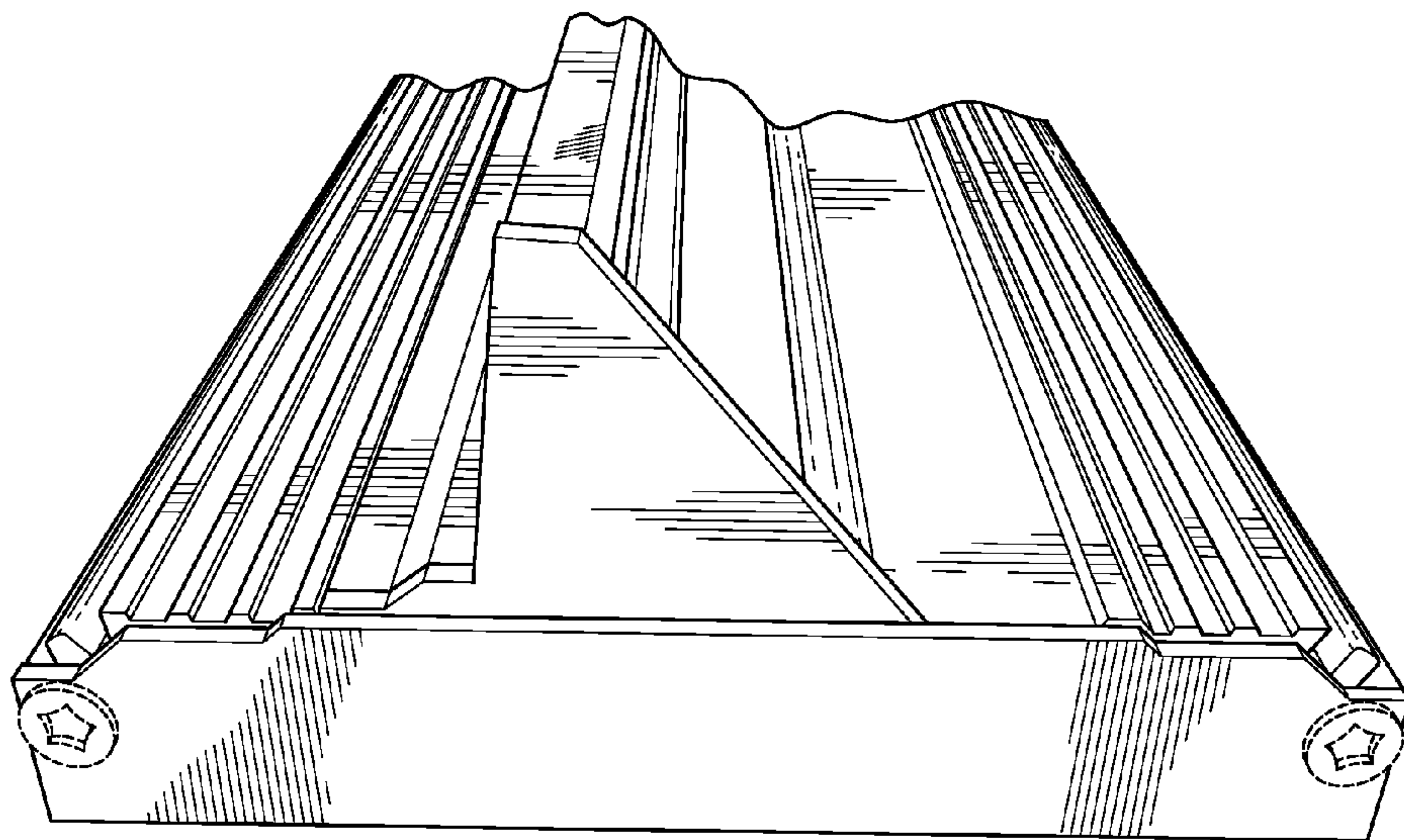


FIG.5

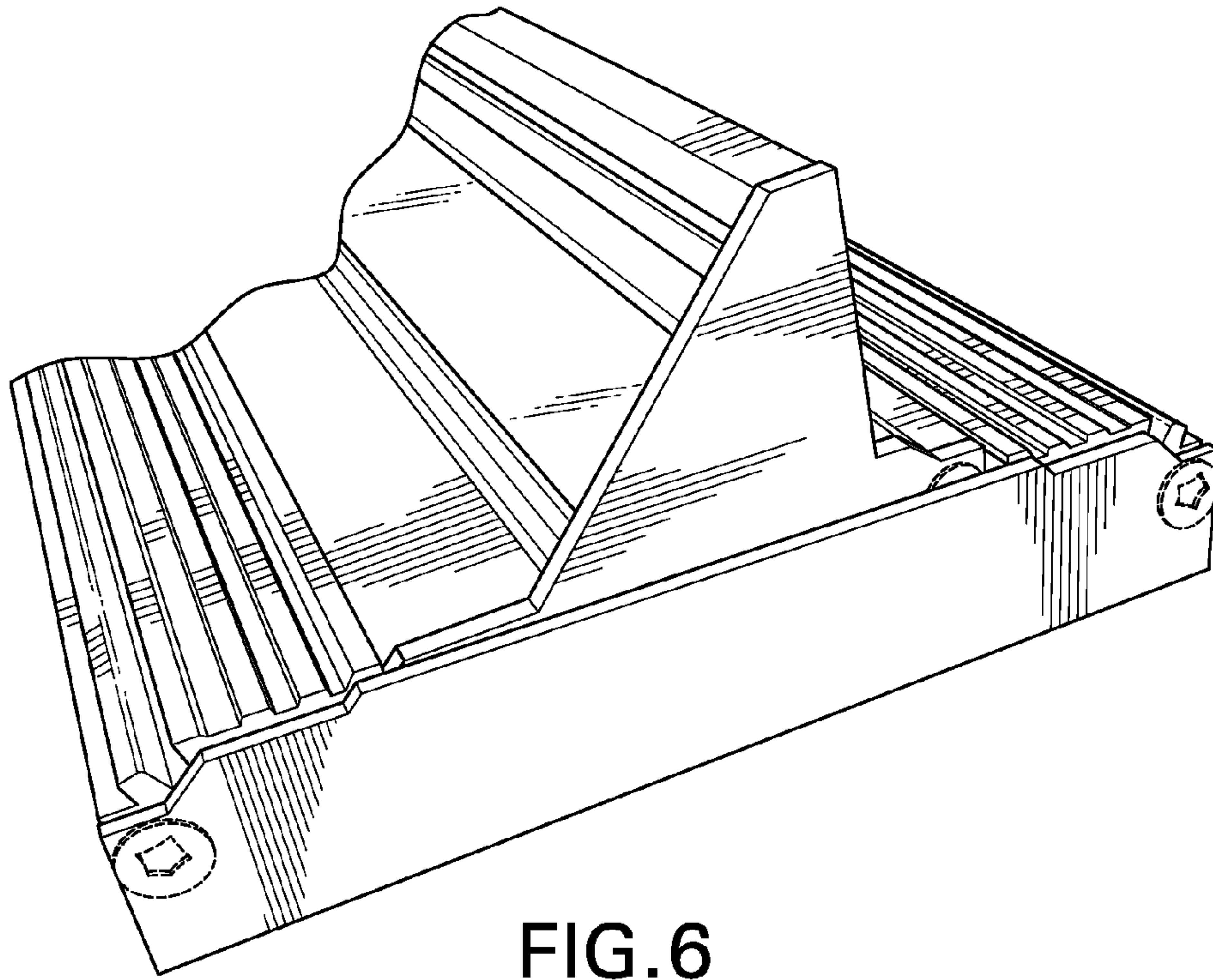


FIG. 6

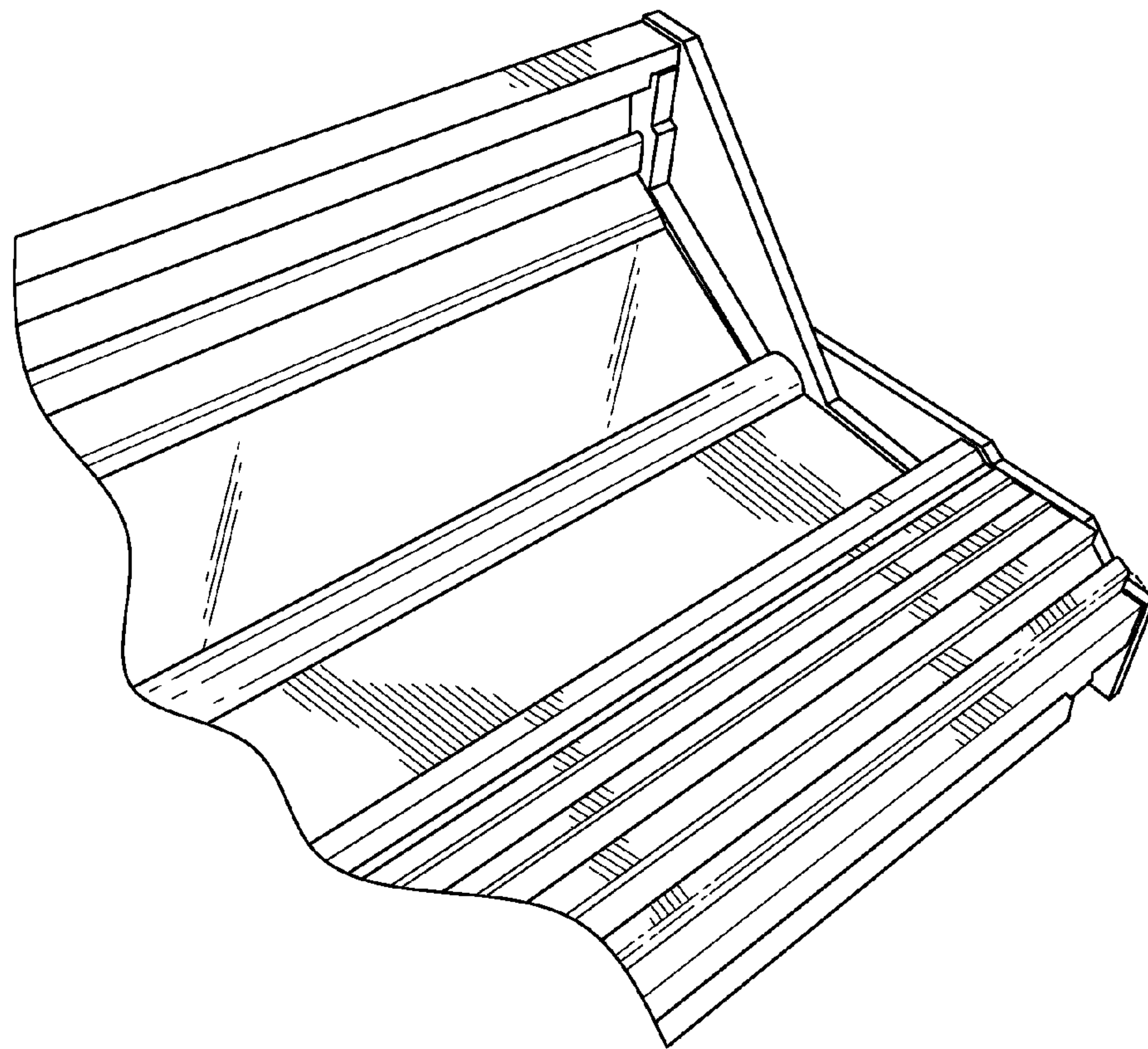


FIG. 7

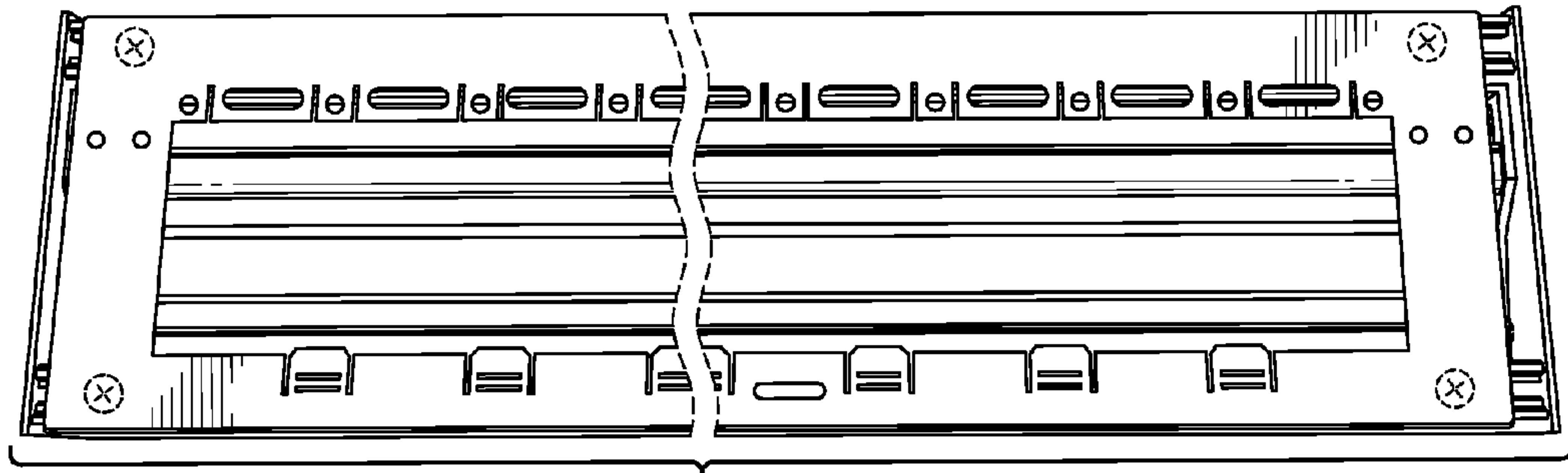


FIG. 8

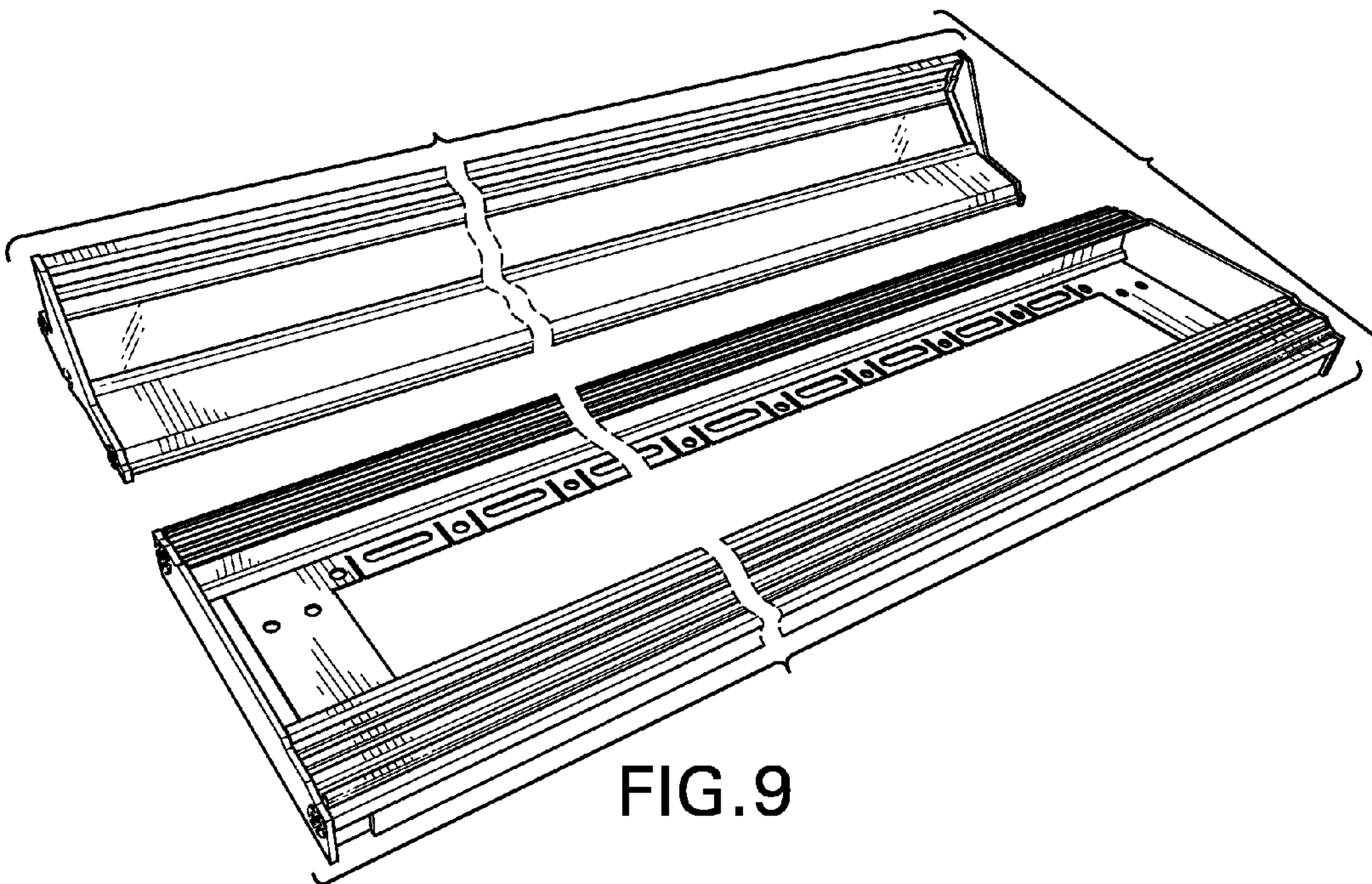


FIG. 9

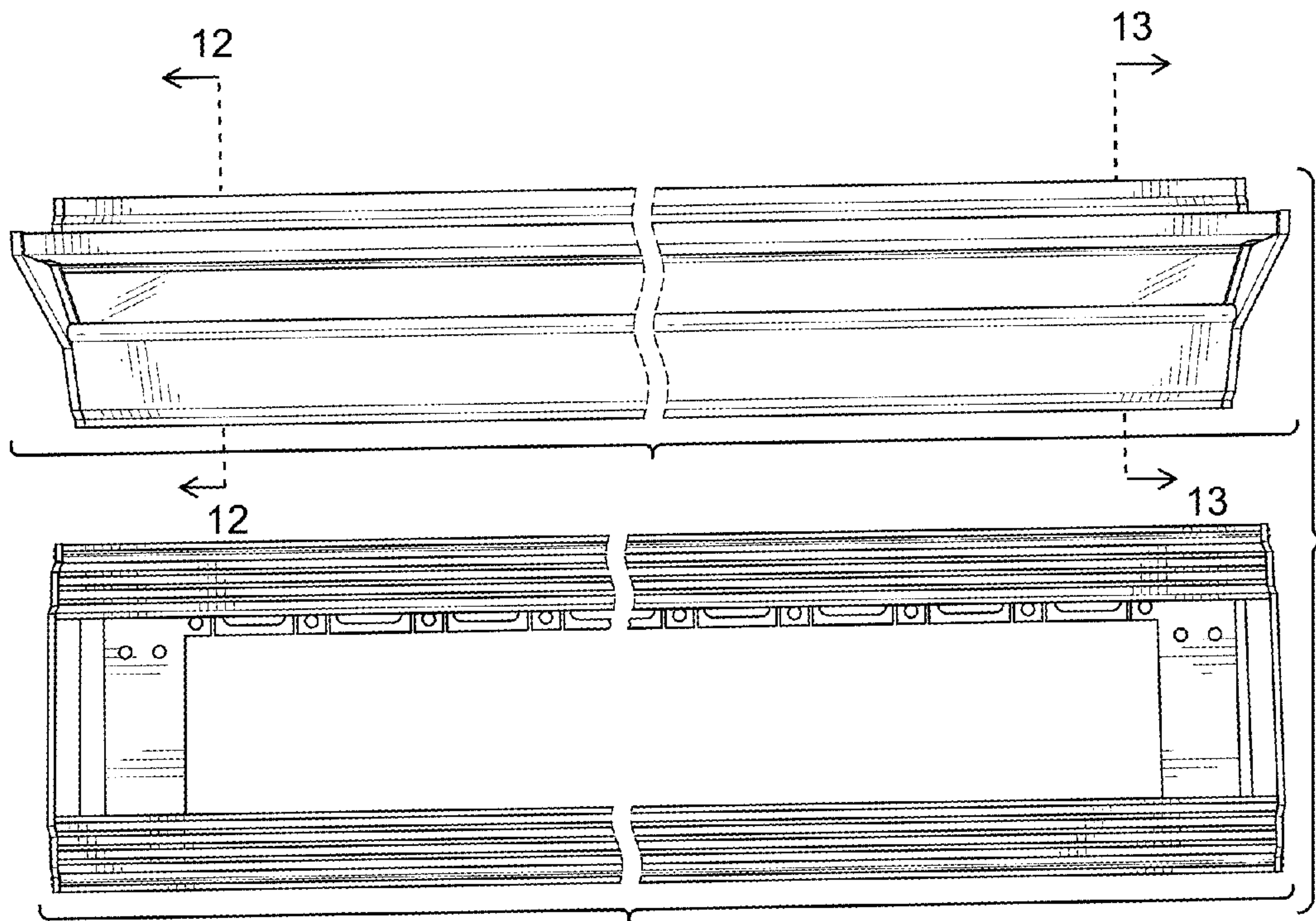


FIG. 10

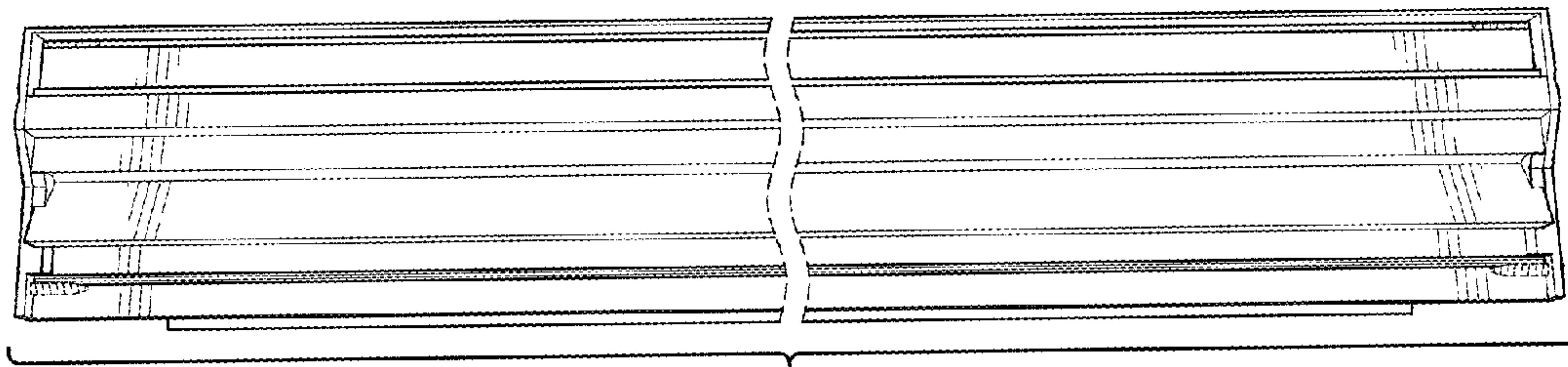


FIG. 11

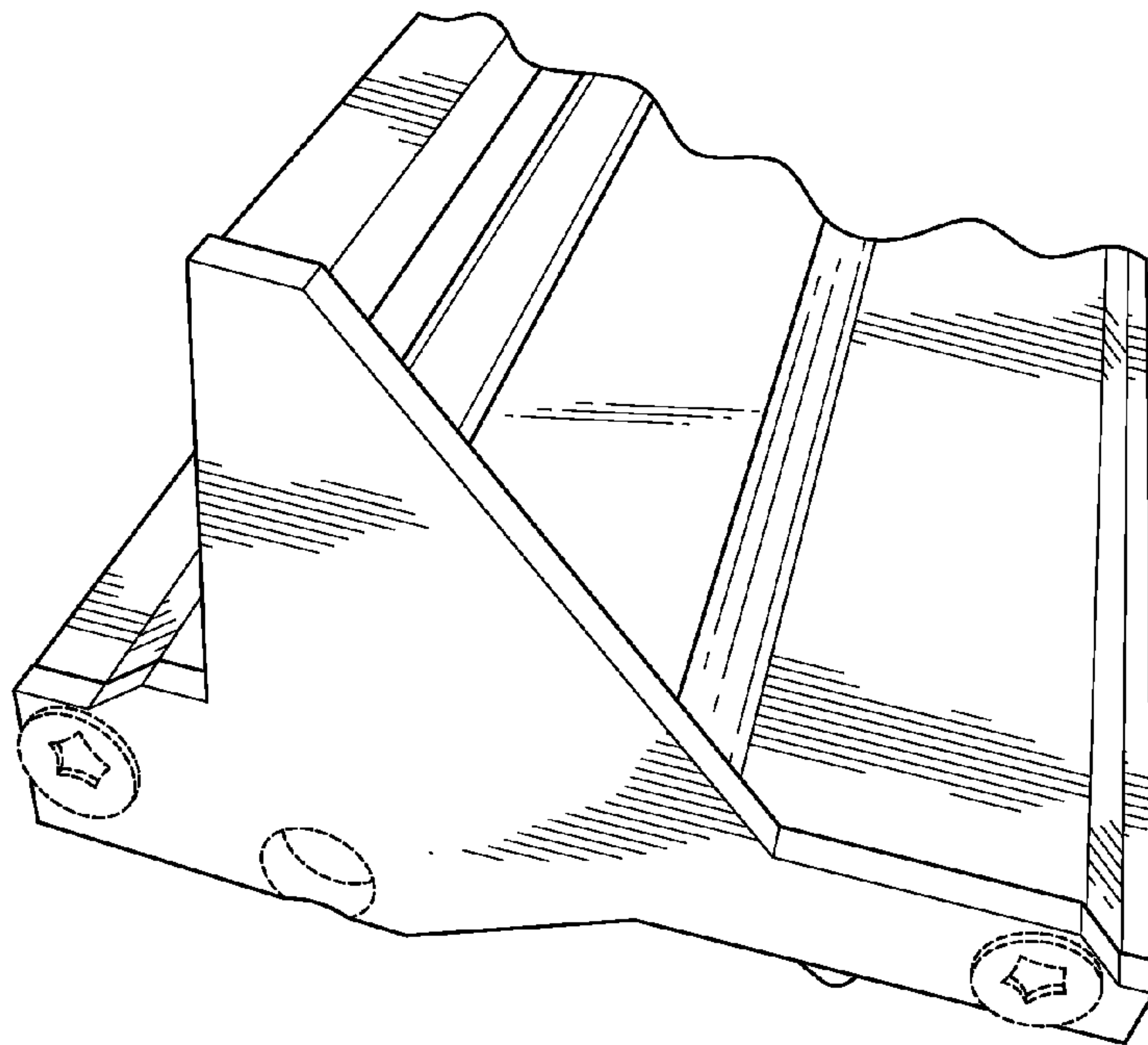


FIG. 12

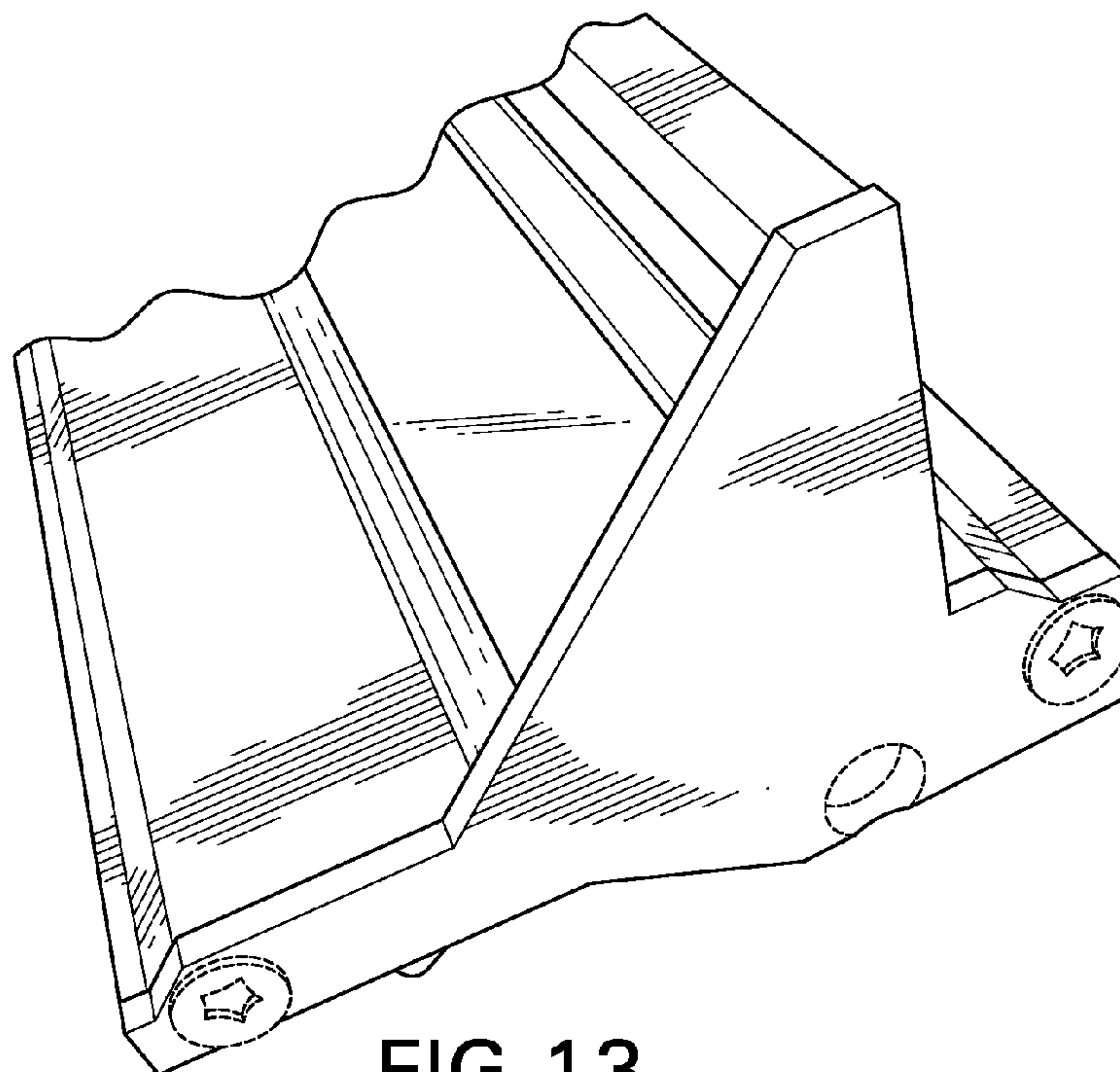


FIG. 13

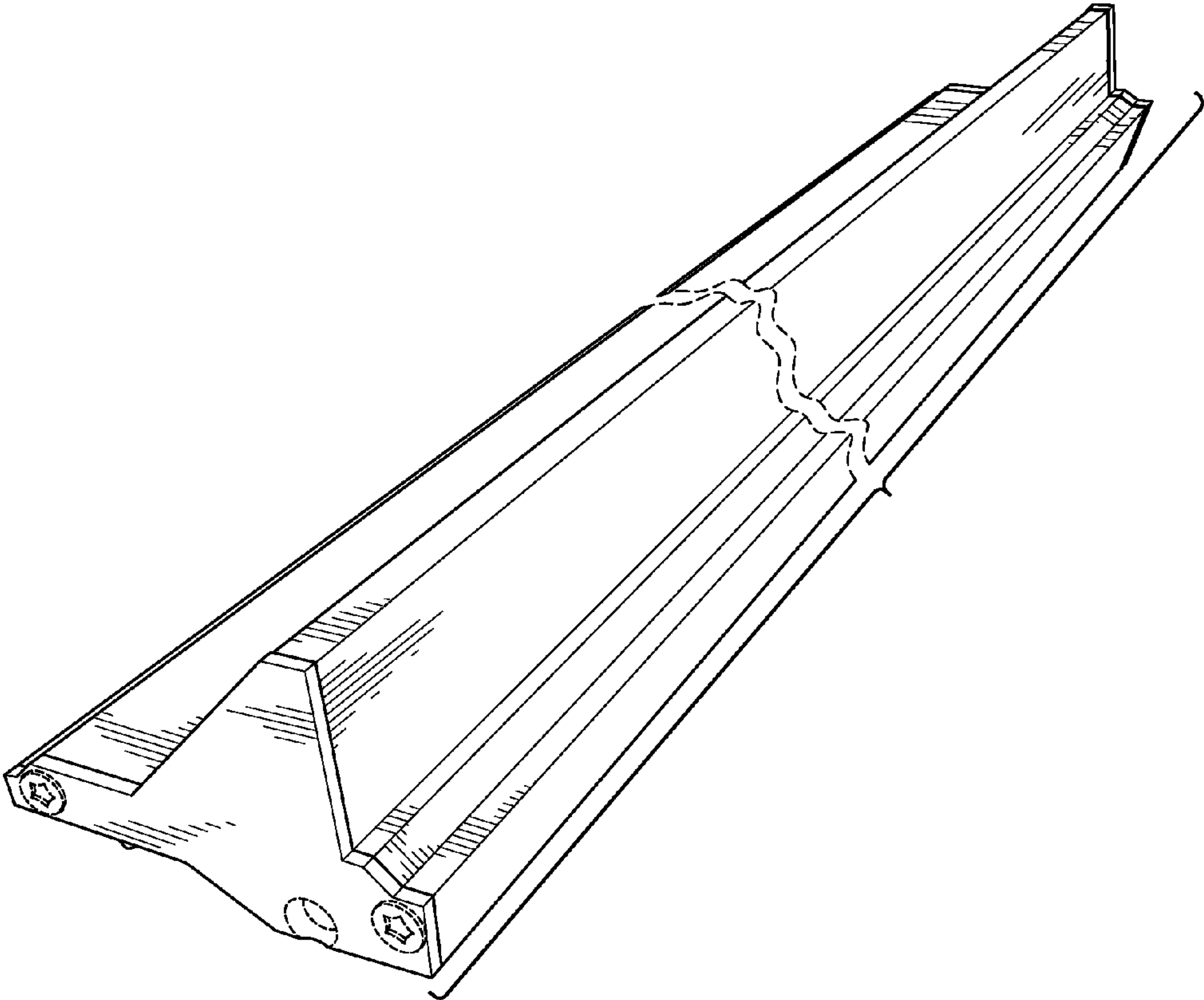


FIG. 14

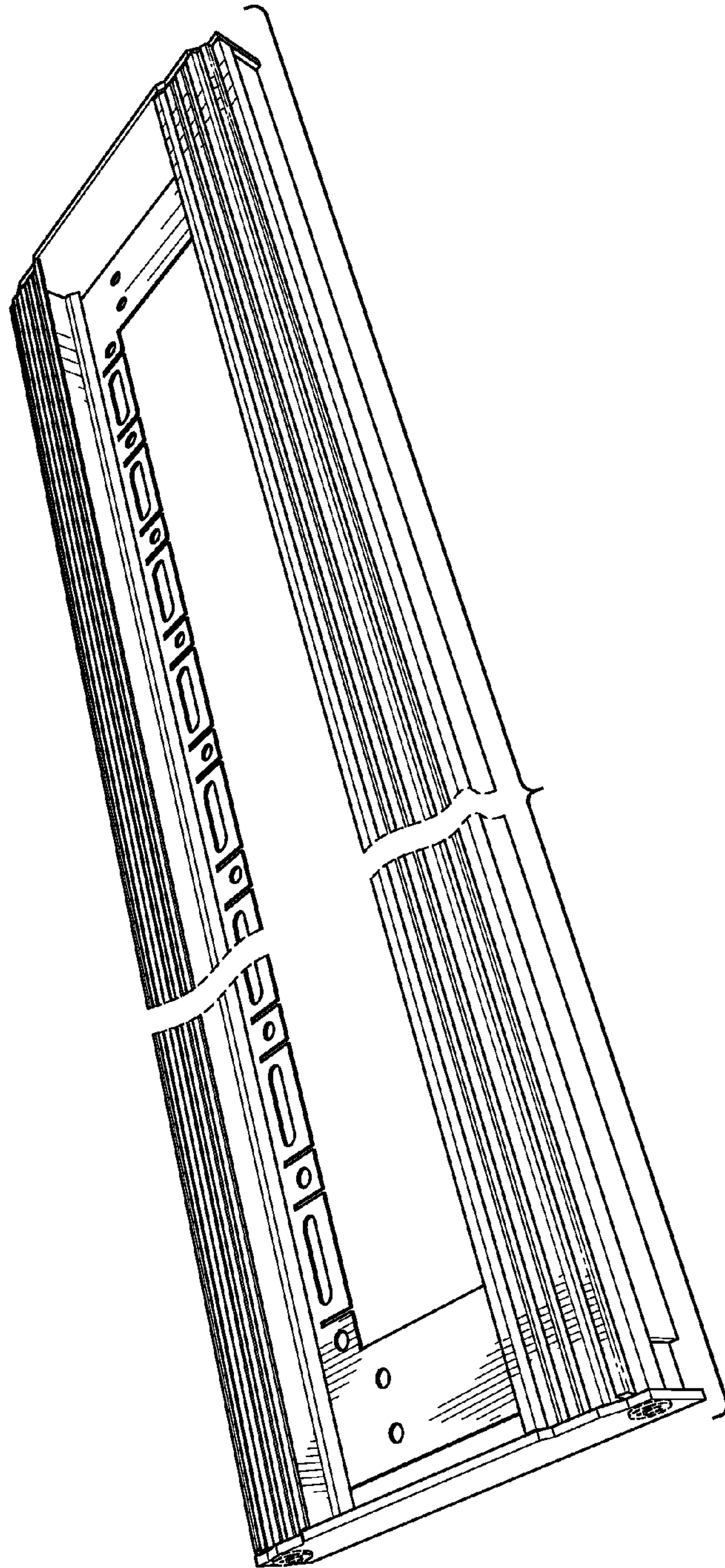


FIG. 15

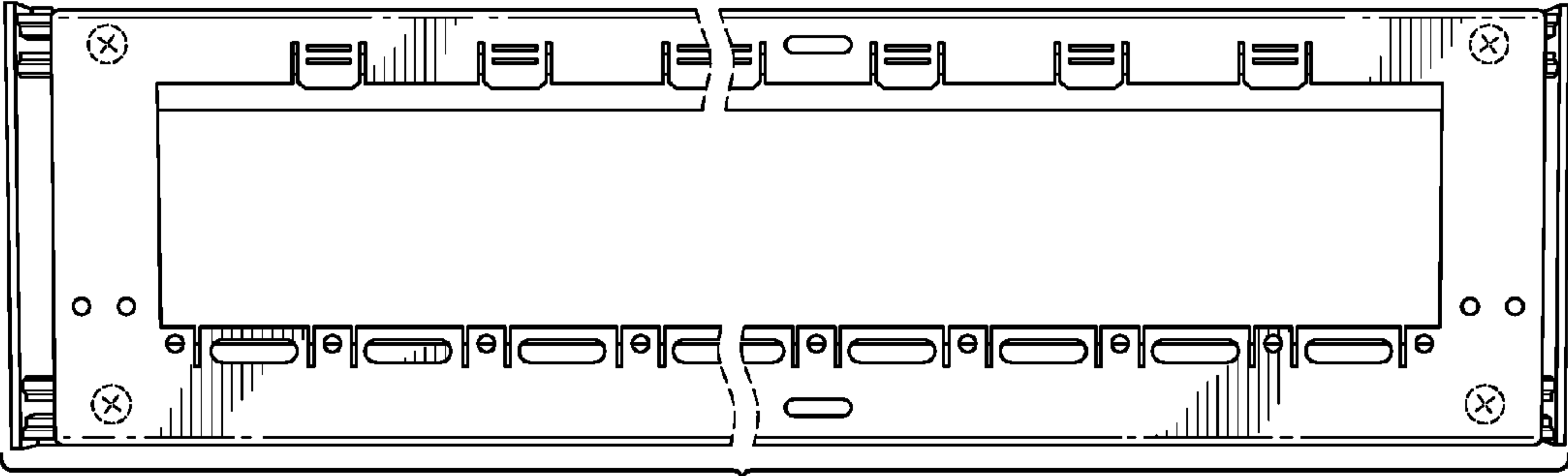


FIG. 16