



US00D761475S

(12) **United States Design Patent**  
**Deurr**

(10) **Patent No.:** **US D761,475 S**  
(45) **Date of Patent:** **\*\* Jul. 12, 2016**

- (54) **LIGHTED STANCHION**
- (71) Applicant: **Premier Marine, Inc.**, Wyoming, MN (US)
- (72) Inventor: **John Deurr**, Stacy, MN (US)
- (73) Assignee: **Premier Marine, Inc.**, Wyoming, MN (US)
- (\*\*) Term: **15 Years**
- (21) Appl. No.: **29/526,842**
- (22) Filed: **May 13, 2015**
- (51) **LOC (10) Cl.** ..... **26-05**
- (52) **U.S. Cl.**  
USPC ..... **D26/68**
- (58) **Field of Classification Search**  
USPC ..... D26/67-70; D10/113.2; D25/126  
CPC ..... F21S 6/004; F21S 6/005; F21S 6/007;  
F21S 6/008; F21S 8/032; F21S 8/08; F21S  
8/081; F21S 8/083; F21S 8/085  
See application file for complete search history.

- (56) **References Cited**  
U.S. PATENT DOCUMENTS  
726,801 A \* 4/1903 Maxwell ..... F16L 9/18  
138/115  
D234,809 S \* 4/1975 Delin ..... D26/67  
D234,971 S \* 4/1975 Delin ..... D26/67

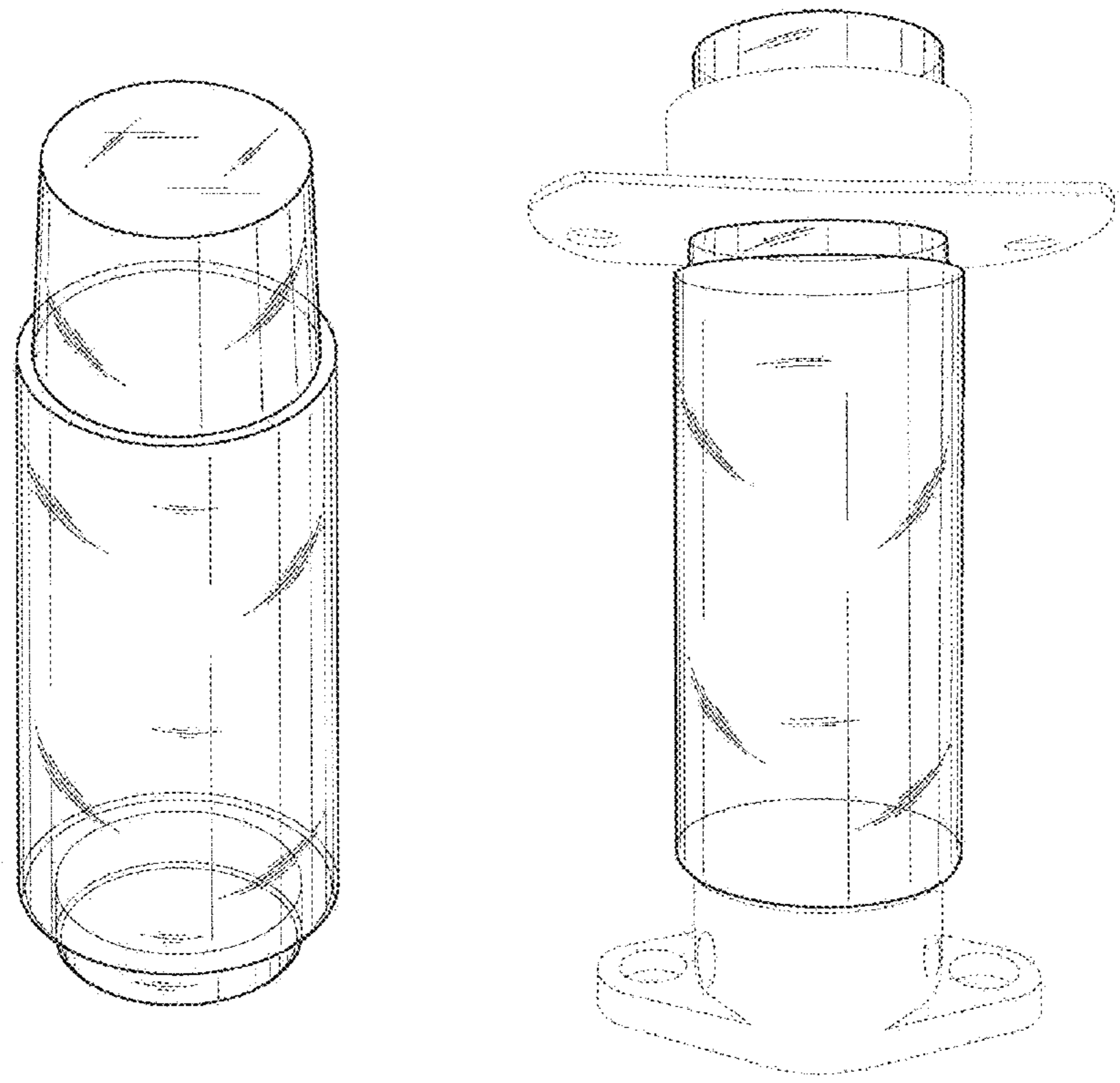
D290,410 S *	6/1987	Haggard	.....	D26/68
D318,136 S *	7/1991	Kira	.....	D26/104
D338,631 S *	8/1993	Braverman	.....	D10/113.2
D468,842 S *	1/2003	May	.....	D25/126
D574,539 S *	8/2008	Sanoner	.....	D26/67
D639,988 S *	6/2011	Chen	.....	D26/67
D660,492 S *	5/2012	Williams	.....	D26/68
D661,832 S *	6/2012	Williams	.....	D26/68
D697,246 S *	1/2014	Martzall	.....	D26/67
D698,065 S *	1/2014	Macura	.....	D26/68
D745,204 S *	12/2015	Skira	.....	D26/68
2012/0287610 A1 *	11/2012	Krogman	.....	F21S 8/083 362/152

\* cited by examiner  
*Primary Examiner* — Clare E Heflin  
(74) *Attorney, Agent, or Firm* — Winthrop & Weinstine, P.A.

(57) **CLAIM**  
The ornamental design for a lighted stanchion, as shown and described.

**DESCRIPTION**  
FIG. 1 is a perspective view of the lighted stanchion showing the design;  
FIG. 2 is a side elevation view thereof;  
FIG. 3 is a top plan view thereof;  
FIG. 4 is a bottom plan view thereof; and,  
FIG. 5 is a perspective view of the lighted stanchion shown installed.  
The broken lines shown in FIG. 5 of the drawings depict environment only and form no part of the claimed design.

**1 Claim, 4 Drawing Sheets**



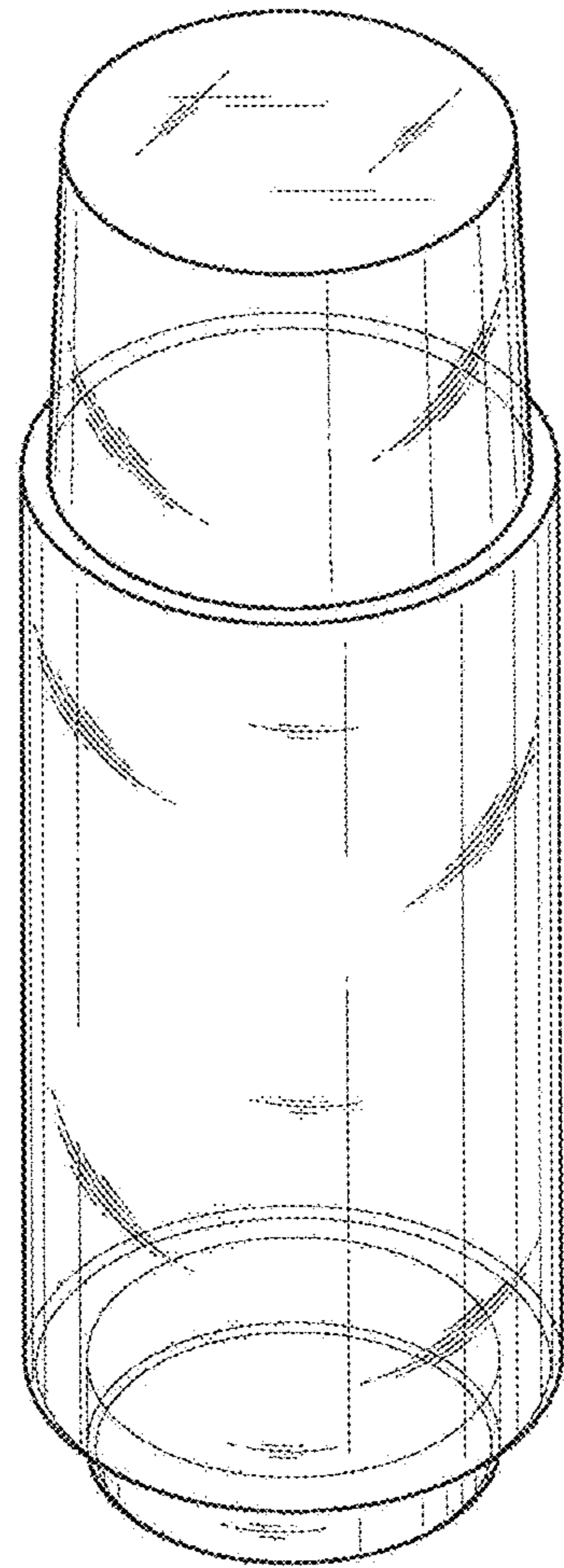


Fig. 1

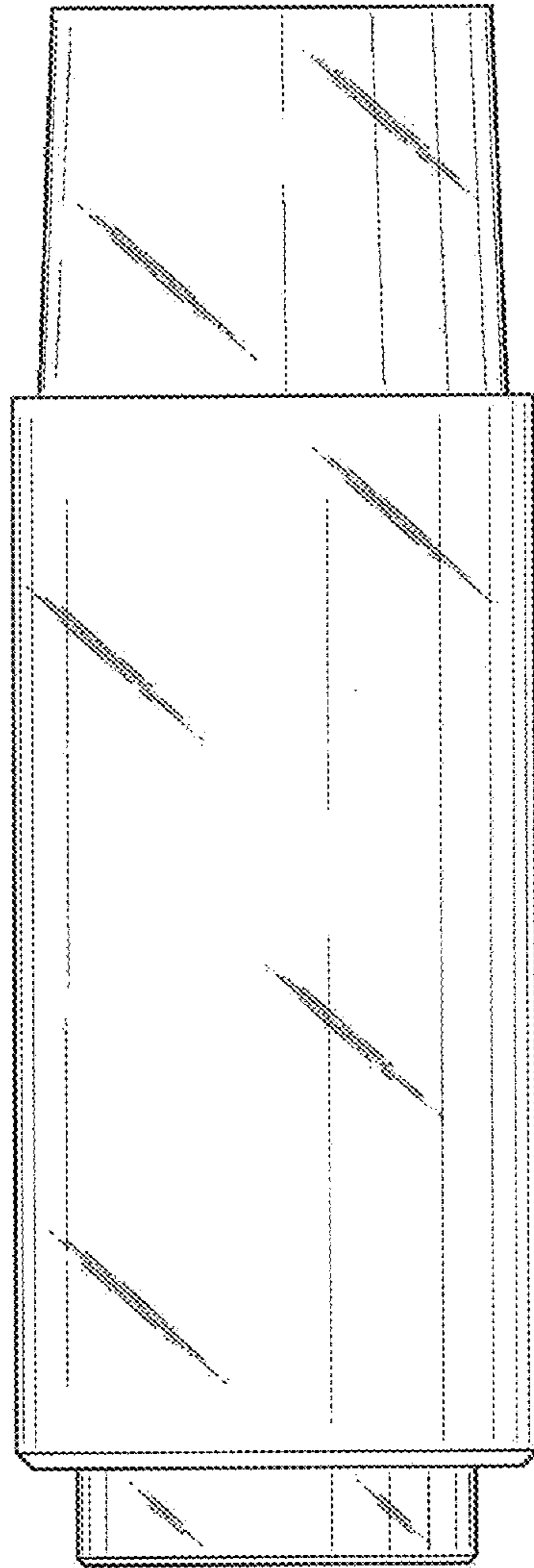


Fig. 2

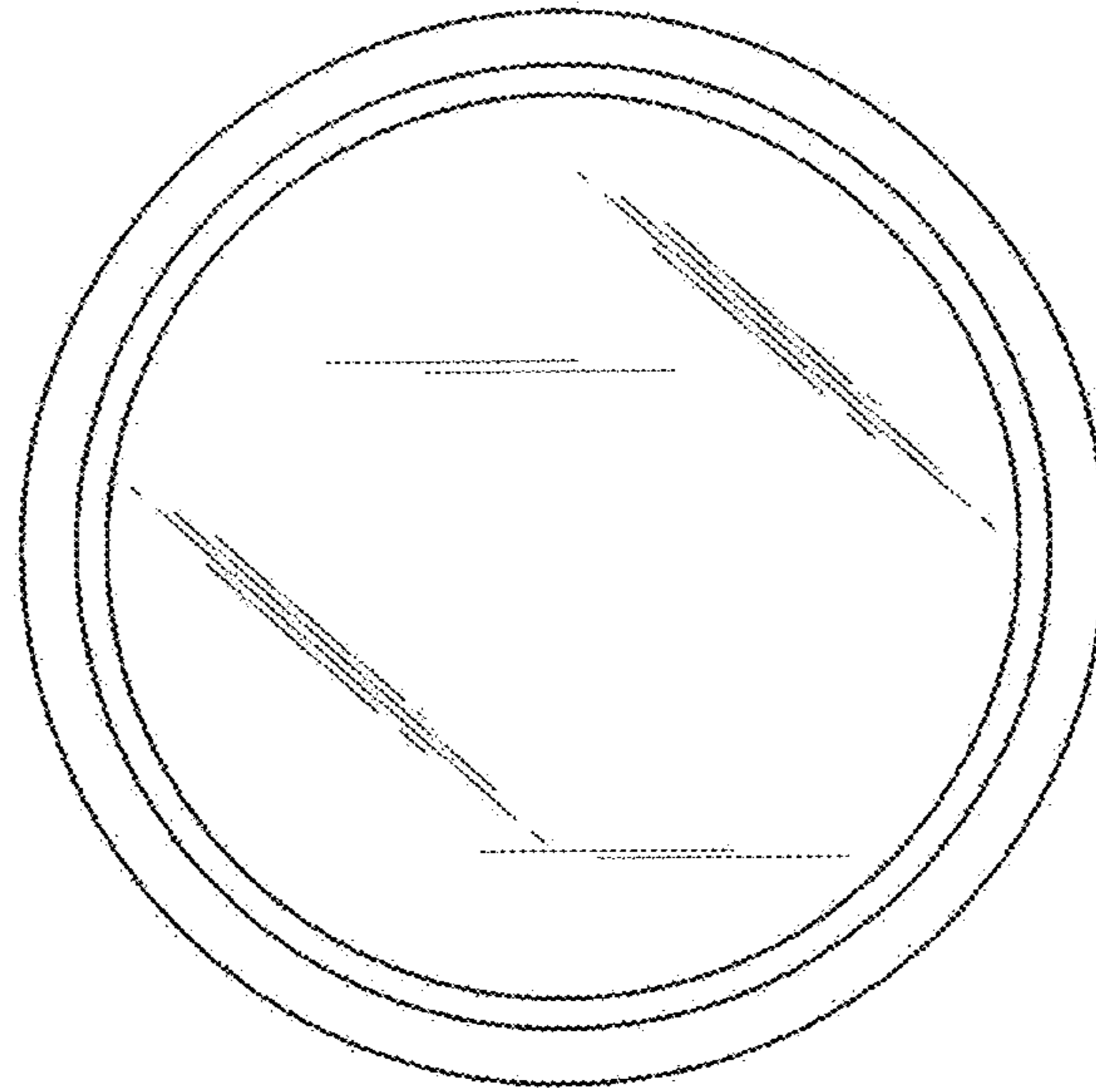


Fig. 3

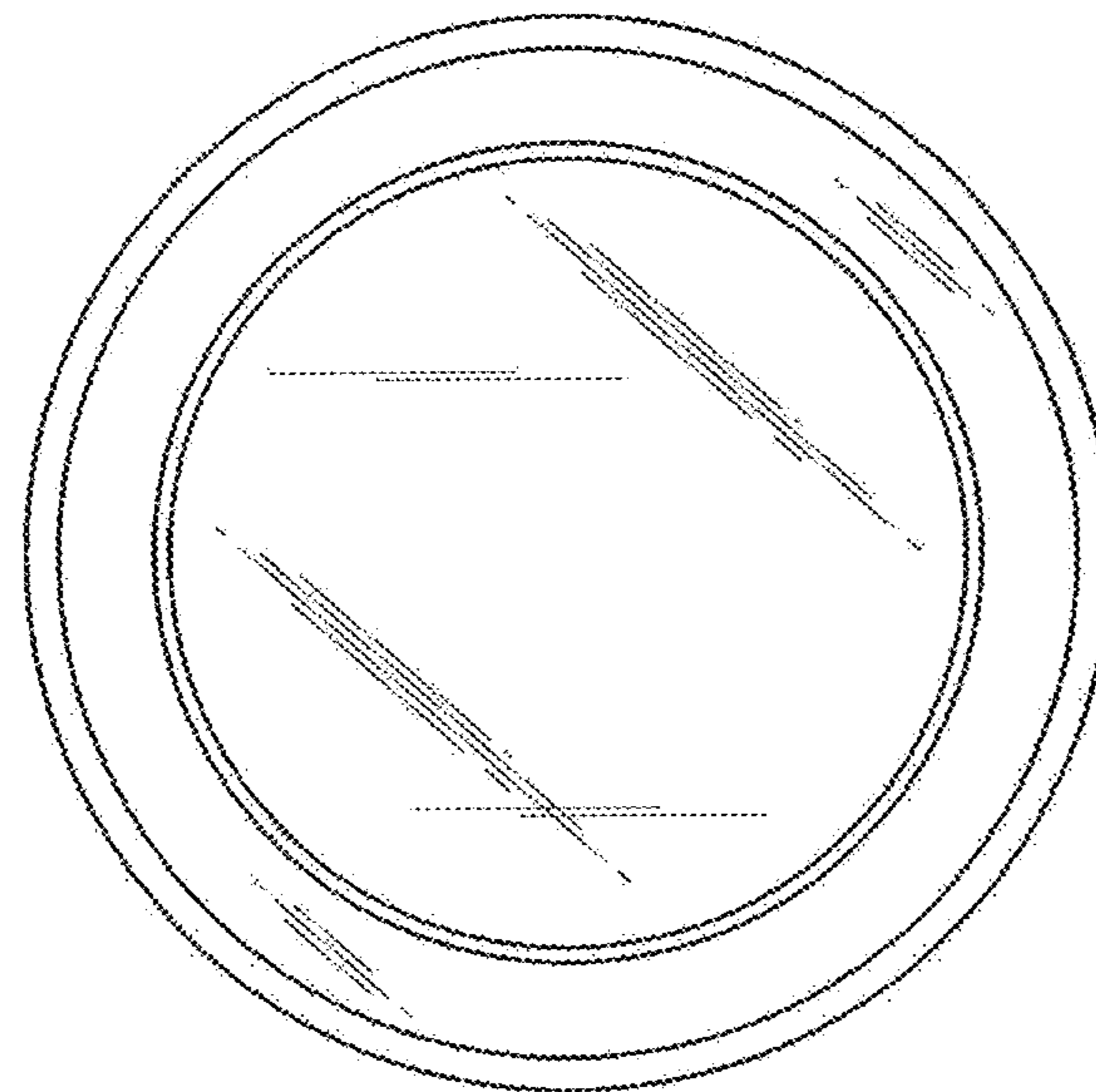
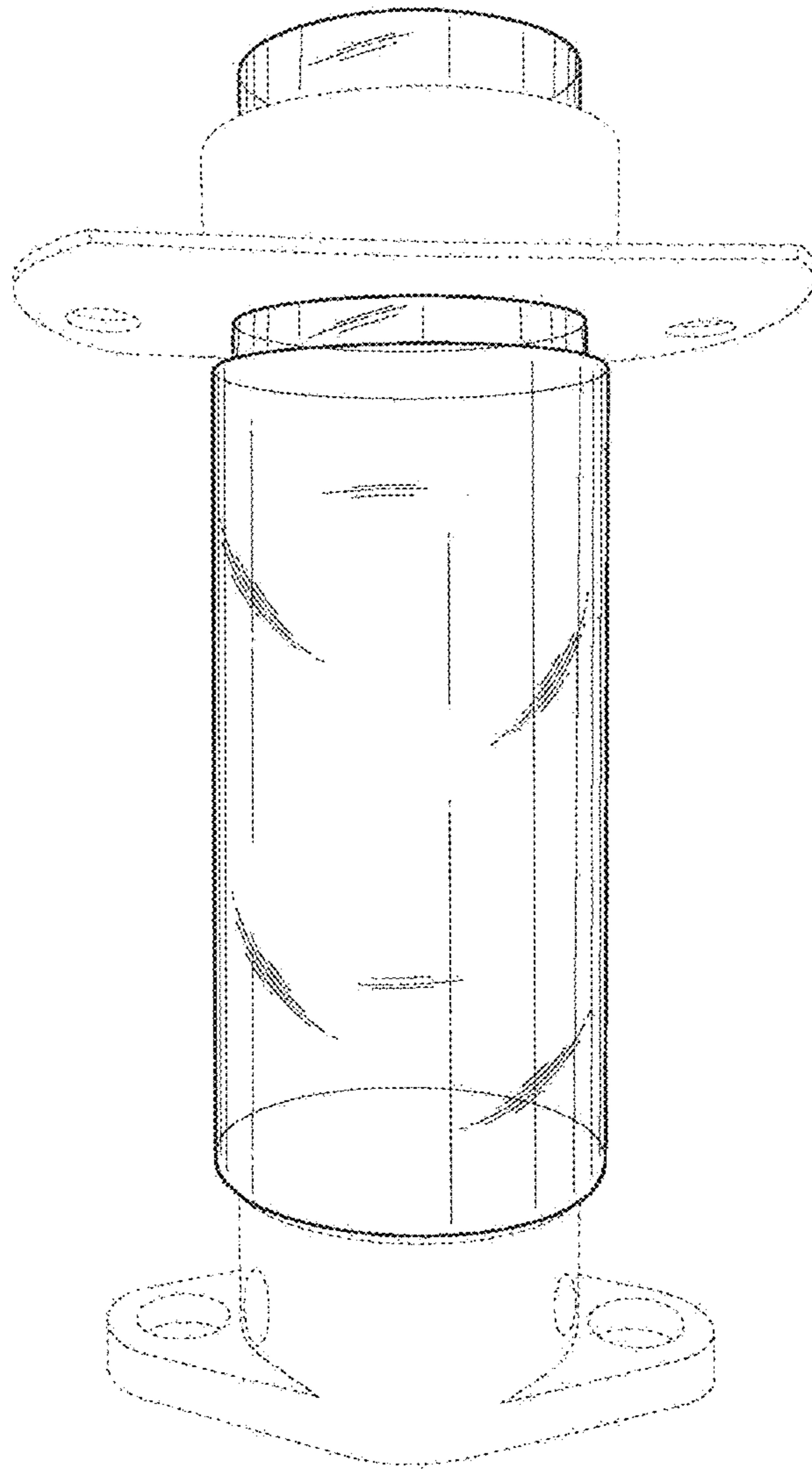


Fig. 4



**Fig. 5**