



US00D761474S

(12) **United States Design Patent**
Chen

(10) **Patent No.:** **US D761,474 S**
(45) **Date of Patent:** **** Jul. 12, 2016**

(54) **SECURITY LIGHT**

(71) Applicant: **Chia-Teh Chen**, Taipei (TW)

(72) Inventor: **Chia-Teh Chen**, Taipei (TW)

(**) Term: **14 Years**

(21) Appl. No.: **29/506,046**

(22) Filed: **Oct. 13, 2014**

(51) **LOC (10) Cl.** **26-03**

(52) **U.S. Cl.**
USPC **D26/65**

(58) **Field of Classification Search**

USPC D26/24, 51, 61, 63, 65, 72, 80

CPC F21S 8/04; F21S 8/00; F21V 21/00;

F21V 17/02; F21V 14/02; F21V 21/30;

F21V 21/14; F21V 21/26; F21W 2131/10

See application file for complete search history.

(56) **References Cited**

U.S. PATENT DOCUMENTS

D591,883 S *	5/2009	Gill	D26/63
D720,486 S *	12/2014	Gough	D26/63
D723,727 S *	3/2015	Moeller	D26/63
D734,522 S *	7/2015	Coulbeaut	D26/63
D742,053 S *	10/2015	Sussman	D26/63
D745,201 S *	12/2015	Lee	D26/63

* cited by examiner

Primary Examiner — Brian N Vinson

(74) *Attorney, Agent, or Firm* — Li & Cai Intellectual Property (USA) Office

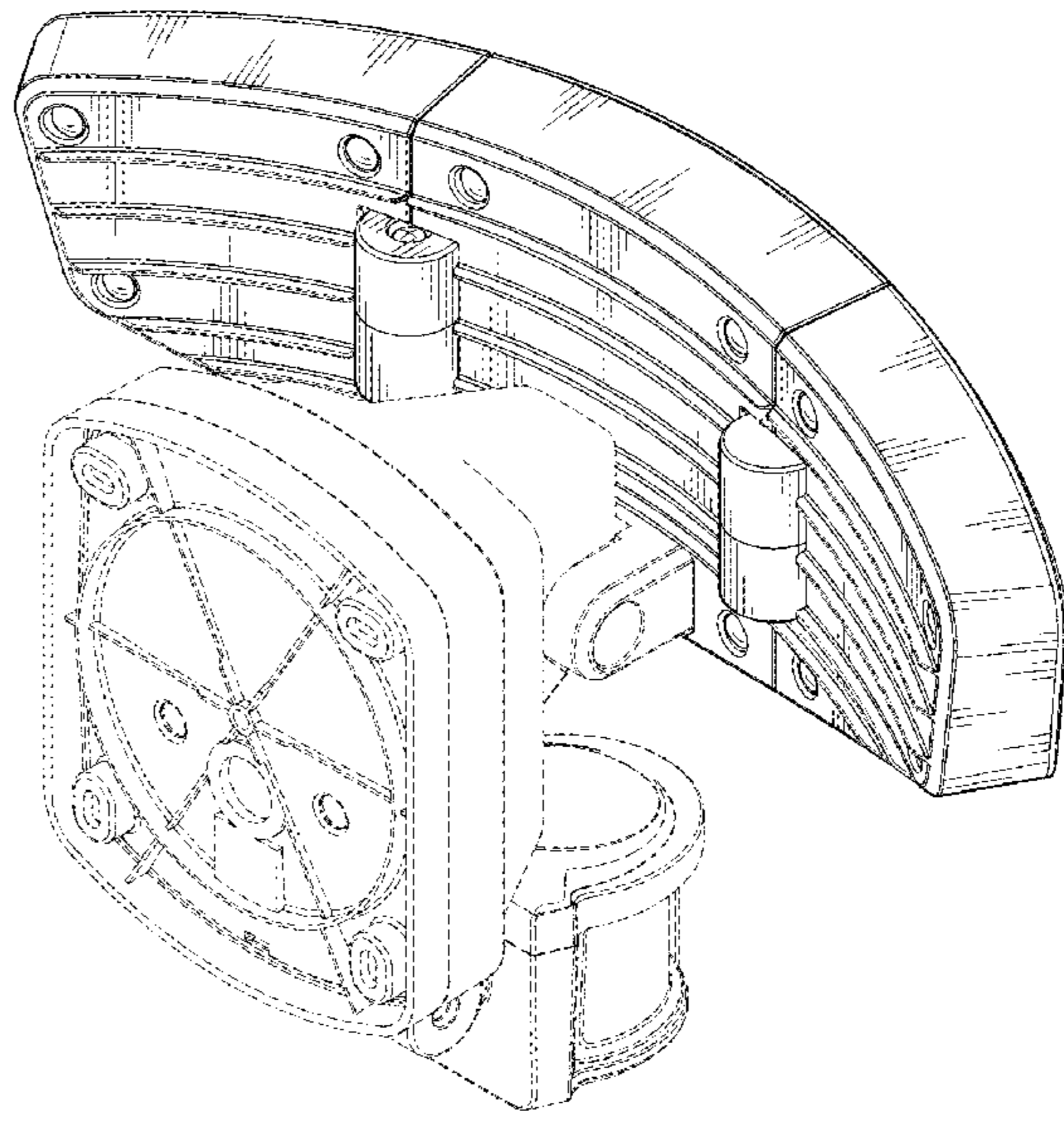
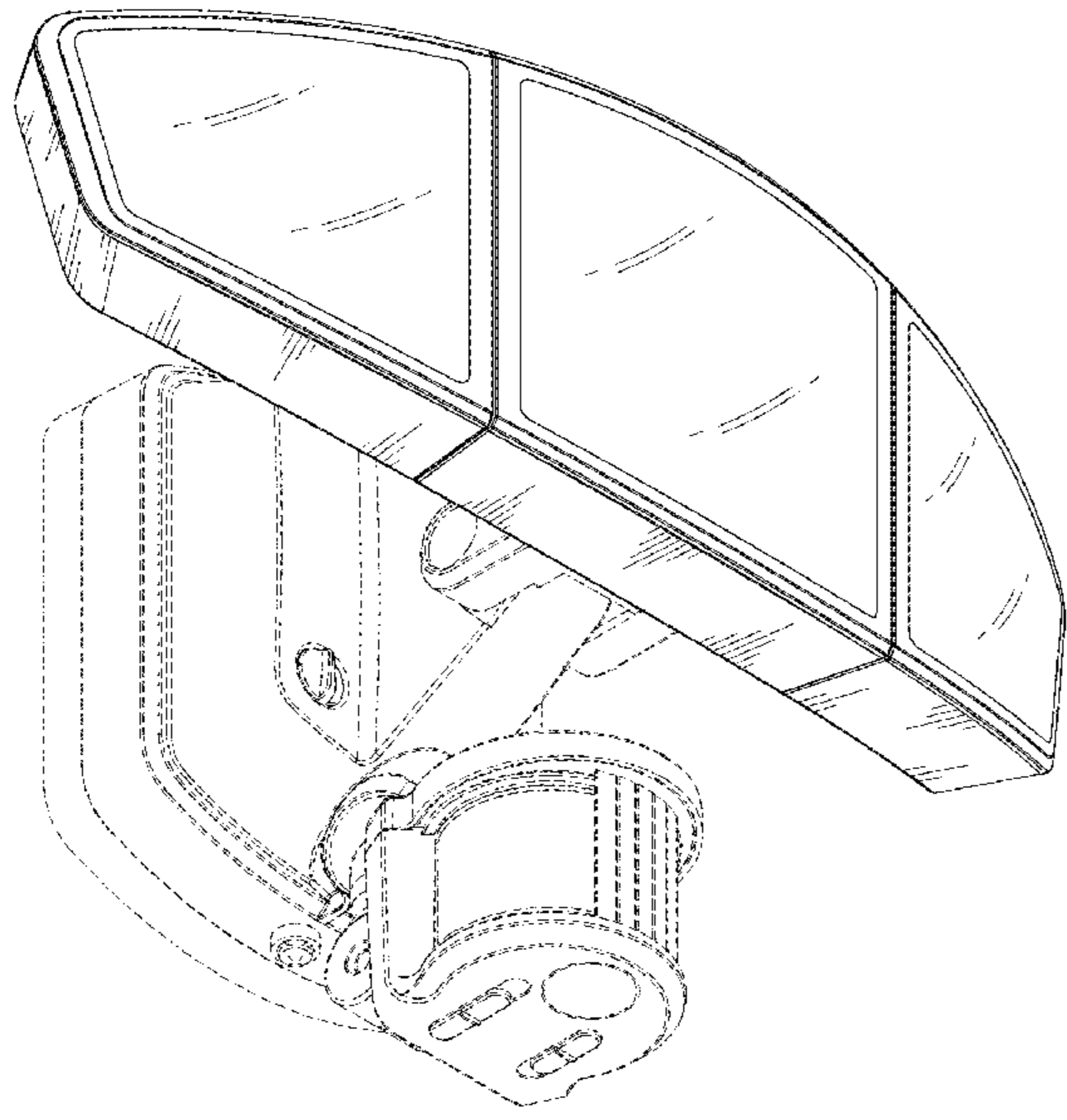
(57) **CLAIM**

The ornamental design for a “security light,” as shown and described.

DESCRIPTION

FIG. 1 is a left, bottom, and front perspective view of a security light showing our new design;
 FIG. 2 is a front elevational view thereof;
 FIG. 3 is a rear elevational view thereof;
 FIG. 4 is a left side elevational view thereof;
 FIG. 5 is a right side elevational view thereof;
 FIG. 6 is a top plan view thereof;
 FIG. 7 is a bottom plan view thereof;
 FIG. 8 is a left, top, and rear perspective view thereof;
 FIG. 9 is a left side perspective view thereof, shown adjusted to a different pitch angle; and,
 FIG. 10 is a bottom plan view thereof, shown adjusted to a different spread angle.
 The broken lines depict portions of the security light which form no part of the claimed design.

1 Claim, 6 Drawing Sheets



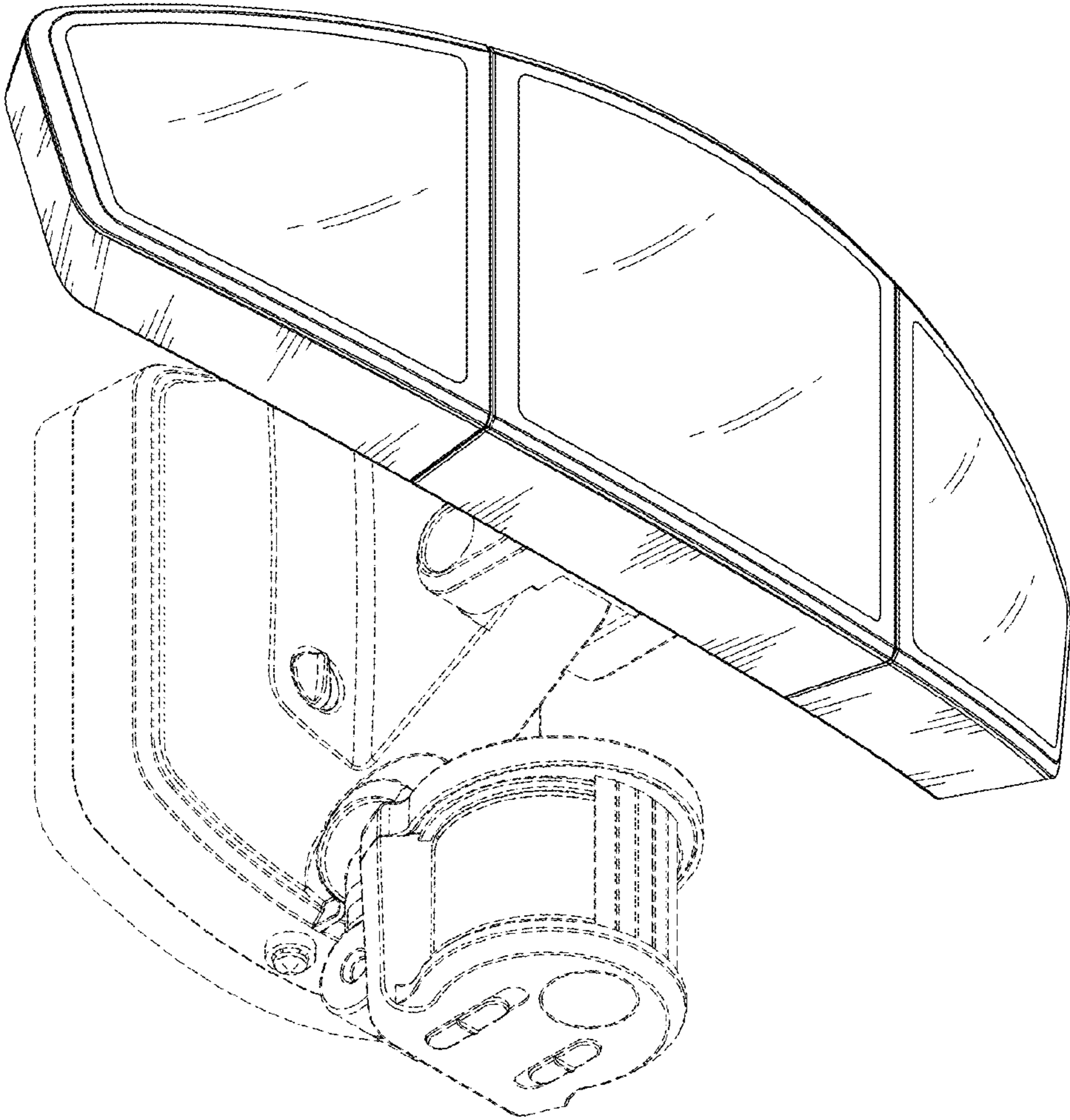


FIG.1

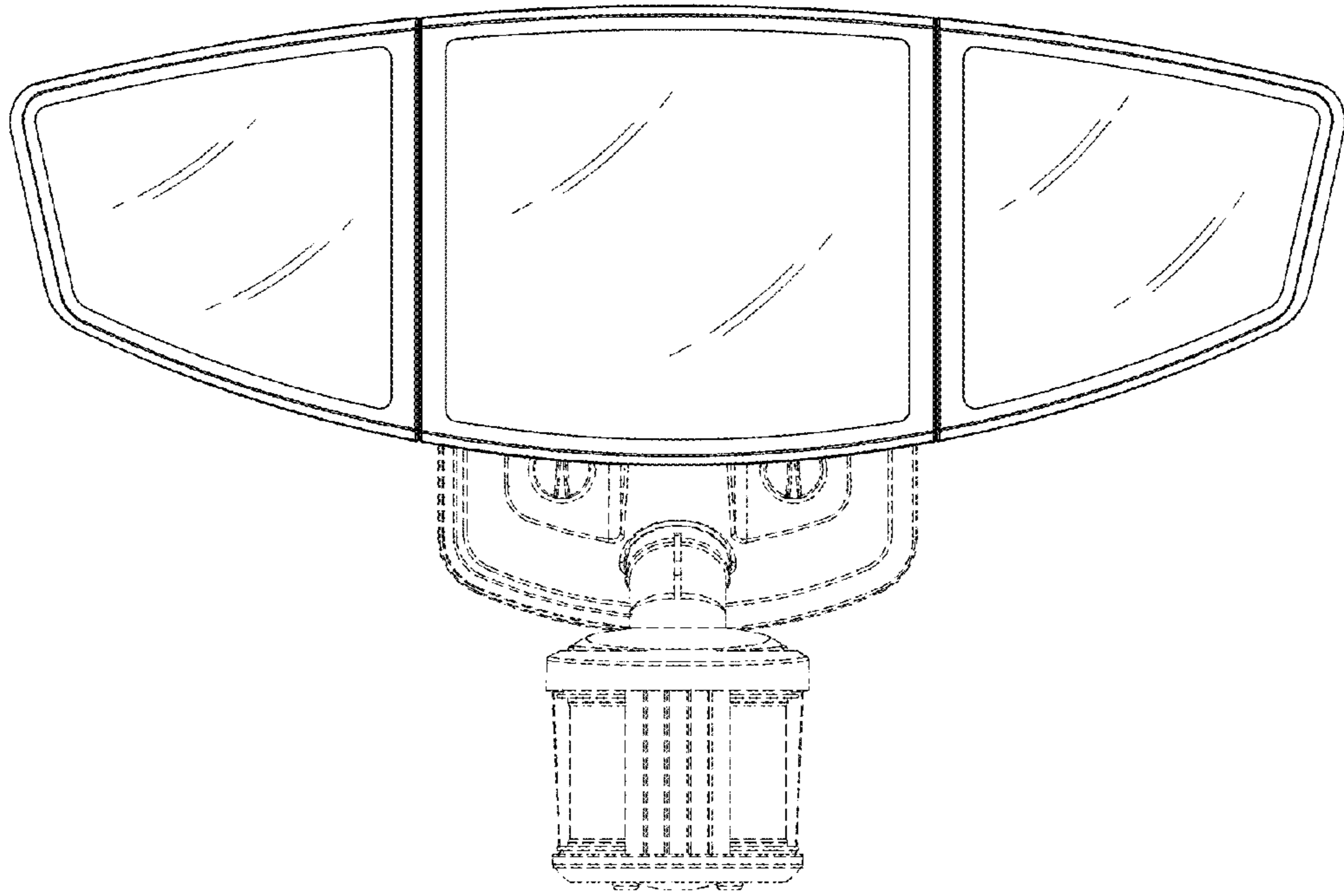


FIG. 2

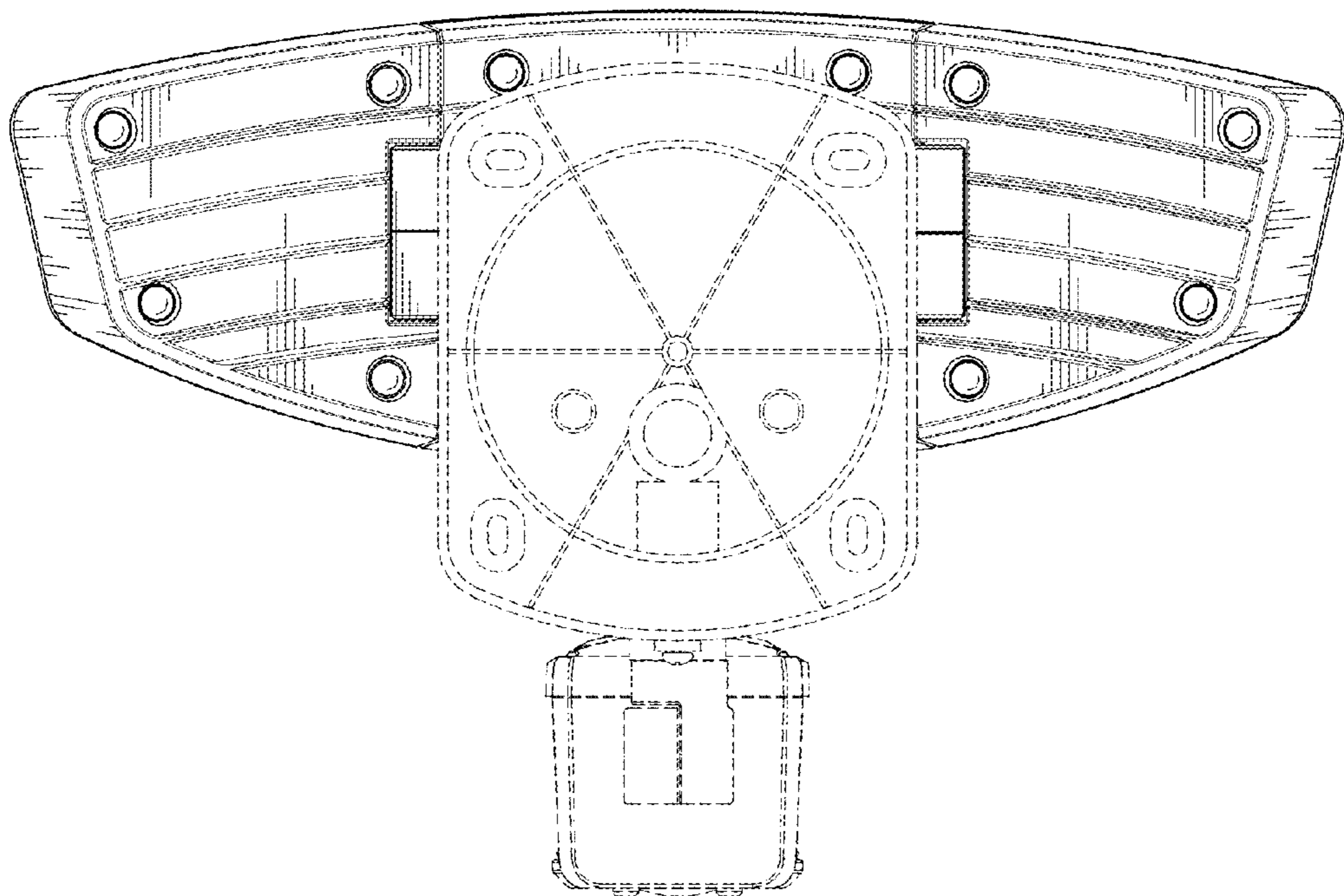


FIG. 3

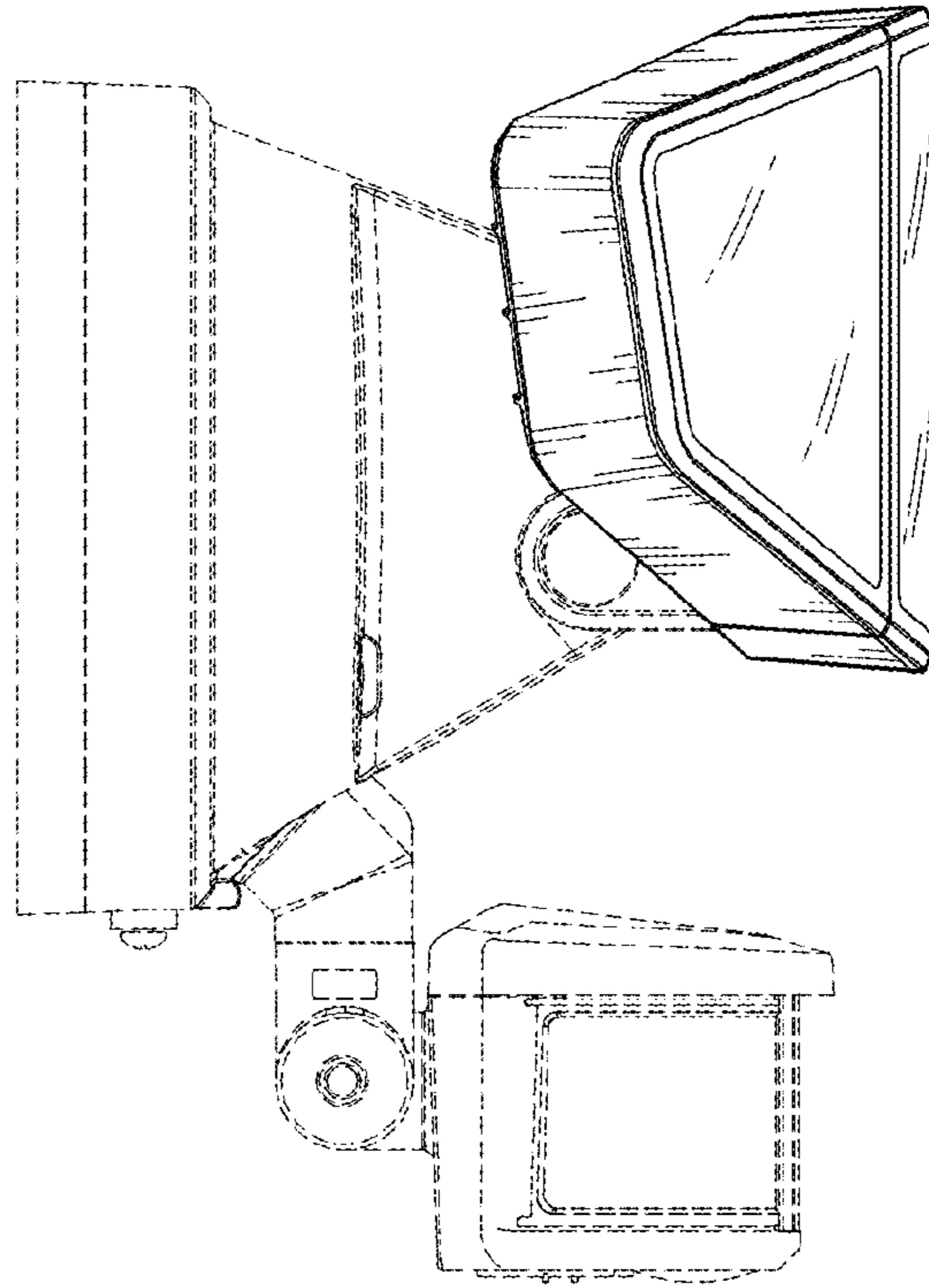


FIG. 4

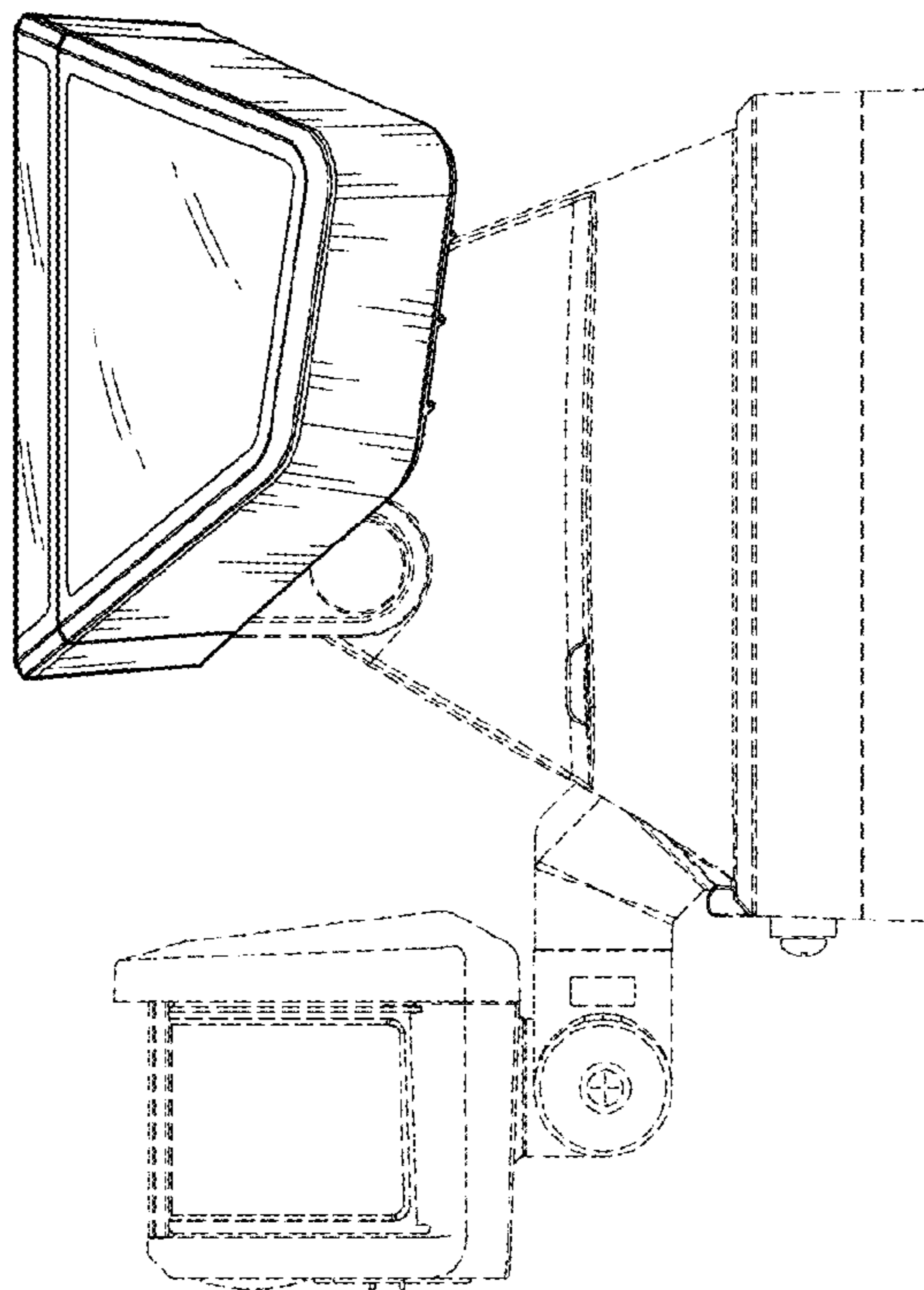


FIG. 5

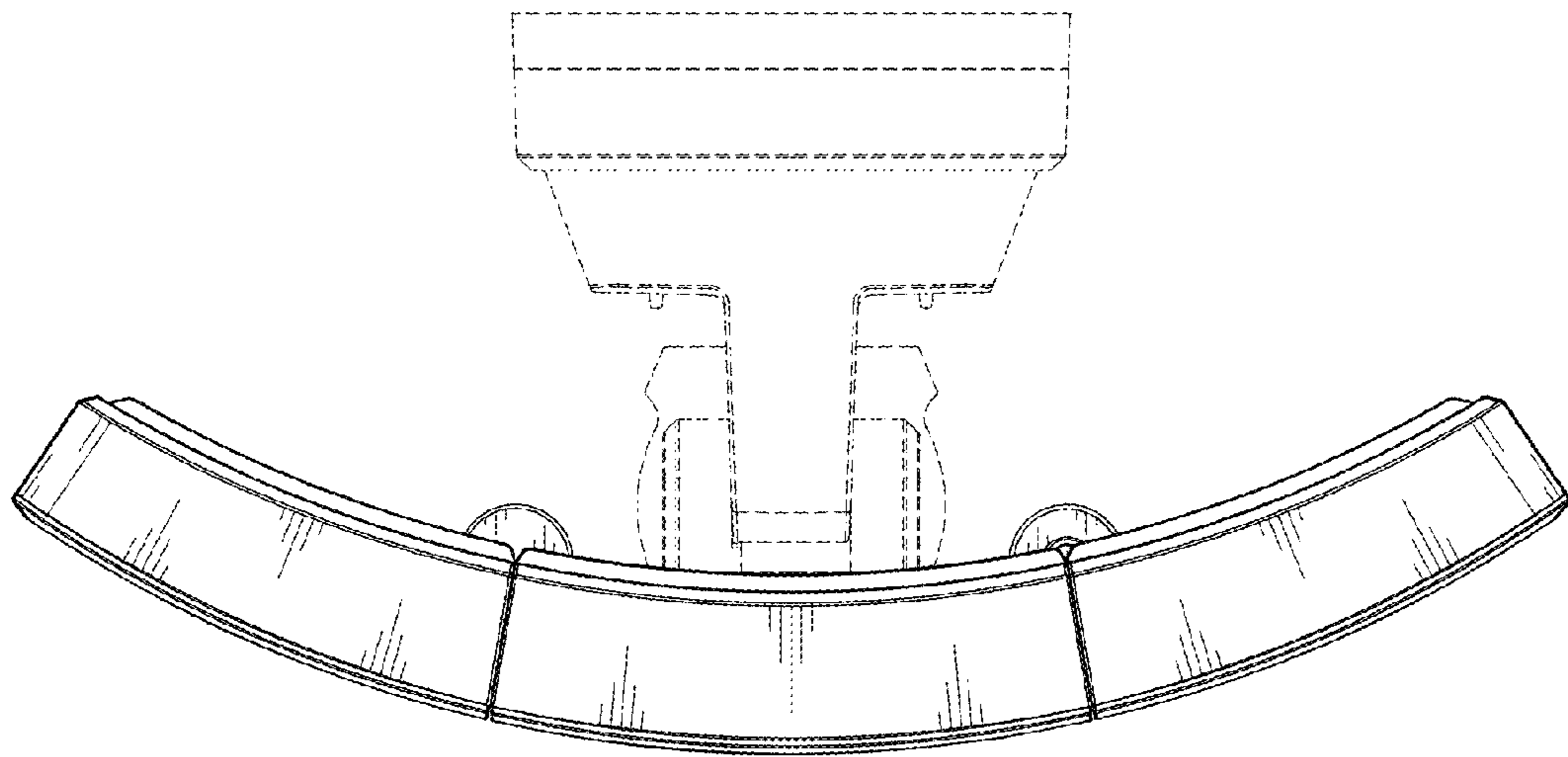


FIG. 6

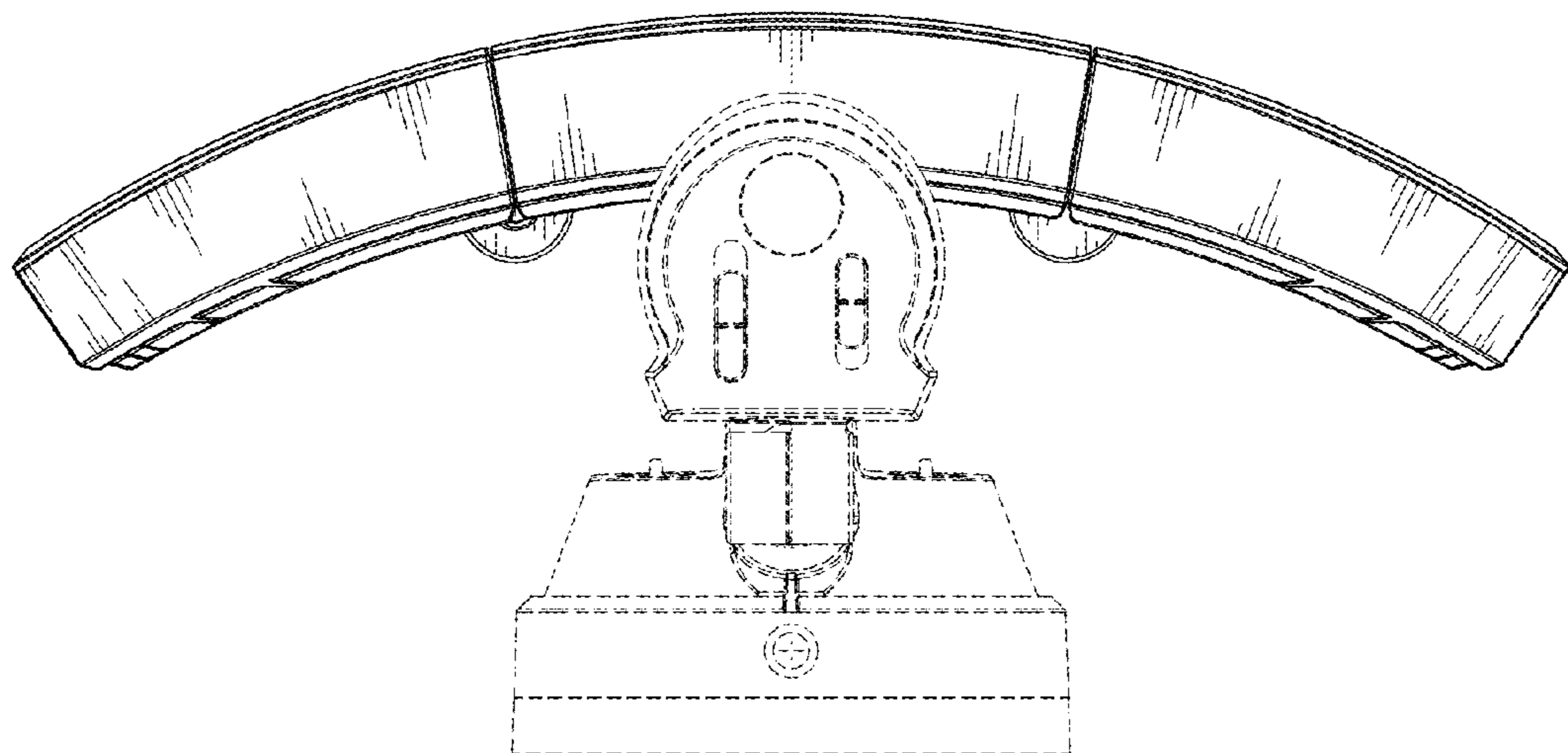


FIG. 7

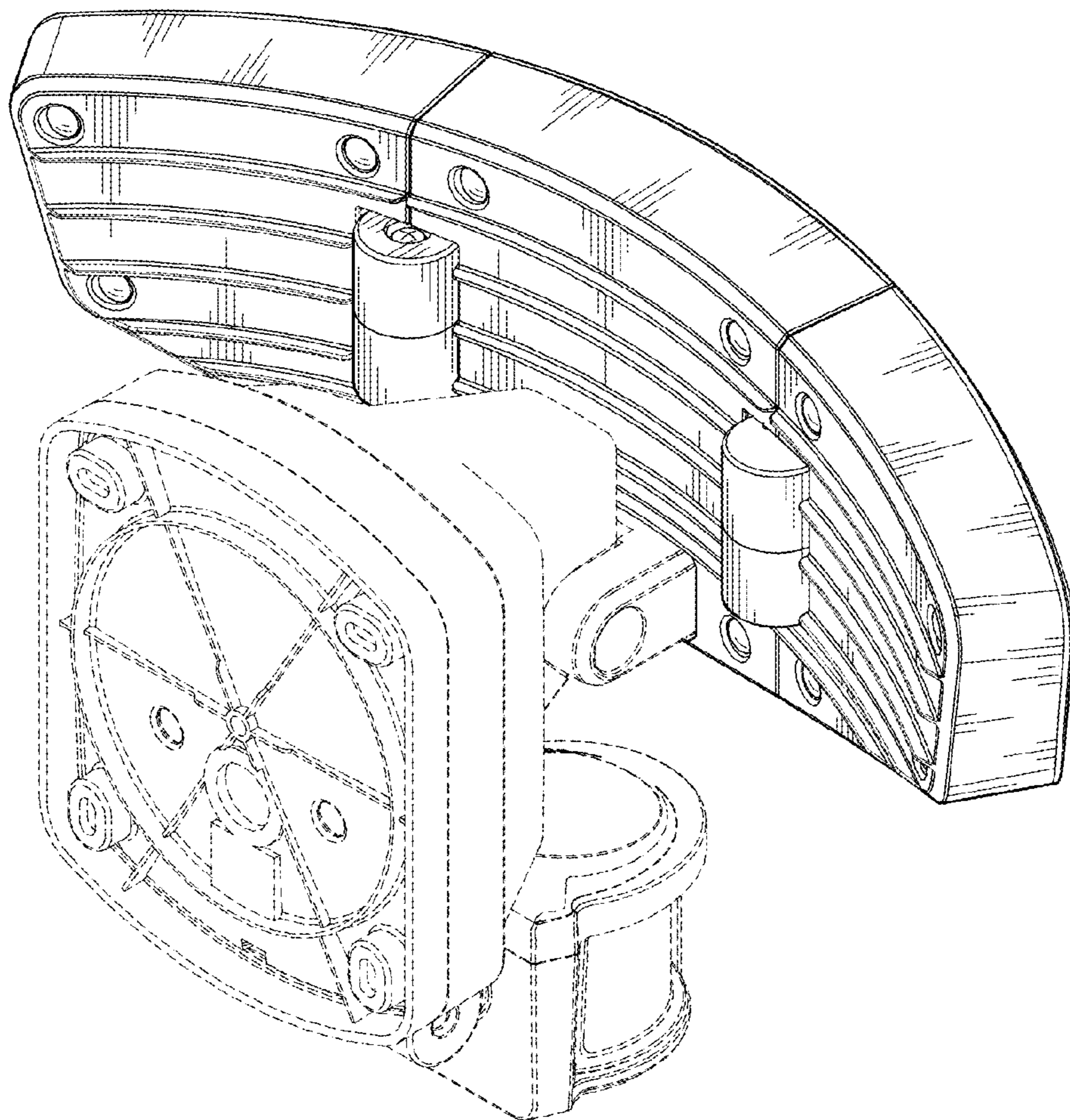


FIG.8

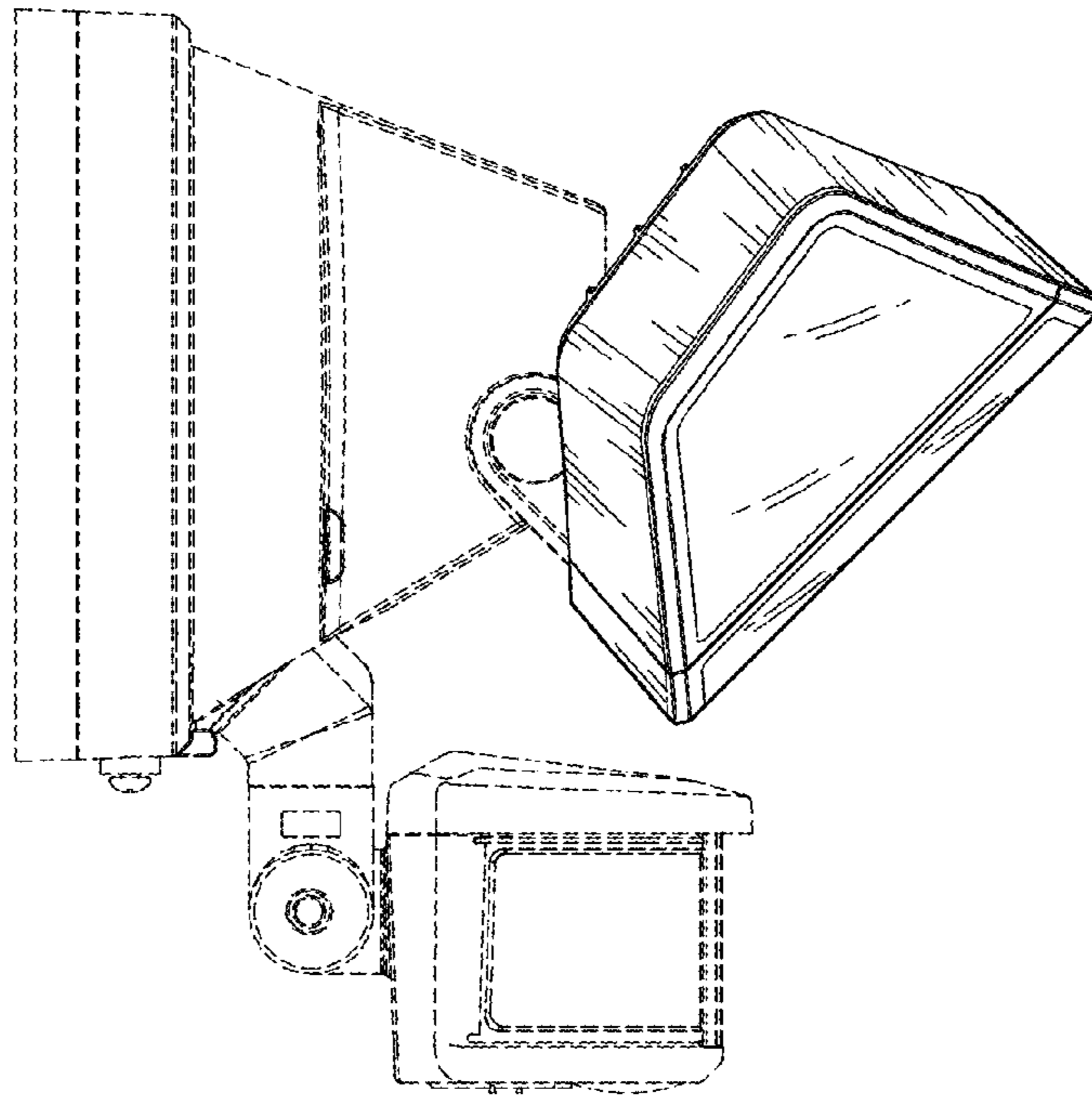


FIG. 9

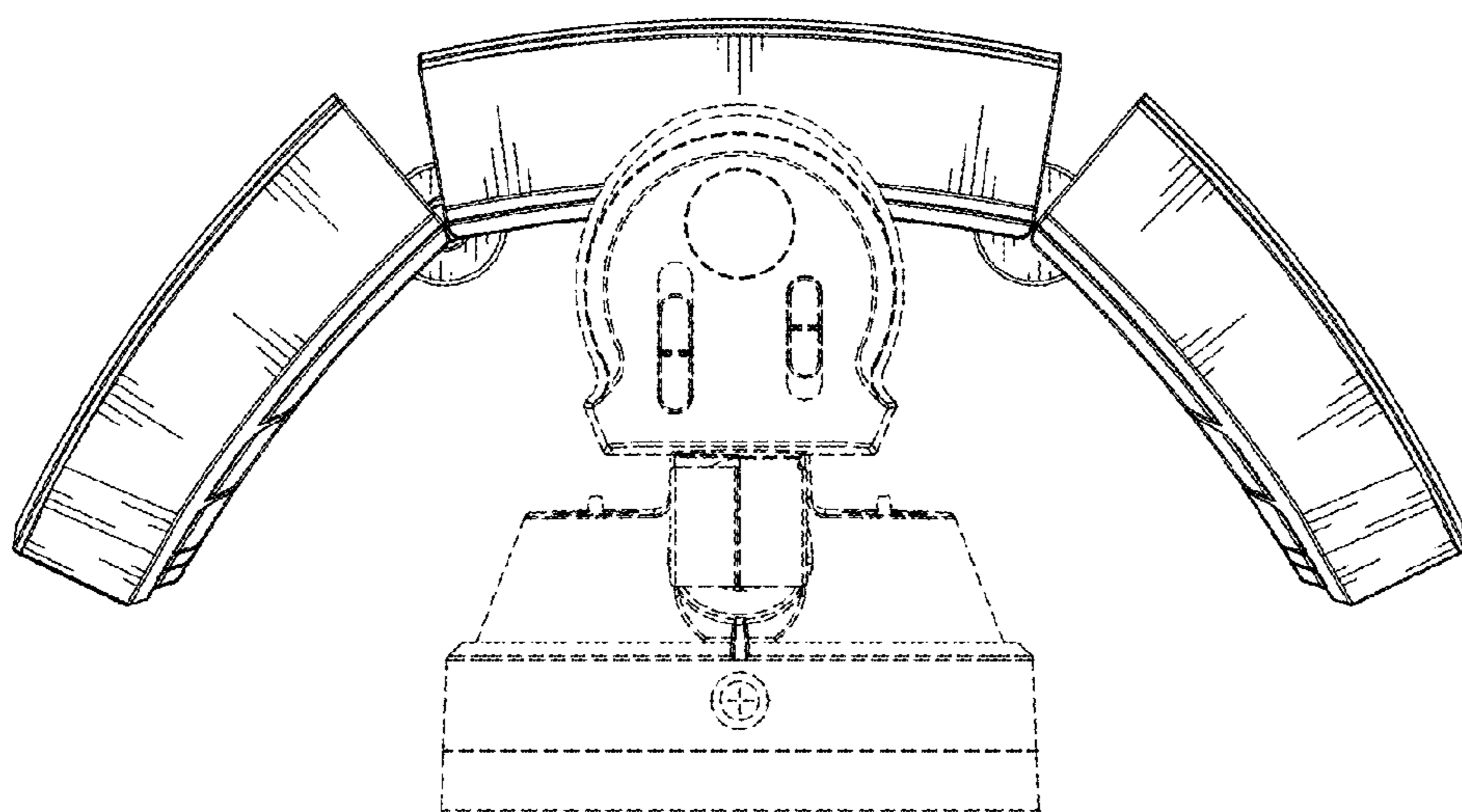


FIG. 10