



US00D761473S

(12) **United States Design Patent**
Zhang et al.

(10) **Patent No.:** **US D761,473 S**
(45) **Date of Patent:** **** Jul. 12, 2016**

(54) **LIGHT**

F21S 8/00; F21S 8/003; F21S 8/043; F21Y
2105/001

(71) Applicant: **NINGBO YUSING
OPTOELECTRONIC
TECHNOLOGY CO., LTD.**, Ningbo,
Zhejiang (CN)

See application file for complete search history.

(72) Inventors: **Liang Zhang**, Ningbo (CN); **Xiaoyu
Cai**, Ningbo (CN)

(56) **References Cited**

U.S. PATENT DOCUMENTS

(73) Assignee: **NINGBO YUSING
OPTOELECTRONIC
TECHNOLOGY CO., LTD.**, Ningbo
(CN)

D535,774 S * 1/2007 Weston et al. D26/61
D615,235 S * 5/2010 Zheng D26/63
D642,721 S * 8/2011 Li et al. D26/63
D644,776 S * 9/2011 Rea et al. D26/63
D695,435 S * 12/2013 Pedersen D26/63

* cited by examiner

(**) Term: **15 Years**

Primary Examiner — Brian N Vinson

(21) Appl. No.: **29/532,927**

(57) **CLAIM**

The ornamental design for a light, as shown and described.

(22) Filed: **Jul. 12, 2015**

DESCRIPTION

(30) **Foreign Application Priority Data**

Mar. 9, 2015 (CN) 2015 3 0055991

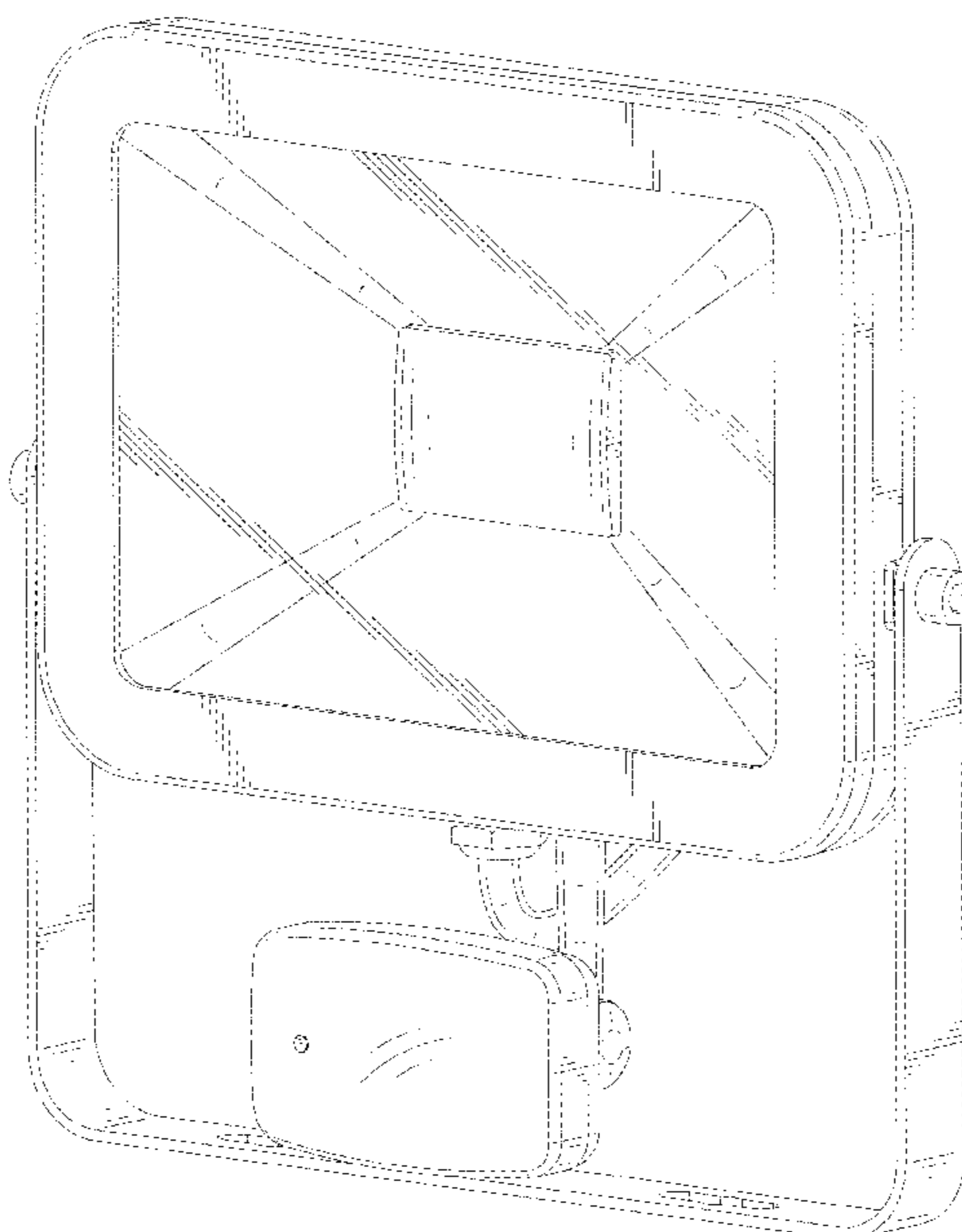
(51) **LOC (10) Cl.** **26-03**

(52) **U.S. Cl.**
USPC **D26/63**

(58) **Field of Classification Search**
USPC D26/1, 24, 61, 63, 65, 85, 92
CPC F21V 21/14; F21V 15/01; F21V 14/02;
F21V 21/30; F21V 21/00; F21V 14/00;

FIG. 1 is a front elevational view of a light showing our new design;
FIG. 2 is a rear elevational view thereof;
FIG. 3 is a left side view thereof;
FIG. 4 is a right side view thereof;
FIG. 5 is a top plan view thereof;
FIG. 6 is a bottom plan view thereof;
FIG. 7 is a first perspective view thereof;
FIG. 8 is a second perspective view thereof;
FIG. 9 is a third perspective view thereof; and,
FIG. 10 is a fourth perspective view thereof.
The diagonal lines indicate transparency.

1 Claim, 10 Drawing Sheets



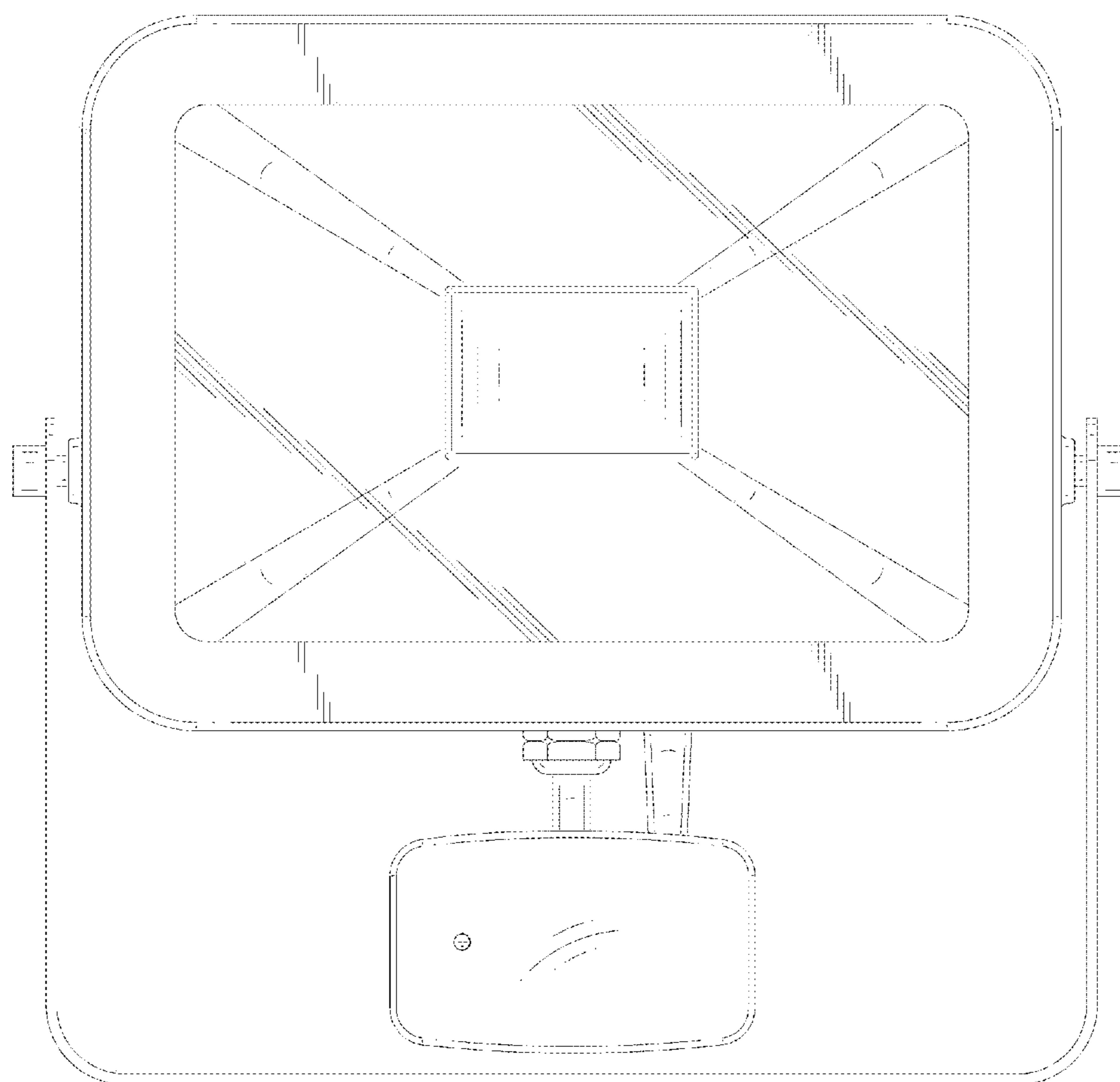


FIG.1

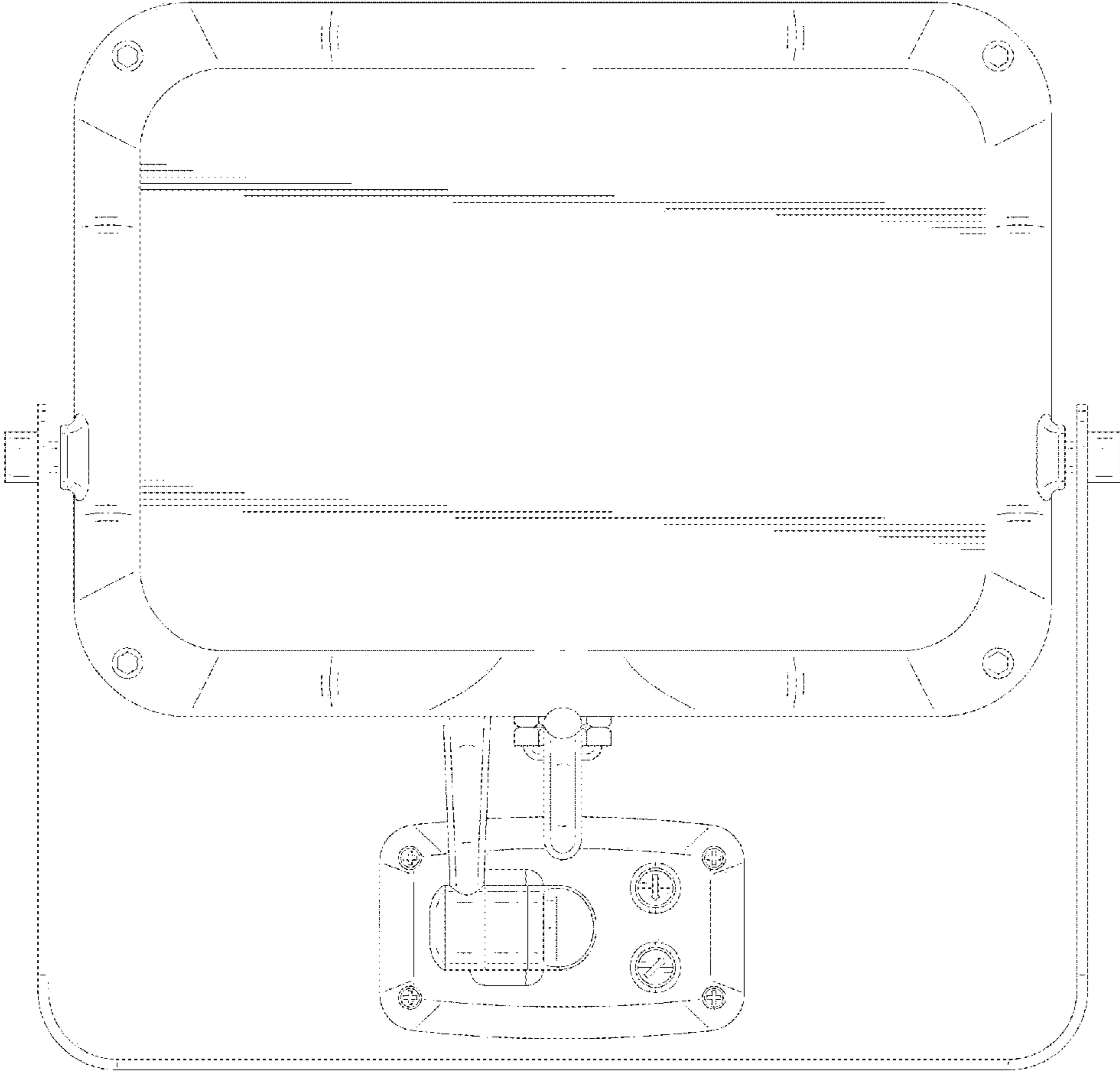


FIG.2

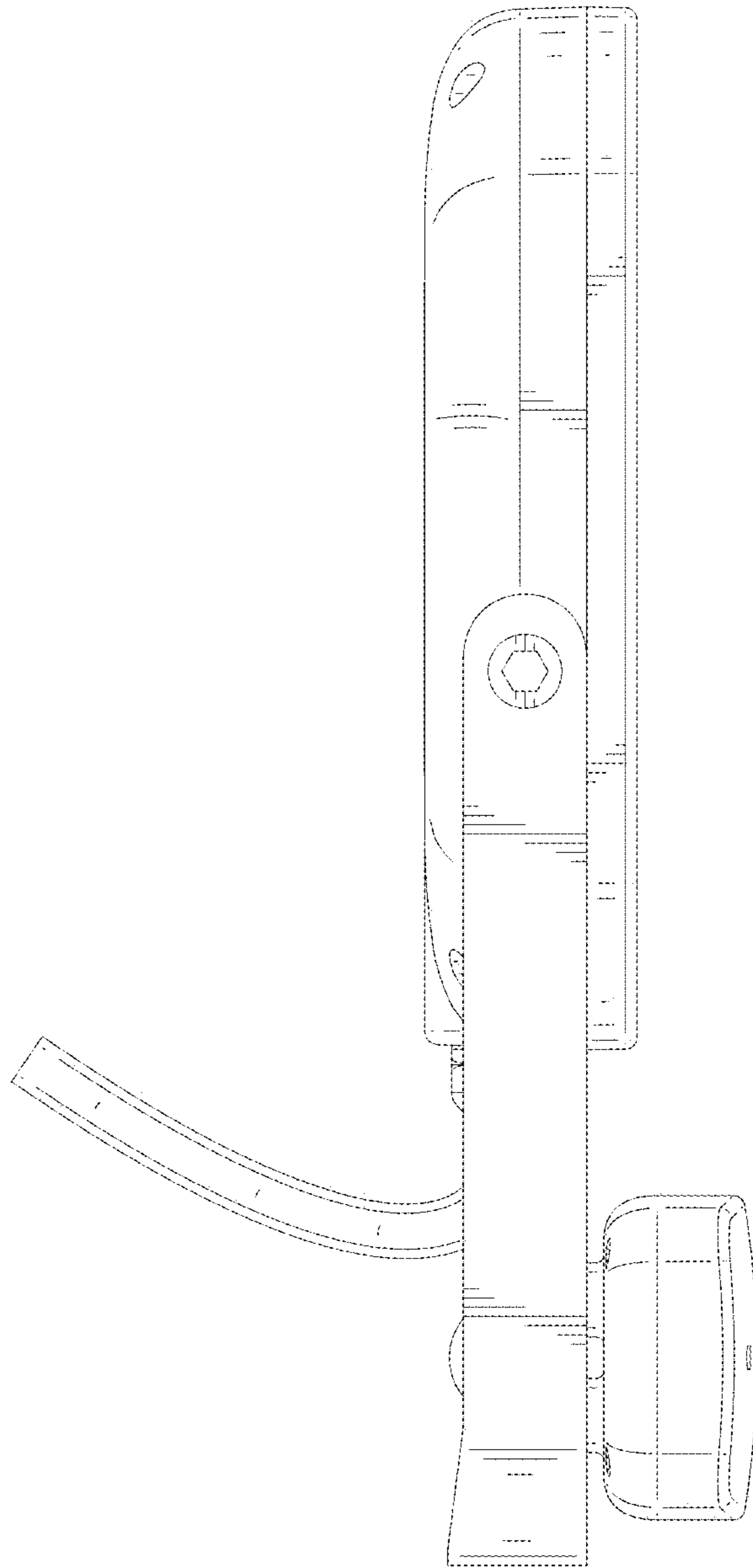


FIG.3

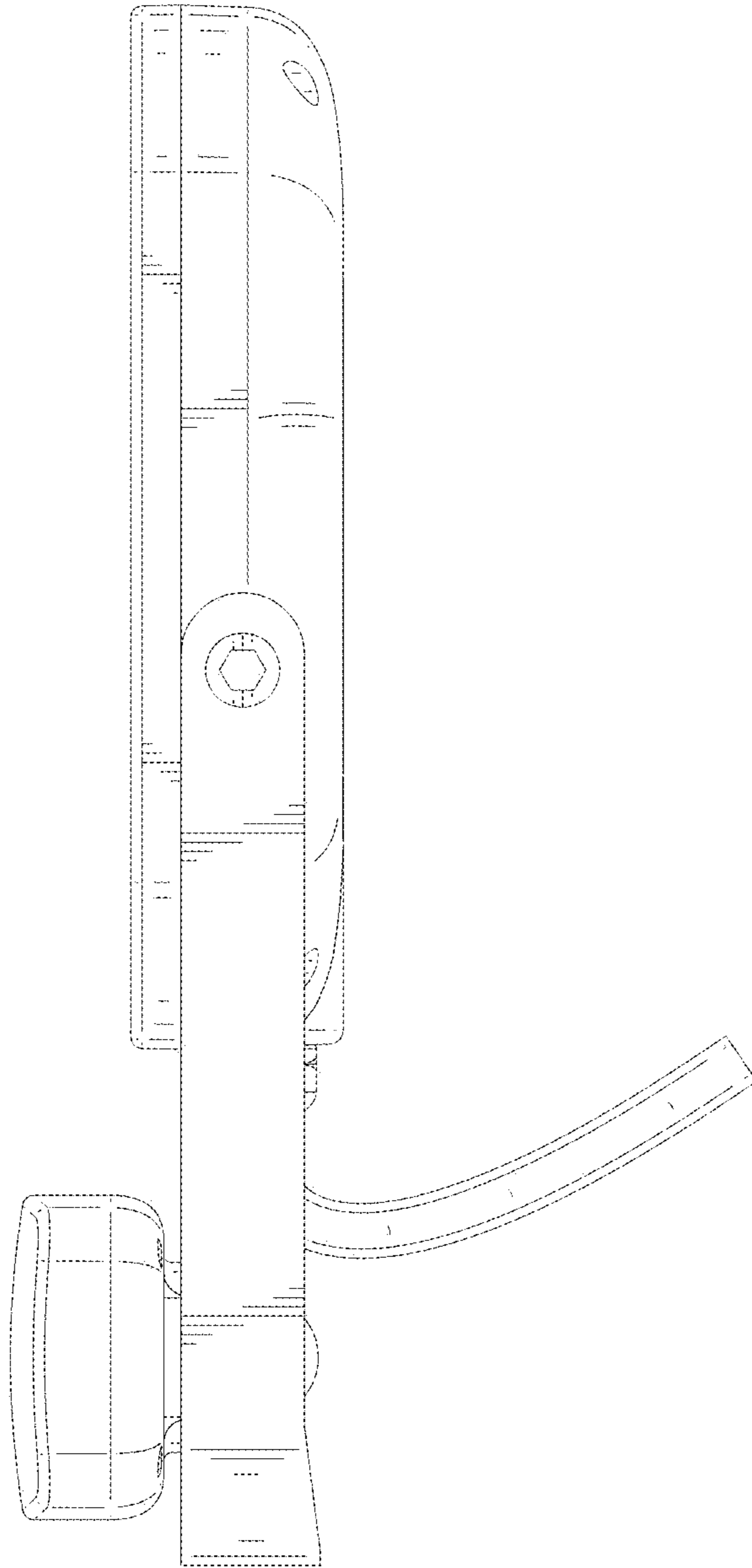


FIG.4

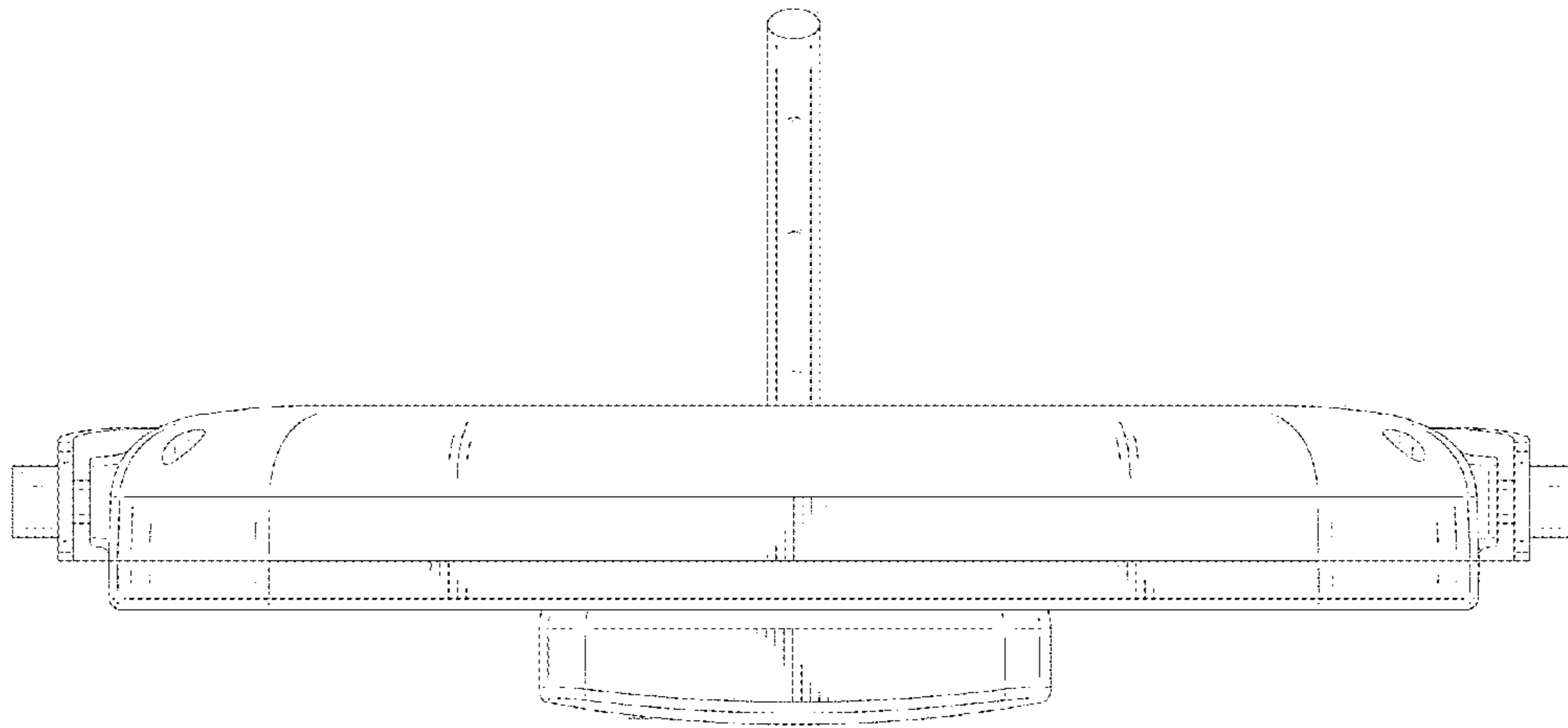


FIG.5

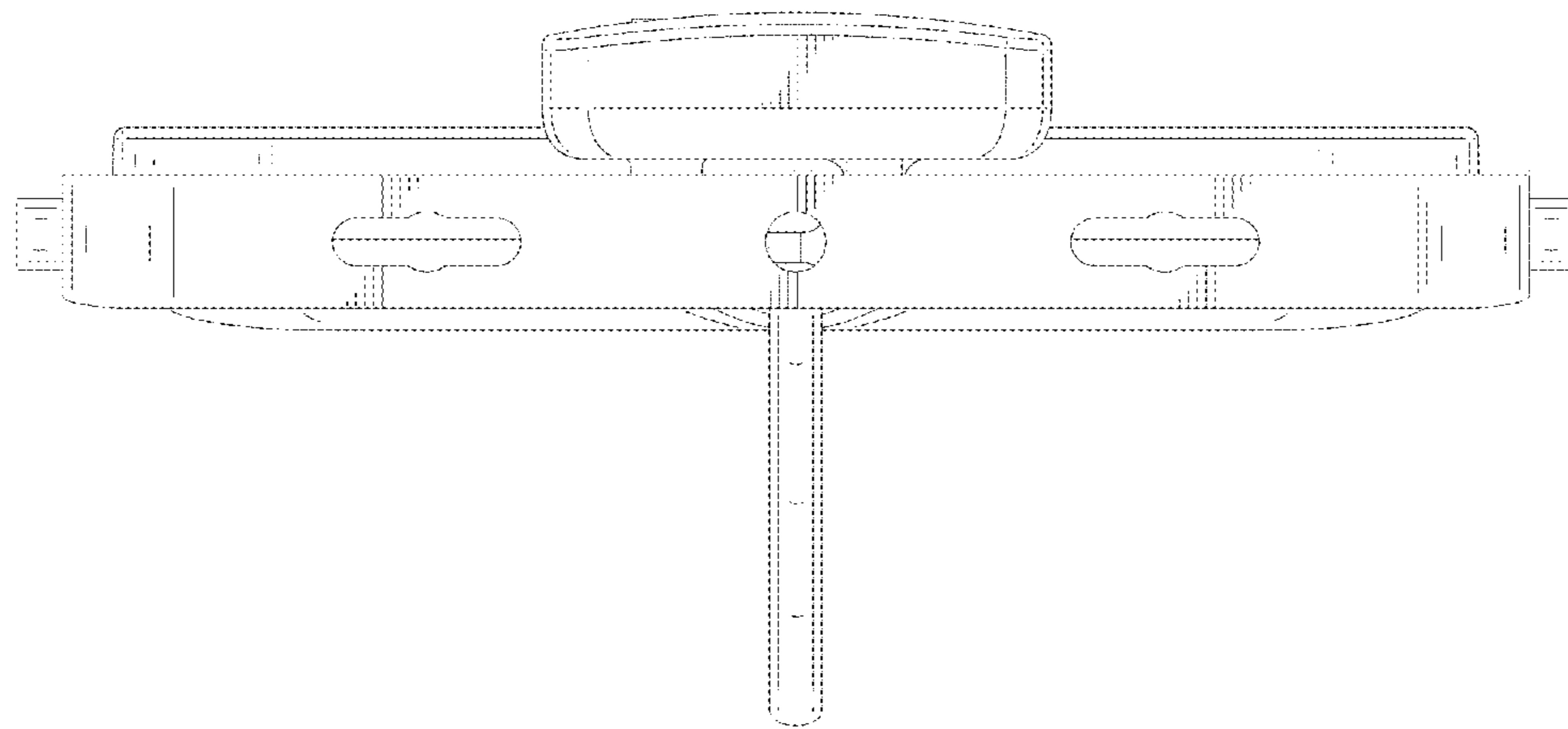


FIG.6

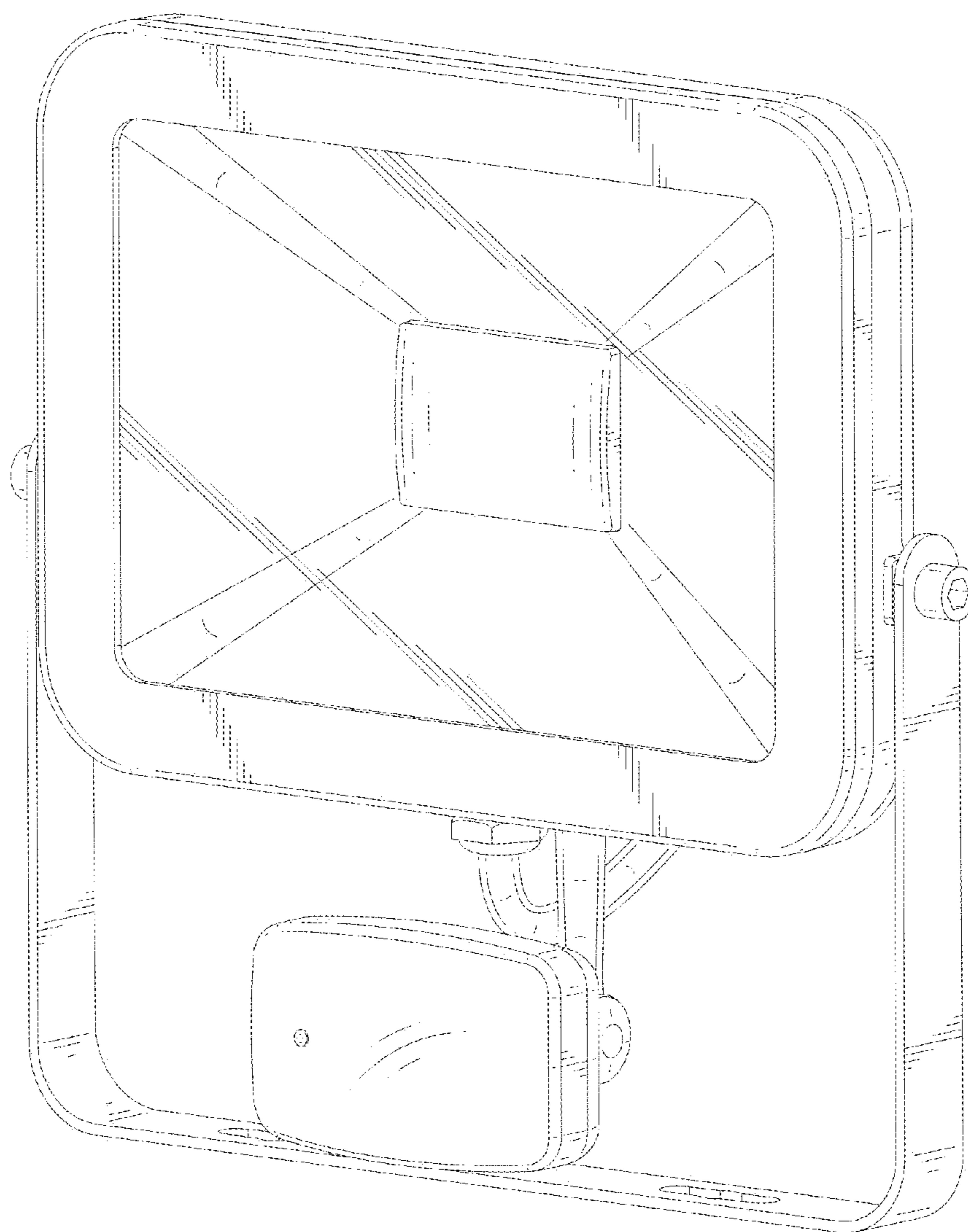


FIG.7

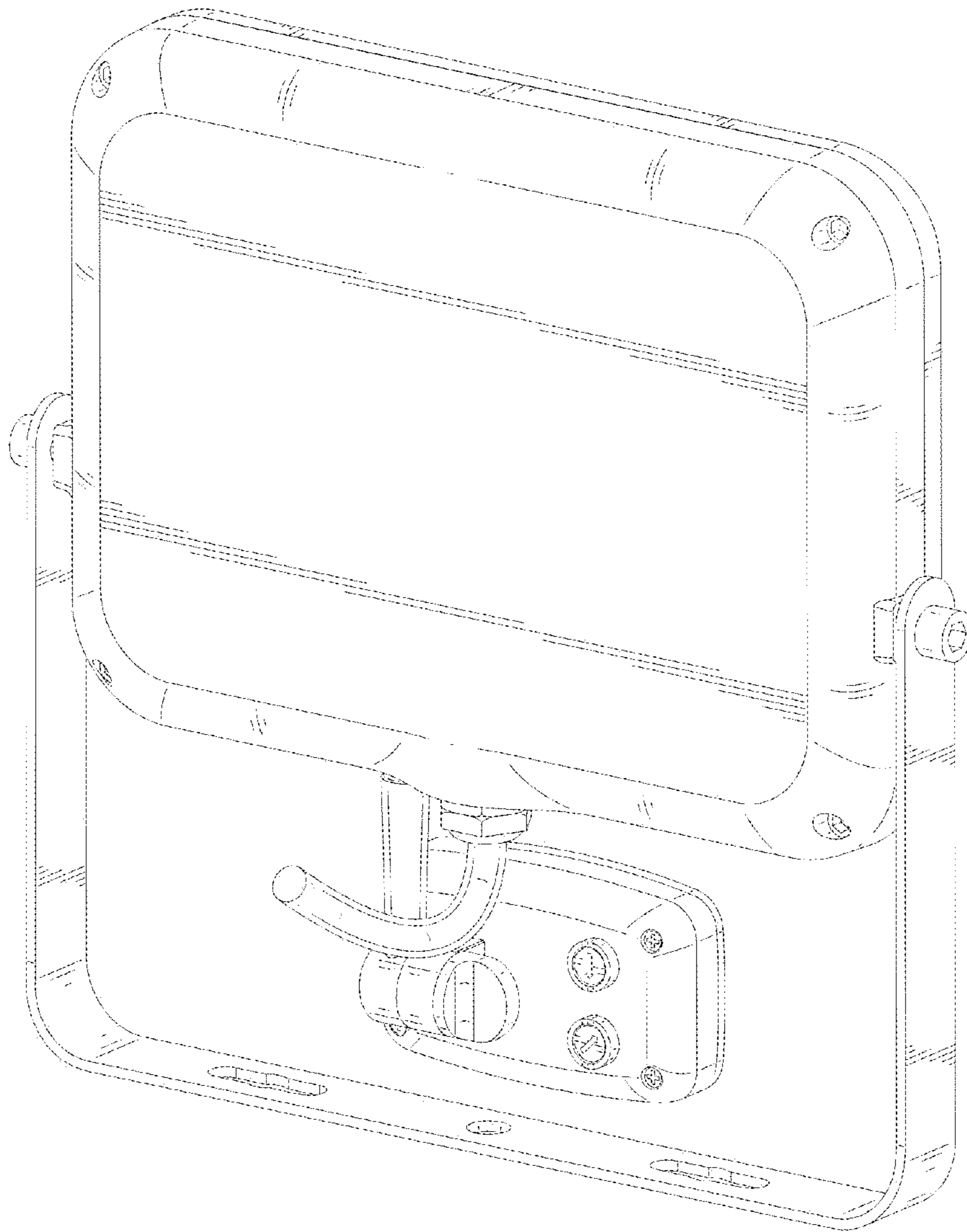


FIG.8

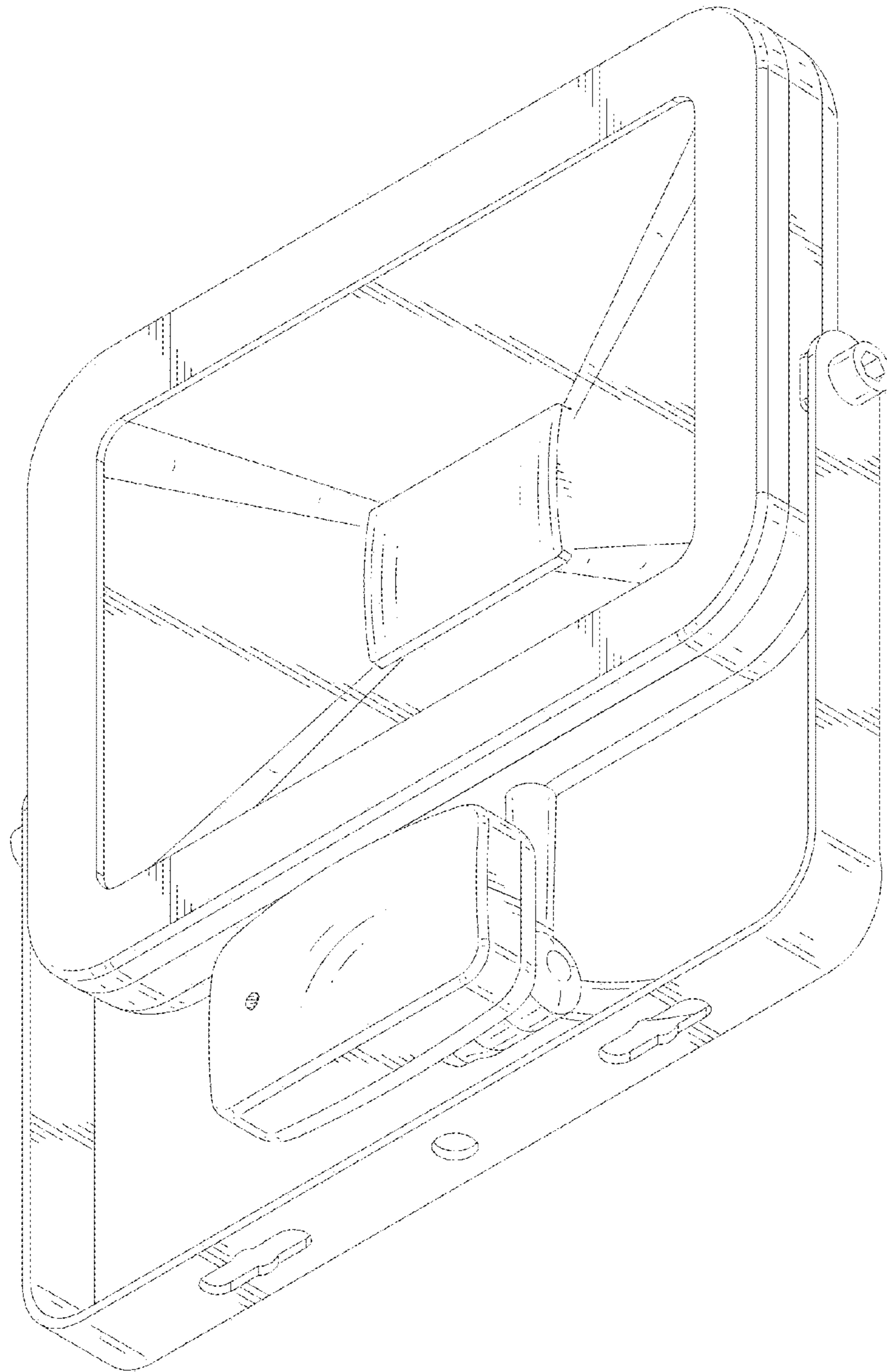


FIG.9

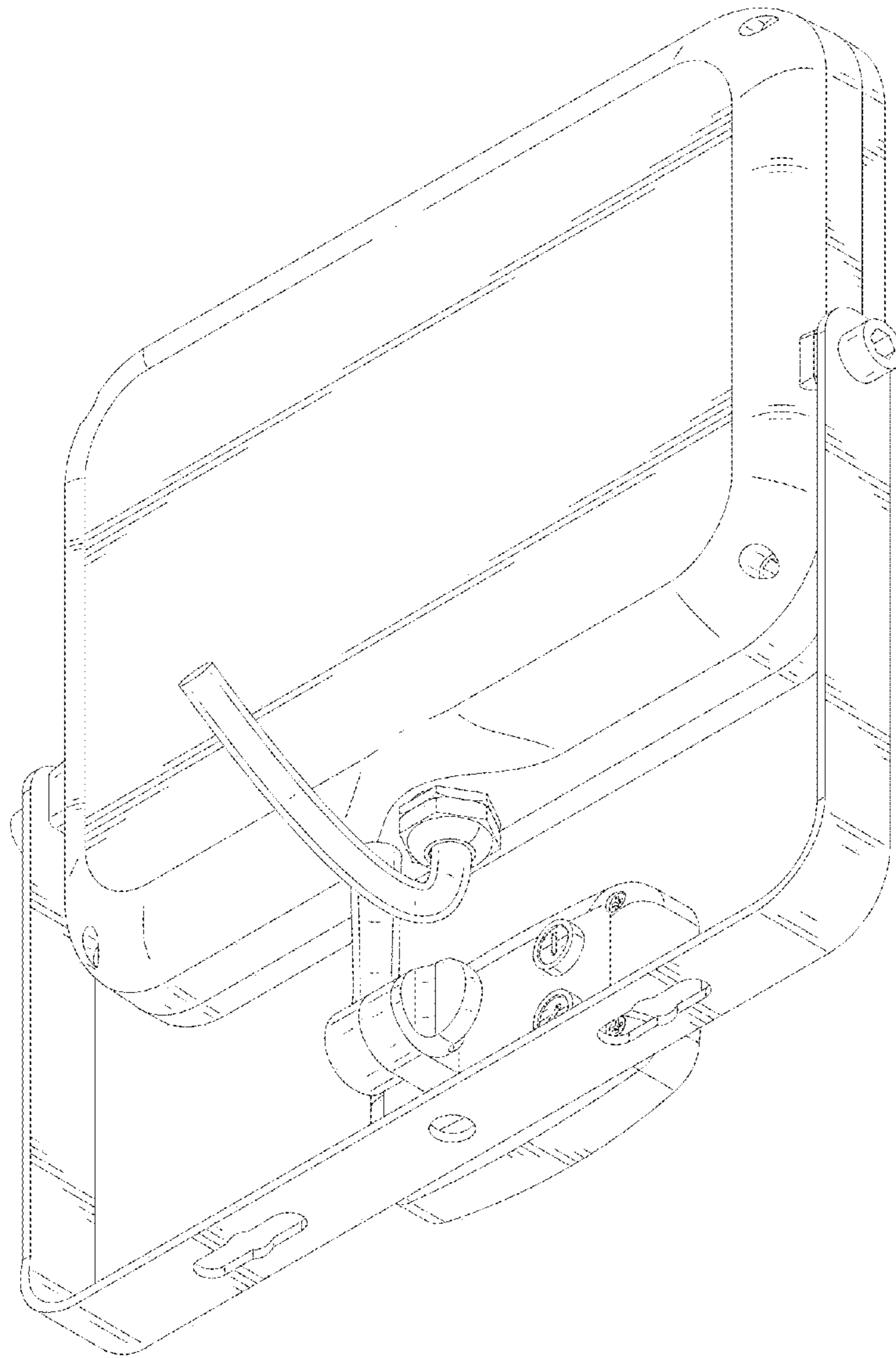


FIG.10