



US00D761472S

(12) **United States Design Patent**  
**Zhu**

(10) **Patent No.:** **US D761,472 S**  
(45) **Date of Patent:** **\*\* Jul. 12, 2016**

(54) **LED LIGHT**

(71) Applicant: **Ningbo Hengjian Photoelectron Technology Co., Ltd., Ningbo (CN)**

(72) Inventor: **Jianjun Zhu, Ningbo (CN)**

(73) Assignee: **Ningbo Hengjian Photoelectron Technology Co., Ltd., Ningbo (CN)**

(\*\*) Term: **15 Years**

(21) Appl. No.: **29/530,448**

(22) Filed: **Jun. 17, 2015**

(30) **Foreign Application Priority Data**

Apr. 8, 2015 (CN) ..... 2015 3 0089517

(51) **LOC (10) CL.** ..... **26-03**

(52) **U.S. CL.**  
USPC ..... **D26/63**

(58) **Field of Classification Search**  
USPC ..... D26/1, 24, 61, 63, 65, 85, 92  
CPC ..... F21V 21/14; F21V 15/01; F21V 14/02;  
F21V 21/30; F21V 21/00; F21V 14/00;  
F21S 8/00; F21S 8/003; F21S 8/043; F21Y  
2105/001

See application file for complete search history.

(56) **References Cited**

U.S. PATENT DOCUMENTS

D642,721 S *	8/2011	Li .....	D26/63
D735,383 S *	7/2015	Zhu .....	D26/63
D736,444 S *	8/2015	Boudewyns .....	D26/63
D744,685 S *	12/2015	Zhan .....	D26/63
D751,751 S *	3/2016	Lockart .....	D26/118

\* cited by examiner

*Primary Examiner* — Brian N Vinson

(74) *Attorney, Agent, or Firm* — Gokalp Bayramoglu

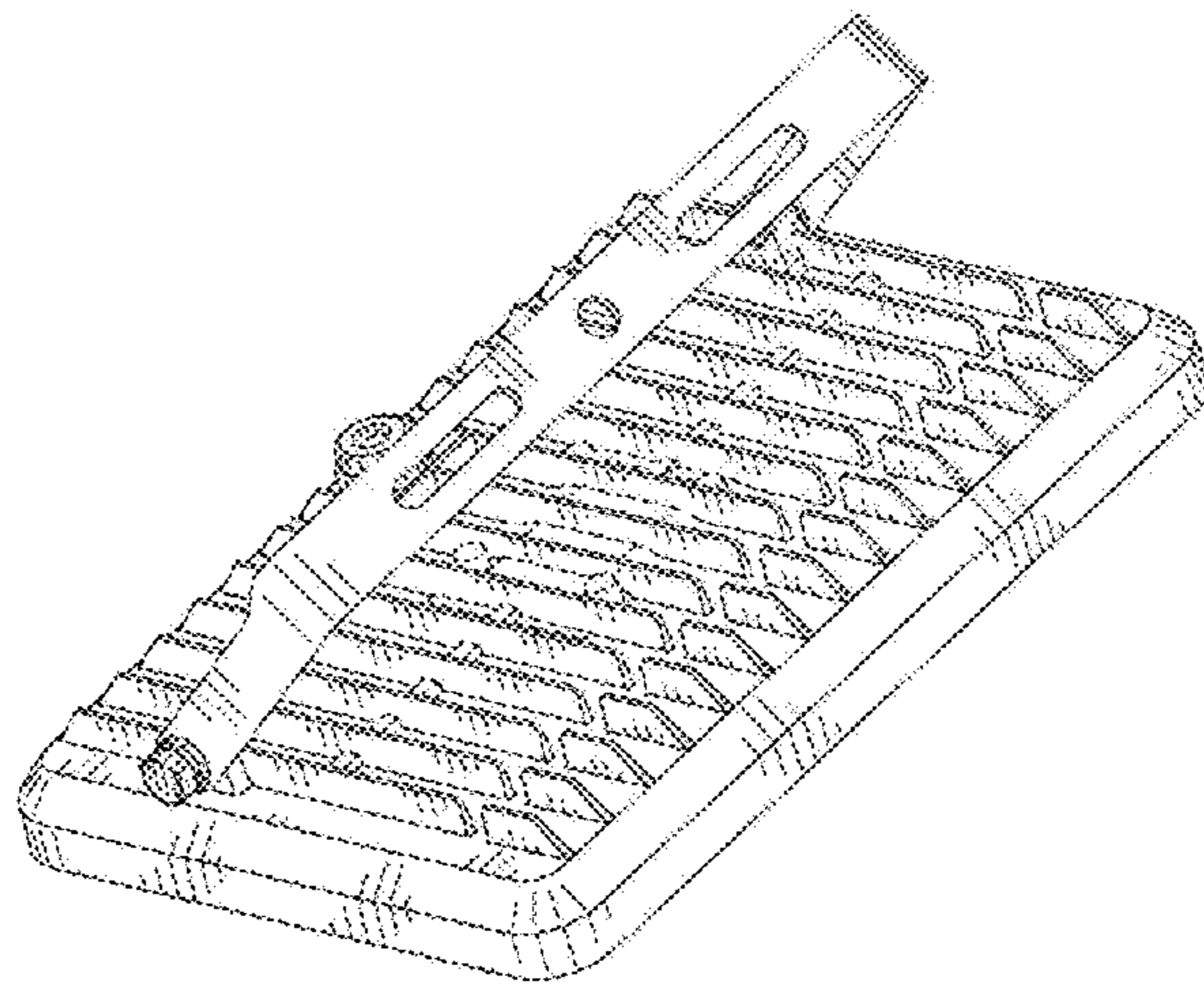
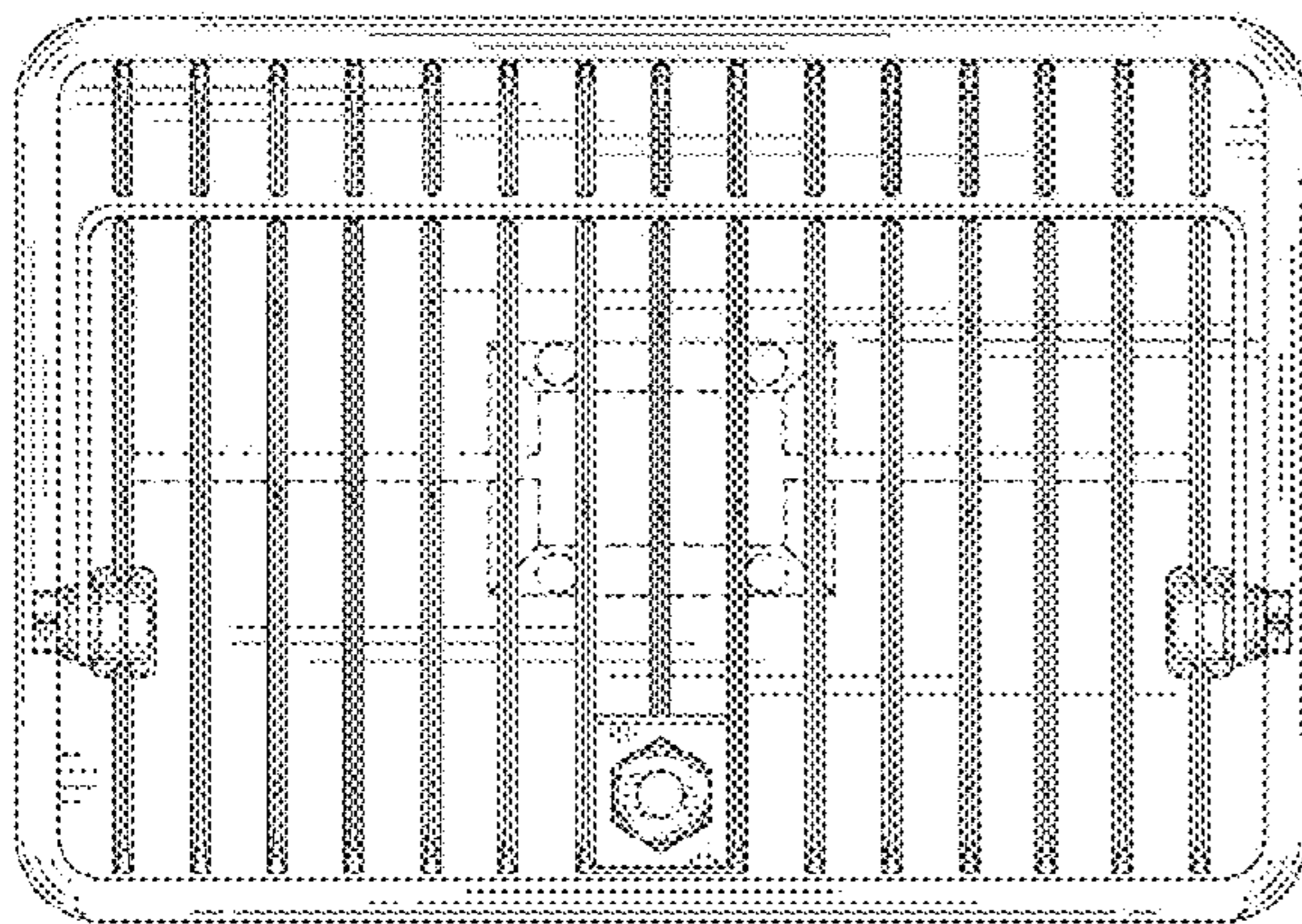
(57) **CLAIM**

The ornamental design for a LED light, as shown and described.

**DESCRIPTION**

FIG. 1 is a front view of a LED light;  
FIG. 2 is a back view thereof;  
FIG. 3 is a top view thereof;  
FIG. 4 is a bottom view thereof;  
FIG. 5 is a left view thereof;  
FIG. 6 is a right view thereof;  
FIG. 7 is a perspective view thereof; and,  
FIG. 8 is a perspective view thereof.  
The broken-line disclosure represents portions of the LED light which form no part of the claimed design.

**1 Claim, 6 Drawing Sheets**



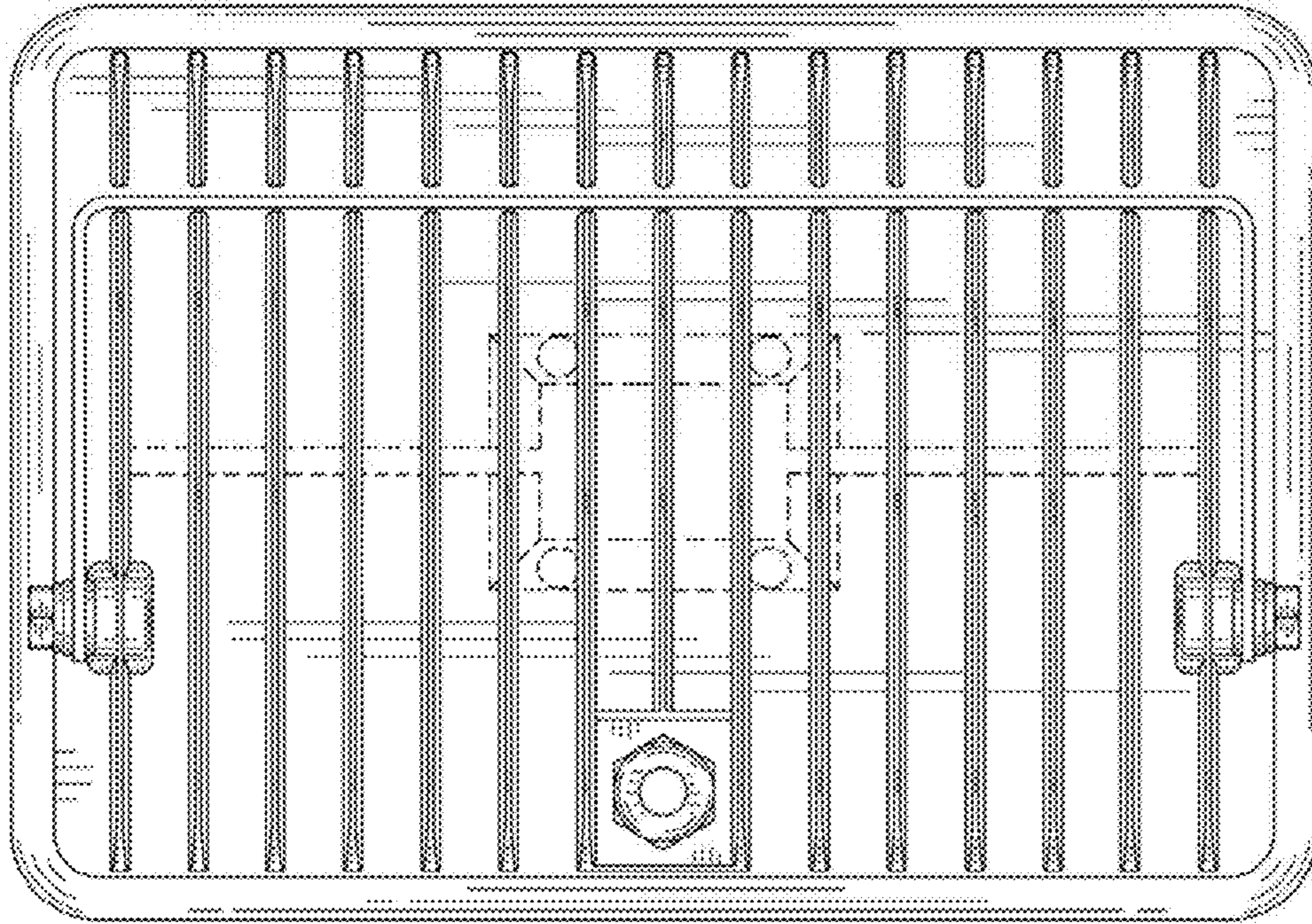


Fig. 1

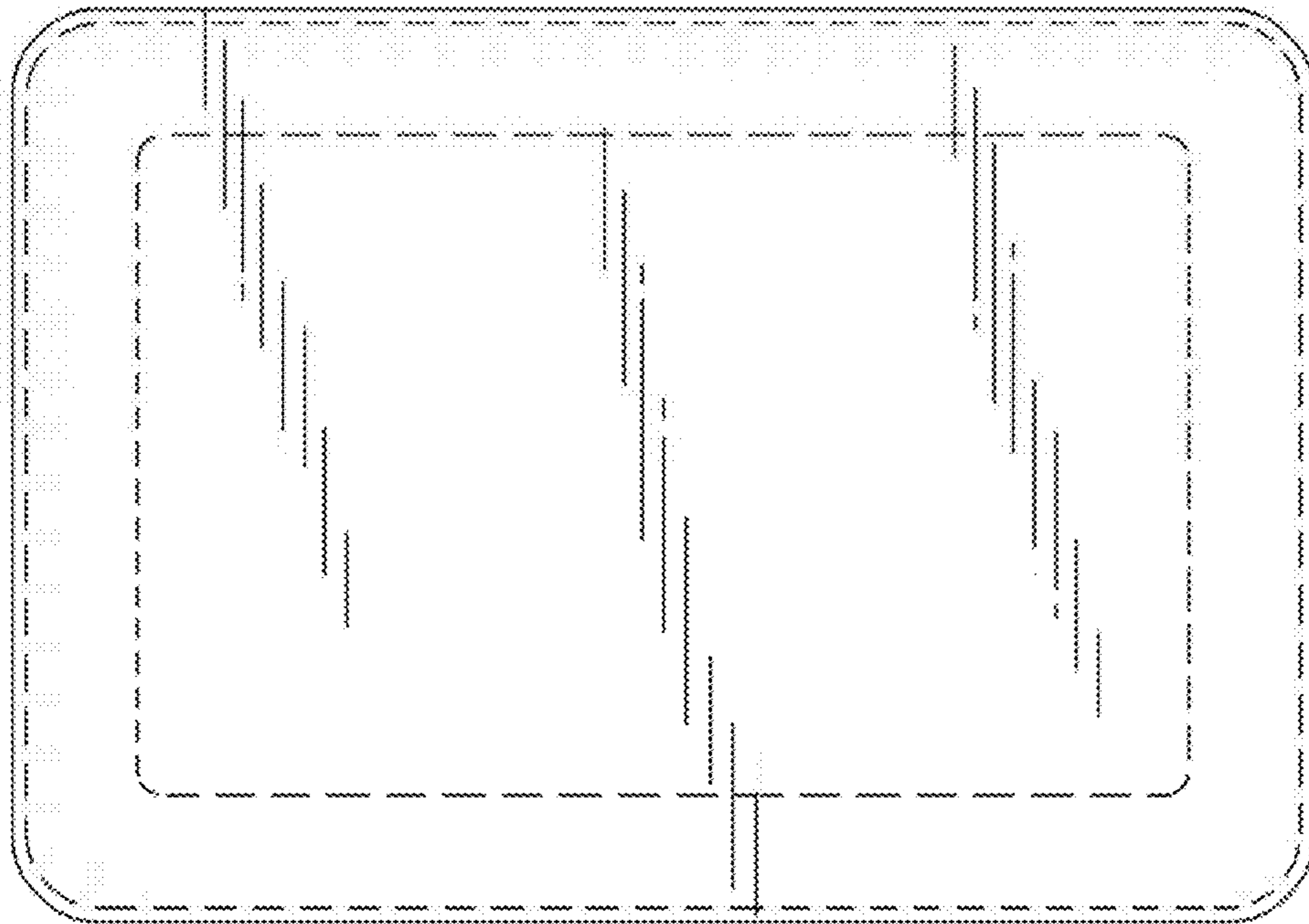


Fig. 2

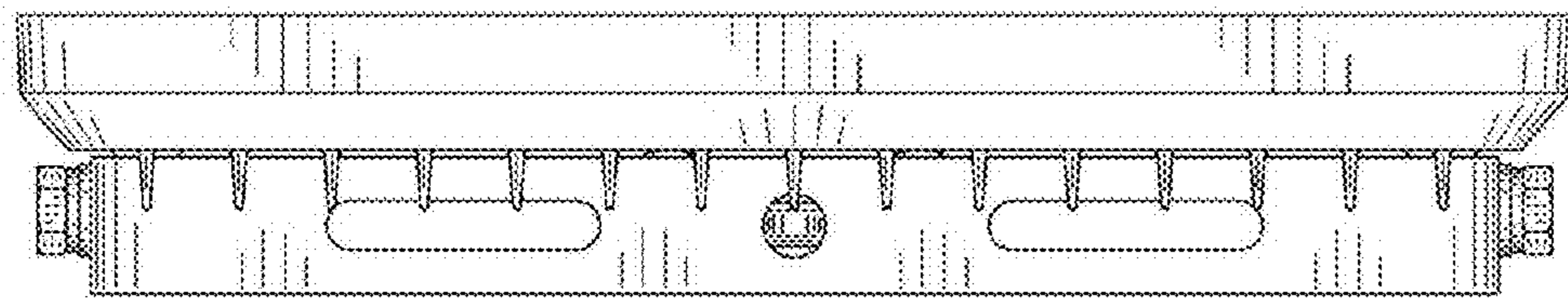


Fig. 3

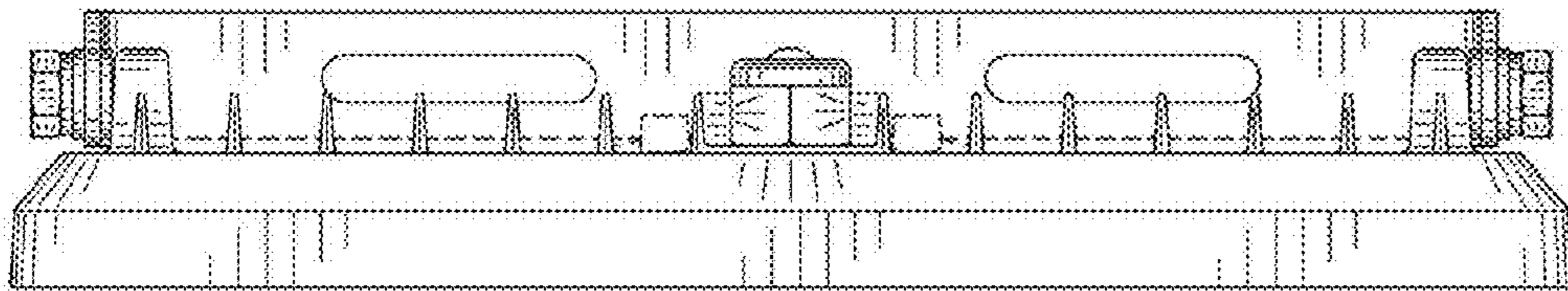


Fig. 4

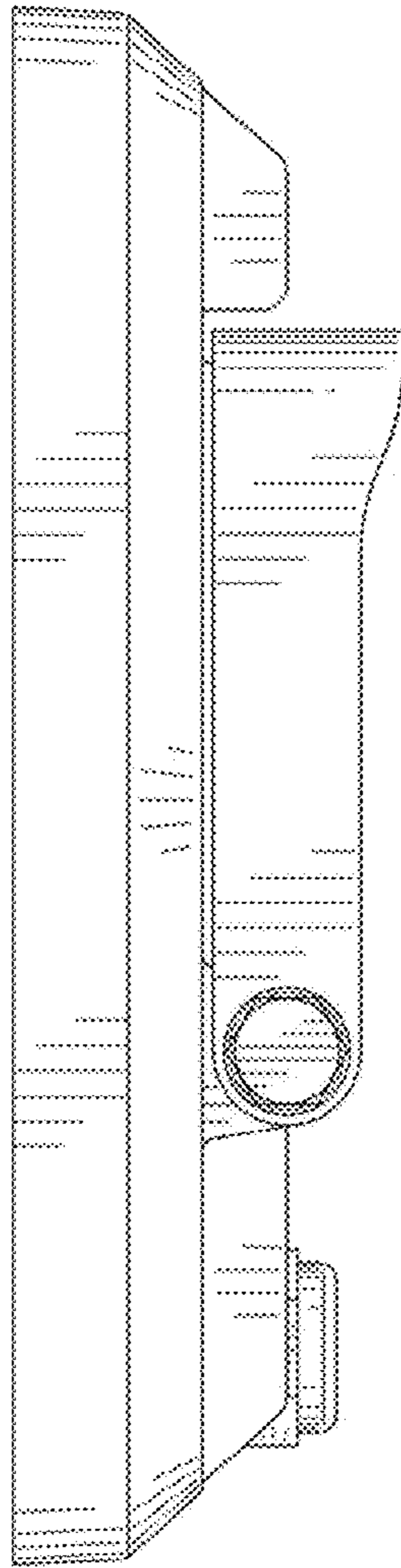


Fig. 5

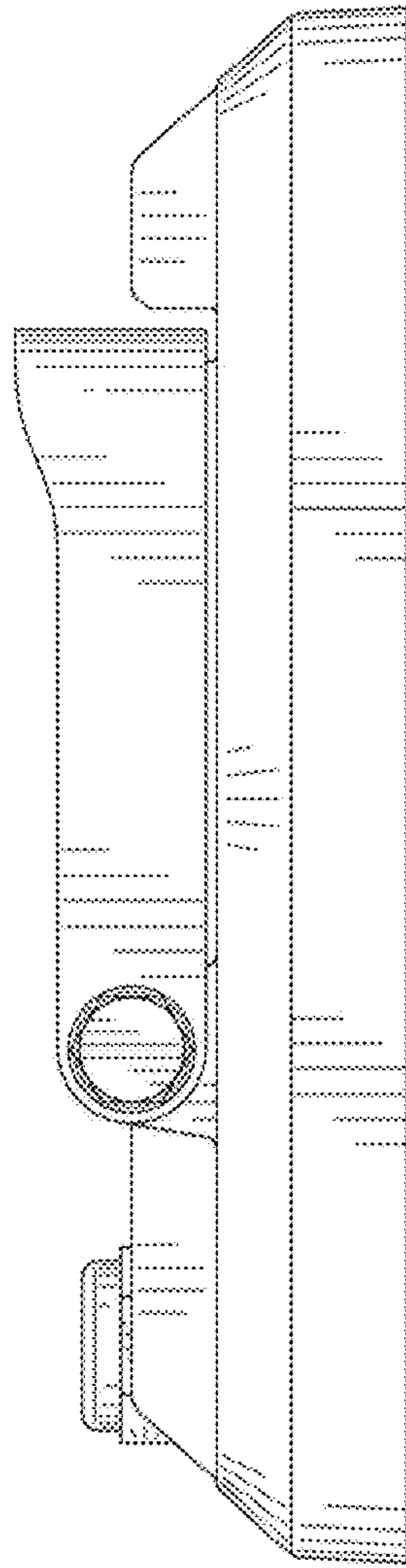


Fig. 6

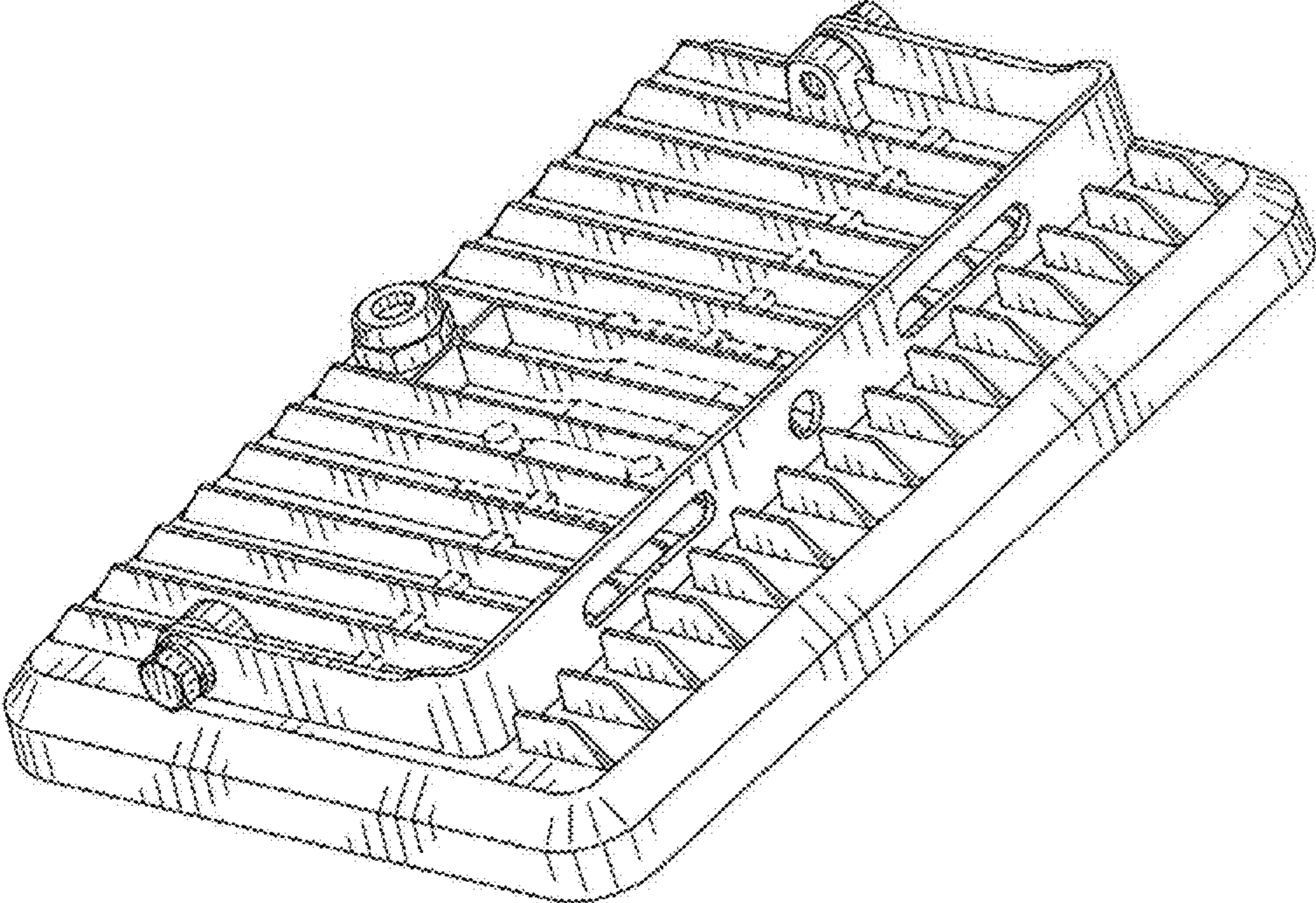


Fig. 7

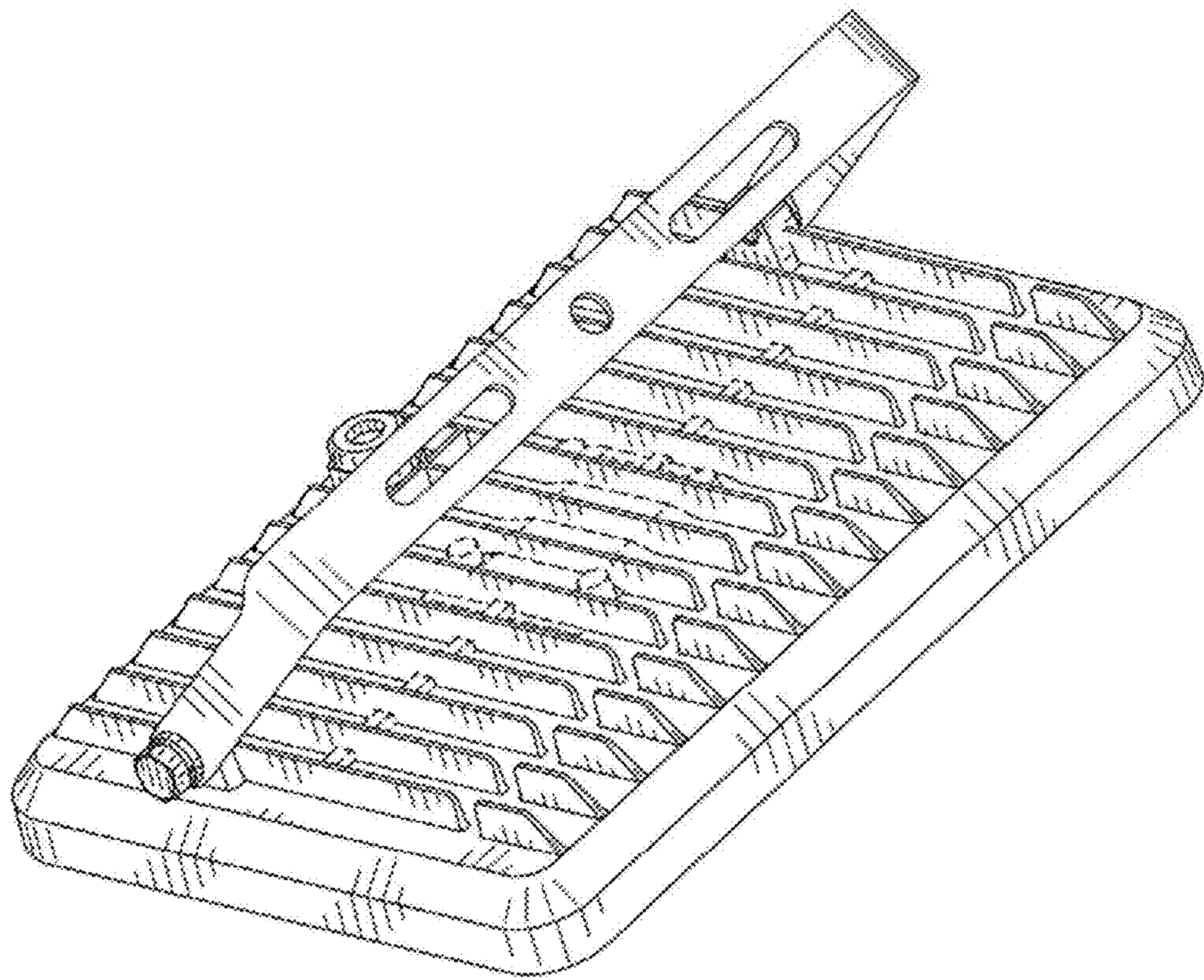


Fig. 8