

US00D761471S

(12) **United States Design Patent**
Hoffmann et al.

(10) **Patent No.:** **US D761,471 S**
(45) **Date of Patent:** **** Jul. 12, 2016**

(54) **CASING FOR A PORTABLE LIGHT**

(71) Applicant: **d.light design, Inc.**, San Francisco, CA (US)

(72) Inventors: **Eva Hoffmann**, San Francisco, CA (US); **Alexander Baumgardt**, San Francisco, CA (US)

(73) Assignee: **d.light design, Inc.**, San Francisco, CA (US)

(**) Term: **14 Years**

(21) Appl. No.: **29/512,766**

(22) Filed: **Dec. 22, 2014**

(51) **LOC (10) Cl.** **26-03**

(52) **U.S. Cl.**
USPC **D26/63**

(58) **Field of Classification Search**
USPC D26/1, 24, 61, 63, 65, 85, 92
CPC F21V 21/14; F21V 15/01; F21V 14/02;
F21V 21/30; F21V 21/00; F21V 14/00;
F21S 8/00; F21S 8/003; F21S 8/043; F21Y
2105/001

See application file for complete search history.

(56) **References Cited**

U.S. PATENT DOCUMENTS

D291,926 S 9/1987 Schlepp
D298,469 S 11/1988 Melrose

D309,787 S	8/1990	Chien	
D430,332 S	8/2000	Hsieh	
D443,383 S	6/2001	Shih	
D501,573 S	2/2005	Benensohn	
D532,142 S	11/2006	Matsui	
D549,386 S	8/2007	Zuloff	
D576,753 S	9/2008	Mukai	
D609,851 S	2/2010	Choi	
D617,930 S *	6/2010	Chen	D26/60
D621,541 S	8/2010	Hamel	
D666,345 S *	8/2012	Wang	D26/63
D698,476 S *	1/2014	Korpi	D26/63
D736,444 S *	8/2015	Boudewyns	D26/63
D742,572 S *	11/2015	Khayat	D26/63
D744,139 S *	11/2015	Itoh	D26/63

* cited by examiner

Primary Examiner — Brian N Vinson

(74) *Attorney, Agent, or Firm* — Morgan, Lewis & Bockius LLP

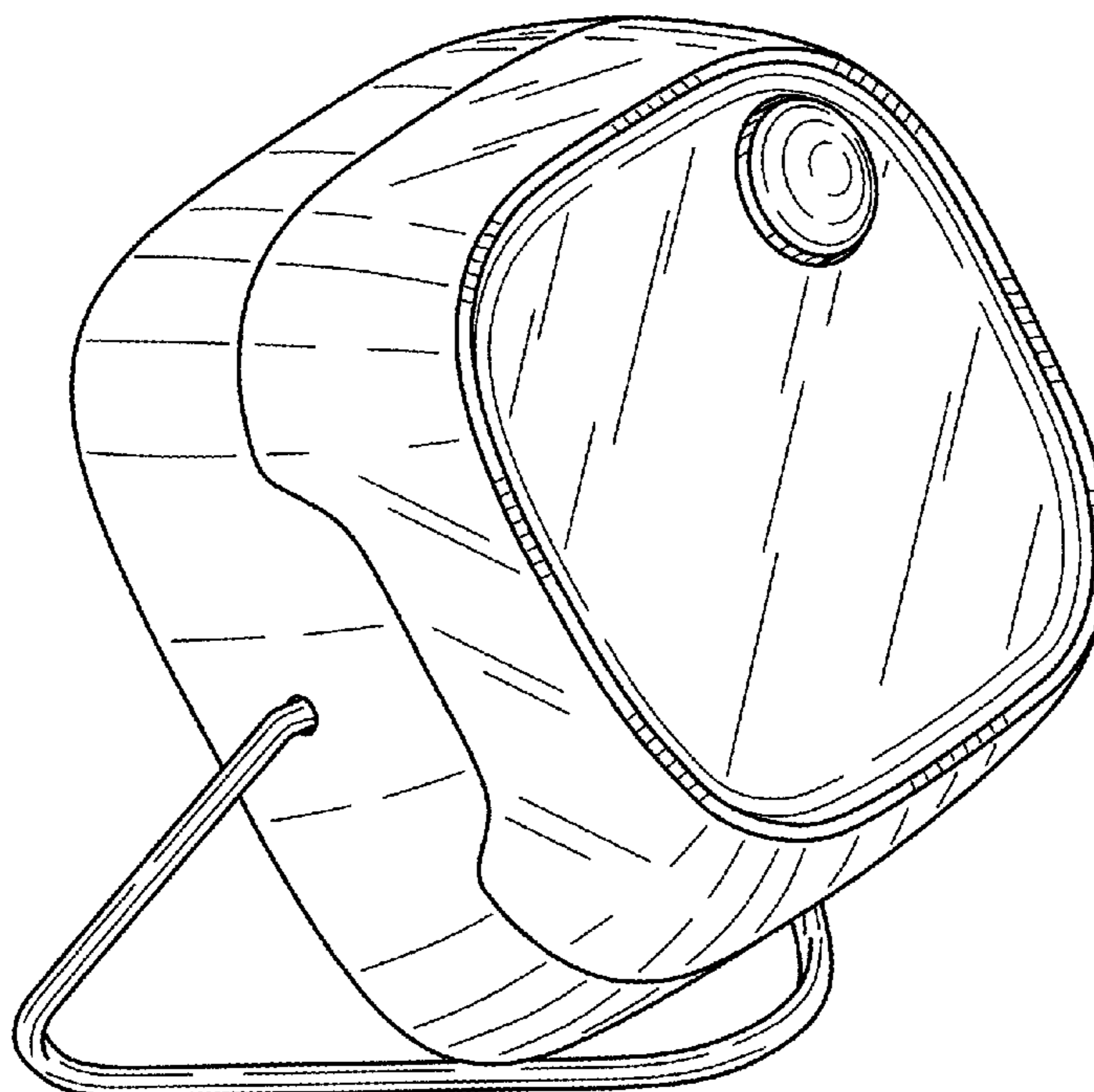
(57) **CLAIM**

An ornamental design for a casing for a portable light, as shown and described.

DESCRIPTION

FIG. 1 is a top front perspective view of our new design of a casing for a portable light;
FIG. 2 is a front view thereof;
FIG. 3 is a rear view thereof;
FIG. 4 is a side view thereof;
FIG. 5 is a top view thereof; and,
FIG. 6 is a bottom view thereof.

1 Claim, 6 Drawing Sheets



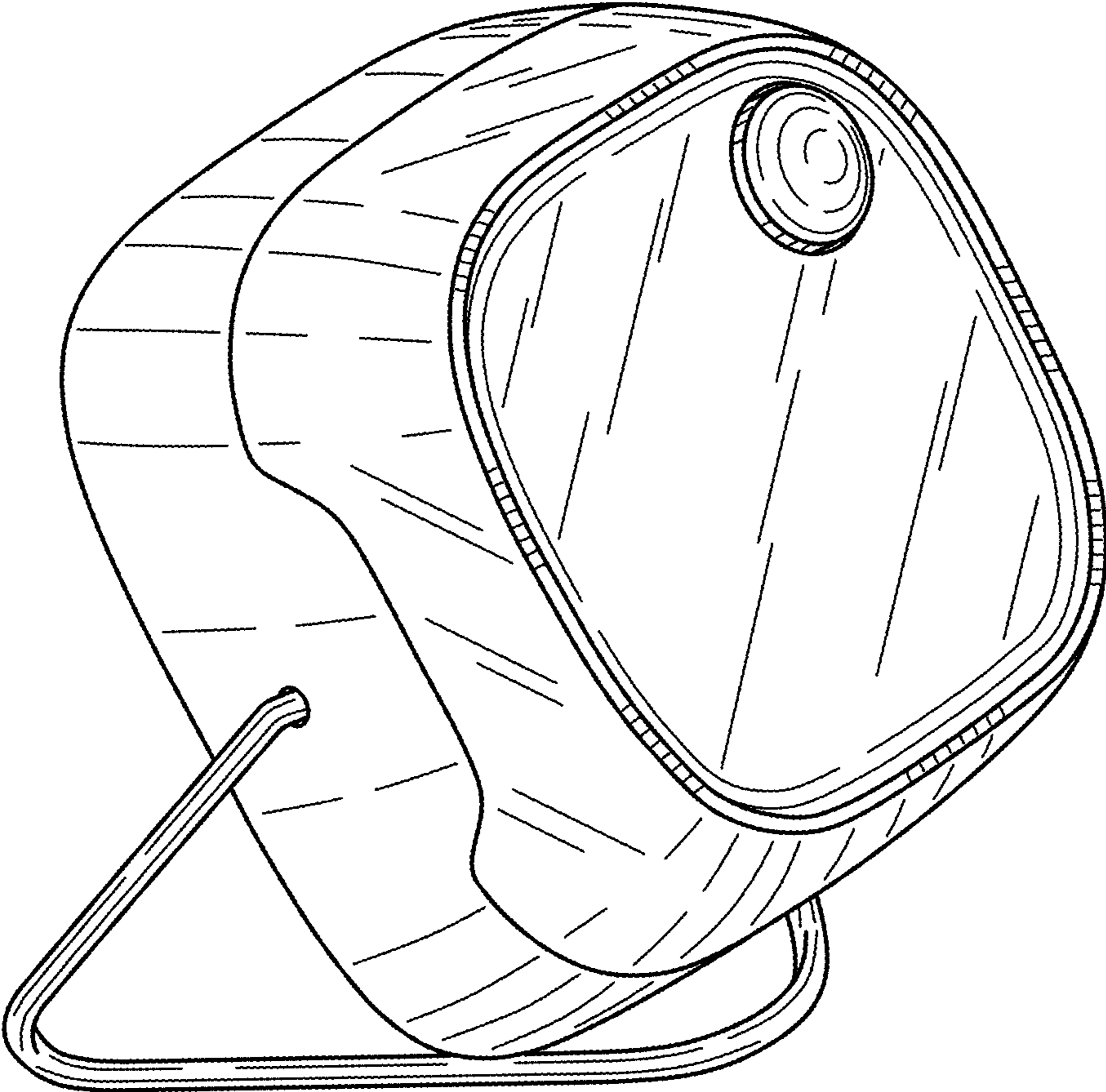


FIG. 1

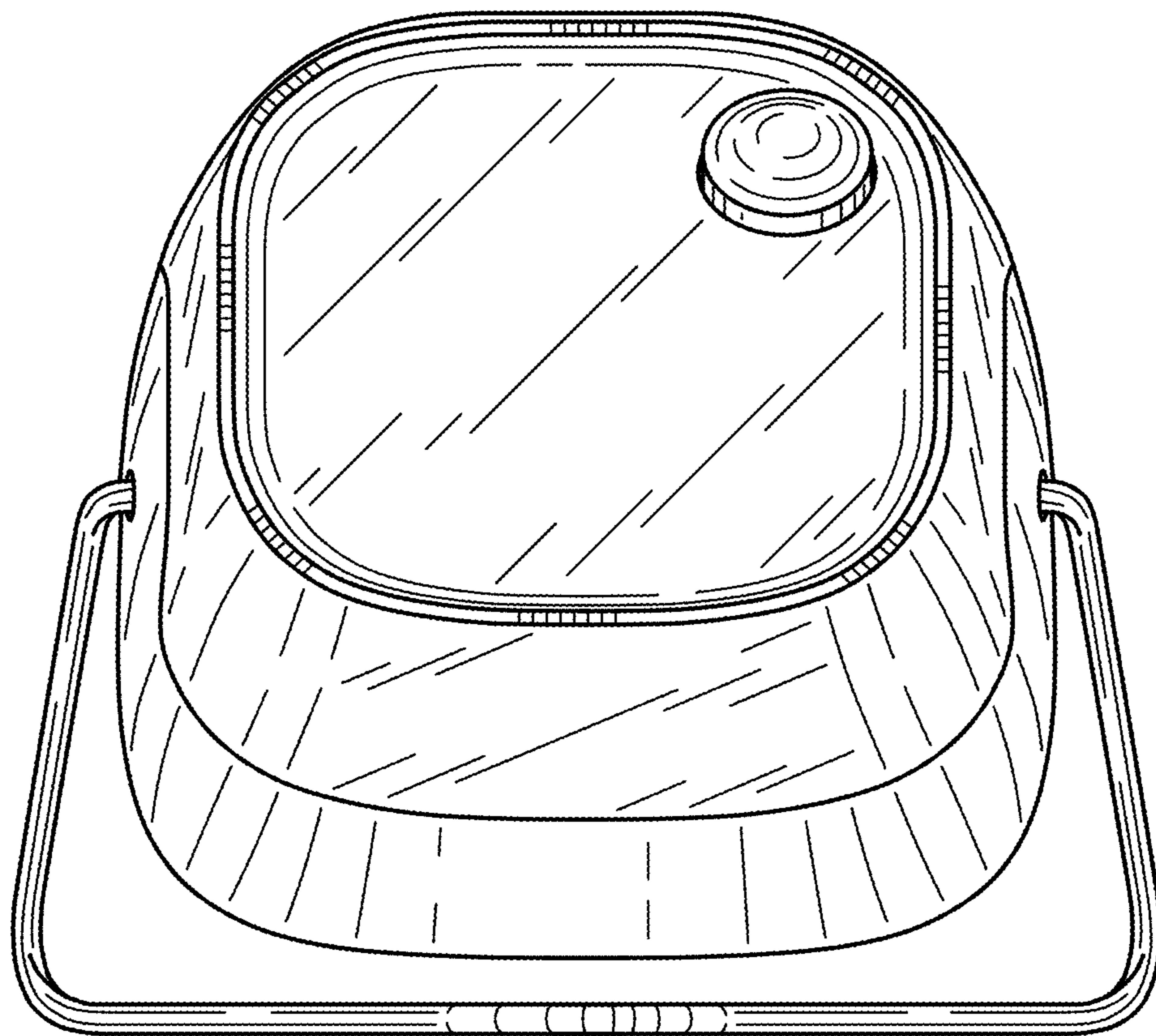


FIG. 2

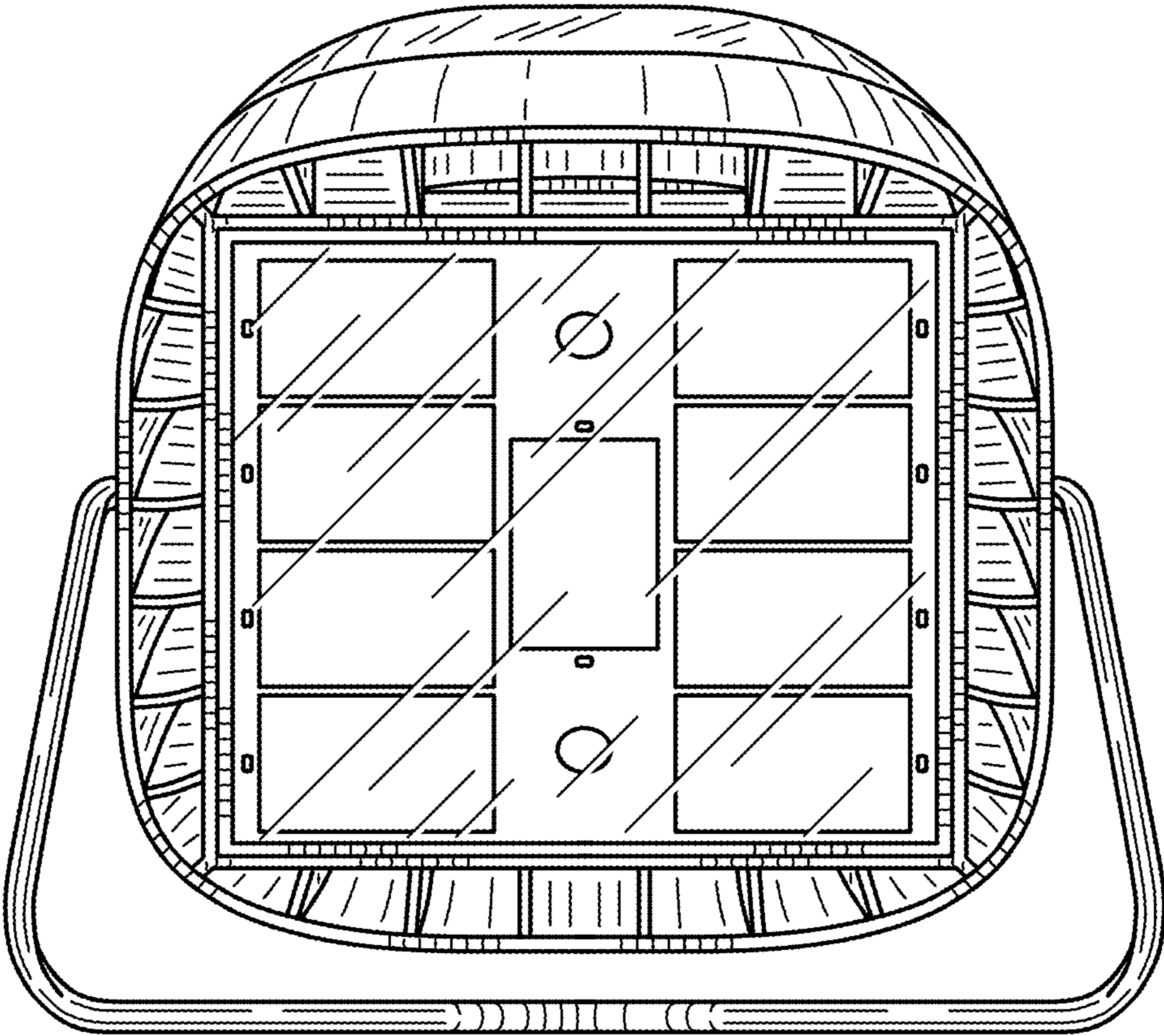


FIG. 3

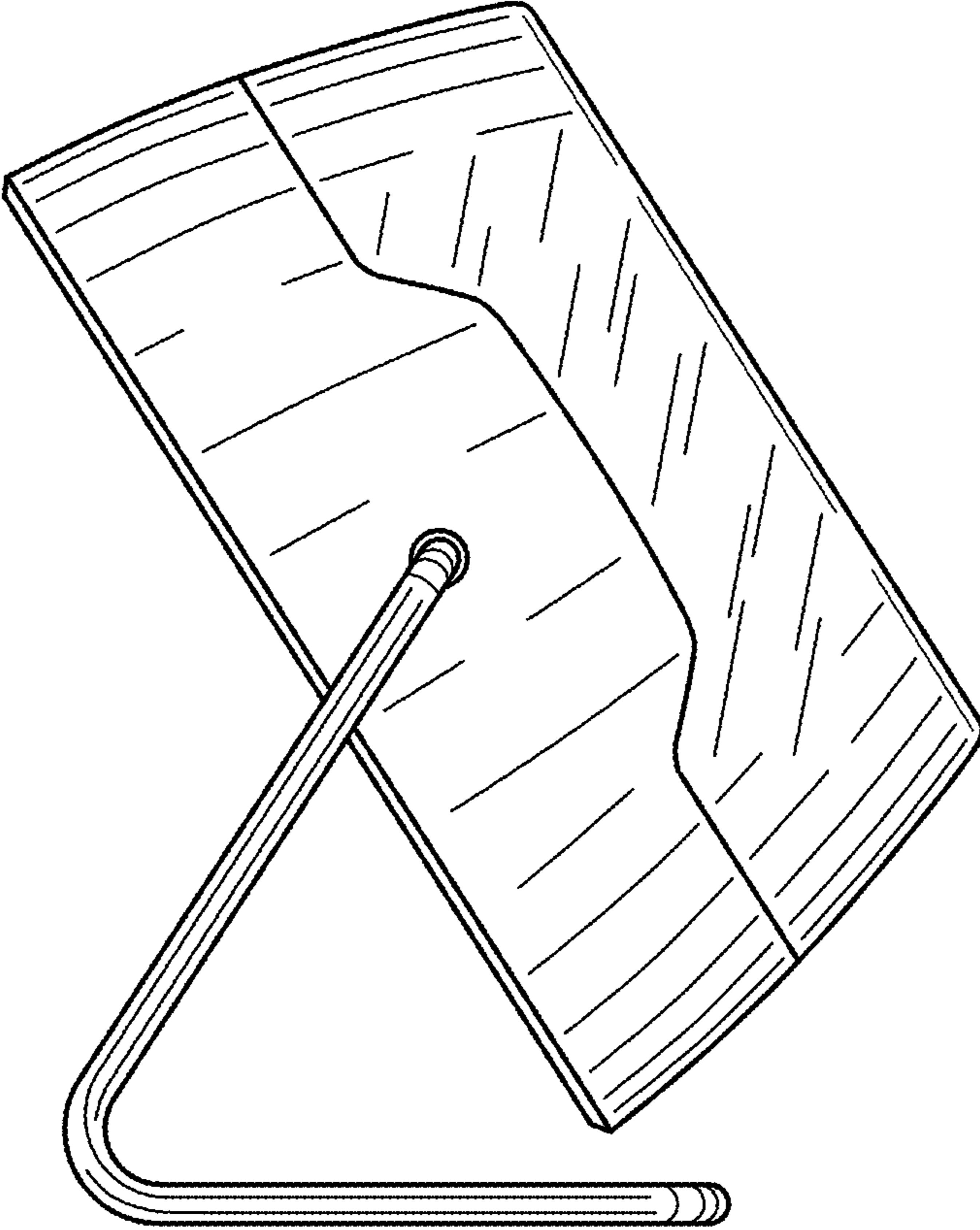


FIG. 4

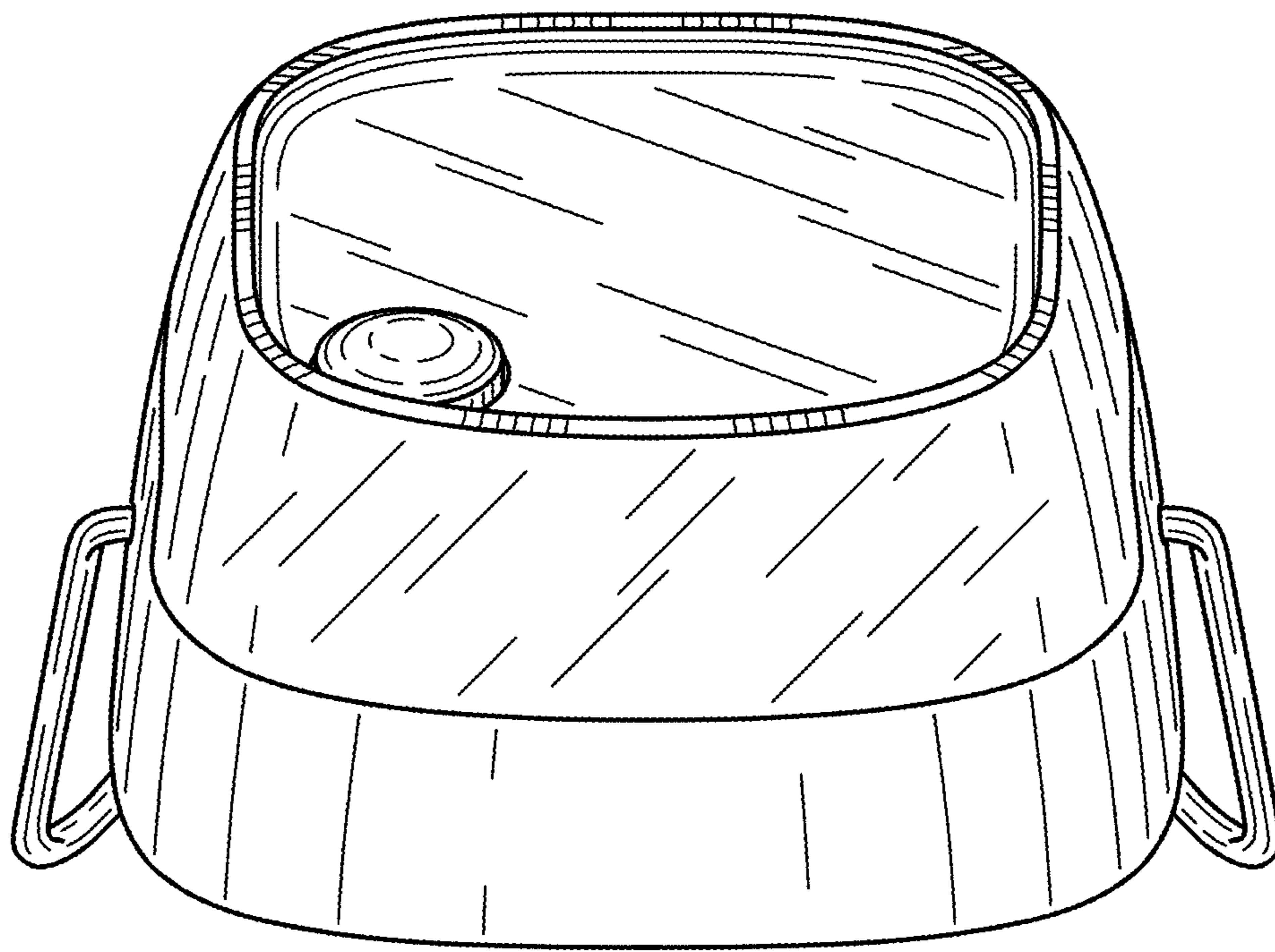


FIG. 5

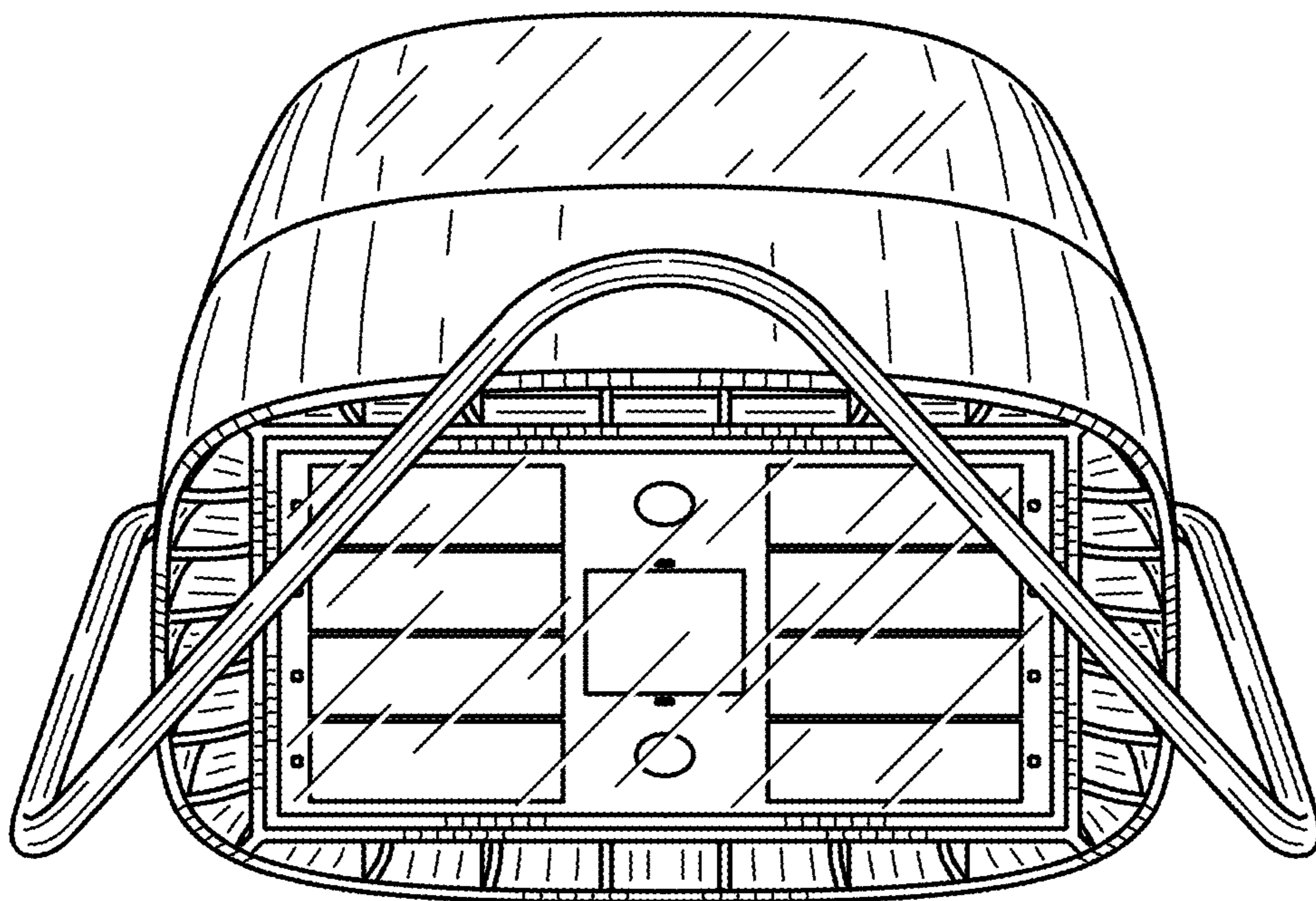


FIG. 6