



US00D761470S

(12) **United States Design Patent**
Fizer et al.

(10) **Patent No.:** **US D761,470 S**
(45) **Date of Patent:** **** Jul. 12, 2016**

(54) **PORTABLE LIGHT**

(56) **References Cited**

(71) Applicant: **DELTA T CORPORATION**,
Lexington, KY (US)
(72) Inventors: **Richard W. Fizer**, Lexington, KY (US);
Huey Shane Hurley, Richmond, KY
(US); **Thomas J. Massey**, Lexington,
KY (US)
(73) Assignee: **DELTA T CORPORATION**,
Lexington, KY (US)

U.S. PATENT DOCUMENTS

D465,897 S * 11/2002 Smith D34/24
D565,824 S * 4/2008 Mueller D34/12
D581,123 S * 11/2008 Henderson D34/12
D707,379 S * 6/2014 Reinoso D26/63
D737,493 S * 8/2015 Yasuji Fletcher D26/63

OTHER PUBLICATIONS

Big Ass Fans installation brochure, Installation Guide-Yellow Jacket,
Apr. 2015, 64 Pages.

* cited by examiner

(**) Term: **14 Years**

Primary Examiner — Brian N Vinson

(21) Appl. No.: **29/503,122**

(74) *Attorney, Agent, or Firm* — King & Schickli, PLLC

(22) Filed: **Sep. 23, 2014**

(57) **CLAIM**

The ornamental design for a portable light, as shown and
described.

(51) **LOC (10) Cl.** **26-03**

DESCRIPTION

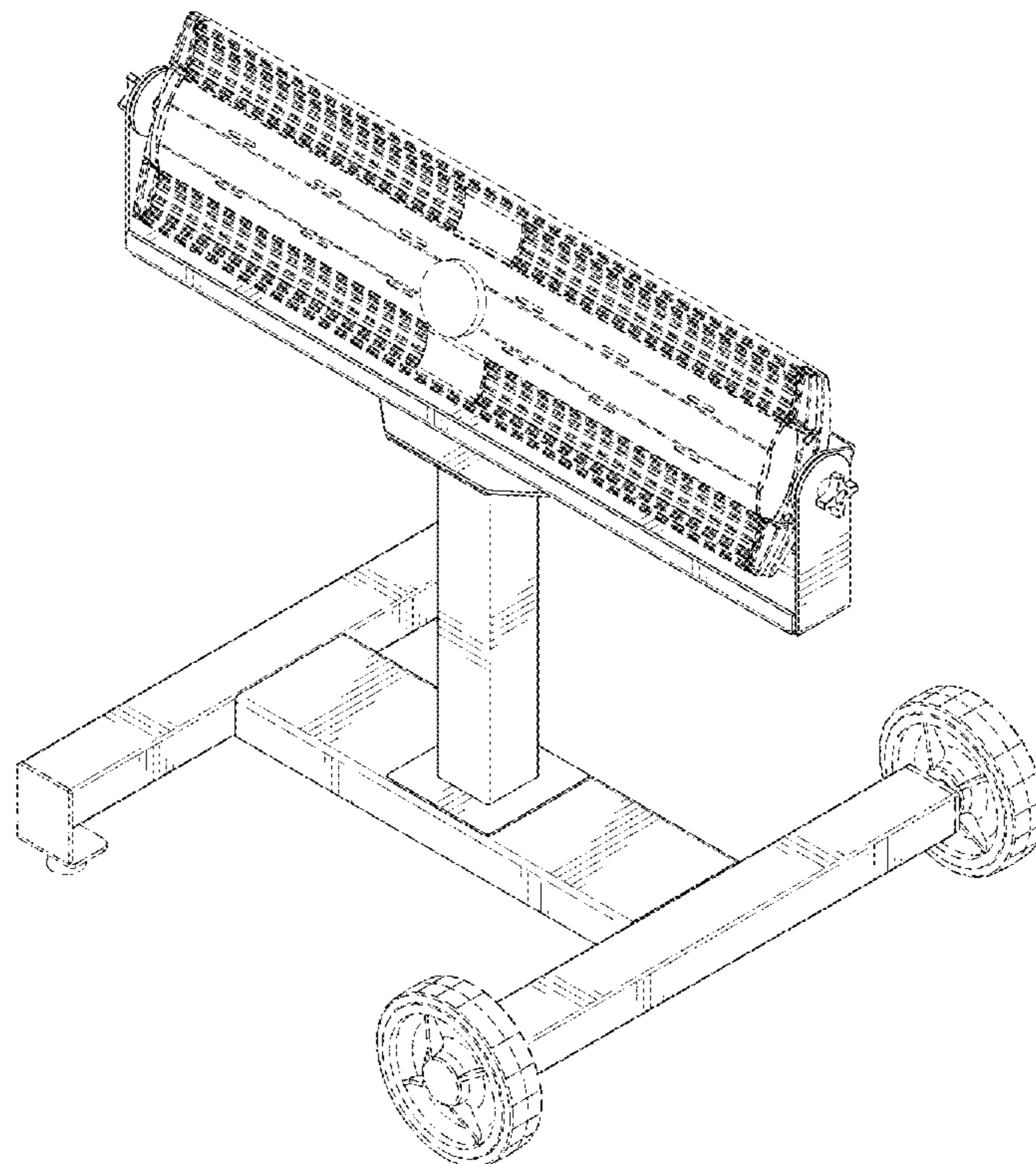
(52) **U.S. Cl.**
USPC **D26/51**

(58) **Field of Classification Search**
USPC D26/1, 24, 61, 63, 65, 85, 92, 51;
D34/12, 14, 24
CPC F21V 21/14; F21V 15/01; F21V 14/02;
F21V 21/30; F21V 21/00; F21V 14/00;
F21S 8/00; F21S 8/003; F21S 8/043; F21Y
2105/001

FIG. 1 is a top perspective view of the portable light;
FIG. 2 is a bottom perspective view of the portable light;
FIG. 3 is a front view of the portable light;
FIG. 4 is a left side view of the portable light;
FIG. 5 is a rear view of the portable light;
FIG. 6 is a right side view of the portable light;
FIG. 7 is a top view of the portable light; and,
FIG. 8 is a bottom view of the portable light.
The broken line depictions form no part of the claimed
design.

See application file for complete search history.

1 Claim, 8 Drawing Sheets



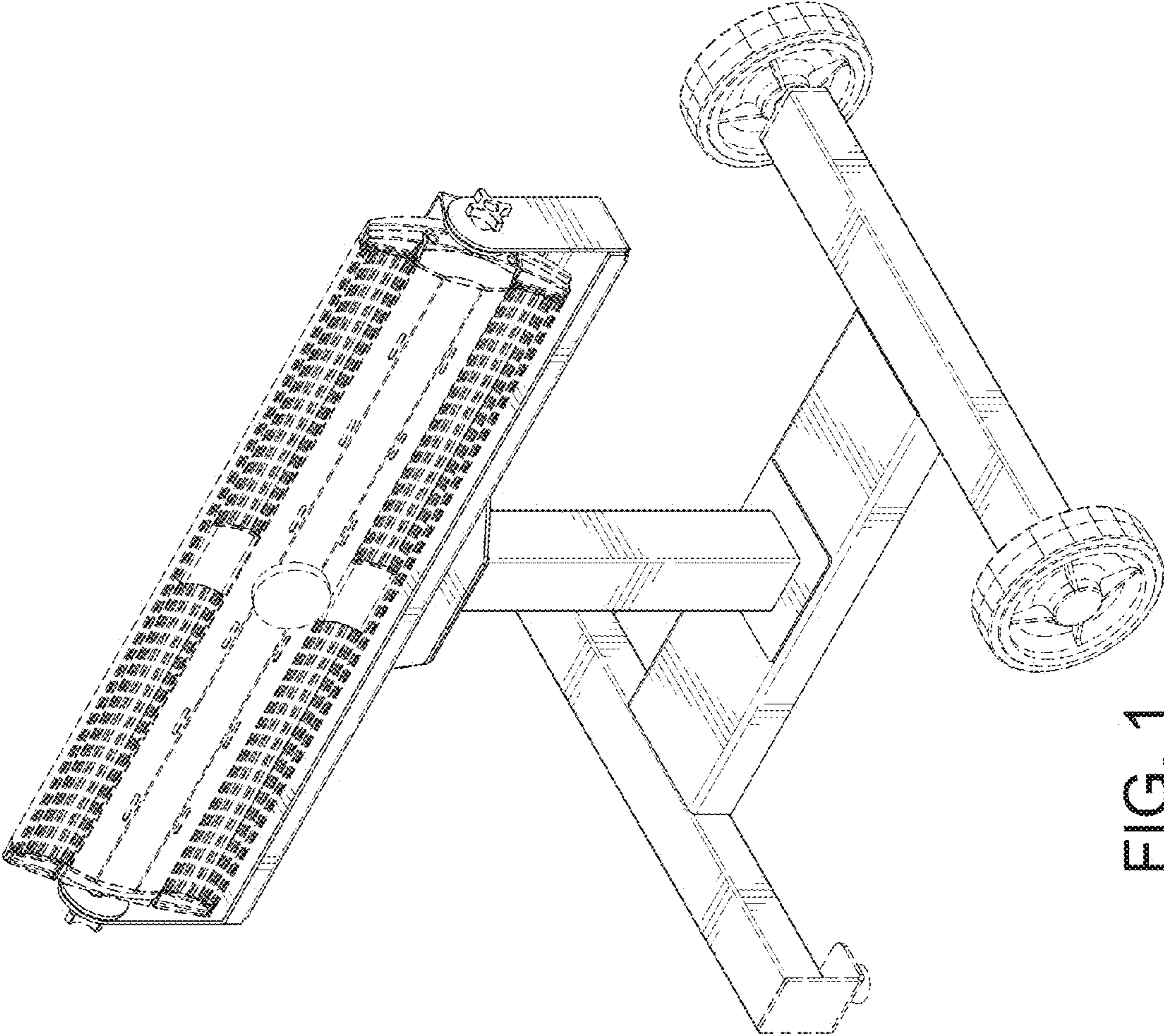


FIG. 1

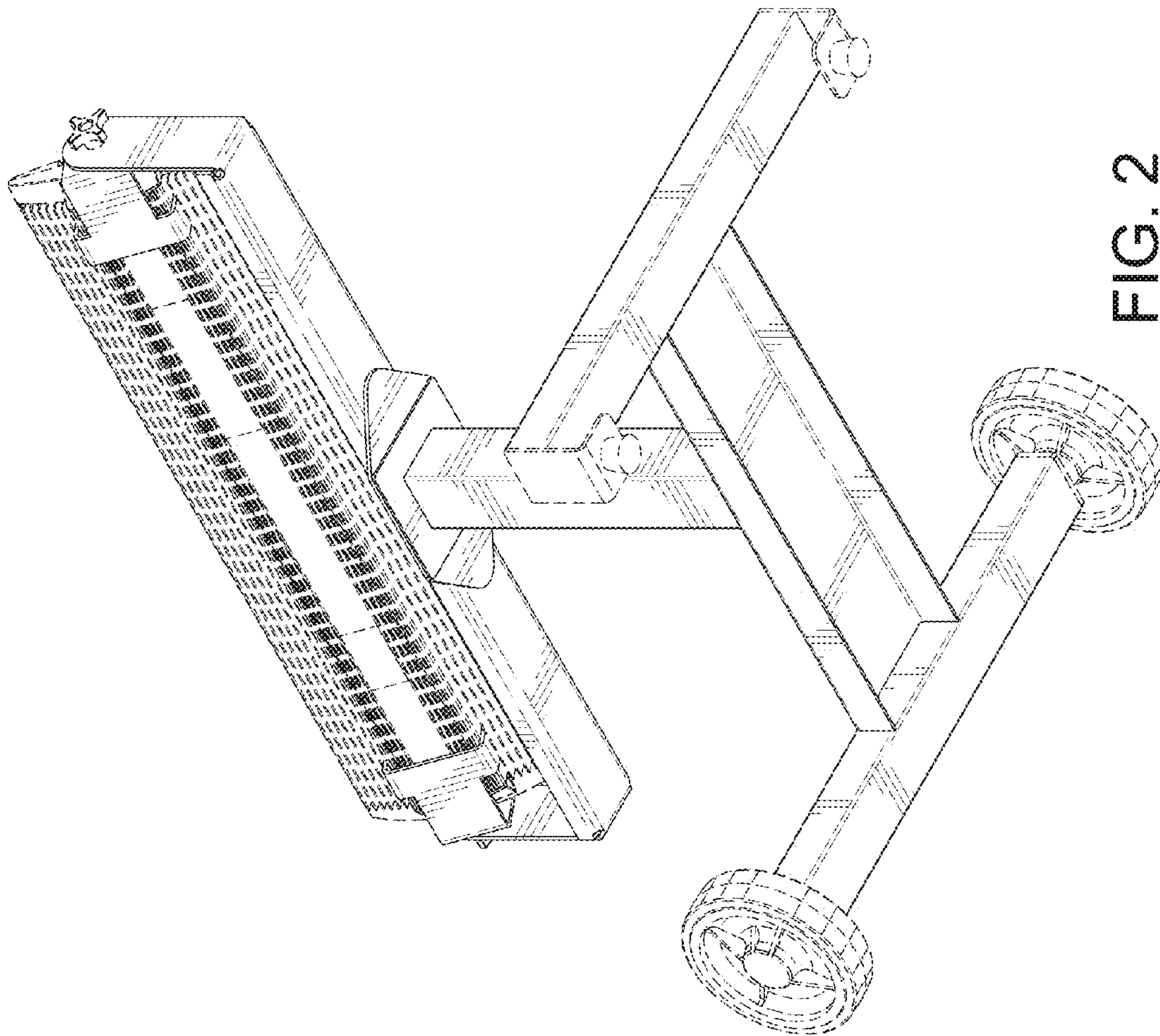


FIG. 2

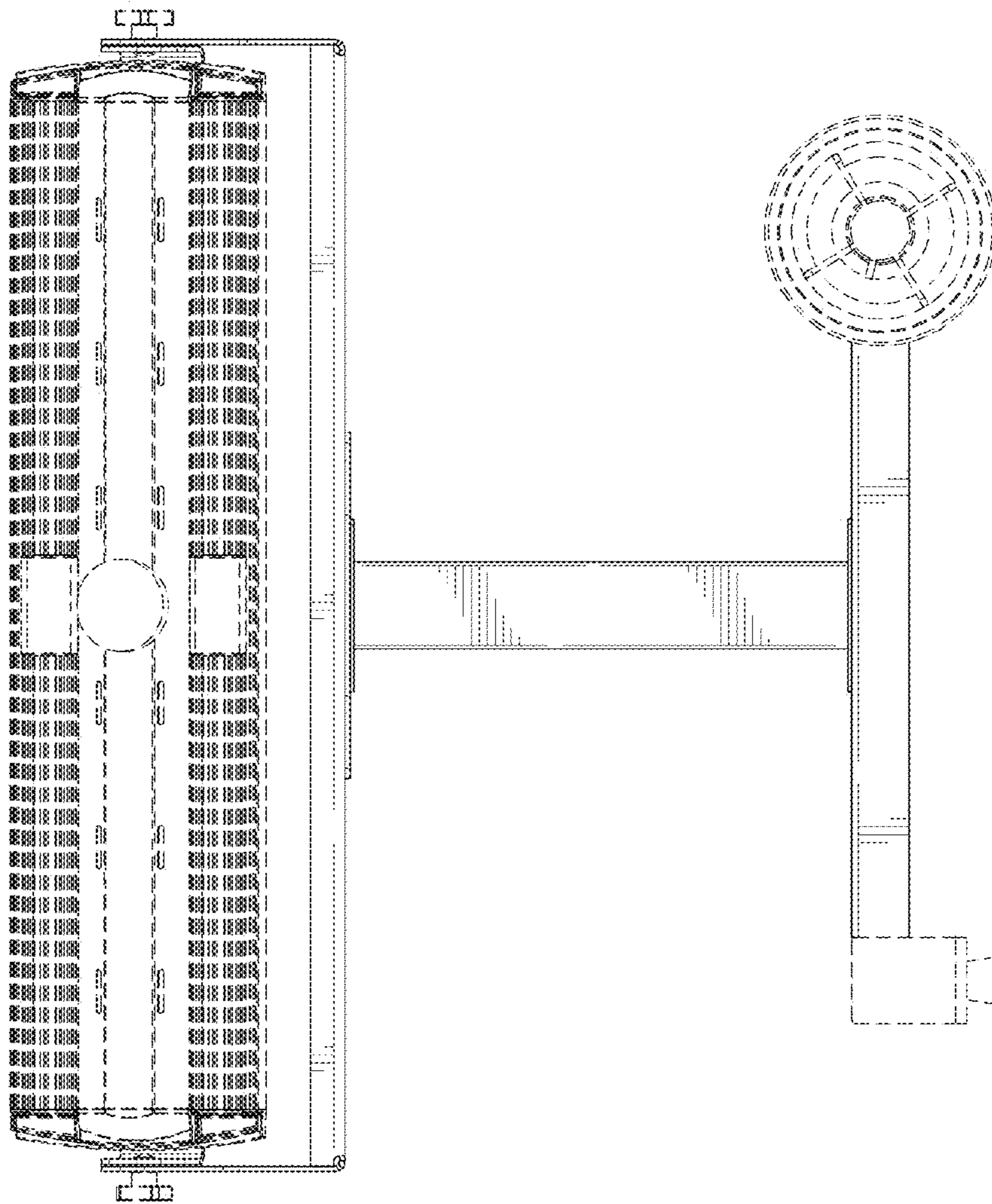


FIG. 3

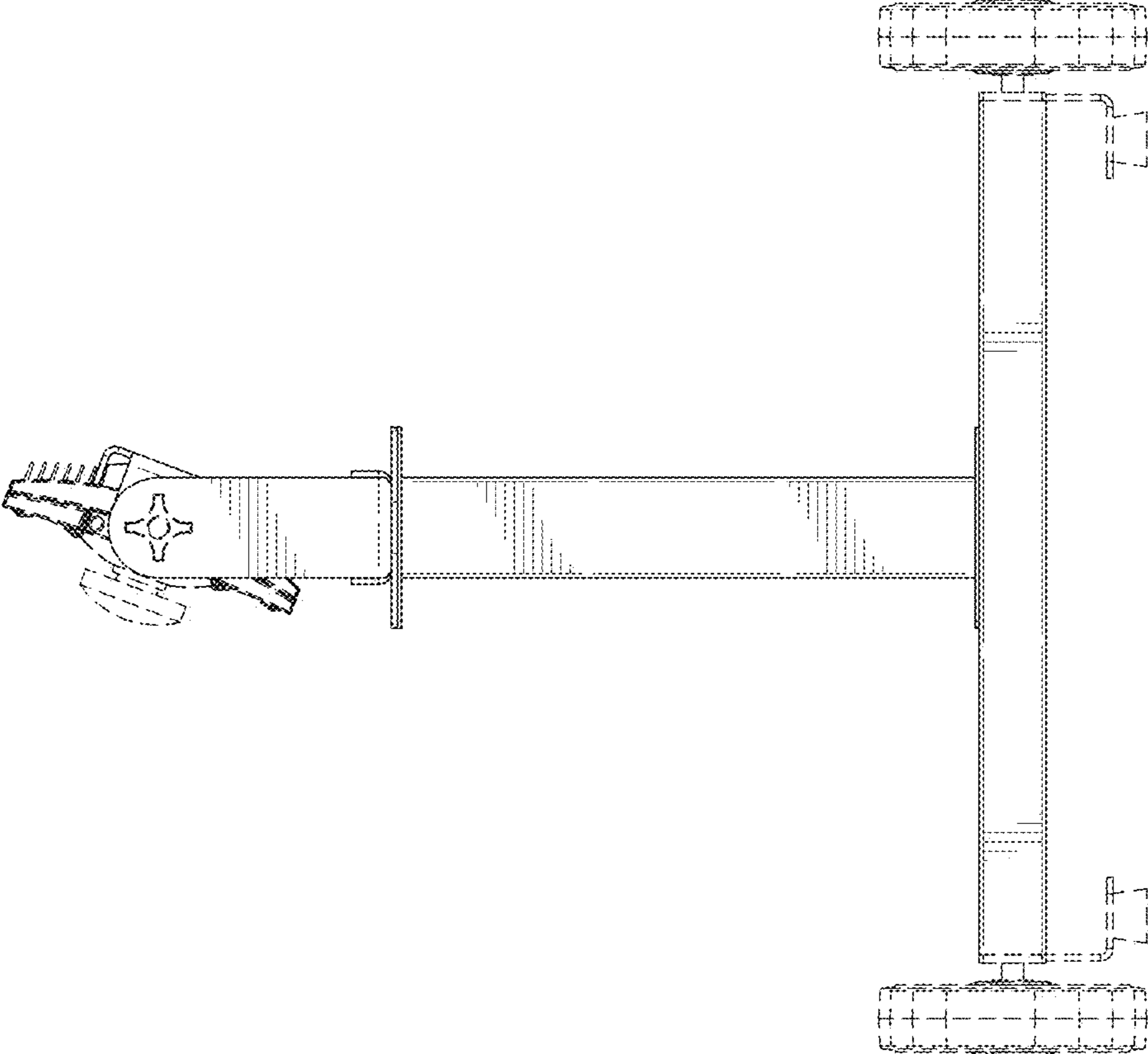


FIG. 4

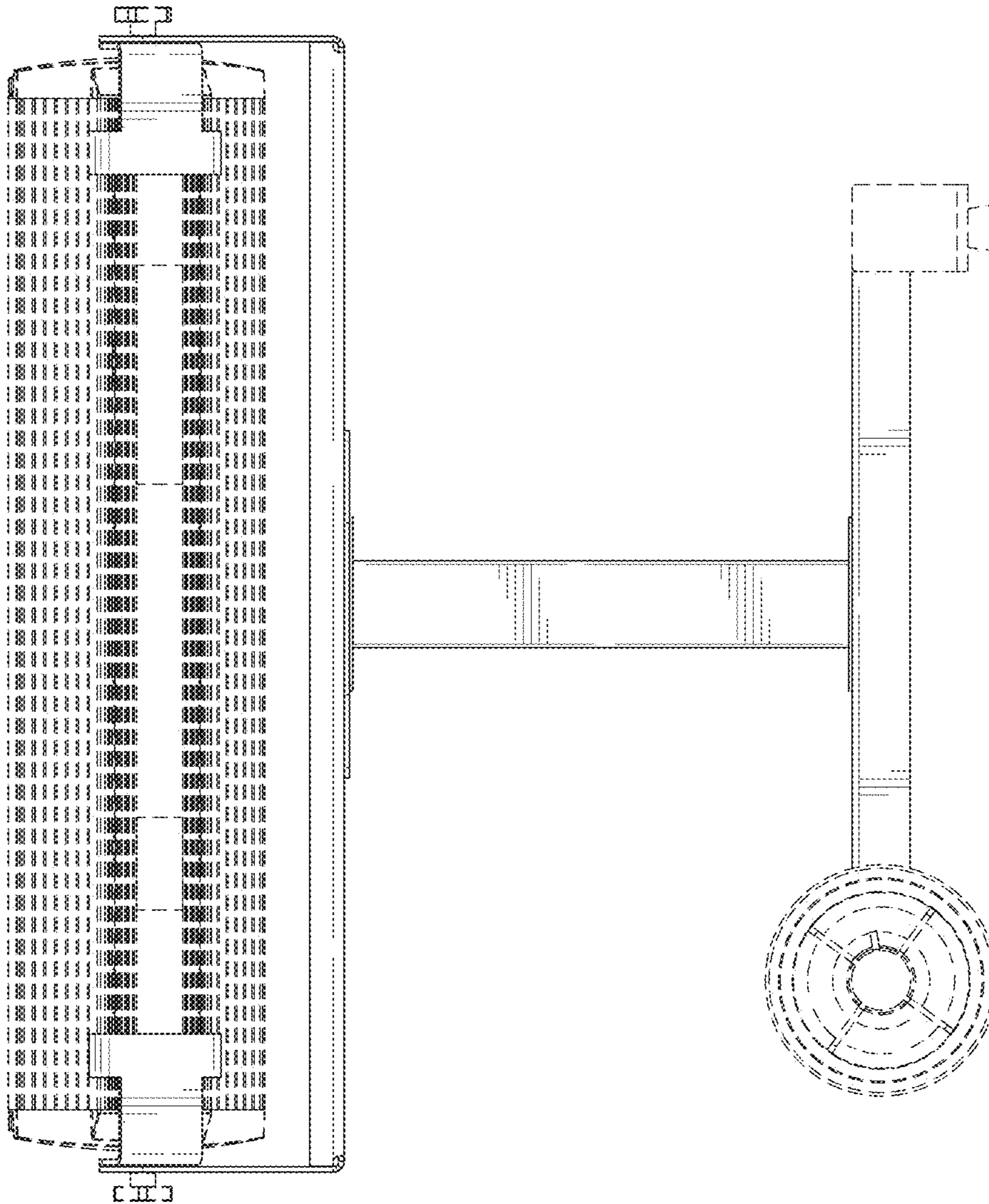


FIG. 5

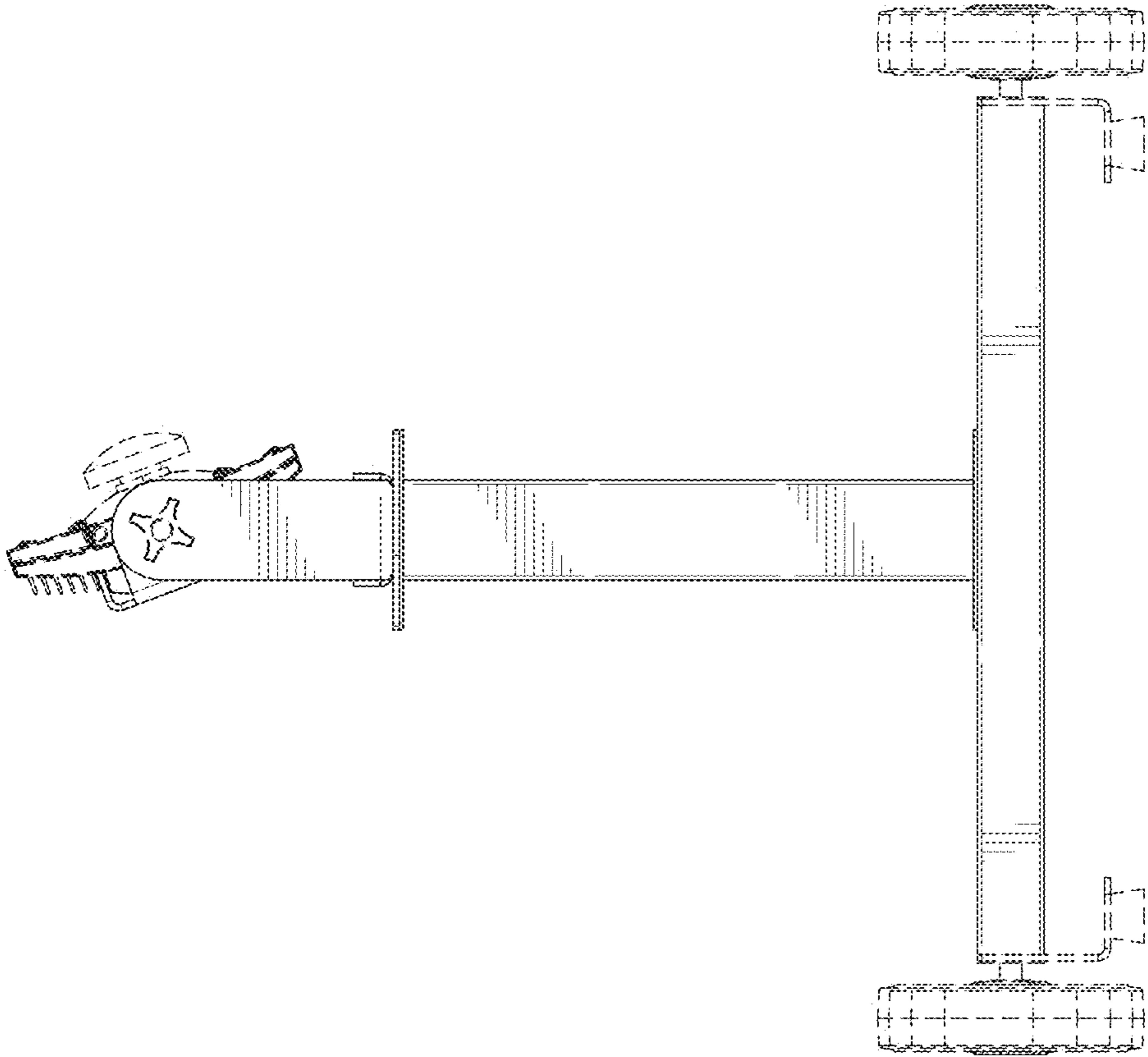


FIG. 6

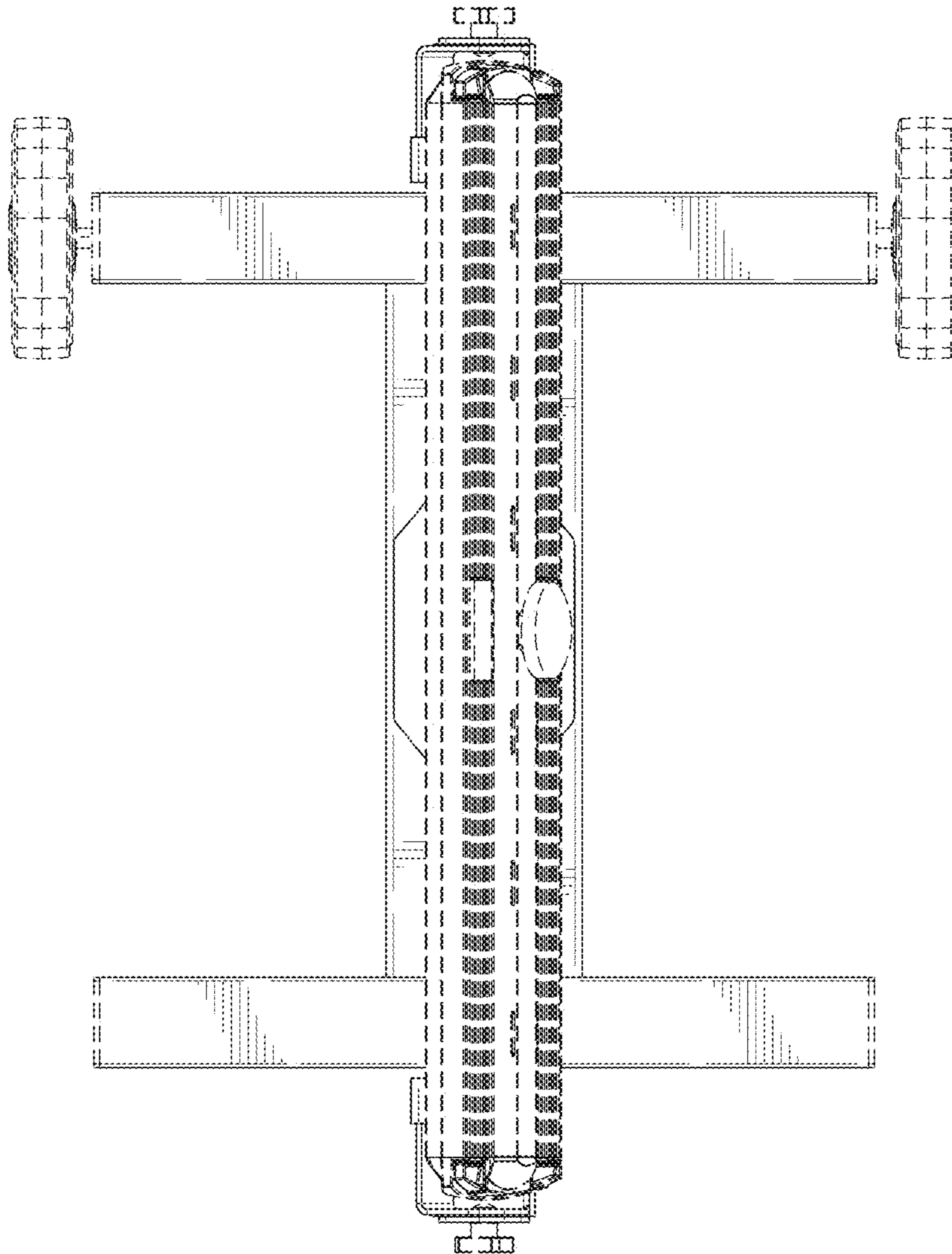


FIG. 7

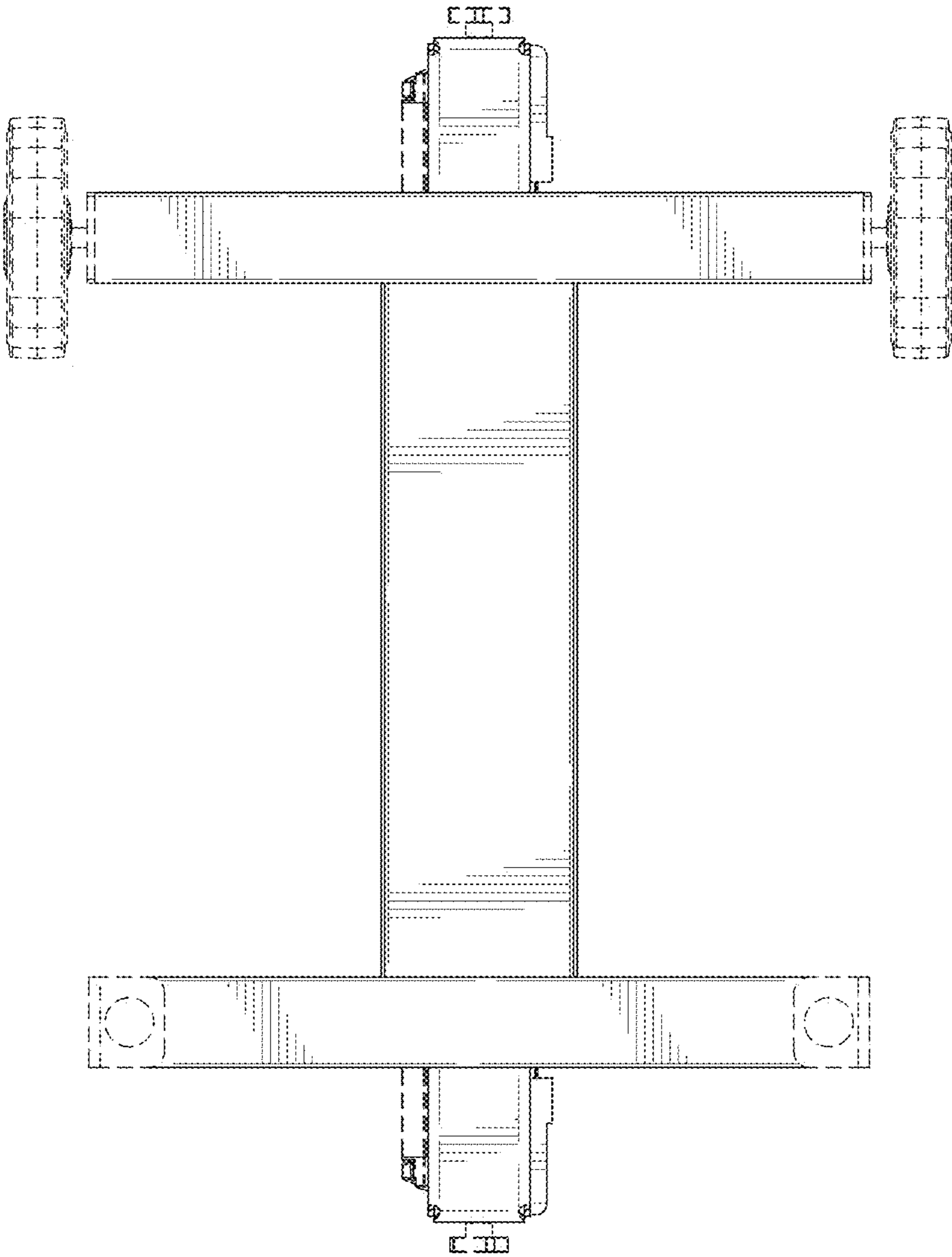


FIG. 8