



US00D761469S

(12) **United States Design Patent**
McKechnie et al.

(10) **Patent No.:** **US D761,469 S**
(45) **Date of Patent:** **** Jul. 12, 2016**

(54) **LIGHTING ACCESSORY FOR A PORTABLE ELECTRONIC DEVICE**

(71) Applicant: **Knog Pty Ltd**, Richmond, Victoria (AU)

(72) Inventors: **Malcolm McKechnie**, Richmond (AU);
Hugo Davidson, Elsternwick (AU);
Jonathan Chan, London (GB); **Chris Bilanenko**, Clifton Hill (AU); **Kynan Taylor**, Nunawading (AU)

(73) Assignee: **Knog Pty Ltd**, Melbourne (AU)

(**) Term: **14 Years**

(21) Appl. No.: **29/496,140**

(22) Filed: **Jul. 9, 2014**

(30) **Foreign Application Priority Data**

Jan. 10, 2014 (AU) 101412014

(51) **LOC (10) Cl.** **26-03**

(52) **U.S. Cl.**
USPC **D26/51**

(58) **Field of Classification Search**
USPC D26/24, 46, 51, 60, 63
CPC B62J 6/001; B62J 6/02; B62J 6/003;
F21S 4/00; F21V 21/00

See application file for complete search history.

(56) **References Cited**

U.S. PATENT DOCUMENTS

D631,179 S *	1/2011	Kim	D26/63
D659,867 S *	5/2012	Zhan	D26/37
D677,708 S *	3/2013	Zhan	D26/37
D699,876 S *	2/2014	Kingston	D26/46
D735,922 S *	8/2015	Yamauchi	D26/51

* cited by examiner

Primary Examiner — Brian N Vinson

(74) *Attorney, Agent, or Firm* — Christensen O'Connor Johnson Kindness PLLC

(57) **CLAIM**

The ornamental design for a lighting accessory for a portable electronic device, as shown and described.

DESCRIPTION

FIG. 1 is a front perspective view of a lighting accessory for a portable electronic device showing our new design;

FIG. 2 is a rear perspective view thereof;

FIG. 3 is a front view thereof;

FIG. 4 is a rear view thereof;

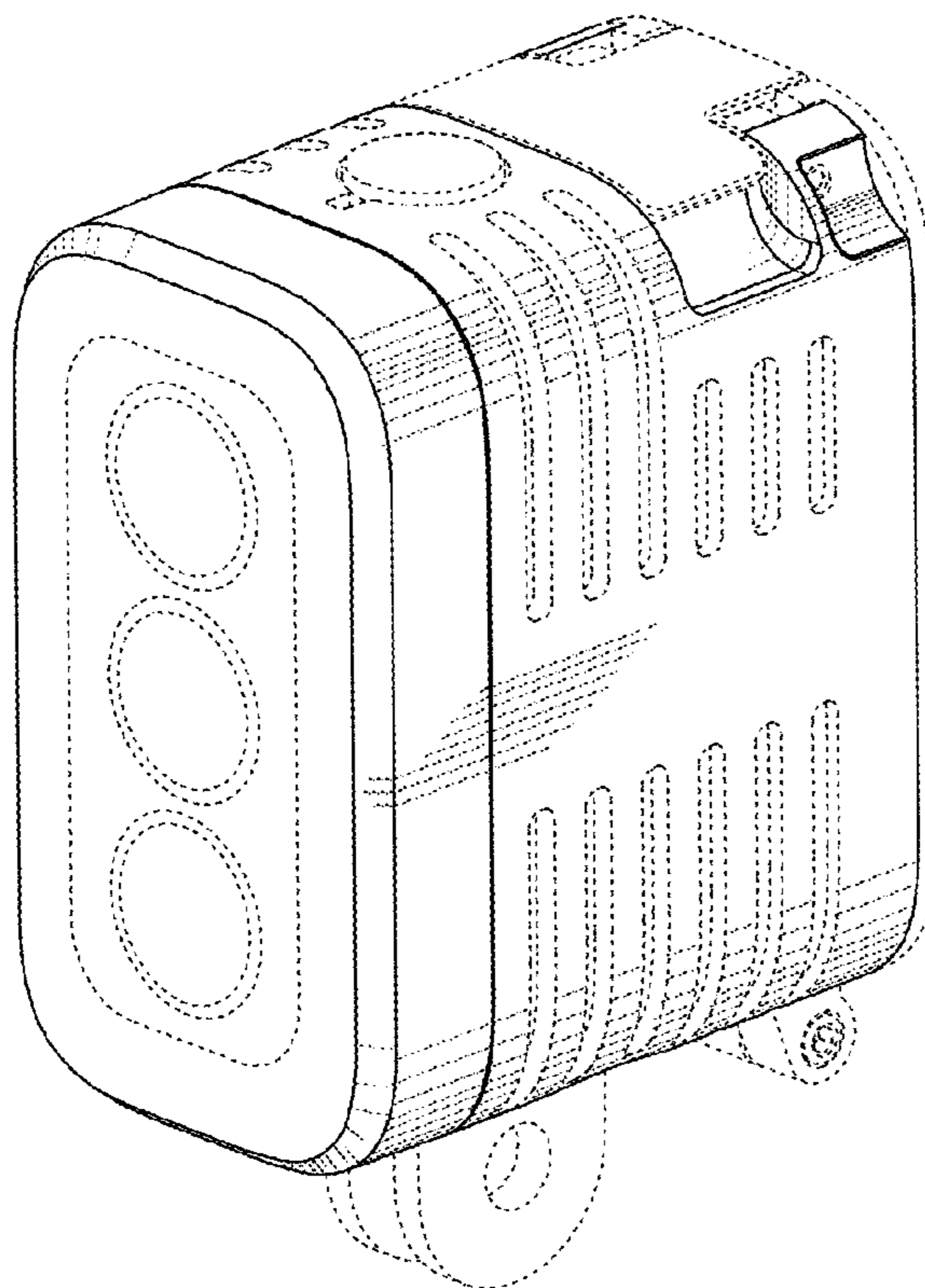
FIG. 5 is a top view thereof;

FIG. 6 is a bottom view thereof; and,

FIG. 7 is a left side view thereof.

The broken lines illustrate portions of the lighting accessory for a portable electronic device and form no part of the claimed design.

1 Claim, 7 Drawing Sheets



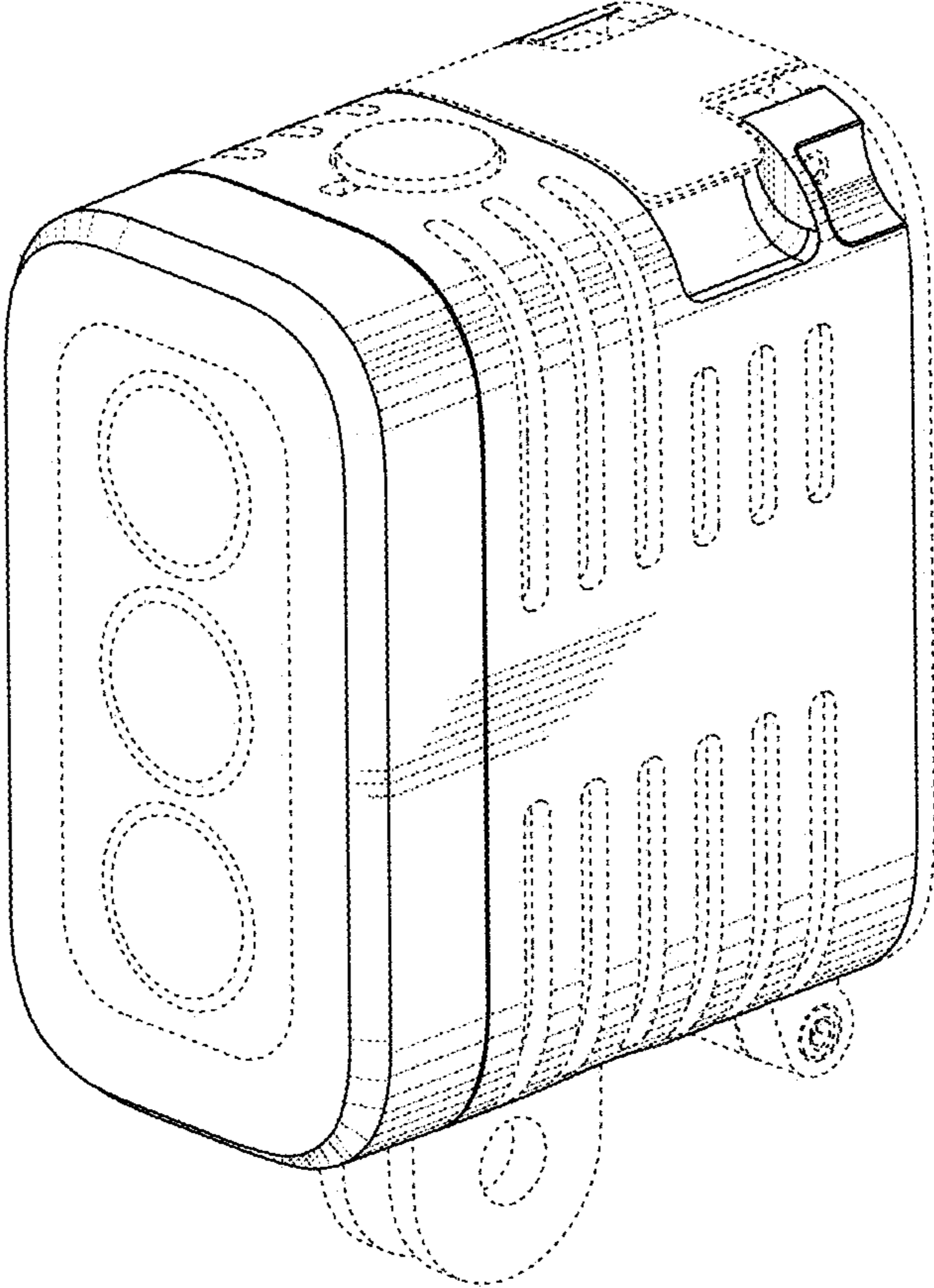


Figure 1

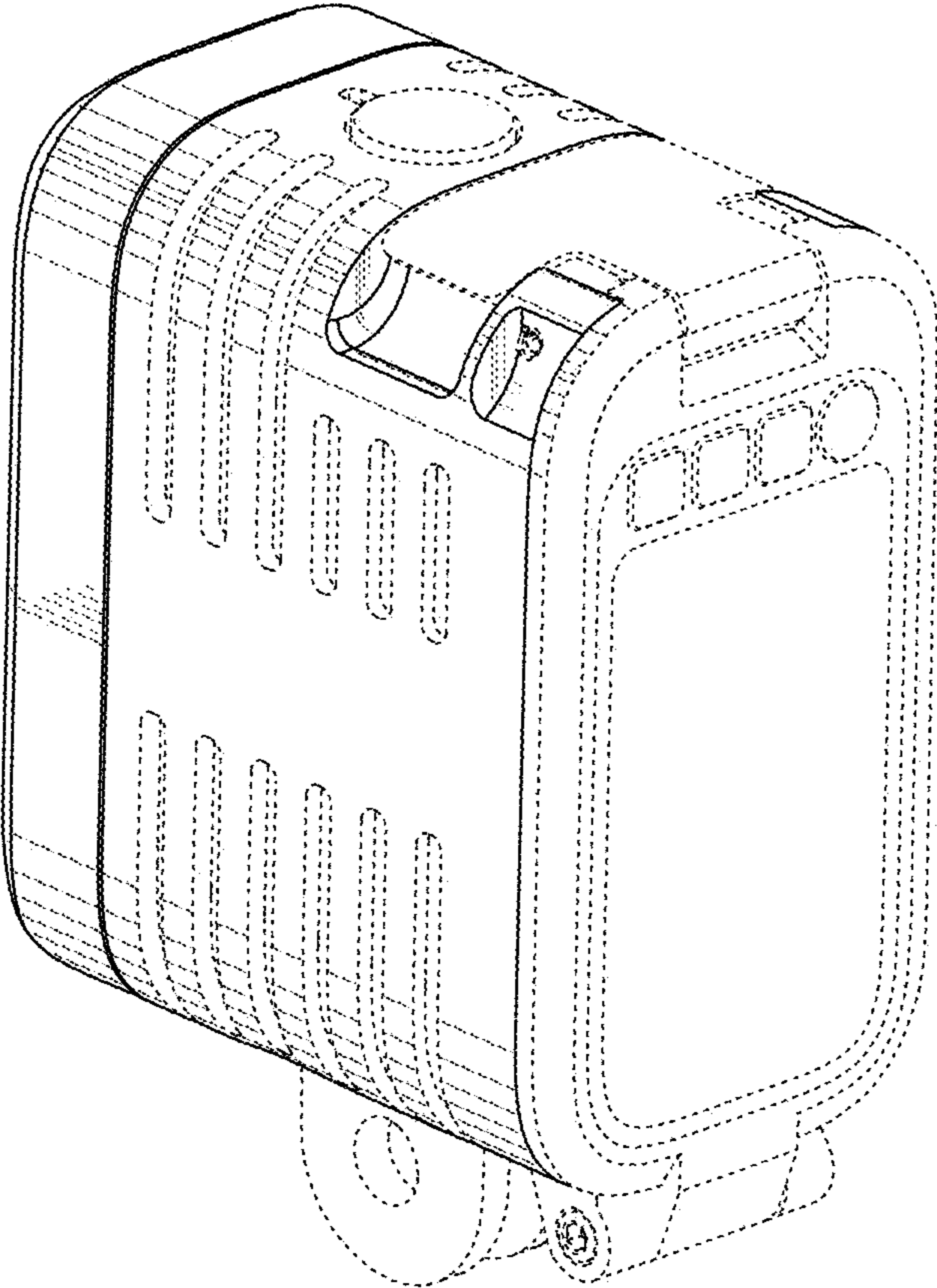


Figure 2

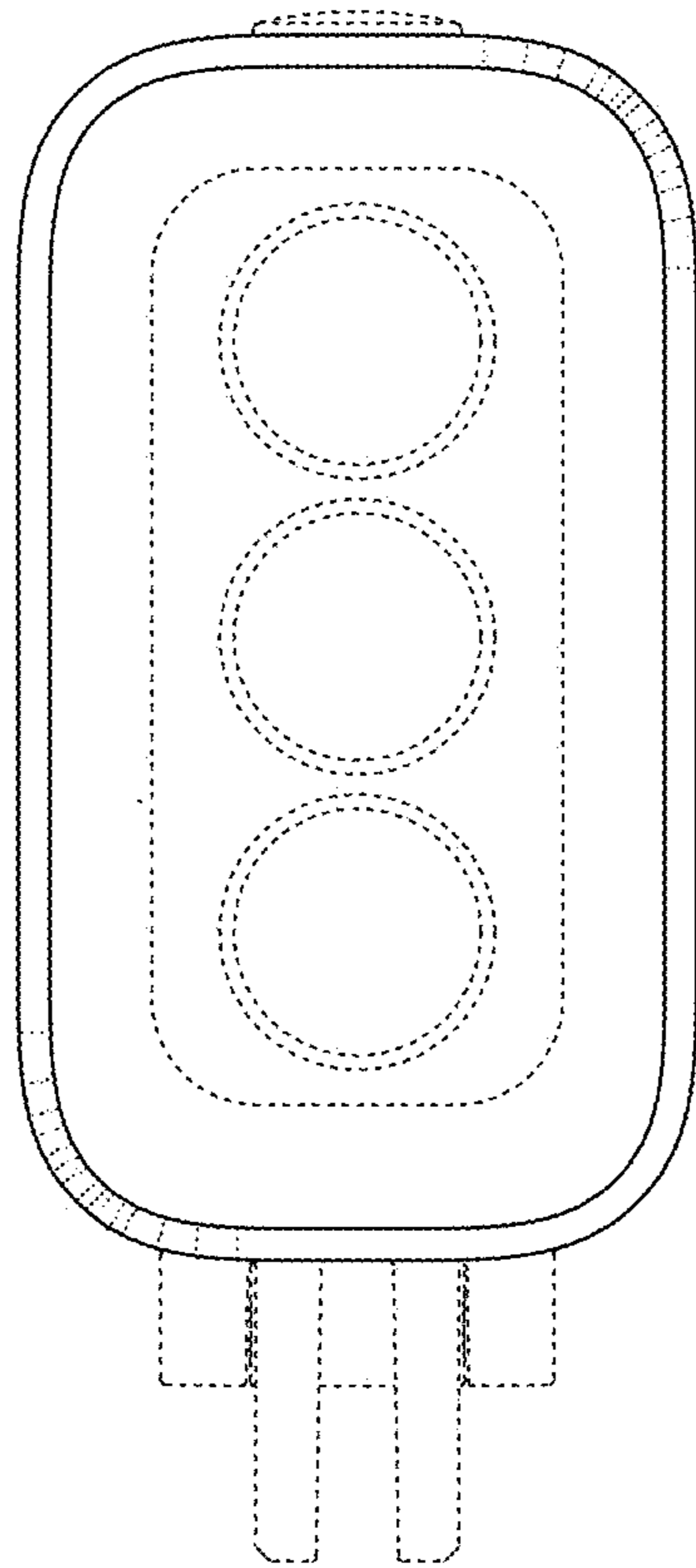


Figure 3

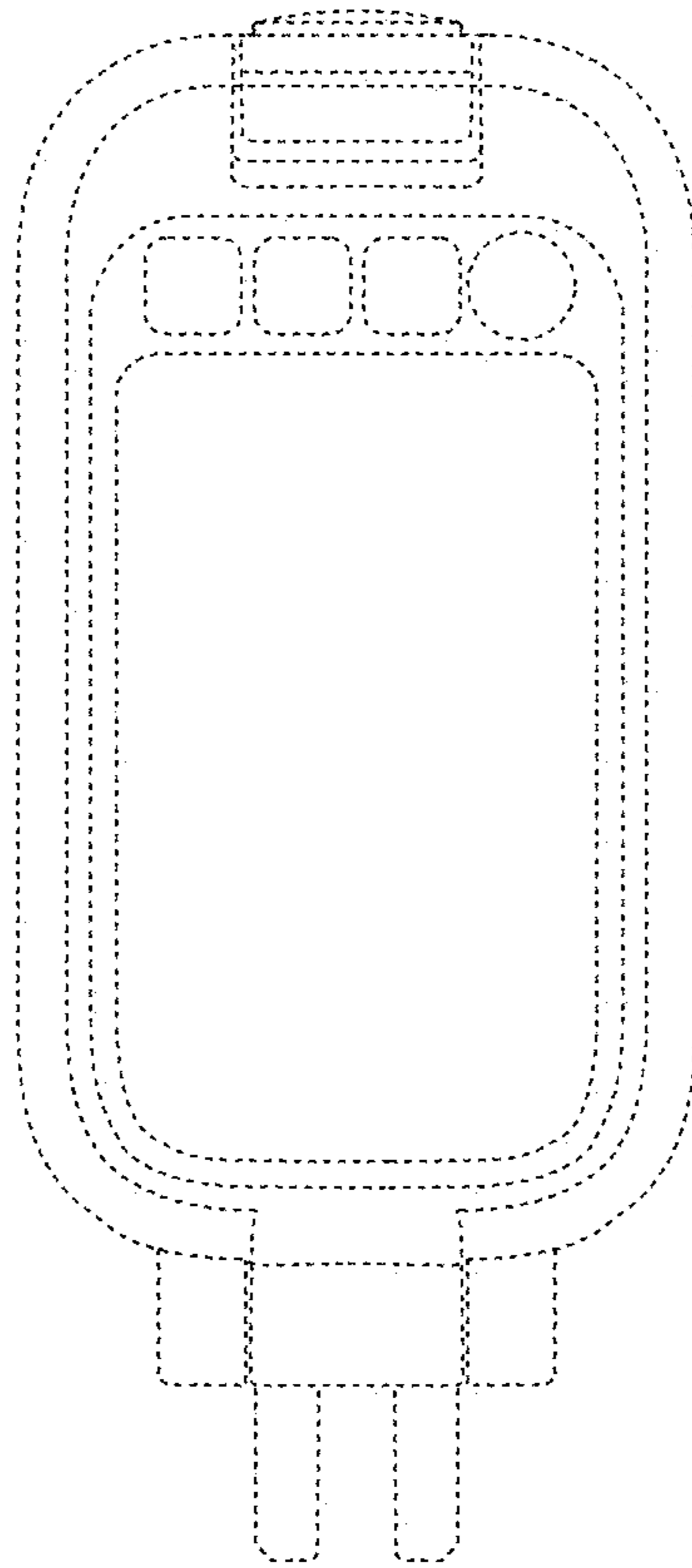


Figure 4

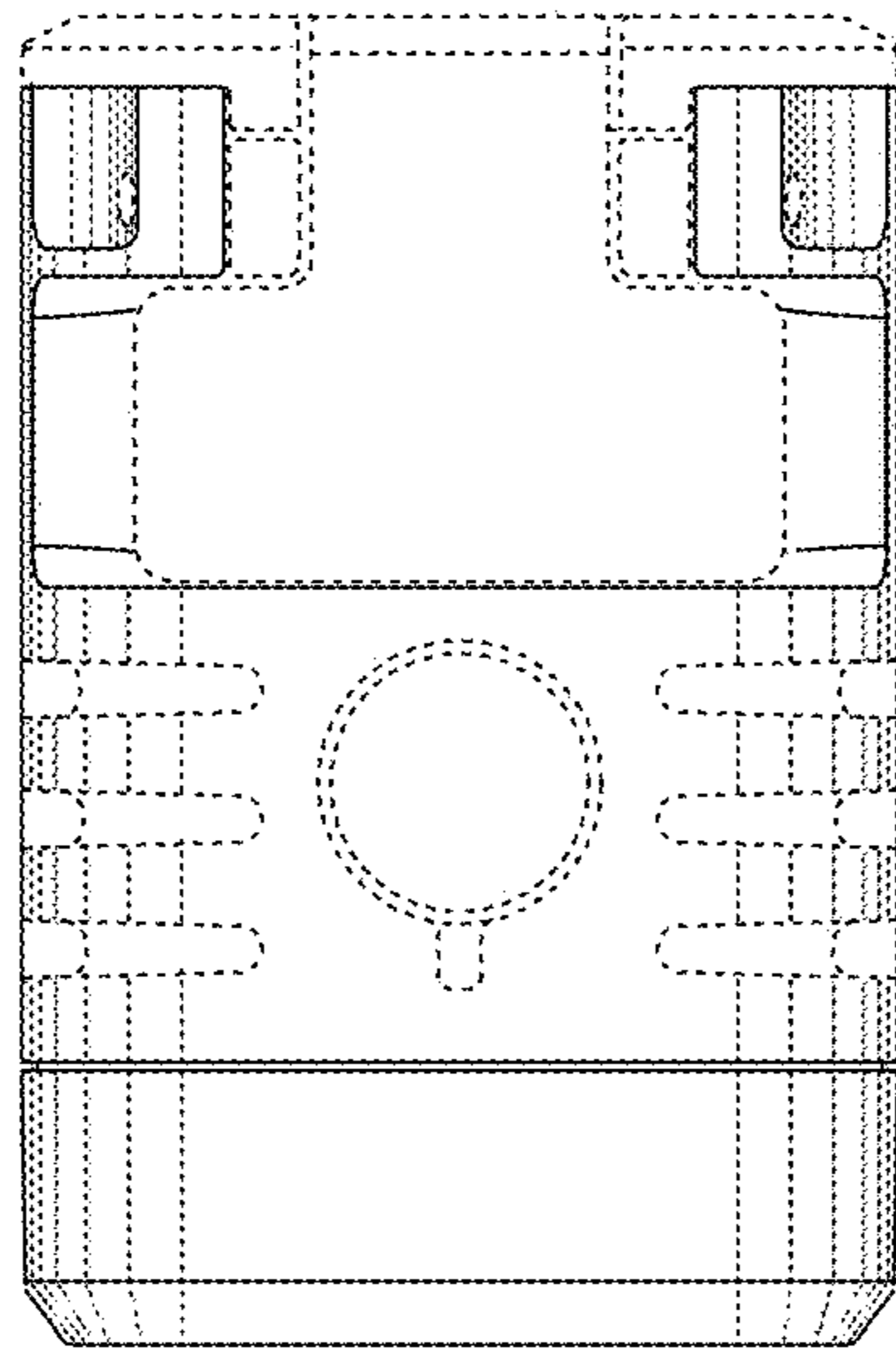


Figure 5

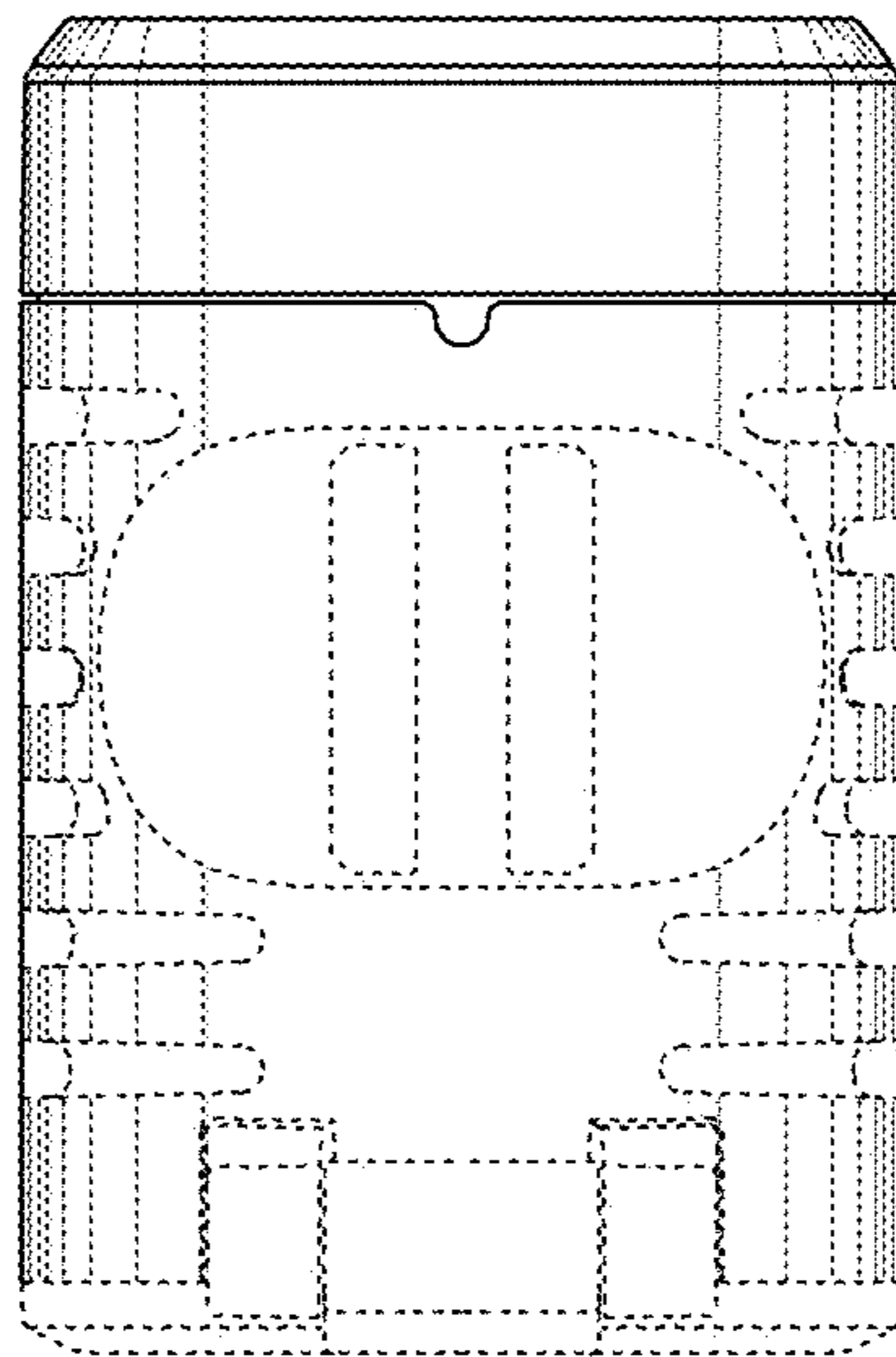


Figure 6

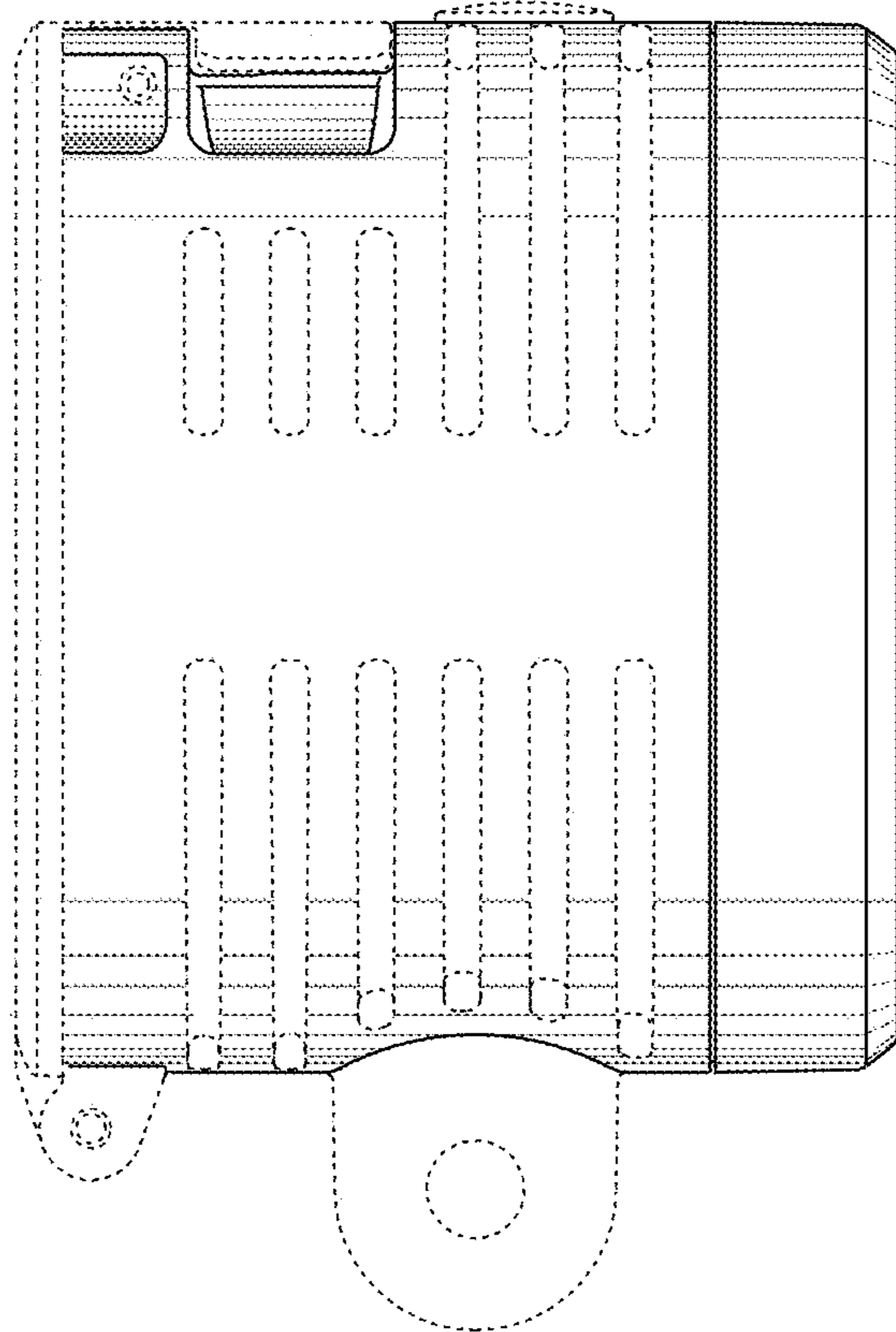


Figure 7