



US00D761466S

(12) **United States Design Patent**
Kwon et al.

(10) **Patent No.:** **US D761,466 S**
(45) **Date of Patent:** **** Jul. 12, 2016**

(54) **FRONT FOG AND DAYTIME RUNNING
LAMP FOR A VEHICLE**

(71) Applicant: **Hyundai Motor Company**, Seoul (KR)

(72) Inventors: **Oh Young Kwon**, Gyeonggi-Do (KR);
Gwon Hak Lee, Gyeonggi-Do (KR);
Hee Joon An, Incheon (KR); **Hae Ryun
Sohn**, Gyeonggi-Do (KR); **Yu Ra Cha**,
Seoul (KR); **Myung Jin Jung**, Seoul
(KR)

(73) Assignee: **Hyundai Motor Company**, Seoul (KR)

(**) Term: **14 Years**

(21) Appl. No.: **29/524,070**

(22) Filed: **Apr. 16, 2015**

(51) **LOC (10) Cl.** **26-06**

(52) **U.S. Cl.**
USPC **D26/28**

(58) **Field of Classification Search**
USPC D26/28-36; 362/61, 80-83, 267-269
CPC F21S 48/00; F21S 48/10; F21S 48/115;
F21S 48/225; F21V 21/04

See application file for complete search history.

(56) **References Cited**

U.S. PATENT DOCUMENTS

D445,924 S *	7/2001	Oh	D26/28
D447,826 S *	9/2001	Kang	D26/28
D451,218 S *	11/2001	Bernier	D26/28
D500,153 S *	12/2004	Stephens	D26/28
D630,354 S *	1/2011	Stephens	D26/28

* cited by examiner

Primary Examiner — Marcus Jackson

(74) *Attorney, Agent, or Firm* — Mintz Levin Cohn Ferris
Glovsky and Popeo, P.C.; Kongsik Kim

(57) **CLAIM**

The ornamental design for a front fog and daytime running
lamp for a vehicle, as shown and described.

DESCRIPTION

FIG. 1 is a perspective view of a front fog and daytime
running lamp for a vehicle according to the present invention.
FIG. 2 is a front view of the front fog and daytime running
lamp for a vehicle of FIG. 1.
FIG. 3 is a rear view of the front fog and daytime running lamp
for a vehicle of FIG. 1.
FIG. 4 is a left side view of the front fog and daytime running
lamp for a vehicle of FIG. 1.
FIG. 5 is a right side view of the front fog and daytime running
lamp for a vehicle of FIG. 1.
FIG. 6 is a top view of the front fog and daytime running lamp
for a vehicle of FIG. 1; and,
FIG. 7 is a bottom view of the front fog and daytime running
lamp for a vehicle of FIG. 1.

1 Claim, 7 Drawing Sheets

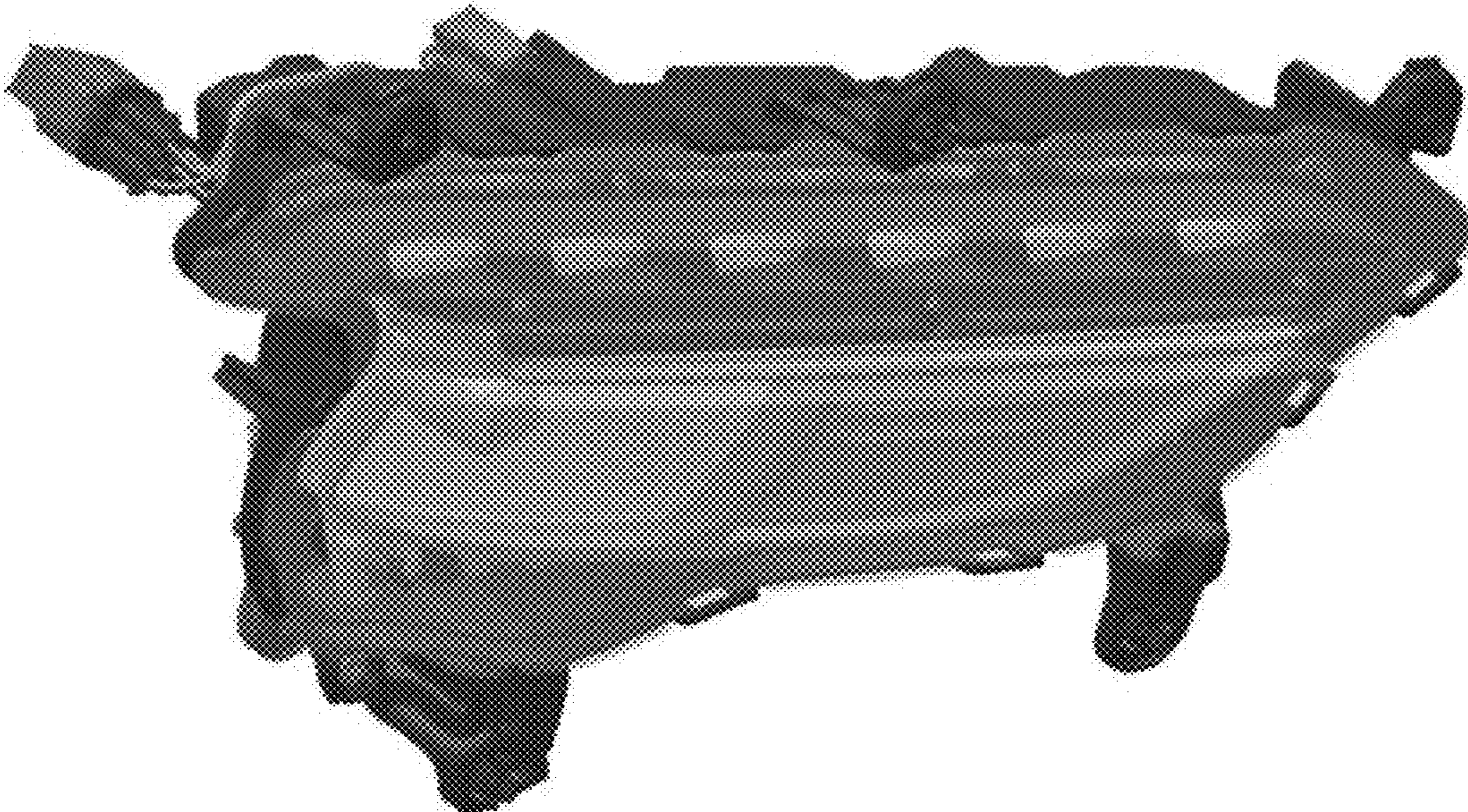


FIG. 1

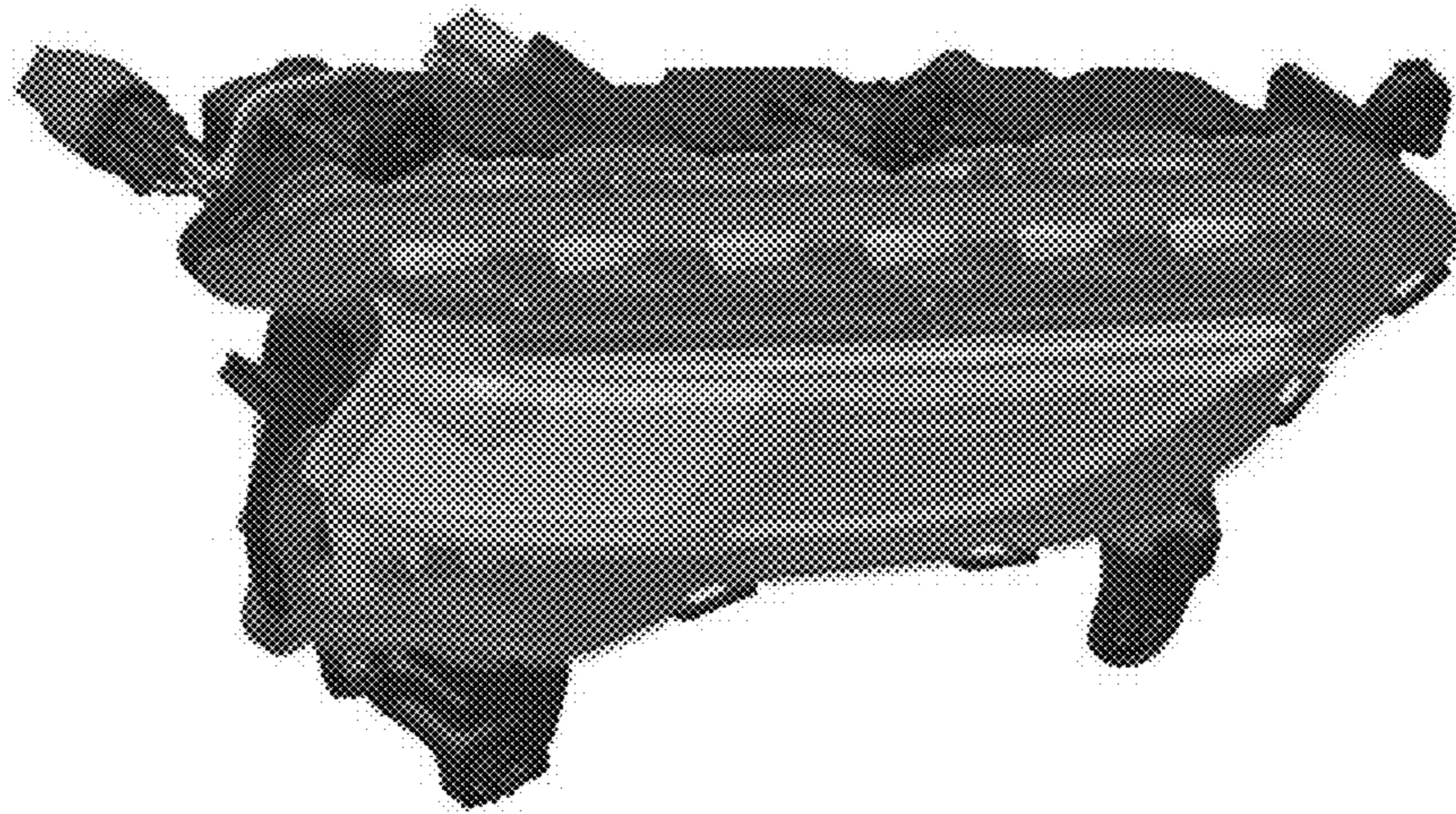


FIG. 2

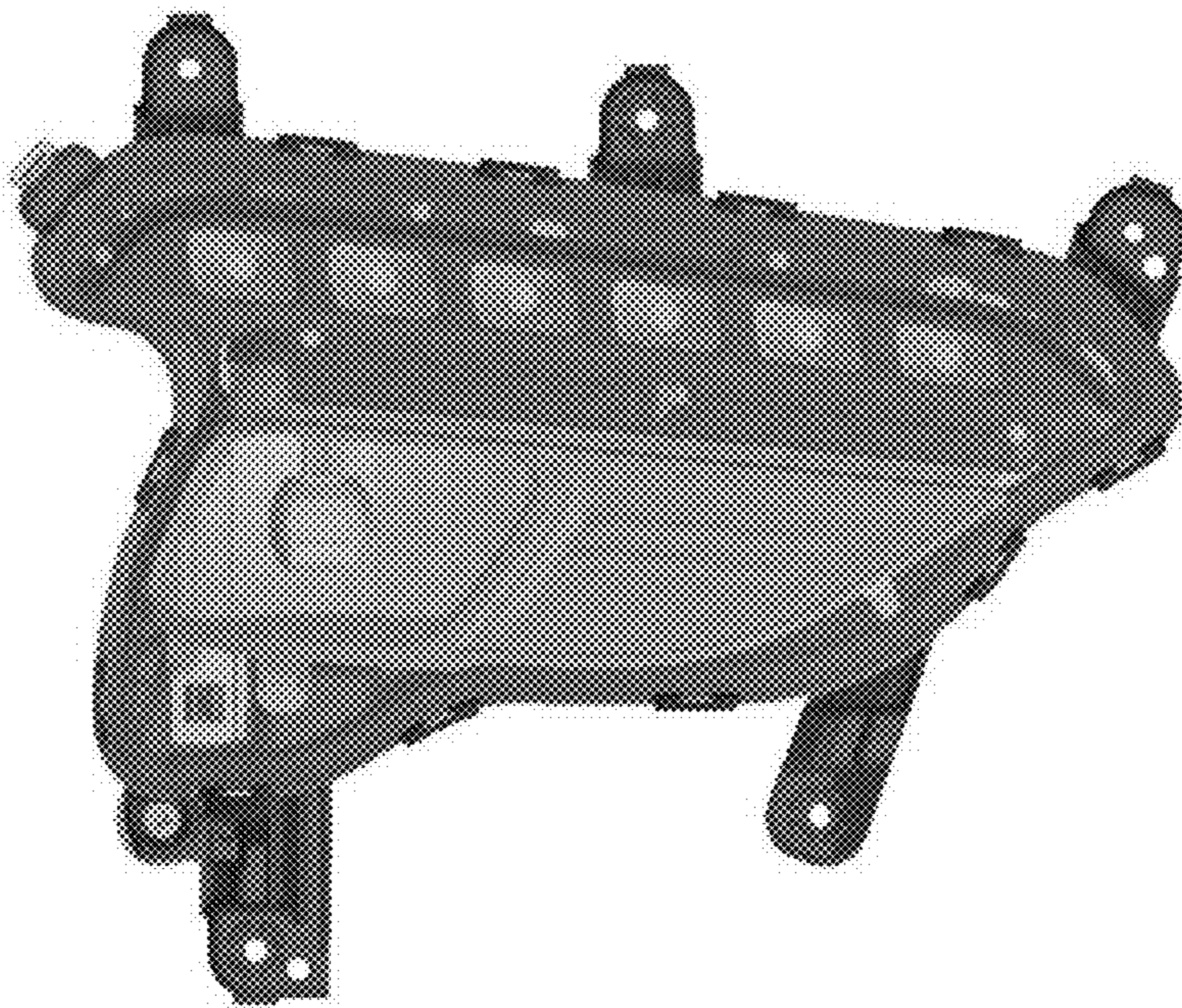


FIG. 3

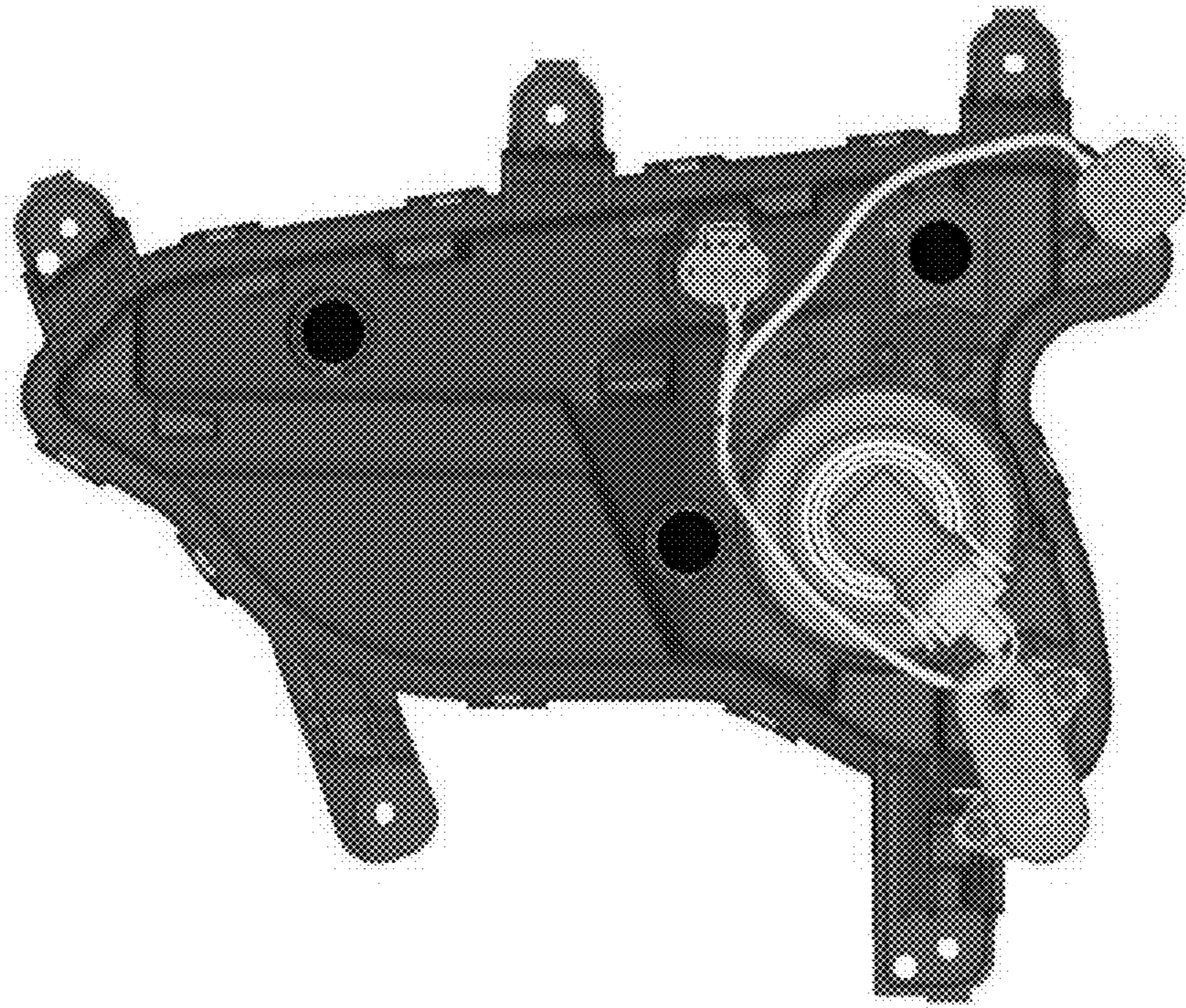


FIG. 4

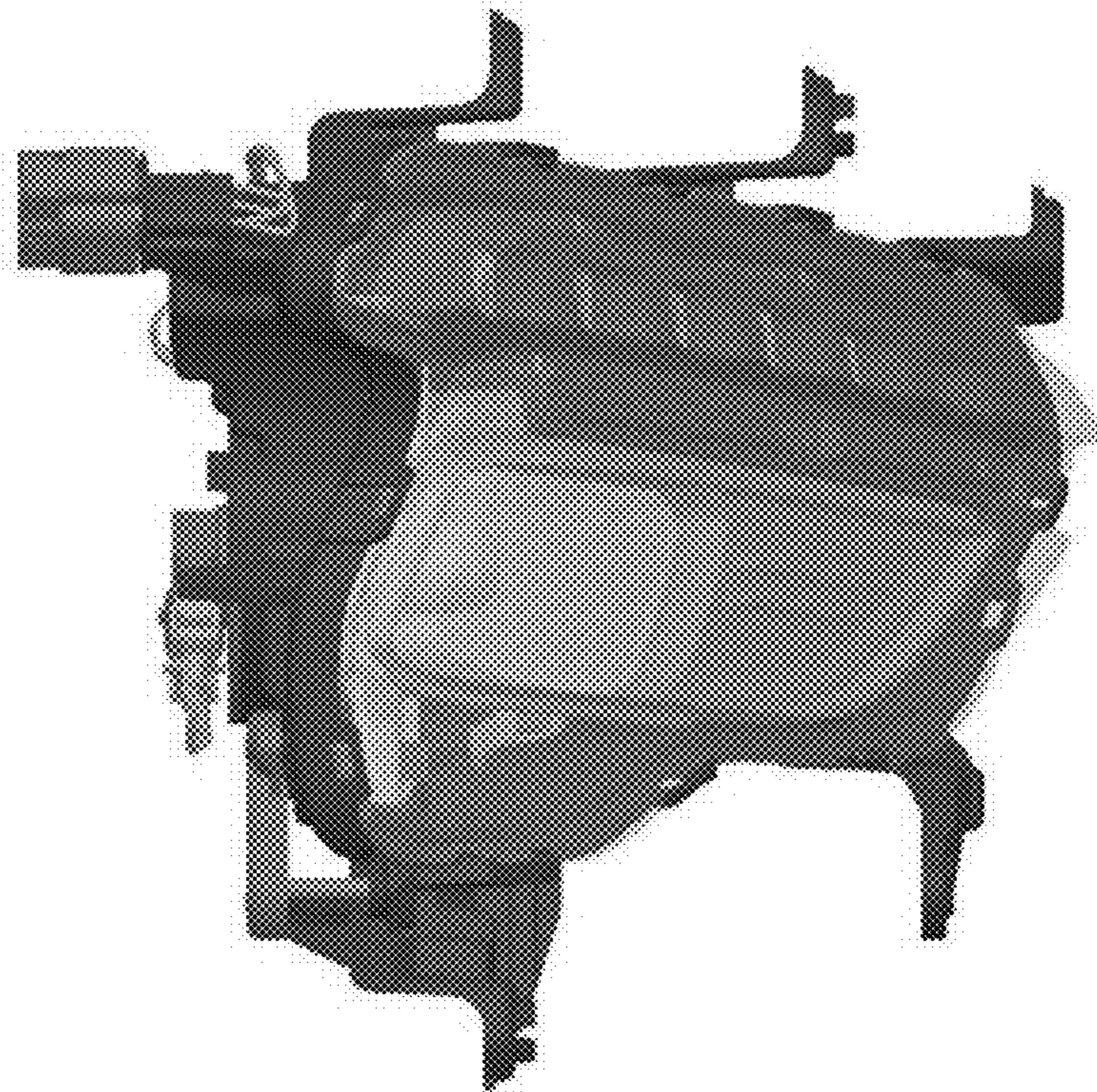


FIG. 5

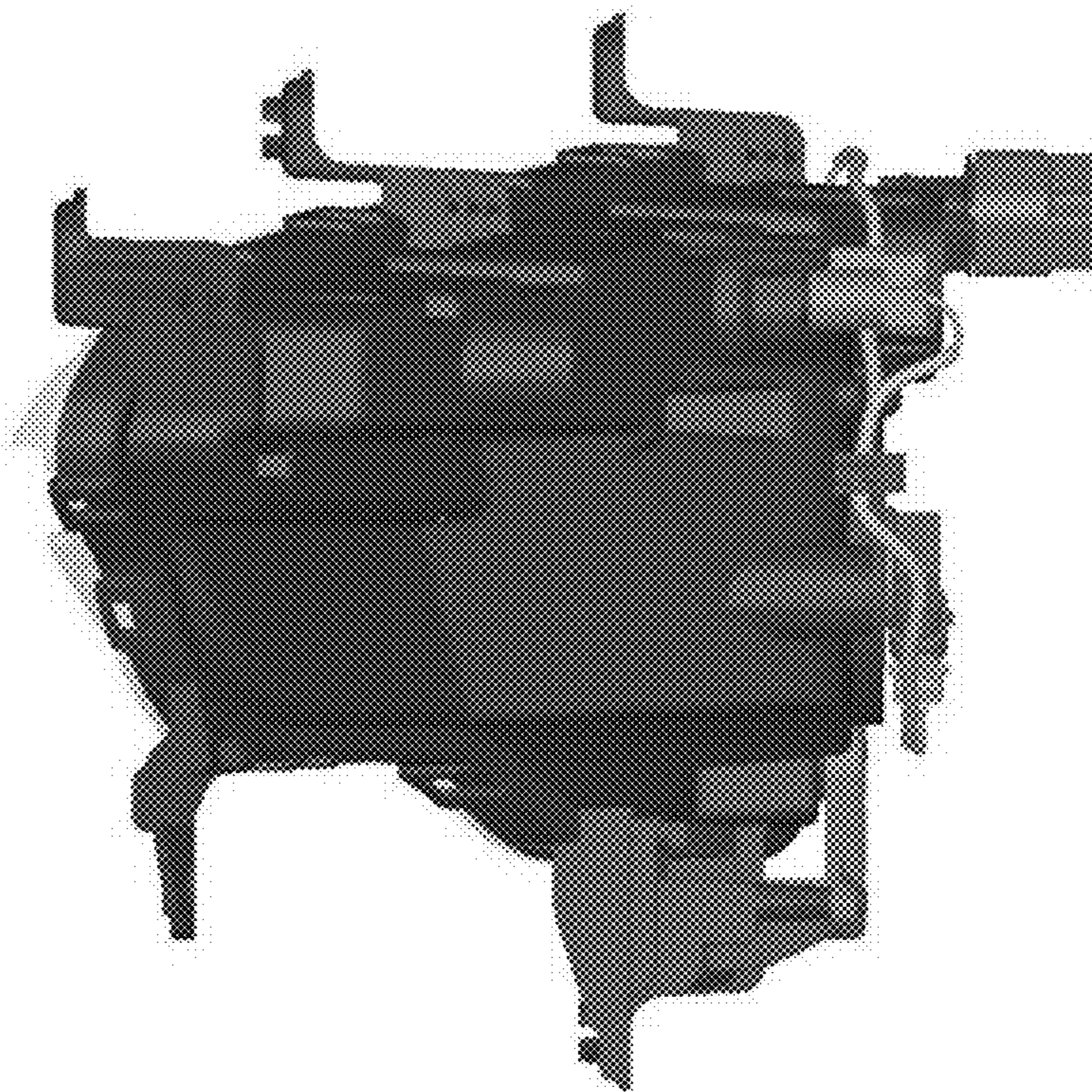


FIG. 6

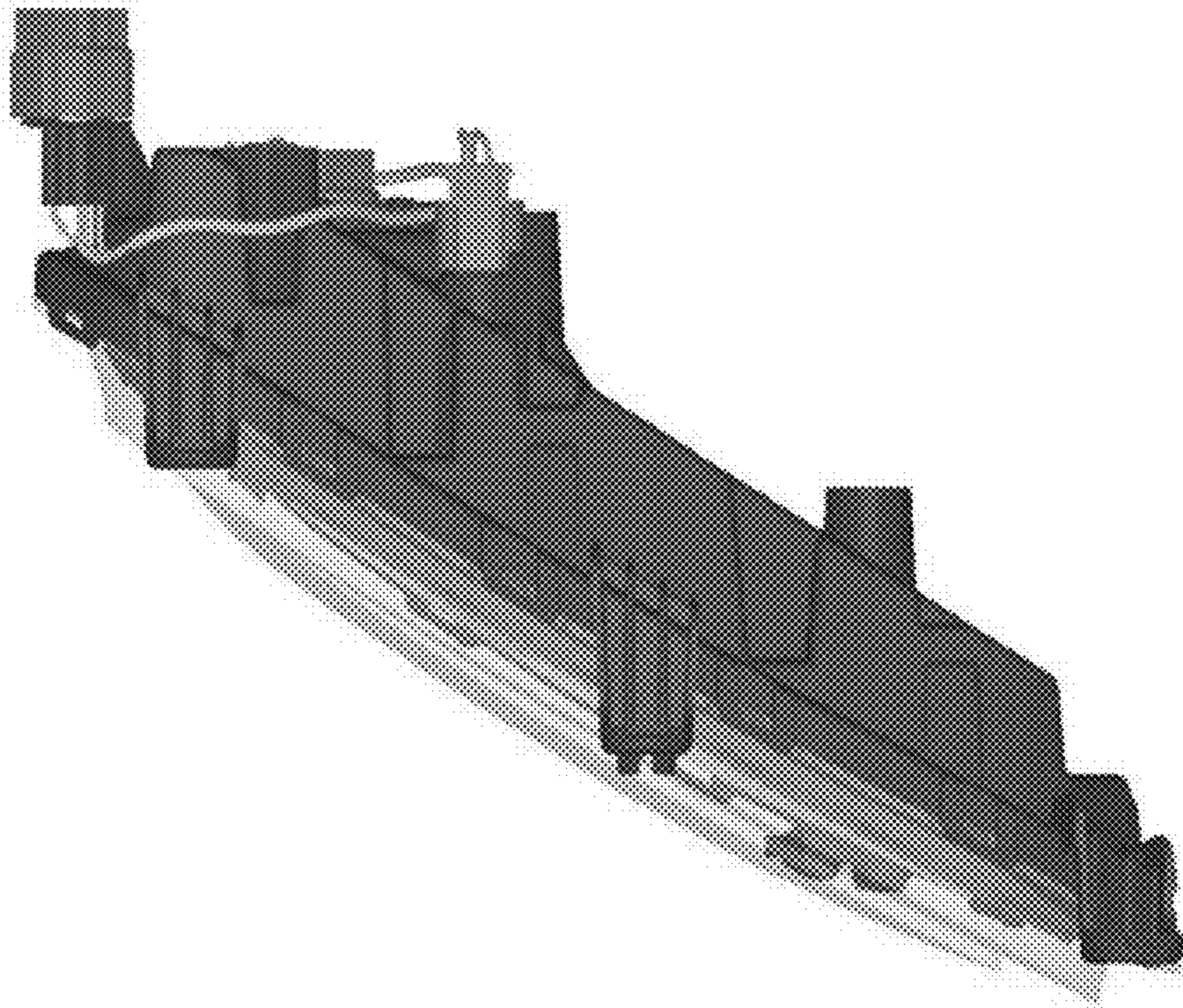


FIG. 7

