



US00D761463S

(12) **United States Design Patent**
Lai

(10) **Patent No.:** **US D761,463 S**
(45) **Date of Patent:** **** Jul. 12, 2016**

(54) **VEHICLE HEADLIGHT**

(71) Applicant: **Ching-Tsung Lai**, Tainan (TW)

(72) Inventor: **Ching-Tsung Lai**, Tainan (TW)

(**) Term: **14 Years**

(21) Appl. No.: **29/518,773**

(22) Filed: **Feb. 27, 2015**

(51) **LOC (10) Cl.** **26-06**

(52) **U.S. Cl.**
USPC **D26/28**

(58) **Field of Classification Search**
USPC D26/28-36; 362/61, 80-83, 267-269,
362/459-468, 475-478, 485-487
CPC B60Q 1/02; B60Q 1/04; F21S 48/00;
F21S 48/10; F21S 48/115; F21S 48/225;
F21S 48/1233; F21S 48/1266; F21S 48/1388;
F21S 48/2268; F21V 21/04

See application file for complete search history.

(56) **References Cited**

U.S. PATENT DOCUMENTS

| | | | | | | |
|----------|---|---|---------|-----------|-------|--------|
| D474,290 | S | * | 5/2003 | Sawai | | D26/28 |
| D549,858 | S | * | 8/2007 | Pfeiffer | | D26/28 |
| D552,772 | S | * | 10/2007 | Davidson | | D26/28 |
| D586,010 | S | * | 2/2009 | Saracoglu | | D26/28 |
| D592,332 | S | * | 5/2009 | Hsu | | D26/28 |
| D592,336 | S | * | 5/2009 | Hsu | | D26/28 |

* cited by examiner

Primary Examiner — Marcus Jackson

(74) *Attorney, Agent, or Firm* — Alexander Chen, Esq.

(57) **CLAIM**

An ornamental design for a vehicle headlight, as shown and described.

DESCRIPTION

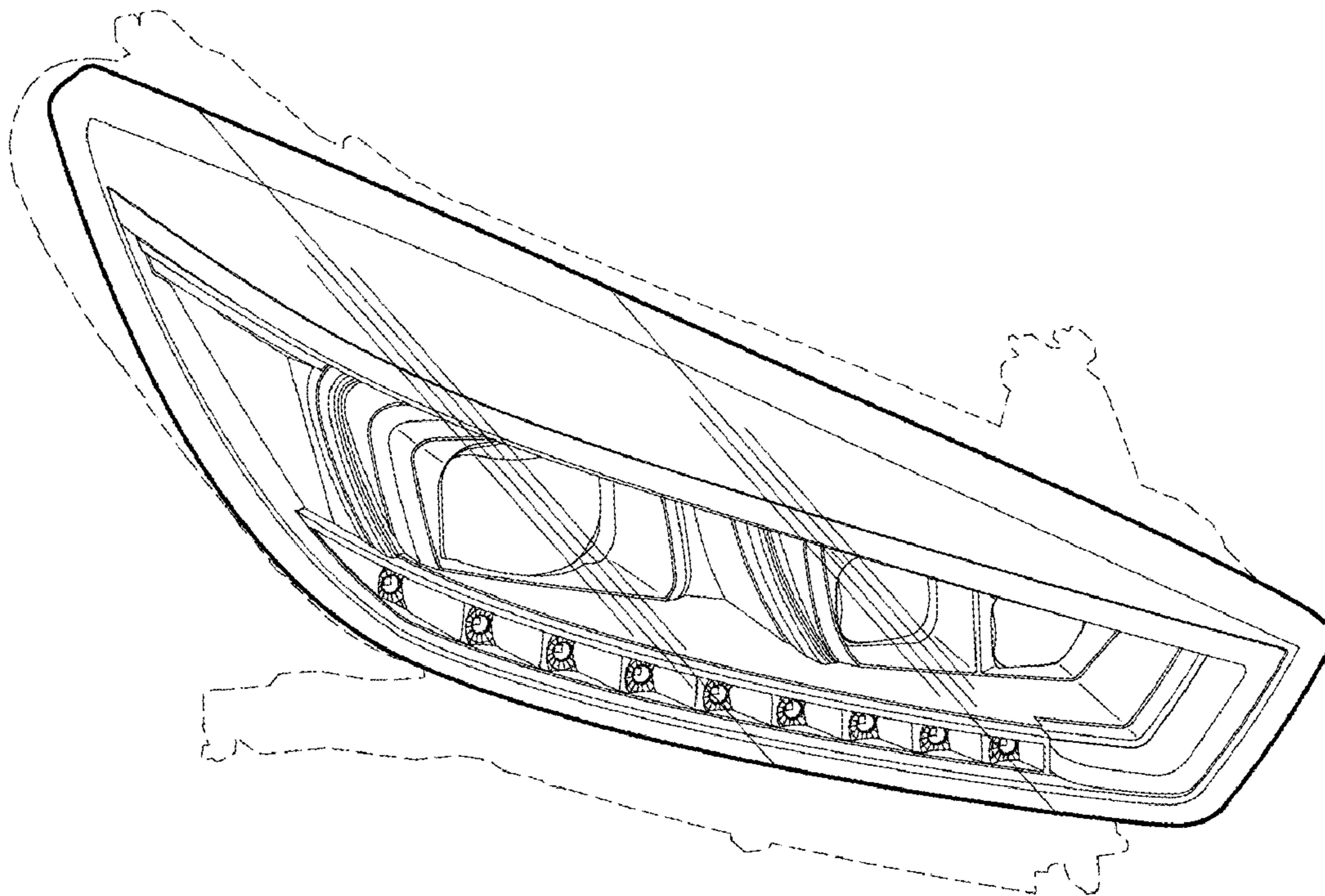
FIG. 1 is a perspective view of an vehicle headlight unit. The drawings and descriptions represent the right side embodiment. The design also contemplates a mirror symmetrical embodiment on the opposite side of the vehicle. The dash line included denotes environment and is not part of the claimed design.

FIG. 2 is a front view thereof;

FIG. 3 is a side view thereof; and,

FIG. 4 is a top view thereof.

1 Claim, 4 Drawing Sheets



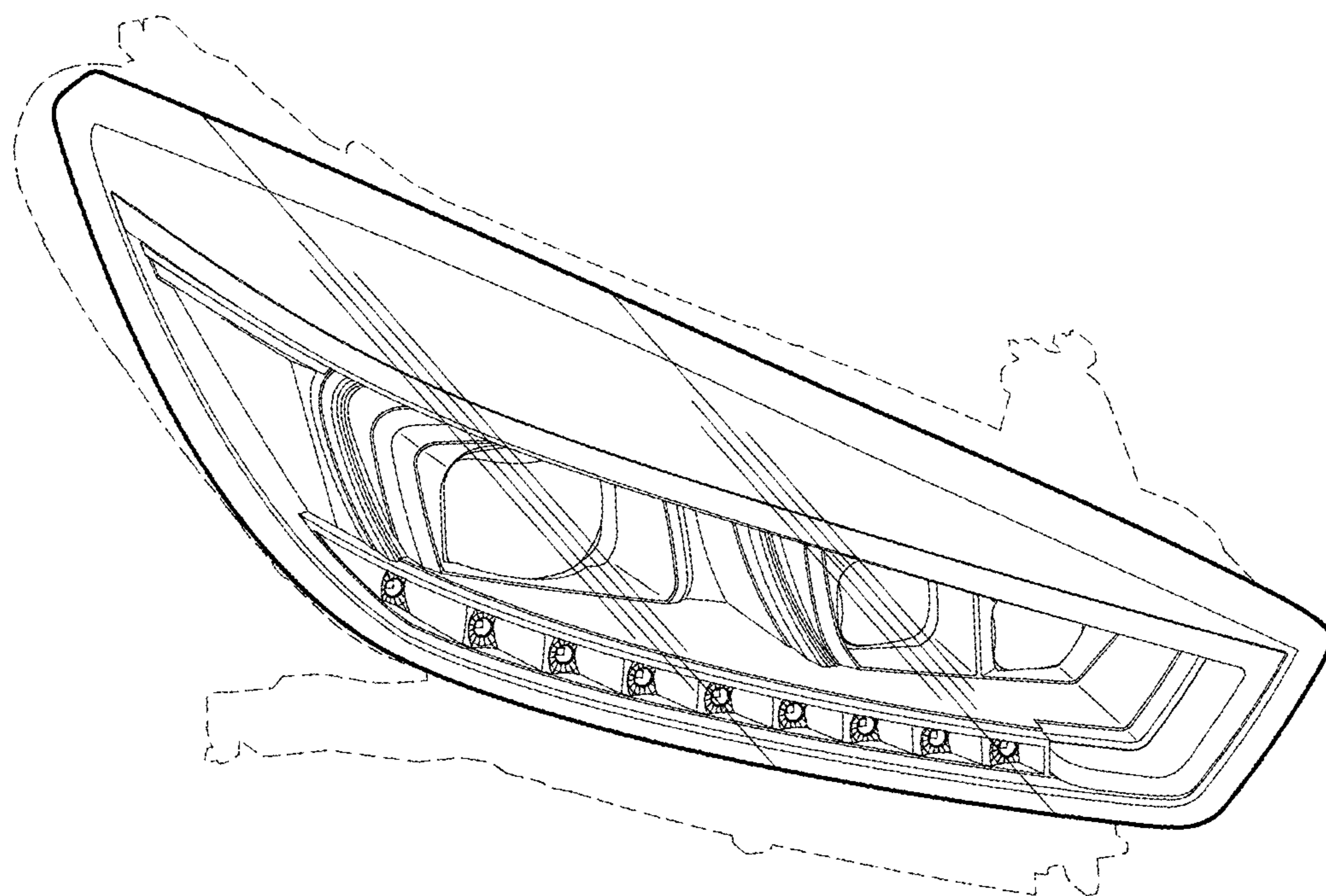


FIG. 1

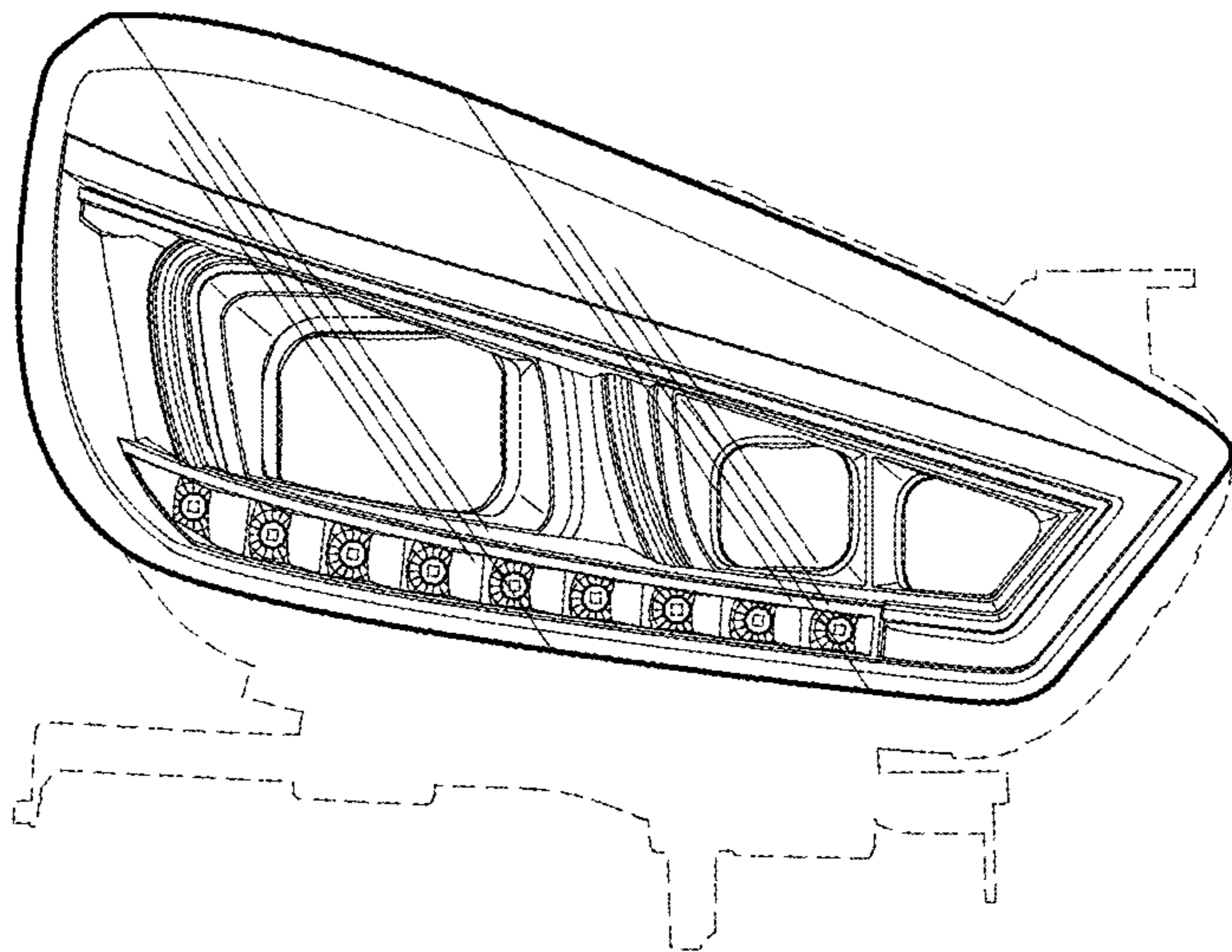


FIG. 2

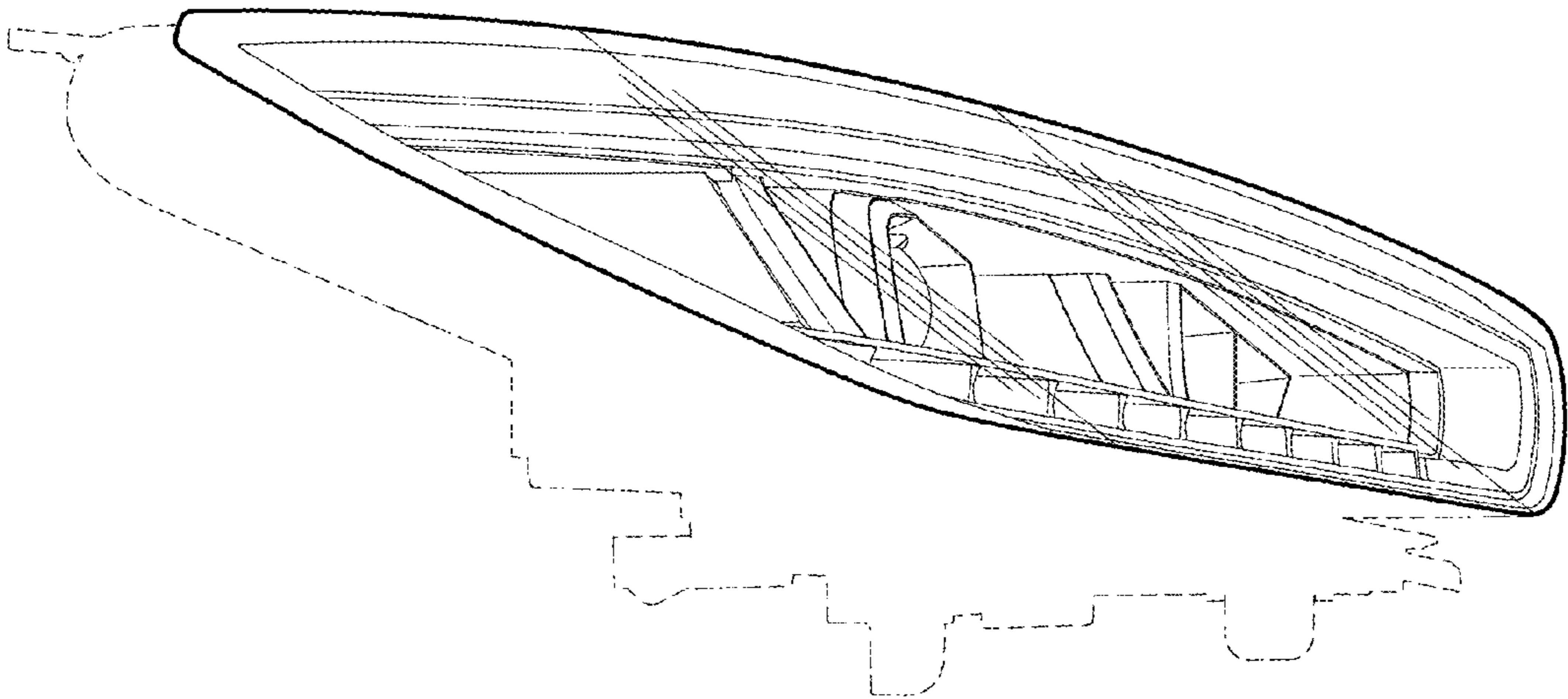


FIG. 3

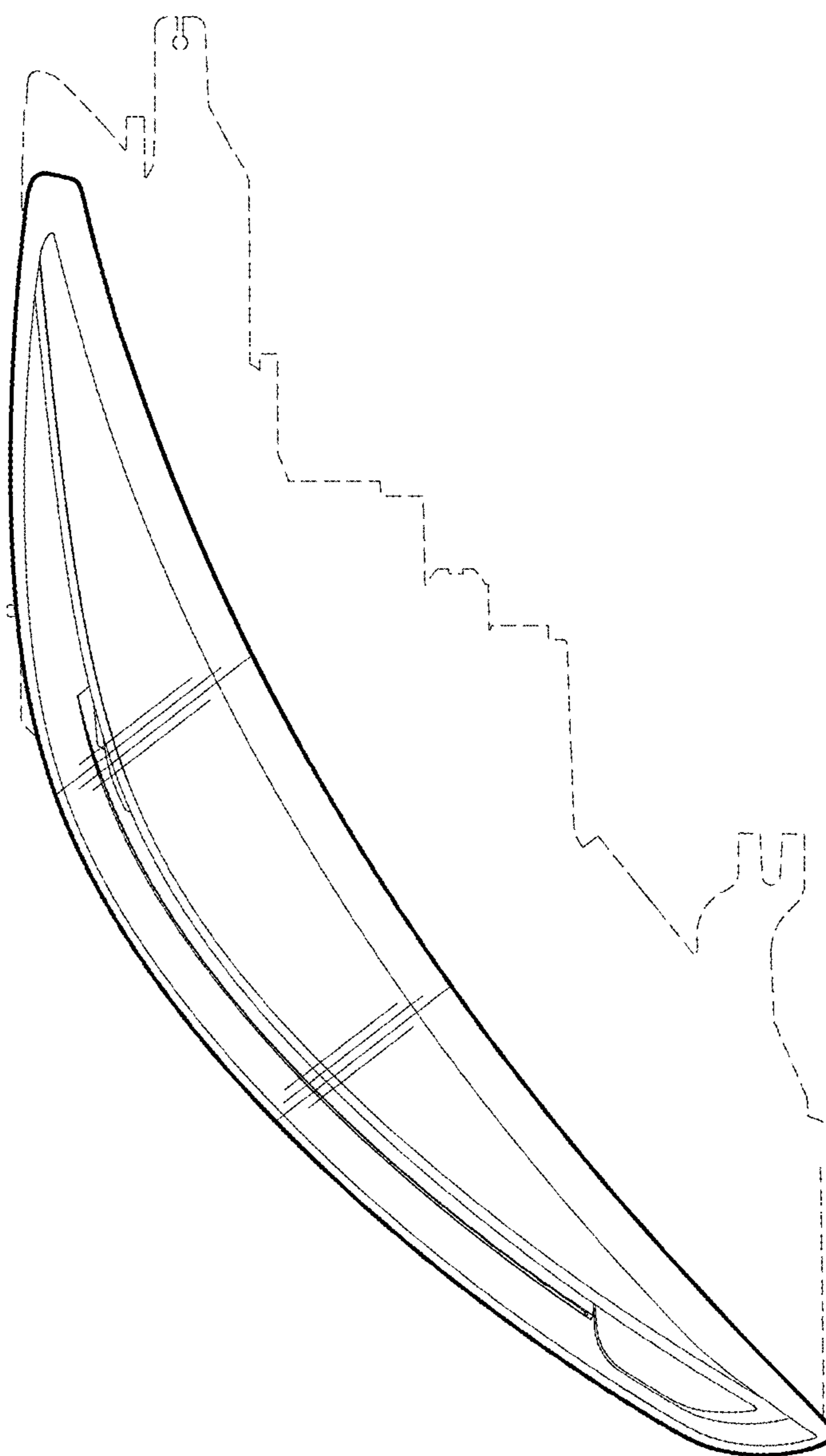


FIG. 4