



US00D761460S

(12) **United States Design Patent**  
**Lin**

(10) **Patent No.:** **US D761,460 S**  
(45) **Date of Patent:** **\*\* Jul. 12, 2016**

(54) **VEHICLE HEADLIGHT**  
(71) Applicant: **Yung-Hsiang Lin**, Tainan (TW)  
(72) Inventor: **Yung-Hsiang Lin**, Tainan (TW)  
(\*\*) Term: **14 Years**  
(21) Appl. No.: **29/518,770**  
(22) Filed: **Feb. 26, 2015**  
(51) **LOC (10) Cl.** ..... **26-06**  
(52) **U.S. Cl.**  
USPC ..... **D26/28**  
(58) **Field of Classification Search**  
USPC ..... D26/28-36; 362/61, 80-83, 267-269,  
362/459-468, 475-478, 485-487  
CPC ..... B60Q 1/02; B60Q 1/04; F21S 48/00;  
F21S 48/10; F21S 48/115; F21S 48/225;  
F21S 48/1233; F21S 48/1266; F21S 48/1388;  
F21S 48/2268; F21V 21/04  
See application file for complete search history.

D691,758 S \* 10/2013 Lai ..... D26/28  
D706,470 S \* 6/2014 Lai .....  
D706,472 S \* 6/2014 Lai ..... D26/28  
D709,223 S \* 7/2014 Lai ..... D26/28  
D709,224 S \* 7/2014 Lai ..... D26/28  
D710,044 S \* 7/2014 Lai ..... D26/28  
D717,984 S \* 11/2014 Lai ..... D26/28  
D718,893 S \* 12/2014 Lai ..... D26/28

\* cited by examiner

*Primary Examiner* — Marcus Jackson

(74) *Attorney, Agent, or Firm* — Alexander Chen, Esq.

(57) **CLAIM**

An ornamental design for a vehicle headlight, as shown and described.

**DESCRIPTION**

FIG. 1 is a perspective view of a vehicle headlight. The drawings and descriptions represent the right side embodiment. The design also contemplates a mirror symmetrical embodiment on the opposite side of the vehicle. The dash line included denotes environment and is not part of the claimed design.

FIG. 2 is a front view thereof;

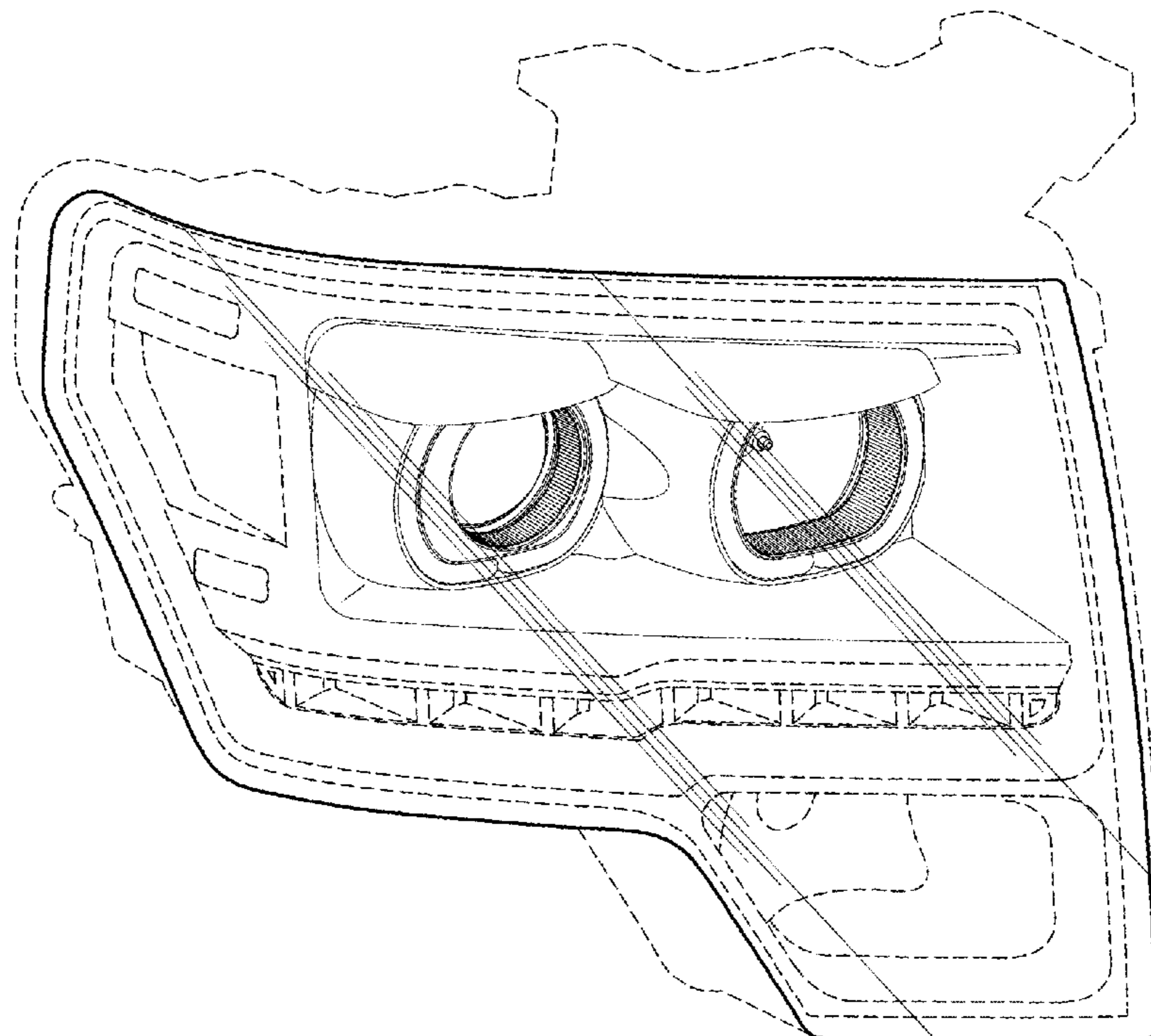
FIG. 3 is a side view thereof; and,

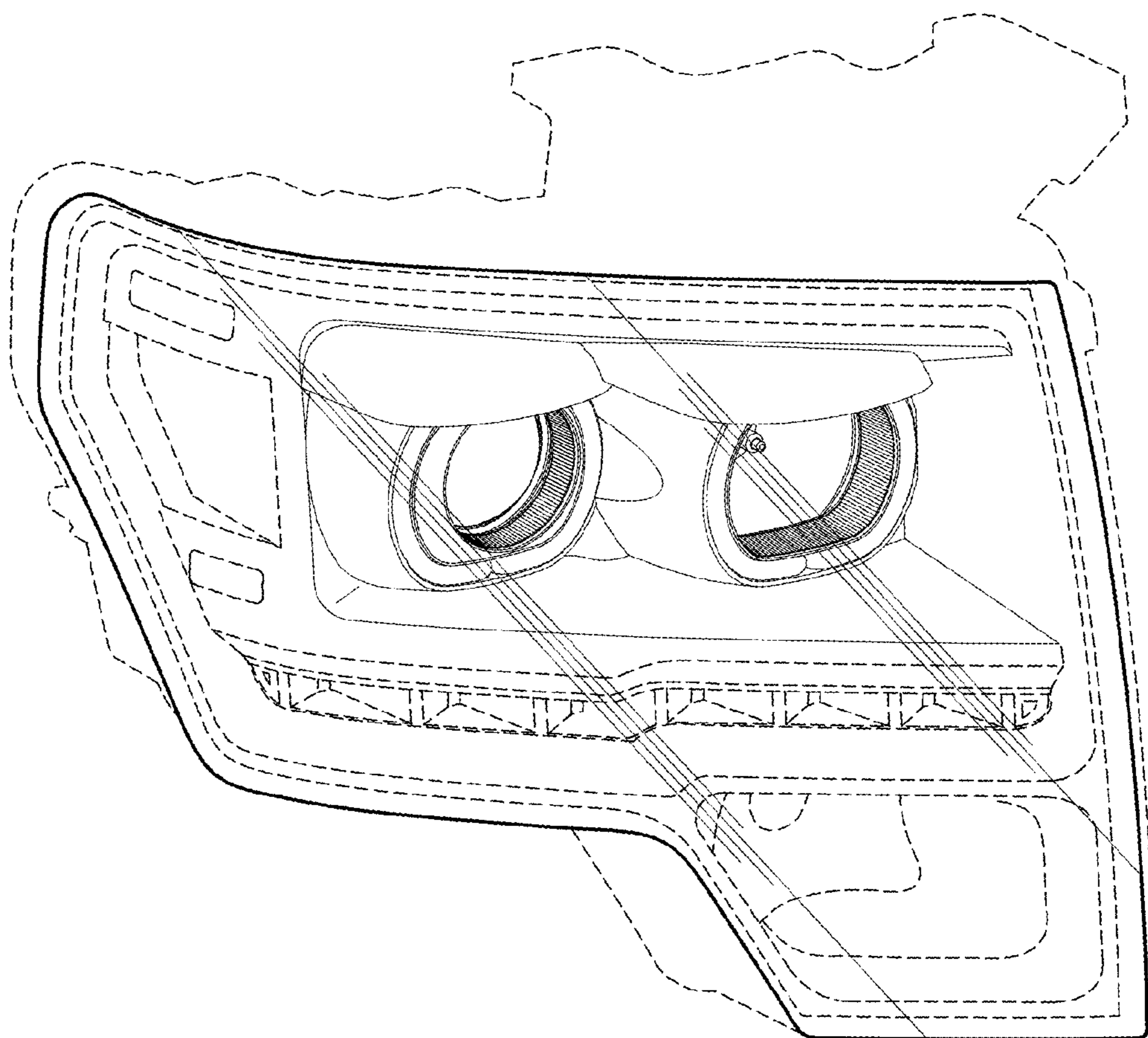
FIG. 4 is a top view thereof.

(56) **References Cited**  
U.S. PATENT DOCUMENTS

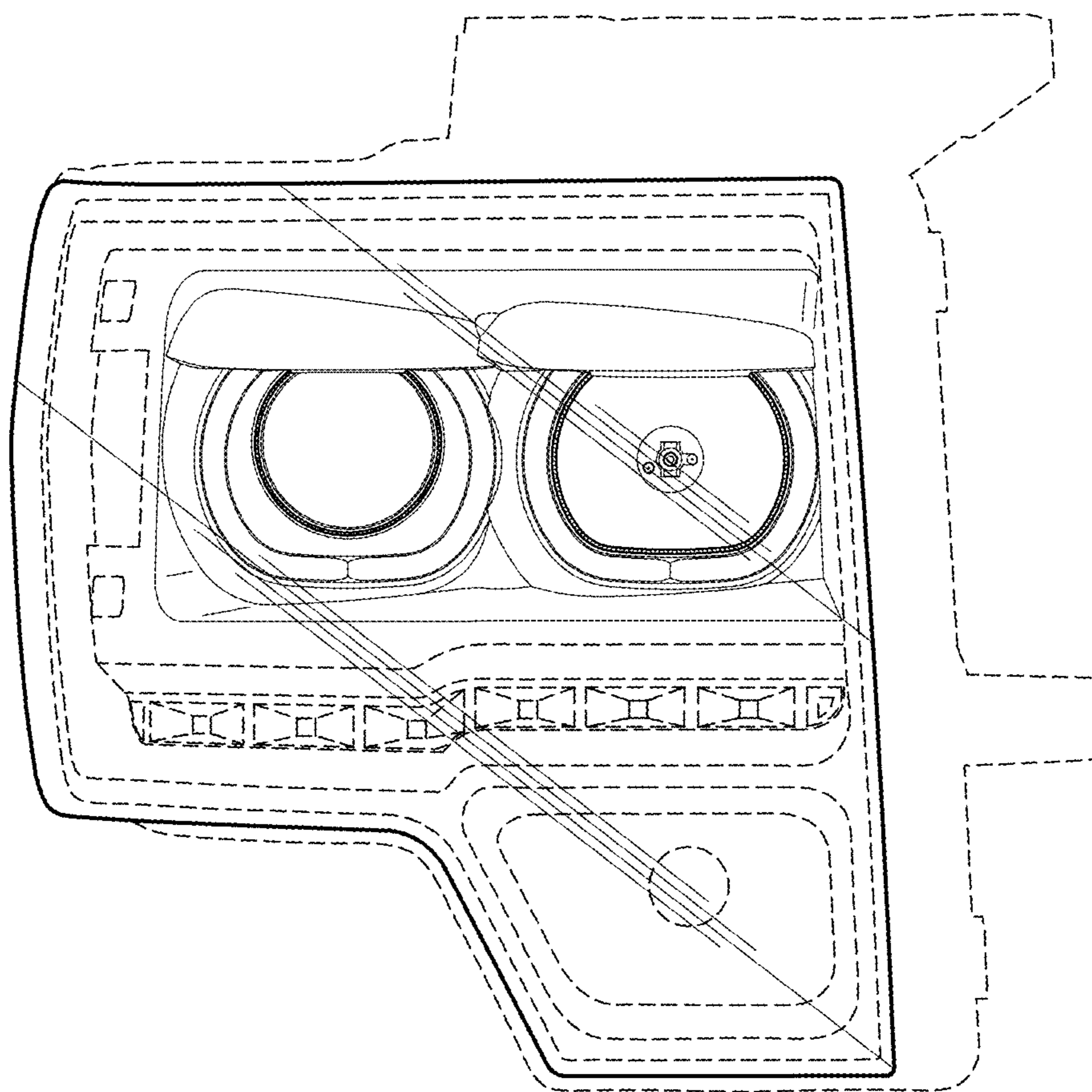
D676,166 S \* 2/2013 Lai ..... D26/28  
D678,567 S \* 3/2013 Lai ..... D26/28

**1 Claim, 4 Drawing Sheets**

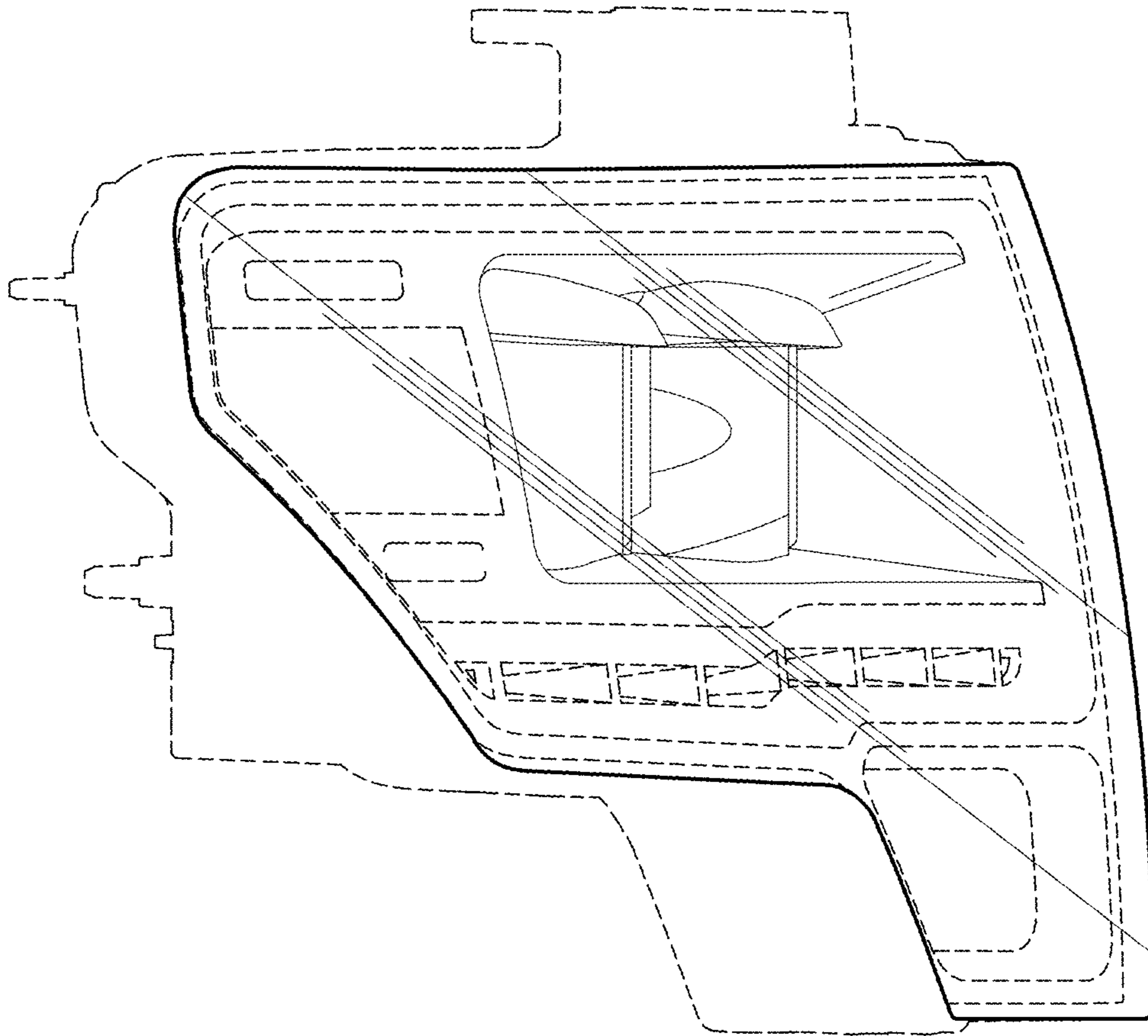




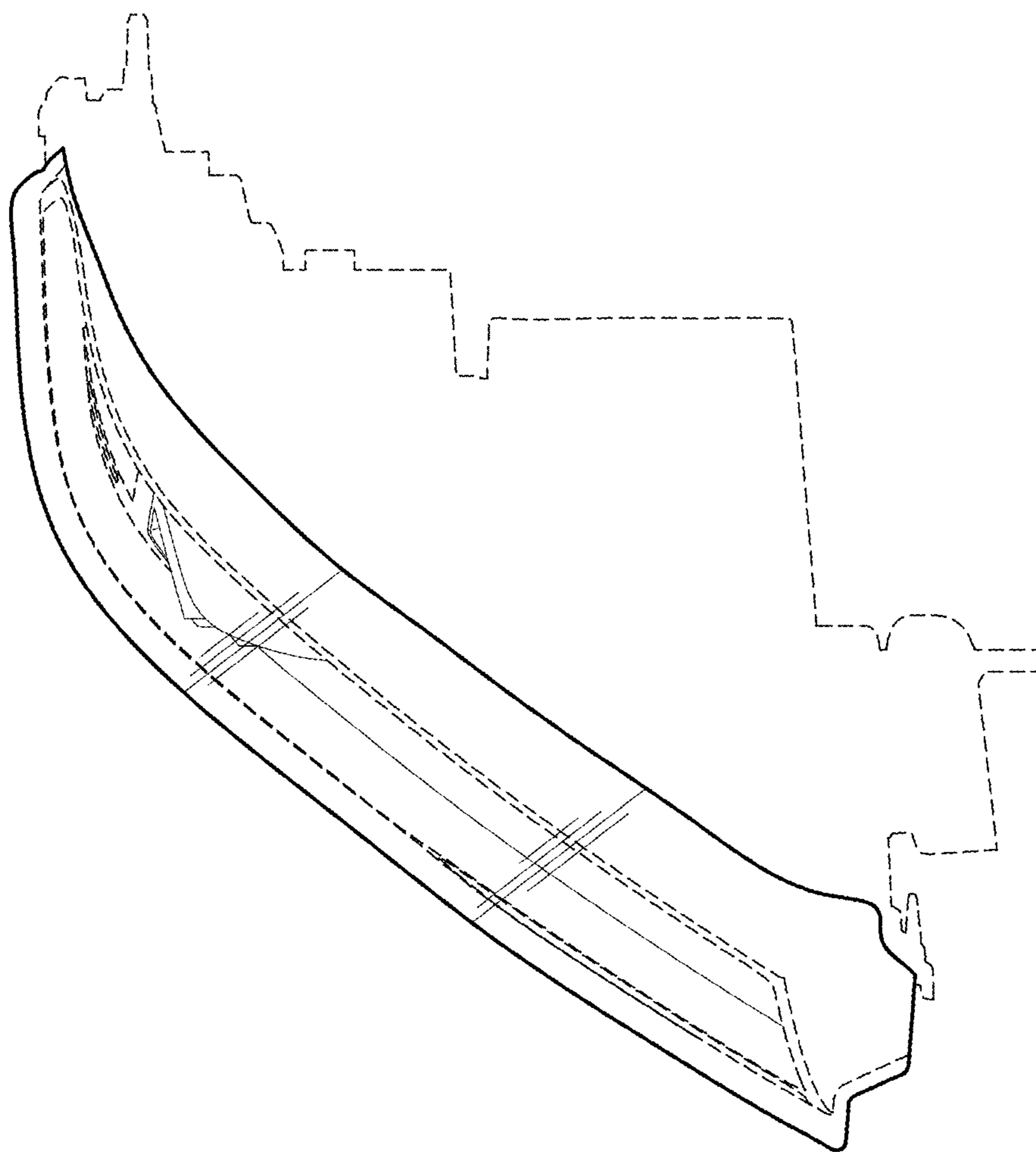
**FIG. 1**



**FIG. 2**



**FIG. 3**



**FIG. 4**