



US00D761457S

(12) **United States Design Patent**  
**Davidson et al.**

(10) **Patent No.:** **US D761,457 S**  
(45) **Date of Patent:** **\*\* Jul. 12, 2016**

(54) **HEADLIGHT**

(71) Applicants: **Benjamin R. Davidson**, Torrance, CA  
(US); **Randal Wolstenholm**, Los  
Alamitos, CA (US)

(72) Inventors: **Benjamin R. Davidson**, Torrance, CA  
(US); **Randal Wolstenholm**, Los  
Alamitos, CA (US)

(73) Assignee: **HONDA MOTOR CO., LTD.**, Tokyo  
(JP)

(\*\*) Term: **14 Years**

(21) Appl. No.: **29/517,242**

(22) Filed: **Feb. 11, 2015**

(51) **LOC (10) Cl.** ..... **26-06**

(52) **U.S. Cl.**

USPC ..... **D26/28**

(58) **Field of Classification Search**

USPC ..... D26/28-36; 362/459-468, 475-478,  
362/485-487

CPC ..... F21S 48/00; F21S 48/10; F21S 48/115;  
F21S 48/225; F21S 48/1233; F21S 48/1266;  
F21S 48/1388; F21S 48/2268; F21V 21/04

See application file for complete search history.

(56) **References Cited**

U.S. PATENT DOCUMENTS

D660,485 S *	5/2012	Nishihama	.....	D26/28
D702,381 S *	4/2014	Katou	.....	D26/28
D715,471 S *	10/2014	Nagasaka	.....	D26/28
D717,478 S *	11/2014	Perini	.....	D26/28

FOREIGN PATENT DOCUMENTS

JP	D1378733	2/2010
TW	D122340	4/2008
TW	D151244	1/2013

OTHER PUBLICATIONS

English translation of Taiwan IPO Search Report; Taiwan Design Patent Application No. 104304229; Dated Jan. 8, 2016.

\* cited by examiner

*Primary Examiner* — Marcus Jackson

(74) *Attorney, Agent, or Firm* — Pearne & Gordon LLP

(57) **CLAIM**

The ornamental design for a headlight, as shown and described.

**DESCRIPTION**

FIG. 1 is a front perspective view of a headlight showing our new design;

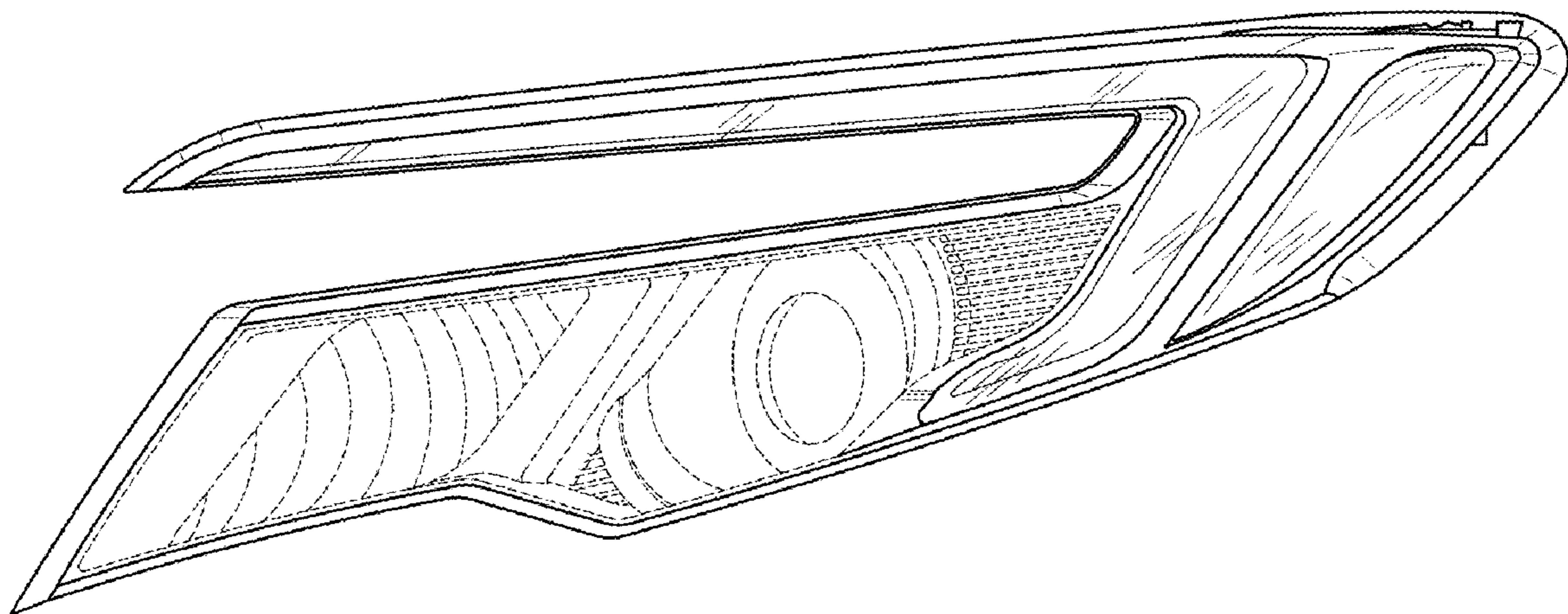
FIG. 2 is a front view thereof;

FIG. 3 is a right side view thereof; and,

FIG. 4 is a top view thereof.

The broken lines shown in the drawings illustrate portions of the headlight that form no part of the claimed design.

**1 Claim, 2 Drawing Sheets**



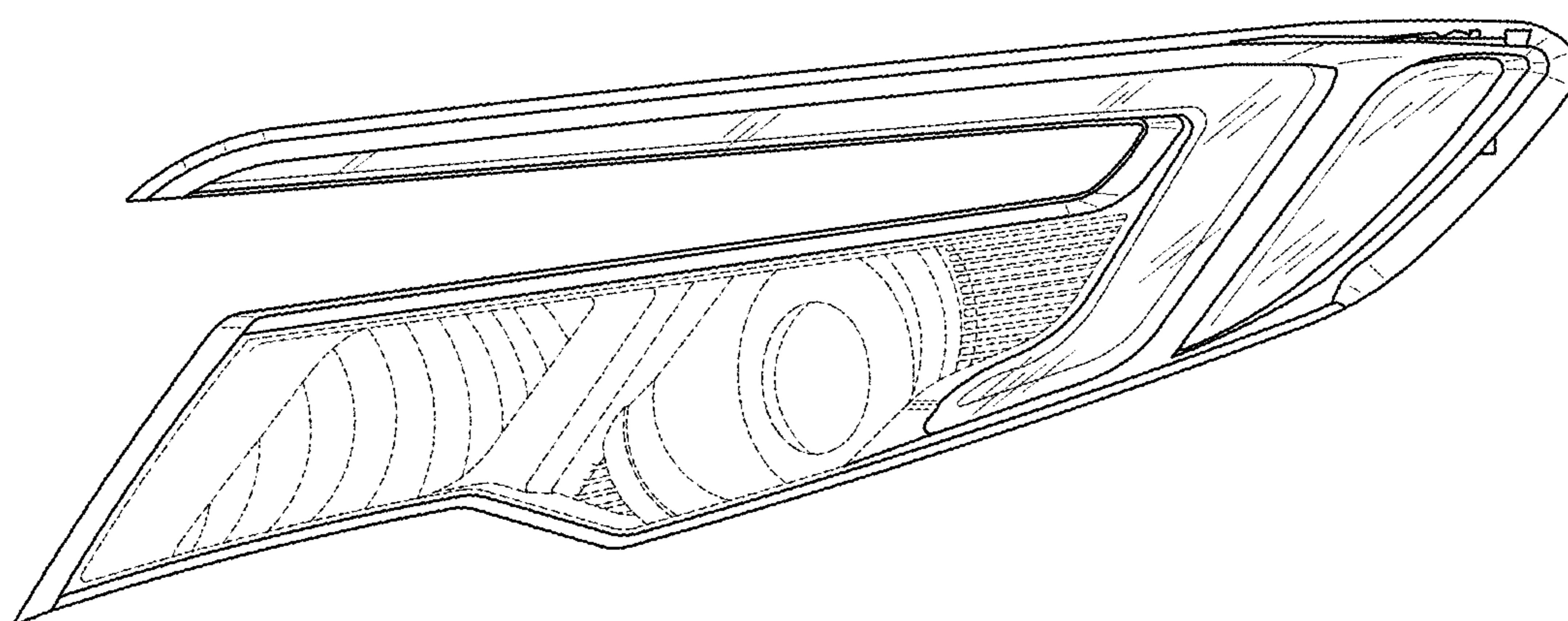


FIG. 1

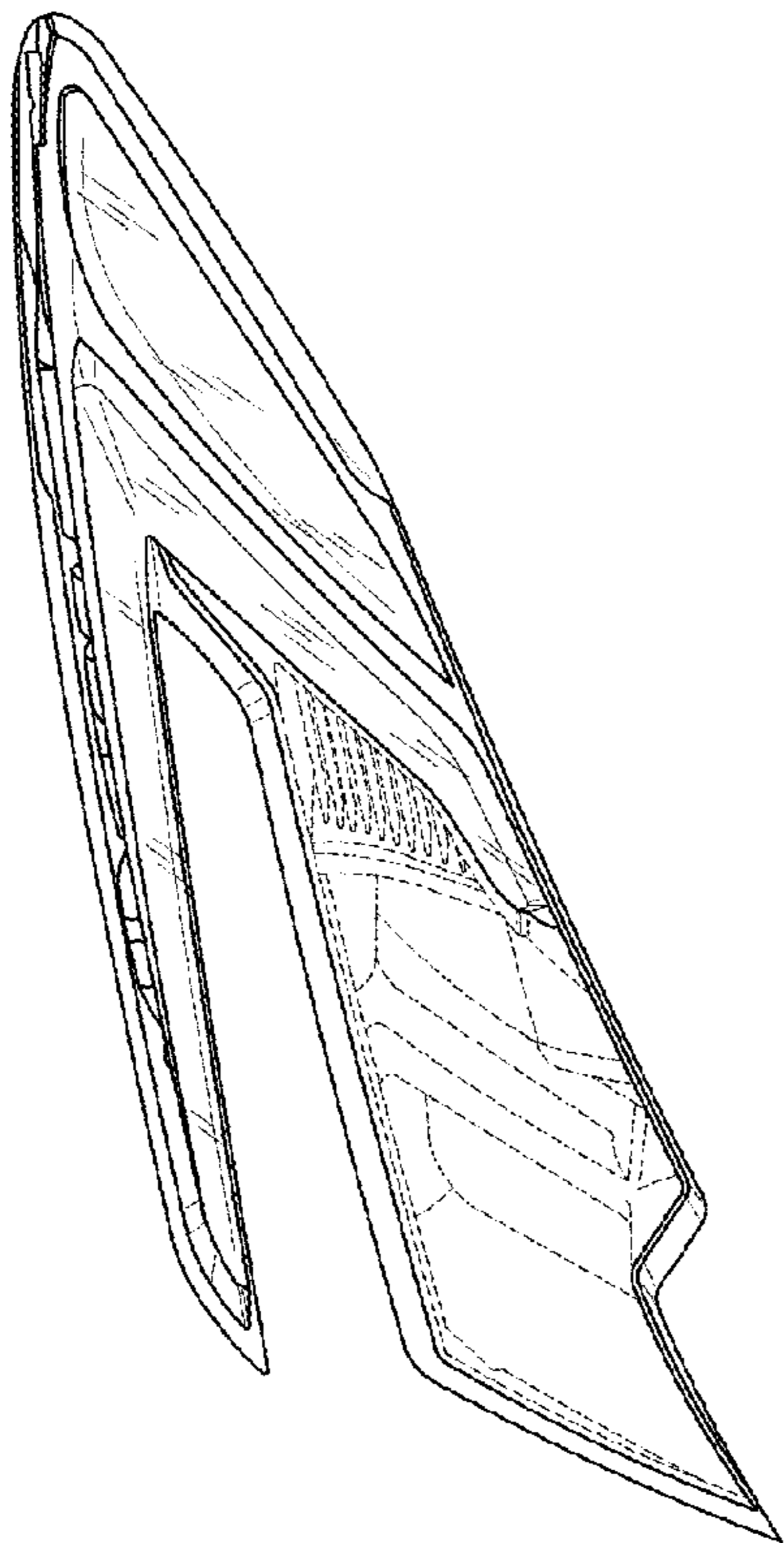


FIG. 3

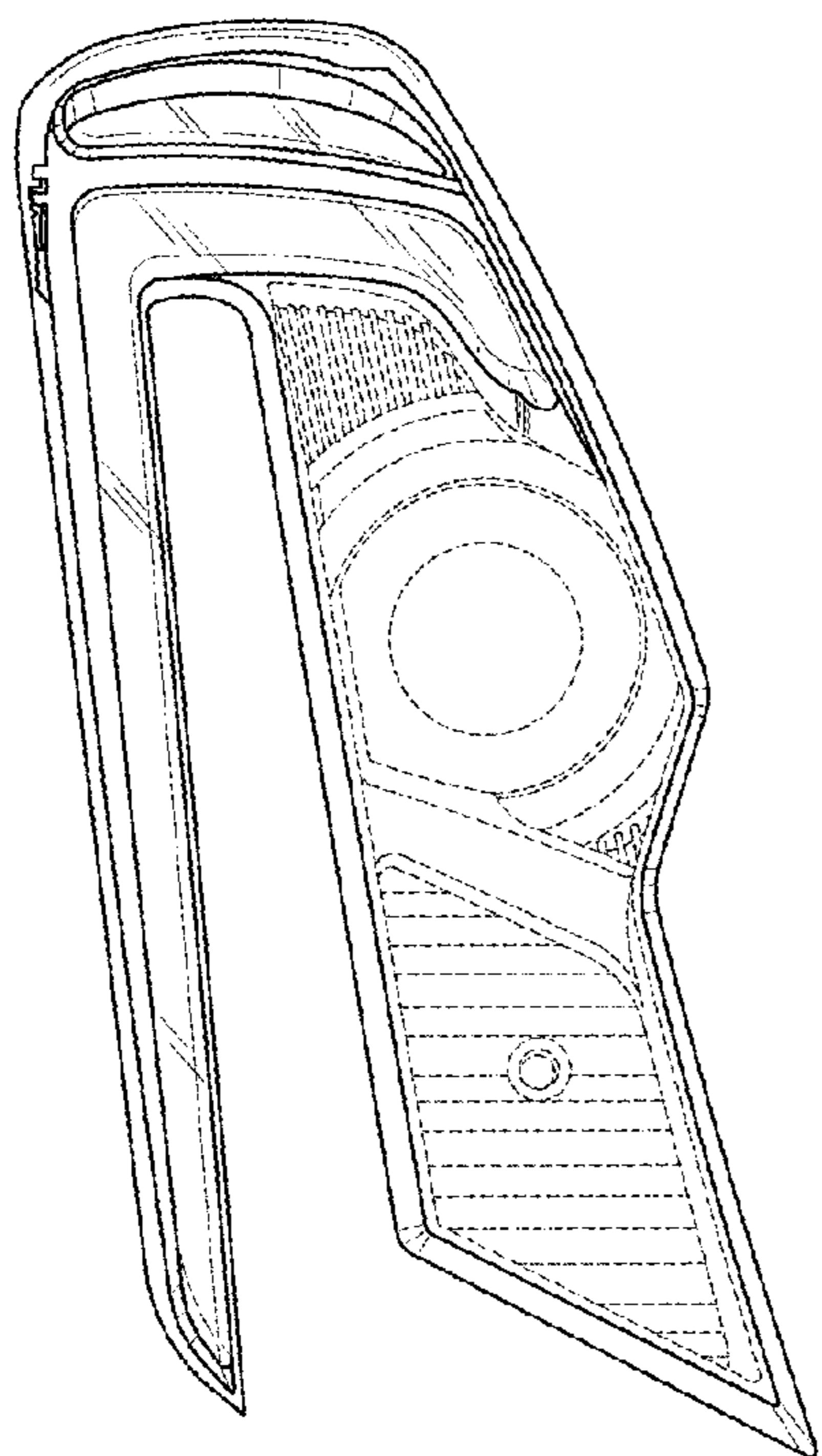


FIG. 2

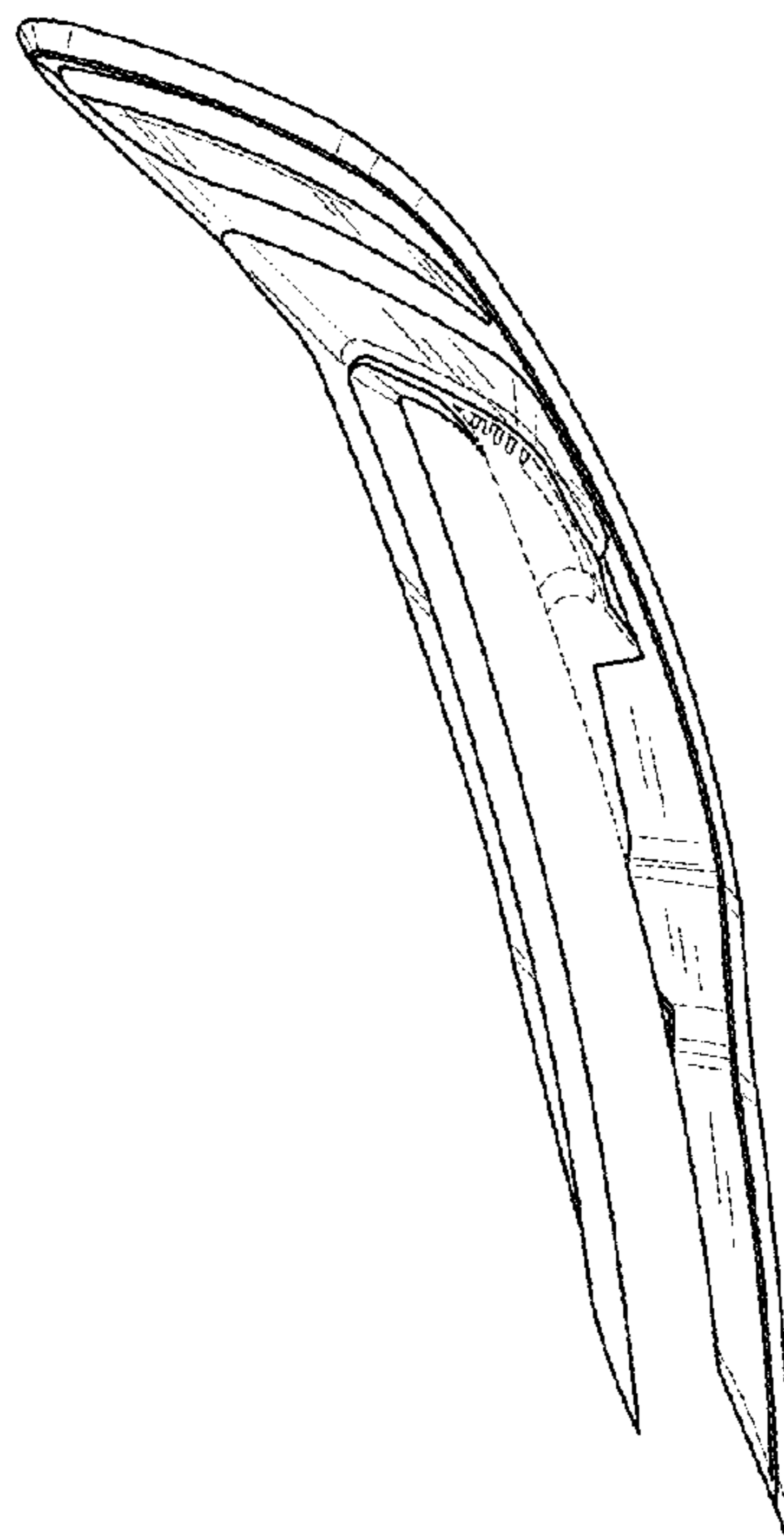


FIG. 4