



US00D761453S

(12) **United States Design Patent**  
**Sorokin**

(10) **Patent No.:** **US D761,453 S**  
(45) **Date of Patent:** **\*\* Jul. 12, 2016**

(54) **POOL LIGHT AND ADAPTOR**

(71) Applicant: **CONSOLIDATED POOL & SPA INDUSTRIES INC.**, Woodbridge (CA)

(72) Inventor: **Jason Sorokin**, Woodbridge (CA)

(\*\*) Term: **14 Years**

(21) Appl. No.: **29/474,376**

(22) Filed: **Aug. 25, 2014**

(30) **Foreign Application Priority Data**

Aug. 18, 2014 (CA) ..... 158284

(51) **LOC (10) Cl.** ..... **26-03**

(52) **U.S. Cl.**  
USPC ..... **D26/24**

(58) **Field of Classification Search**  
USPC ..... D26/24, 60-66, 72, 85, 92, 113, 118,  
D26/119; 362/287, 427, 269, 370-371, 382,  
362/523  
CPC ..... F21V 21/14; F21V 15/01; F21V 14/02;  
F21V 21/30; F21V 14/00; F21Y 2105/001;  
F21S 8/00  
See application file for complete search history.

(56) **References Cited**

**U.S. PATENT DOCUMENTS**

D641,903 S \* 7/2011 Nam ..... D26/61  
D739,975 S \* 9/2015 Campos ..... D26/63

**OTHER PUBLICATIONS**

Zodiac Pool Systems, Inc., "Owner's Manual: Jandy Pro Series Nicheless LED Underwater Light", 2013, pp. 1 to 12.

Zodiac Pool Systems, Inc., "LED Lights", 2013, 2 pages.

\* cited by examiner

*Primary Examiner* — Brian N Vinson

(74) *Attorney, Agent, or Firm* — Riches, McKenzie & Herbert, LLP

(57) **CLAIM**

I claim the ornamental design for a pool light and adaptor, as shown and described.

**DESCRIPTION**

FIG. 1 is a perspective view taken from the front and one side of the design, with the cooperating environment shown in broken lines;

FIG. 2 is a front elevational view of the design shown in FIG. 1;

FIG. 3 is a rear elevational view of the design shown in FIG. 1;

FIG. 4 is a first side elevational view of the design shown in FIG. 1;

FIG. 5 is a top plan view of the design shown in FIG. 1;

FIG. 6 is a second side elevational view of the design shown in FIG. 1;

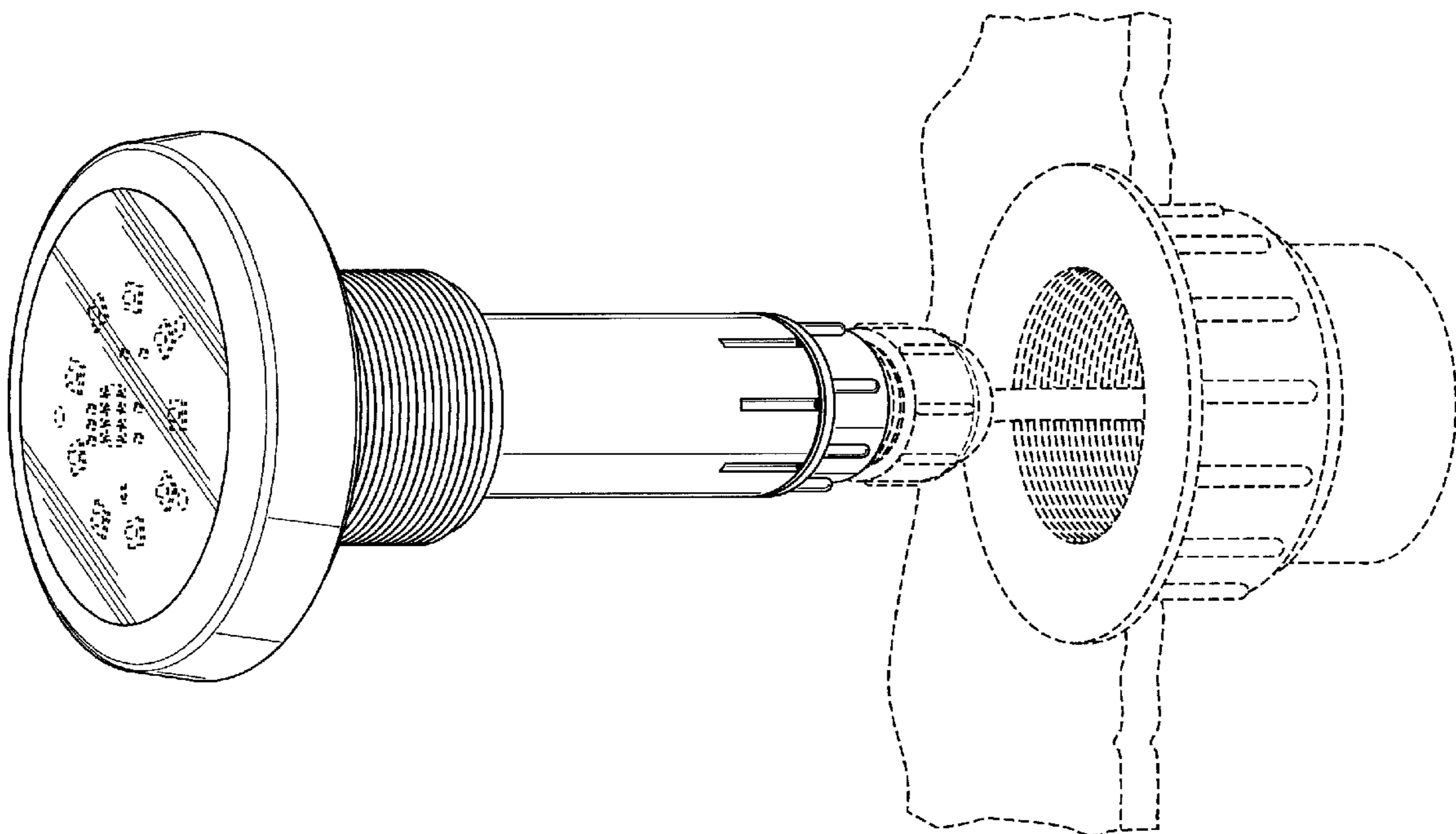
FIG. 7 is a bottom plan view of the design shown in FIG. 1;

FIG. 8 is an exploded perspective view taken from the front and one side of the design shown in FIG. 1; and,

FIG. 9 is an exploded perspective view taken from the rear and one side of the design shown in FIG. 1.

The broken line portions in the drawings are for illustrative purposes and do not form part of the claimed design.

**1 Claim, 9 Drawing Sheets**



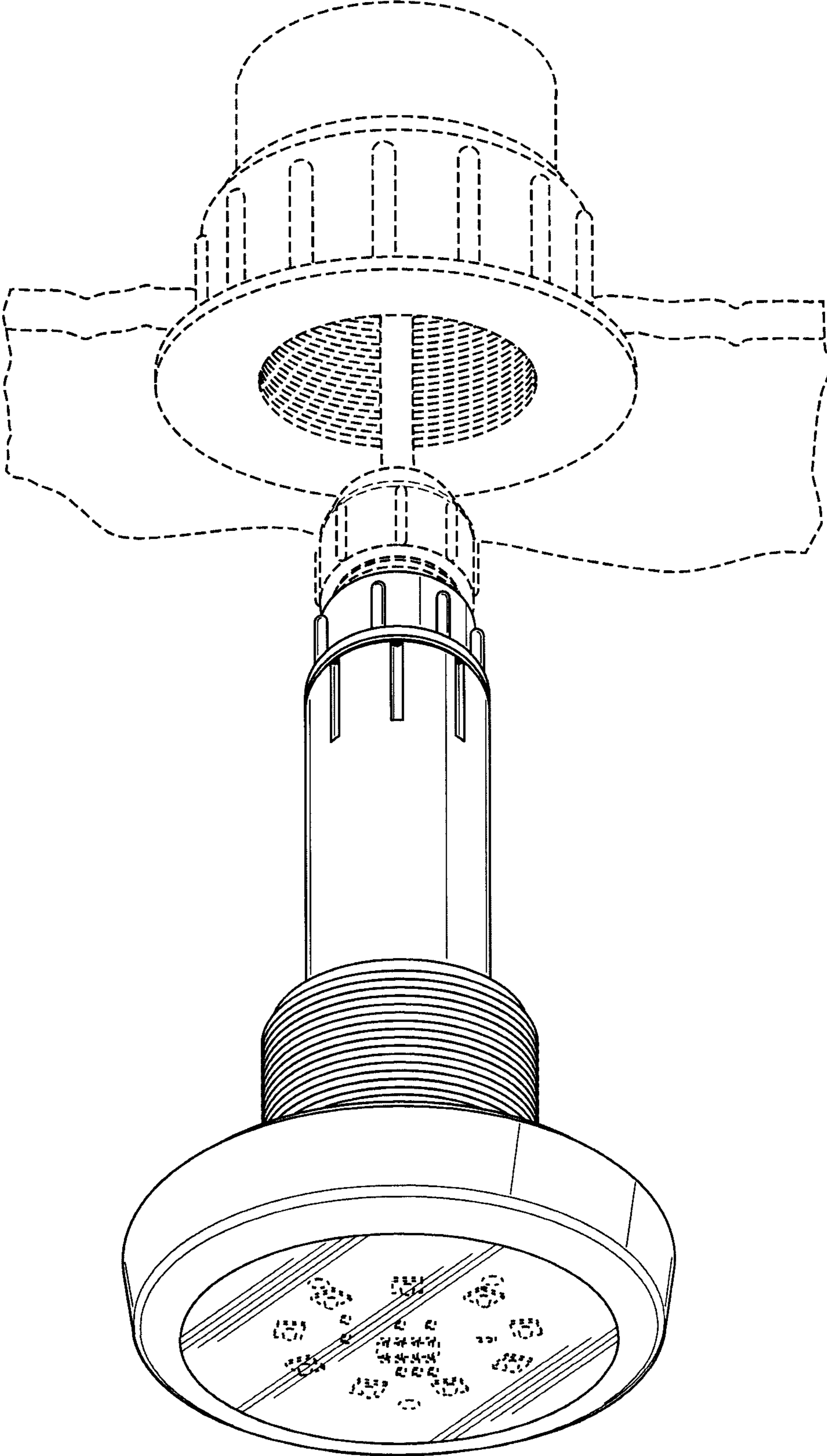


Fig. 1

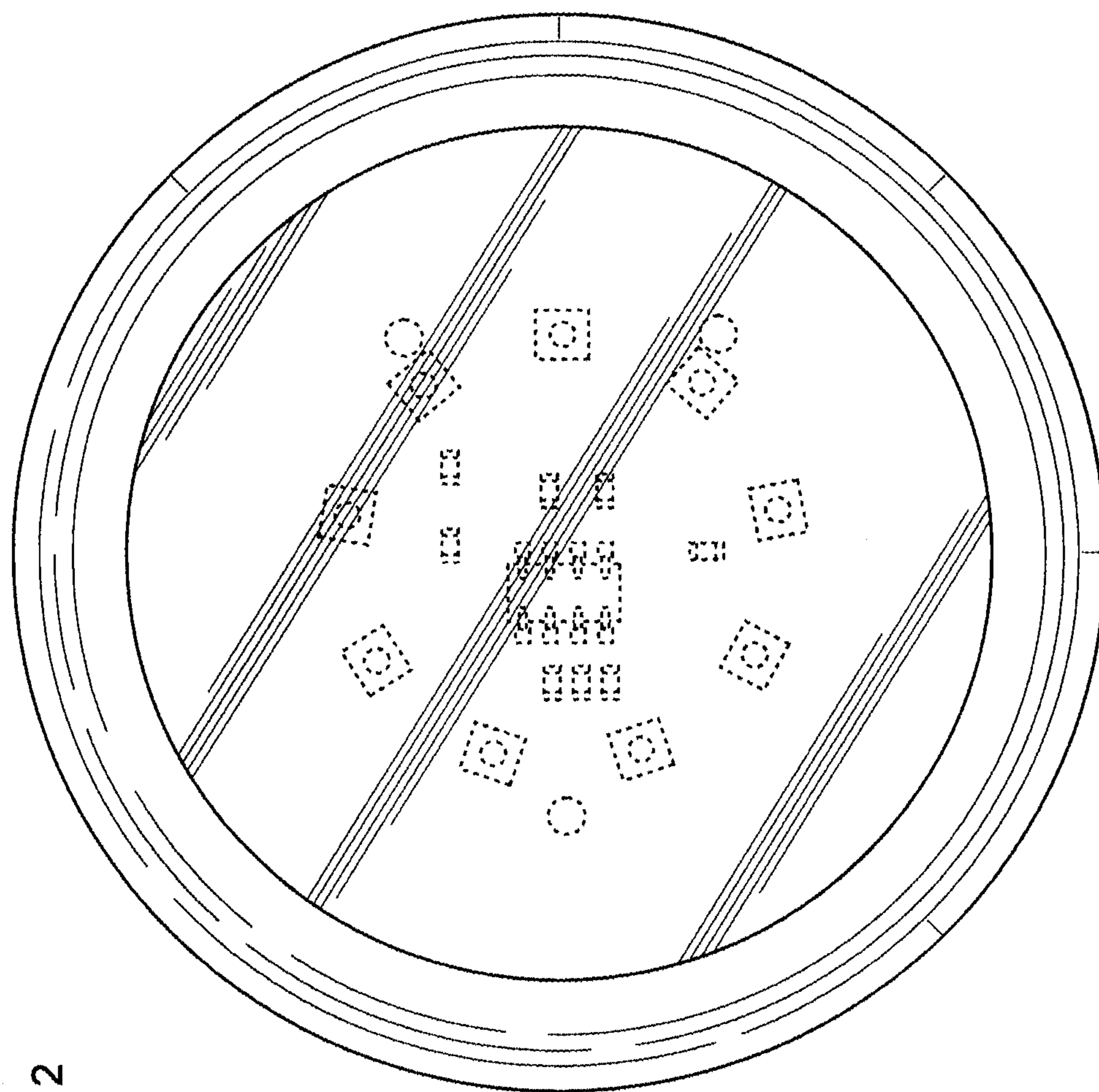


Fig. 2

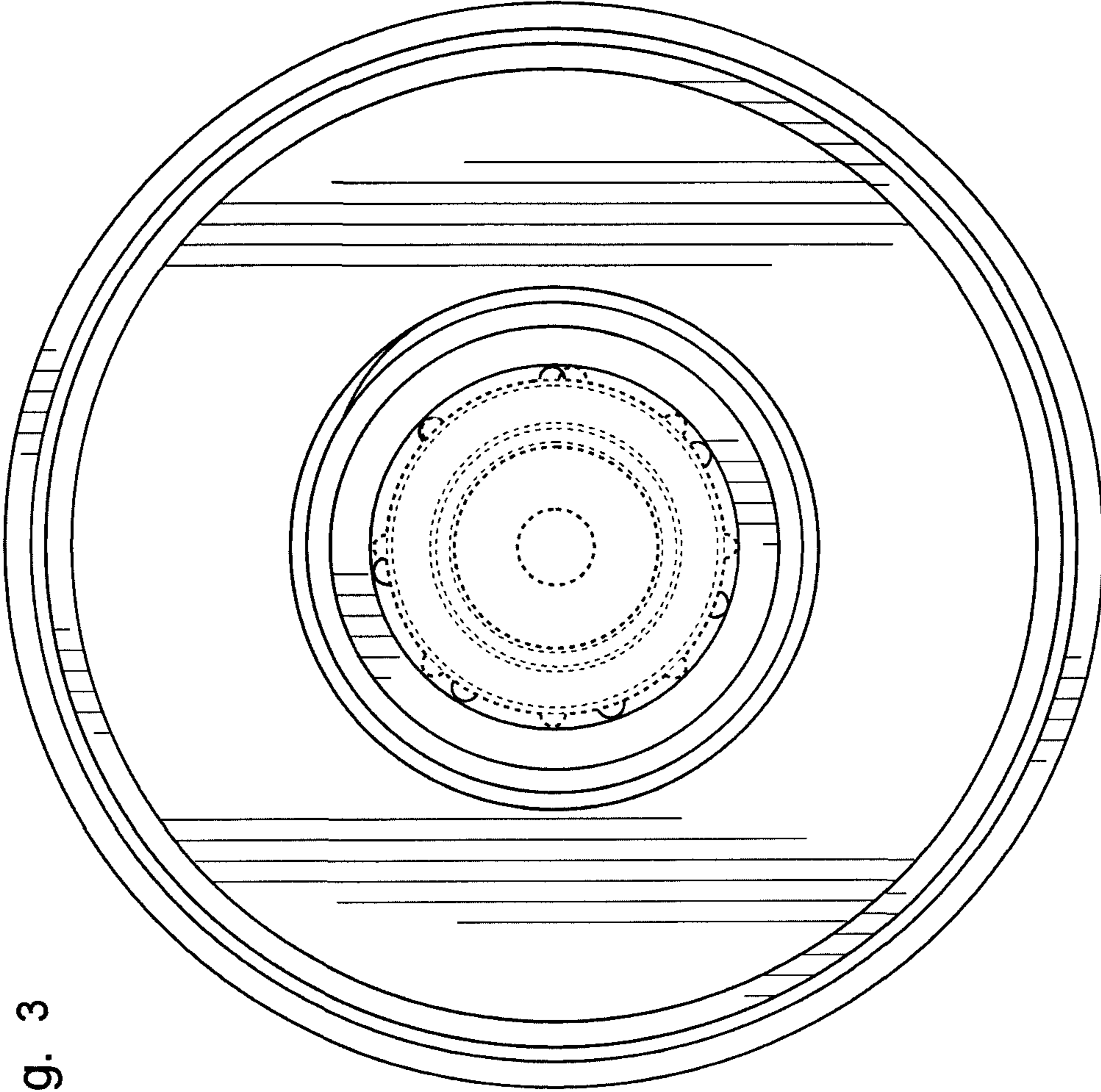


Fig. 3

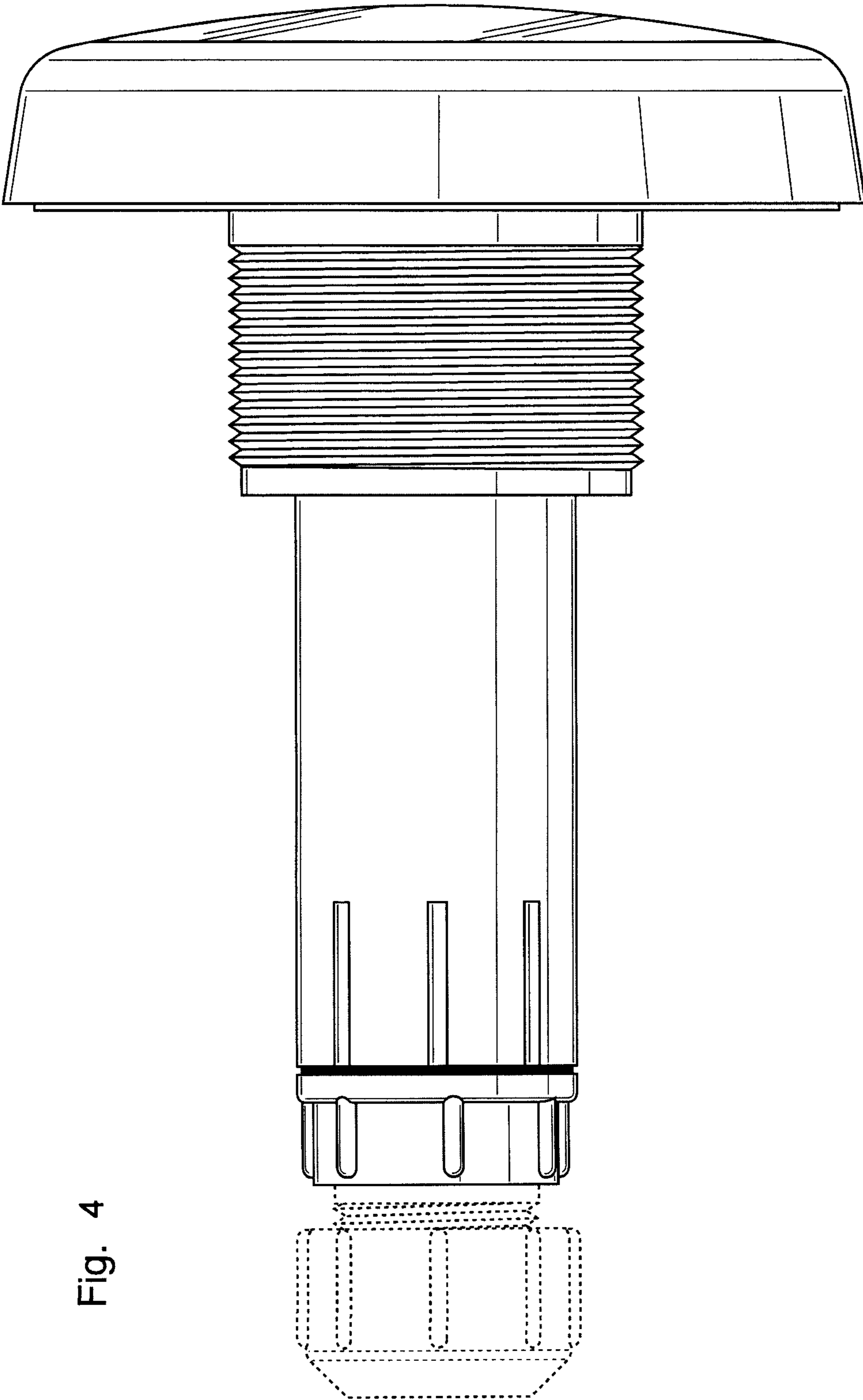


Fig. 4

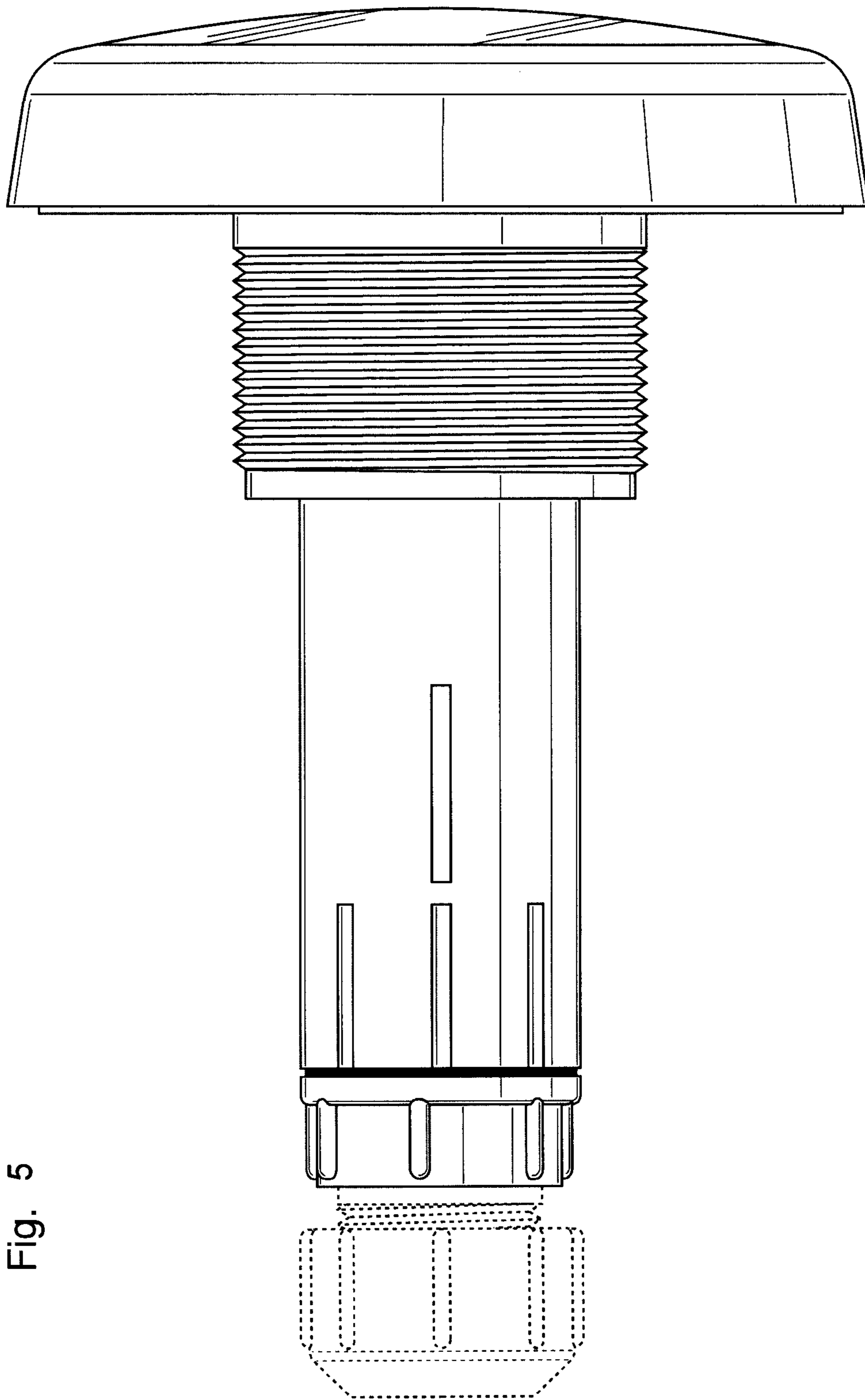


Fig. 5

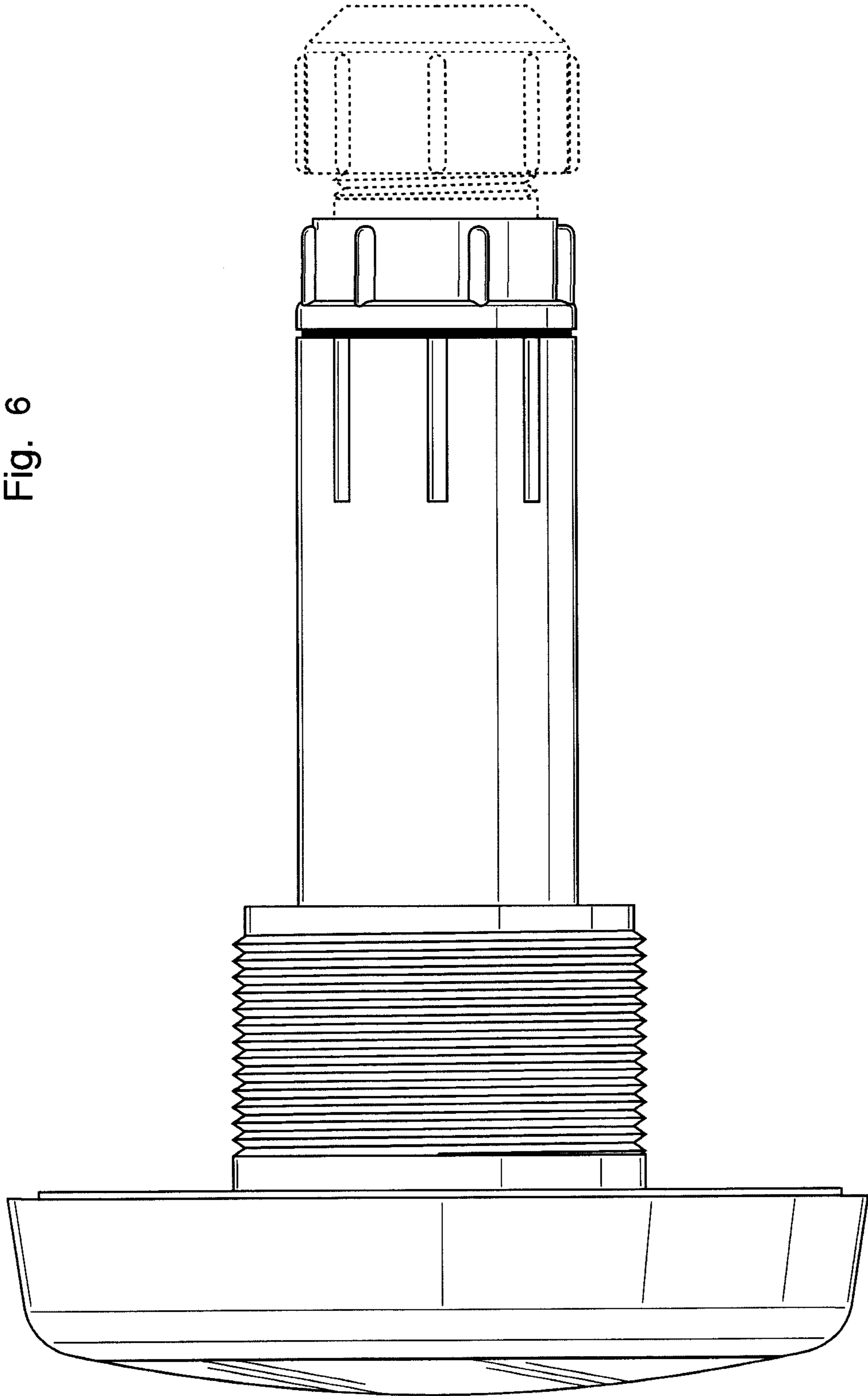


Fig. 6

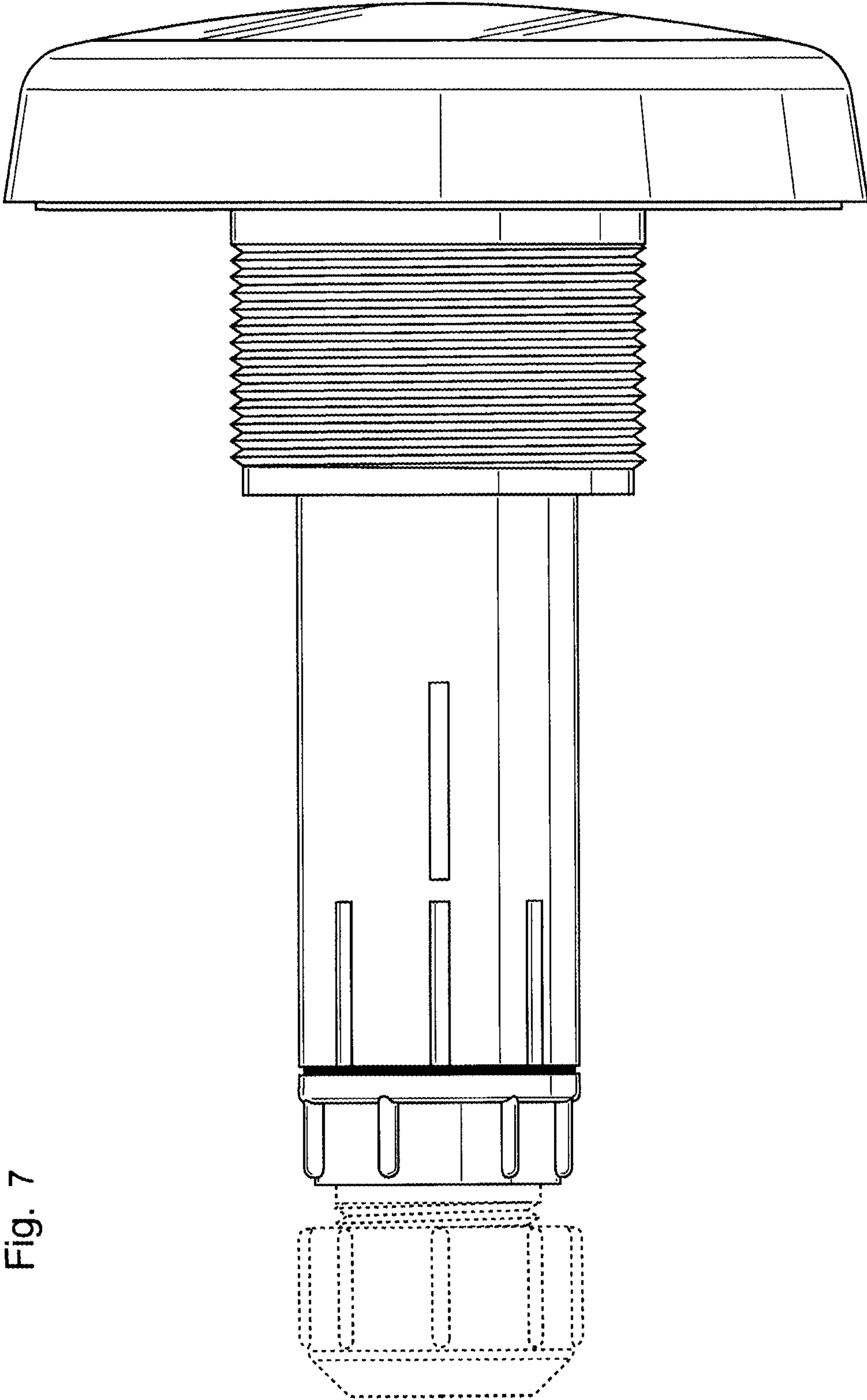


Fig. 7



Fig. 8

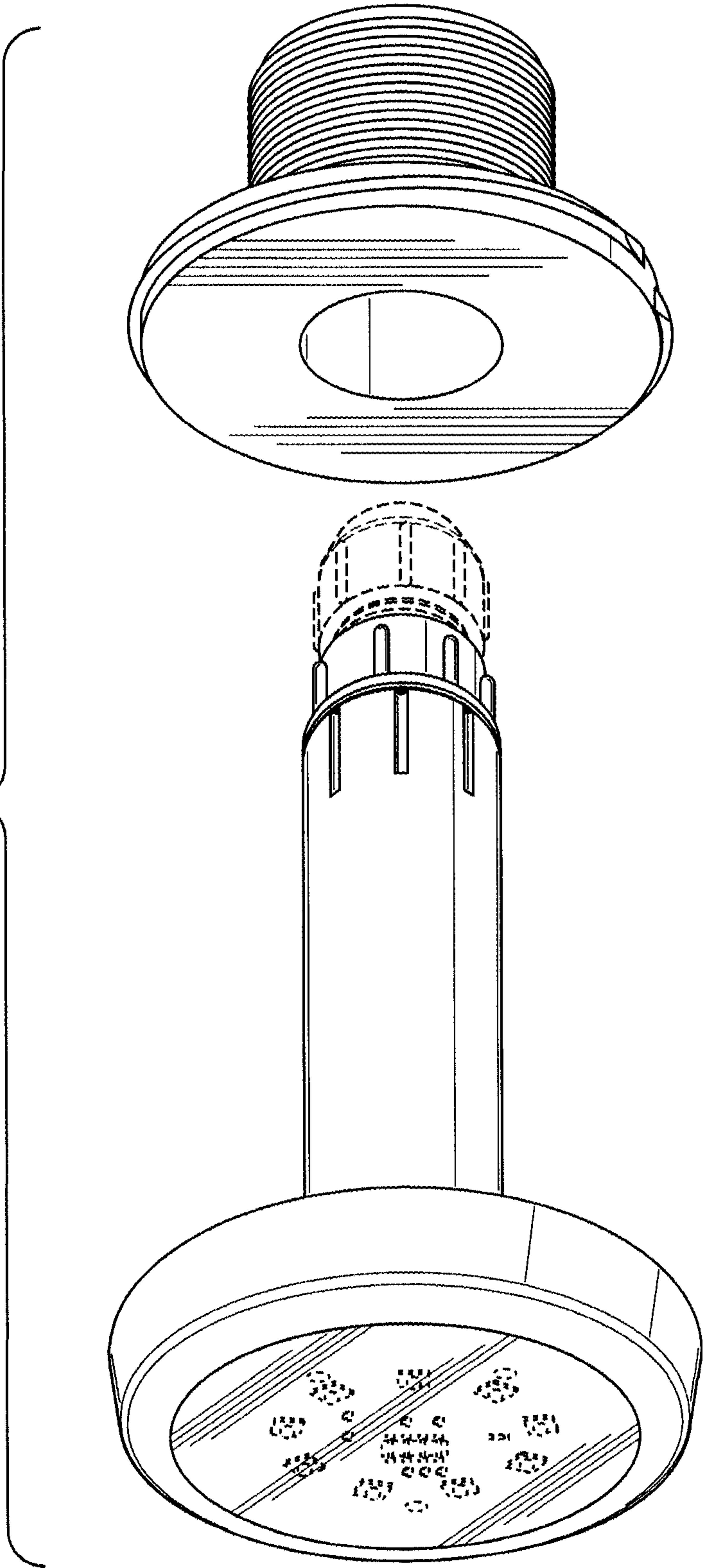


Fig. 9

