



US00D761449S

(12) **United States Design Patent**
Watanabe et al.

(10) **Patent No.:** **US D761,449 S**
(45) **Date of Patent:** **** Jul. 12, 2016**

(54) **LIGHT EMITTING DIODE LAMP**

(56) **References Cited**

(71) Applicant: **APS Japan Co., Ltd.**, Osaka-shi (JP)

U.S. PATENT DOCUMENTS

(72) Inventors: **Takefumi Watanabe**, Osaka (JP);
Hidemitsu Watanabe, Osaka (JP);
Hiroyuki Watanabe, Osaka (JP)

D271,906 S *	12/1983	Zabransky	D26/2
D605,786 S *	12/2009	Lim	D26/2
D647,226 S *	10/2011	Huang	D26/2
D647,646 S *	10/2011	Tsung	D26/2
D677,809 S *	3/2013	Watanabe	D26/2
D687,982 S *	8/2013	Leahy	D26/2
8,547,003 B2 *	10/2013	Wu	F21K 9/00 165/185
D743,586 S *	11/2015	Bosua	D26/2

(73) Assignee: **APS JAPAN CO., LTD.**, Osaka-shi (JP)

(**) Term: **14 Years**

* cited by examiner

(21) Appl. No.: **29/521,167**

Primary Examiner — Ian Simmons

(22) Filed: **Mar. 20, 2015**

Assistant Examiner — Harold Blackwell, II

(30) **Foreign Application Priority Data**

(74) *Attorney, Agent, or Firm* — Kratz, Quintos & Hanson, LLP

Dec. 1, 2014 (JP) 2014-026780

(57) **CLAIM**

The ornamental design for a light emitting diode lamp, as shown and described.

(51) **LOC (10) Cl.** **26-04**

DESCRIPTION

(52) **U.S. Cl.**
USPC **D26/2**

FIG. 1 is a perspective view of the light emitting diode lamp showing our new design;
FIG. 2 is a front view thereof;
FIG. 3 is a back view thereof;
FIG. 4 is a right side view thereof;
FIG. 5 is a left side view thereof;
FIG. 6 is a plan view thereof;
FIG. 7 is a bottom view thereof; and,
FIG. 8 is an enlarged cross-sectional view taken along line 8-8 of FIG. 2.

(58) **Field of Classification Search**
USPC D26/1-4, 113, 118; 313/313, 315, 316,
313/317, 318, 493; 315/52, 53, 56, 57, 58
CPC F21K 9/135; F21K 9/1375; F21K 9/13;
F21K 9/00

See application file for complete search history.

1 Claim, 8 Drawing Sheets

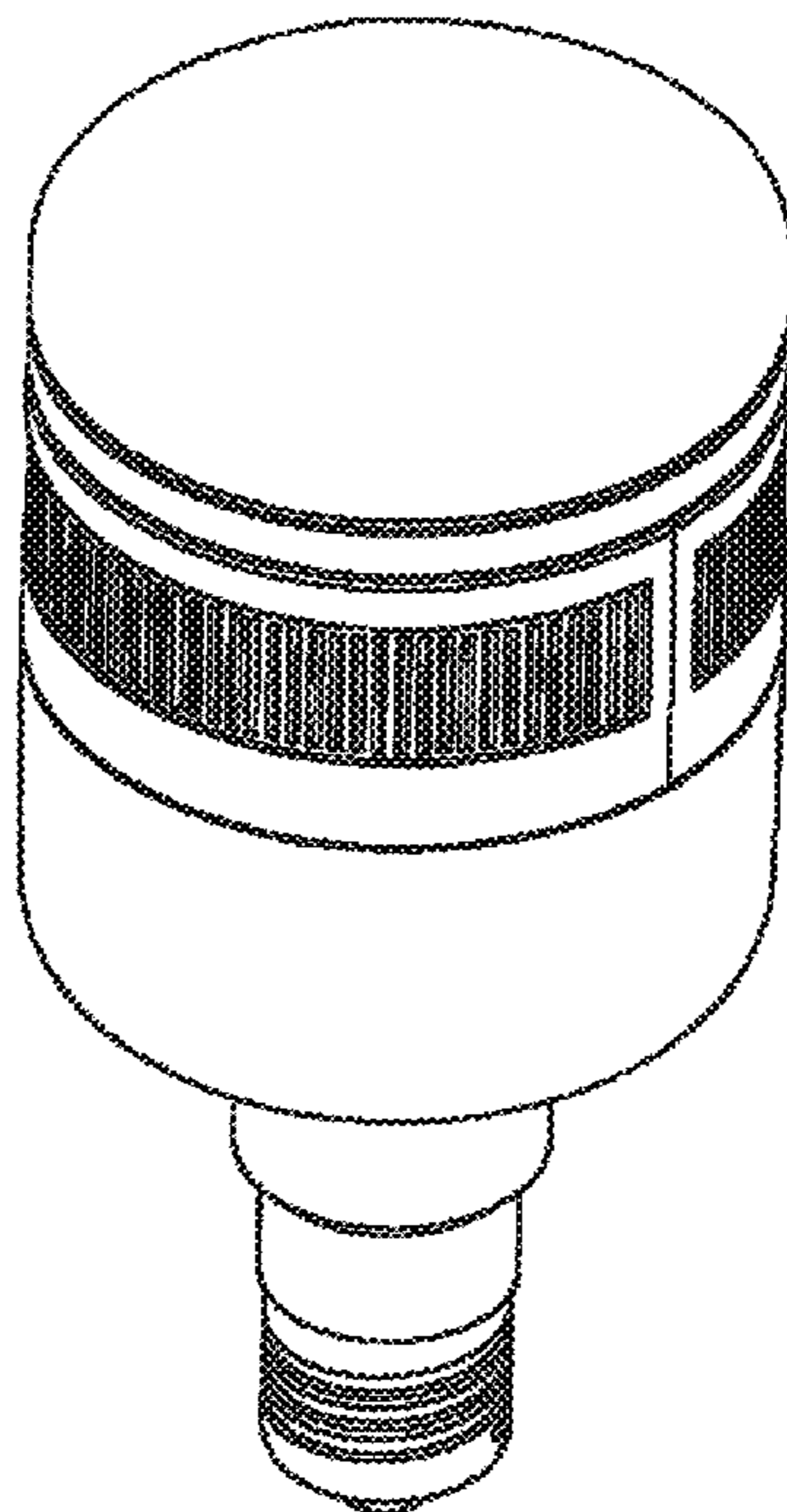


FIG. 1

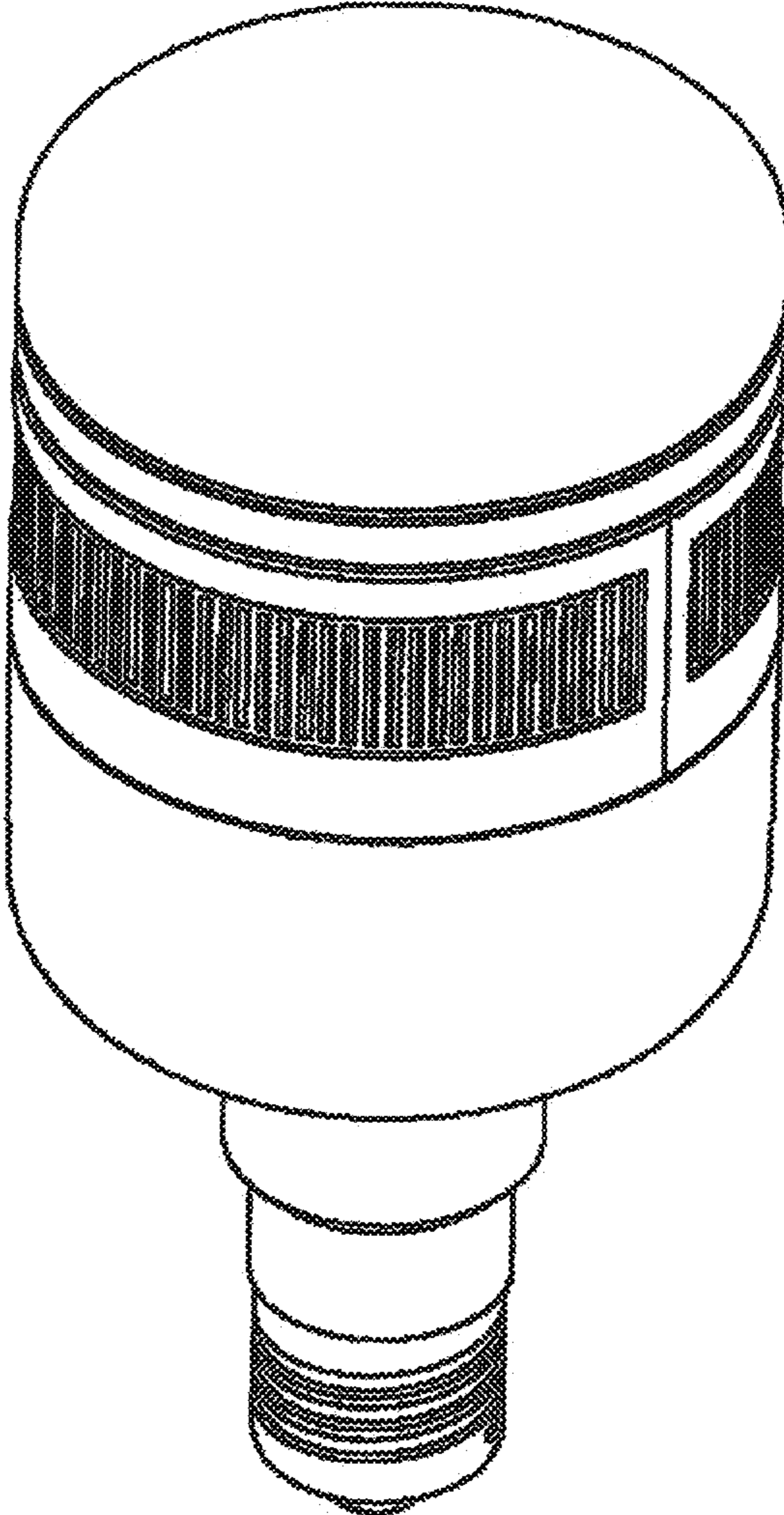


FIG. 2

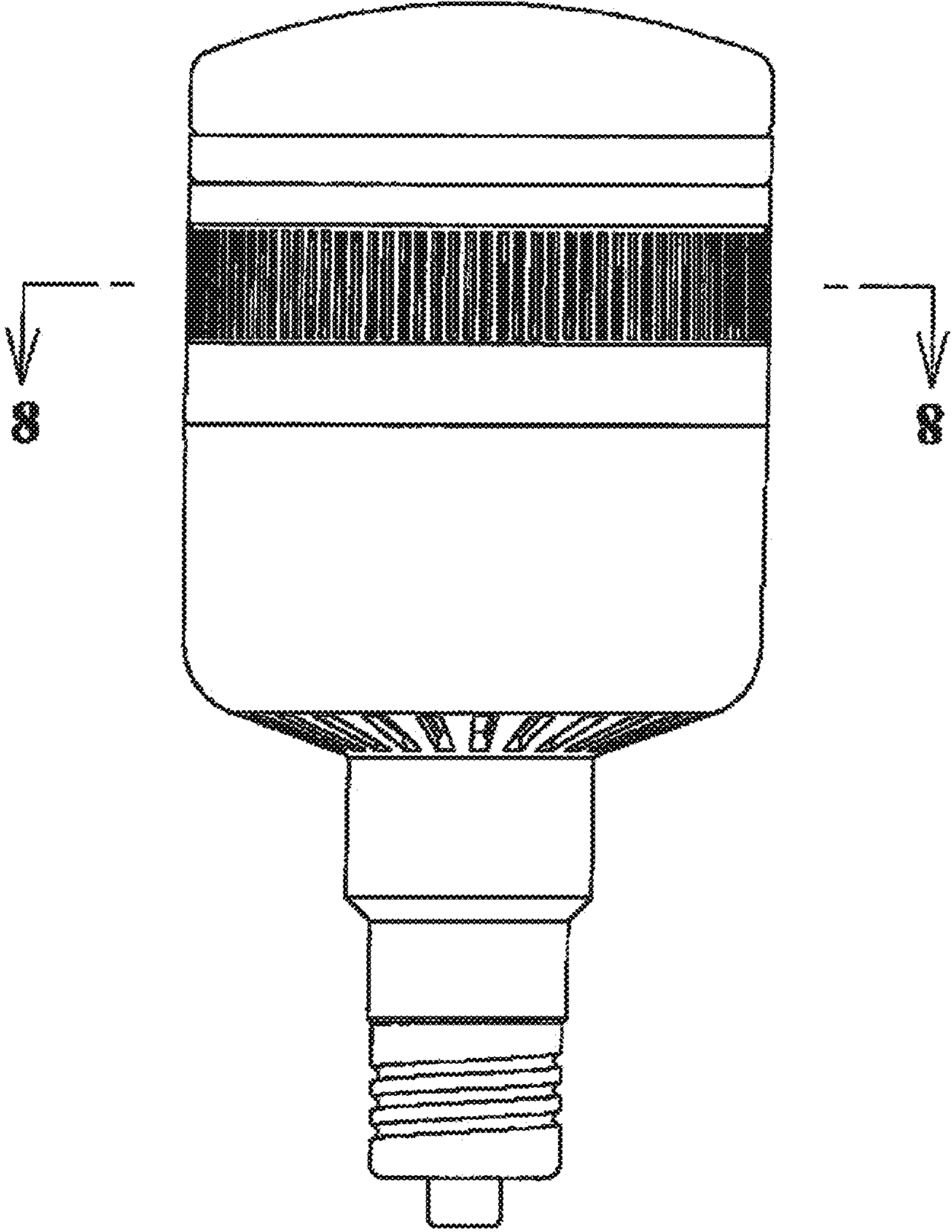


FIG. 3

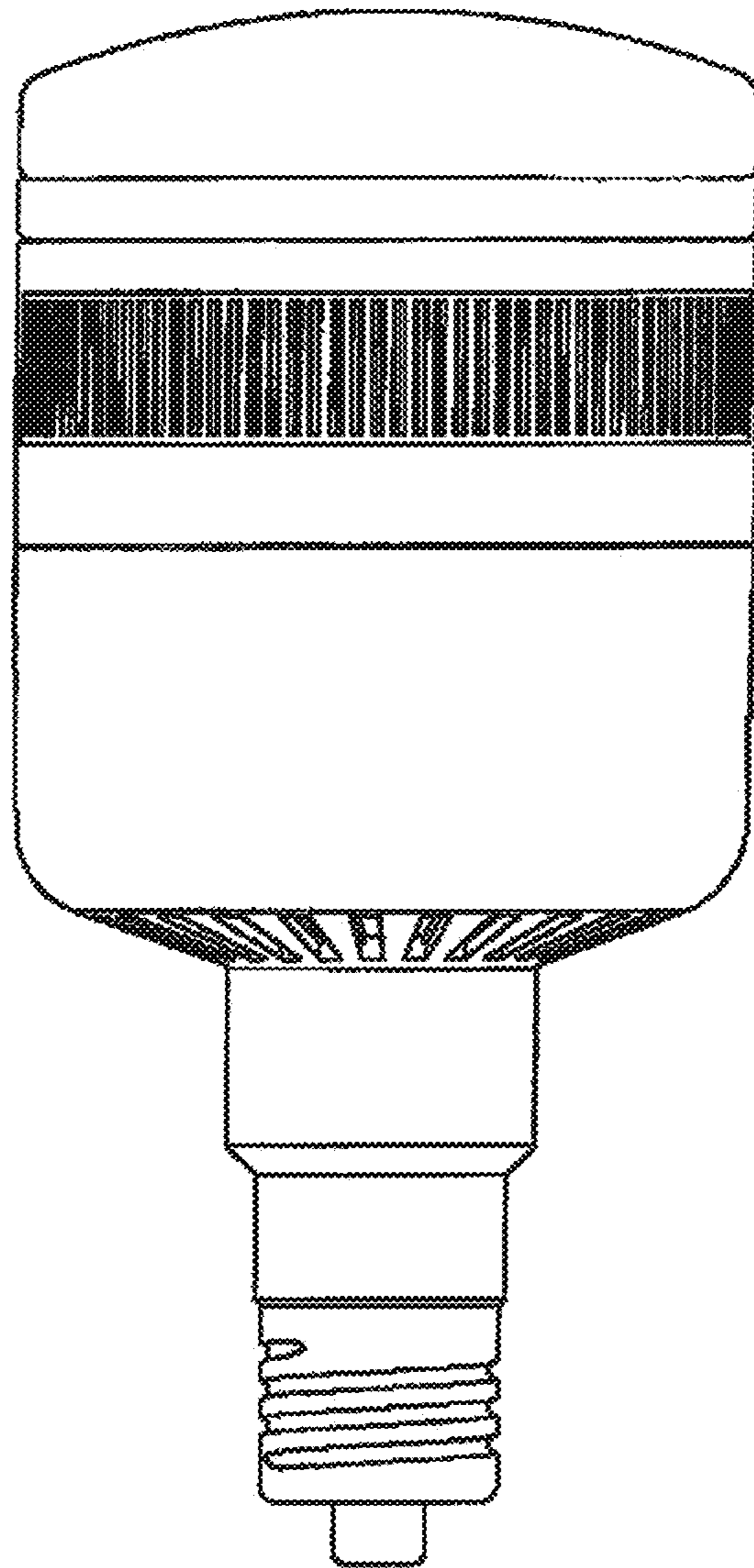


FIG. 4

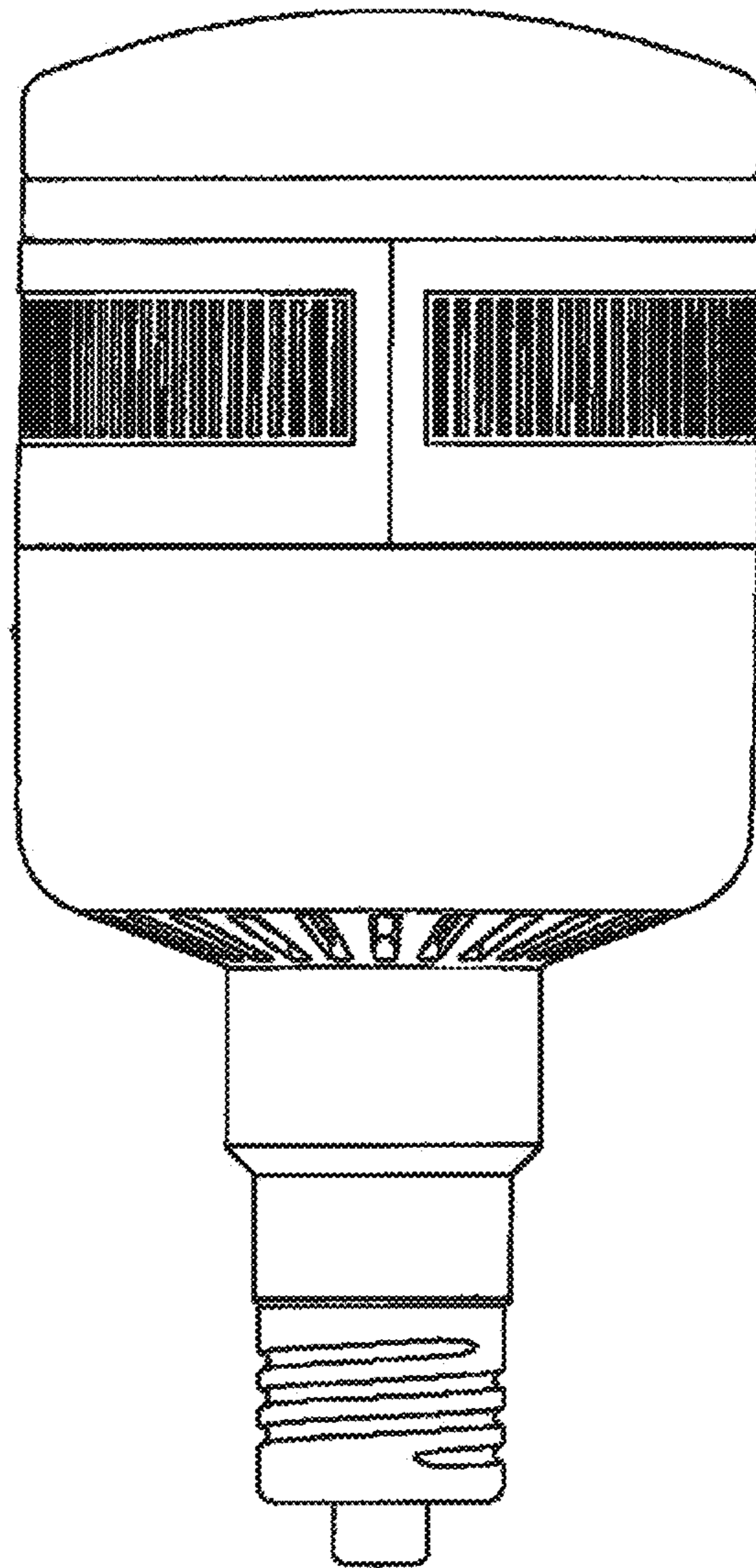


FIG. 5

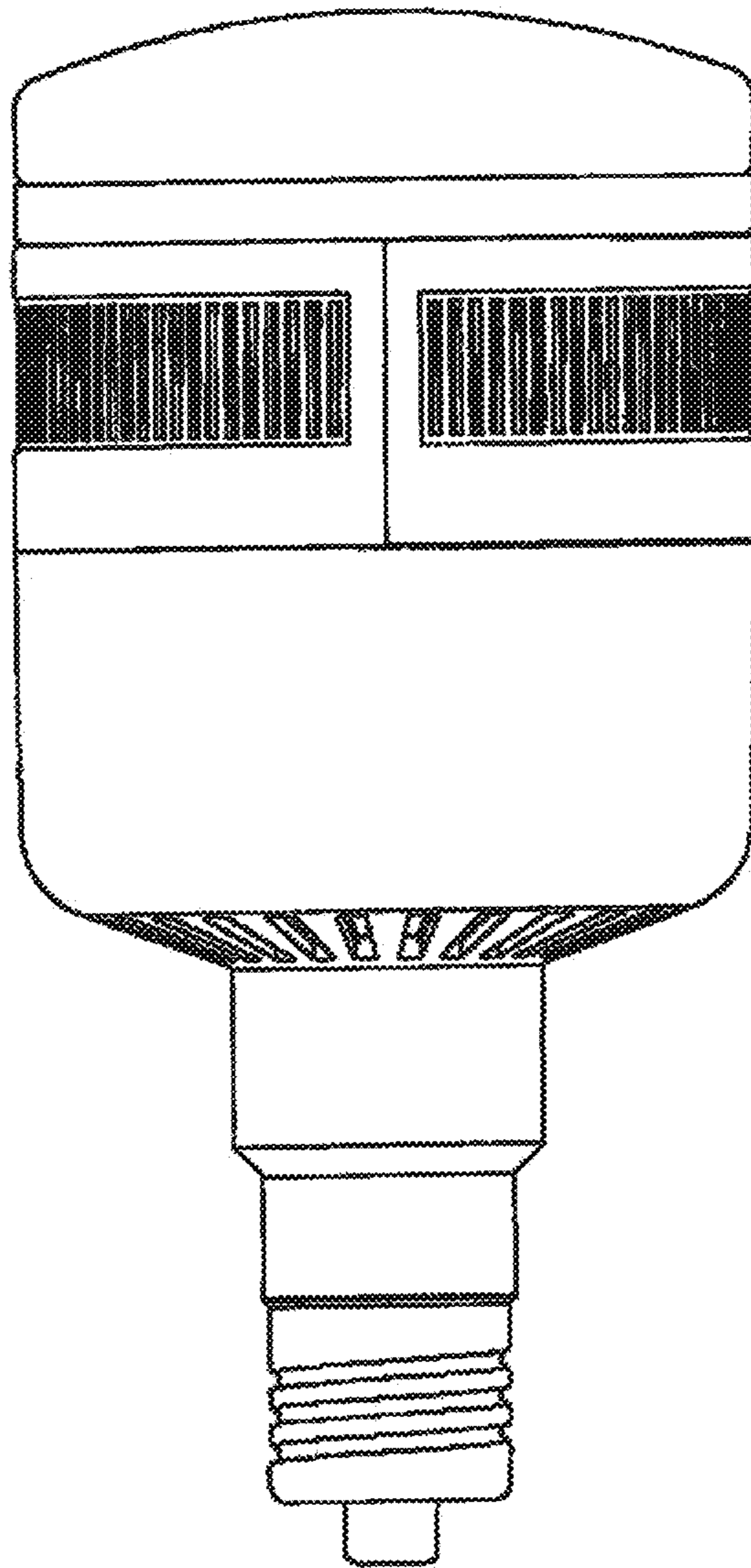


FIG. 6

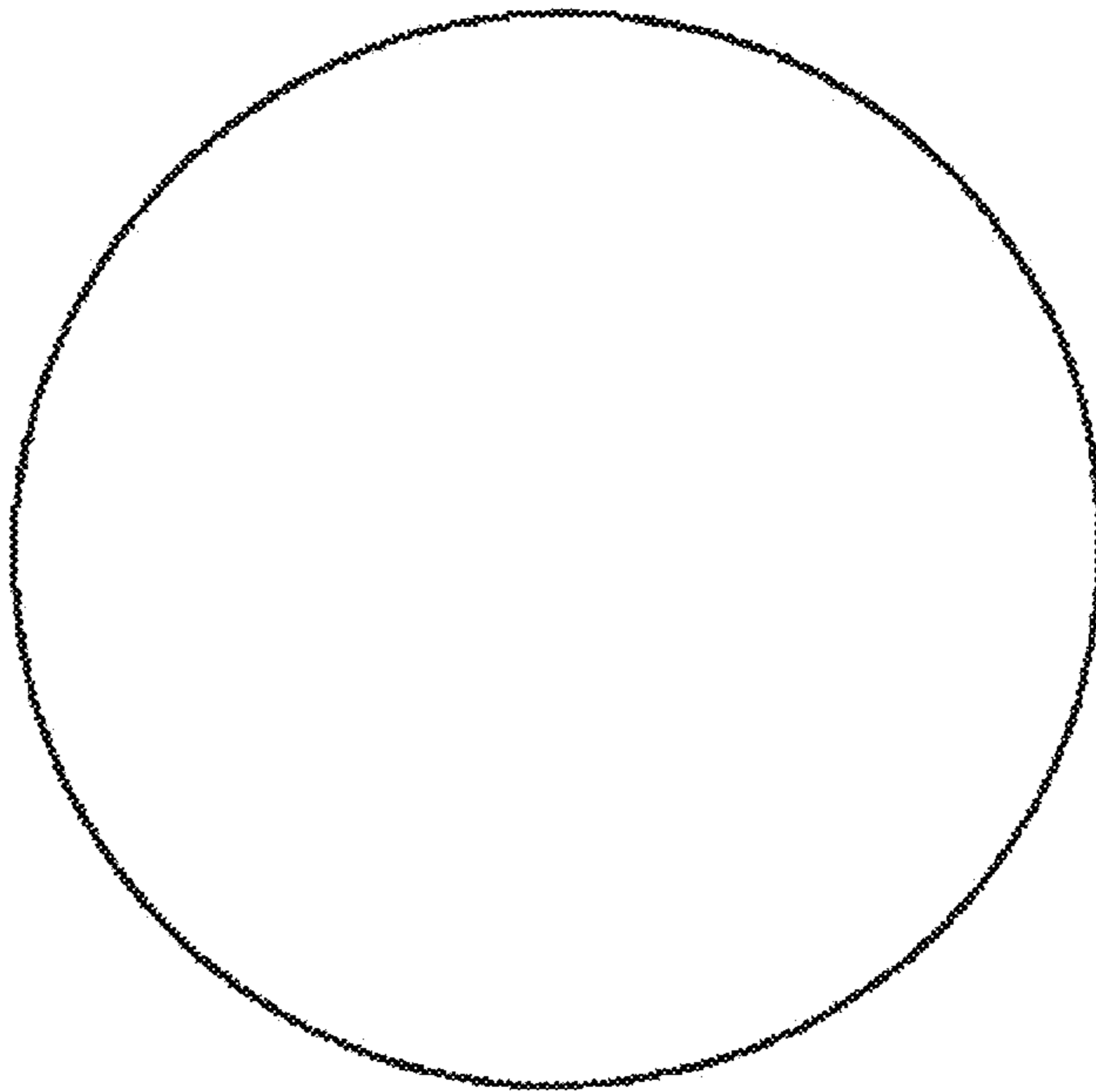


FIG. 7

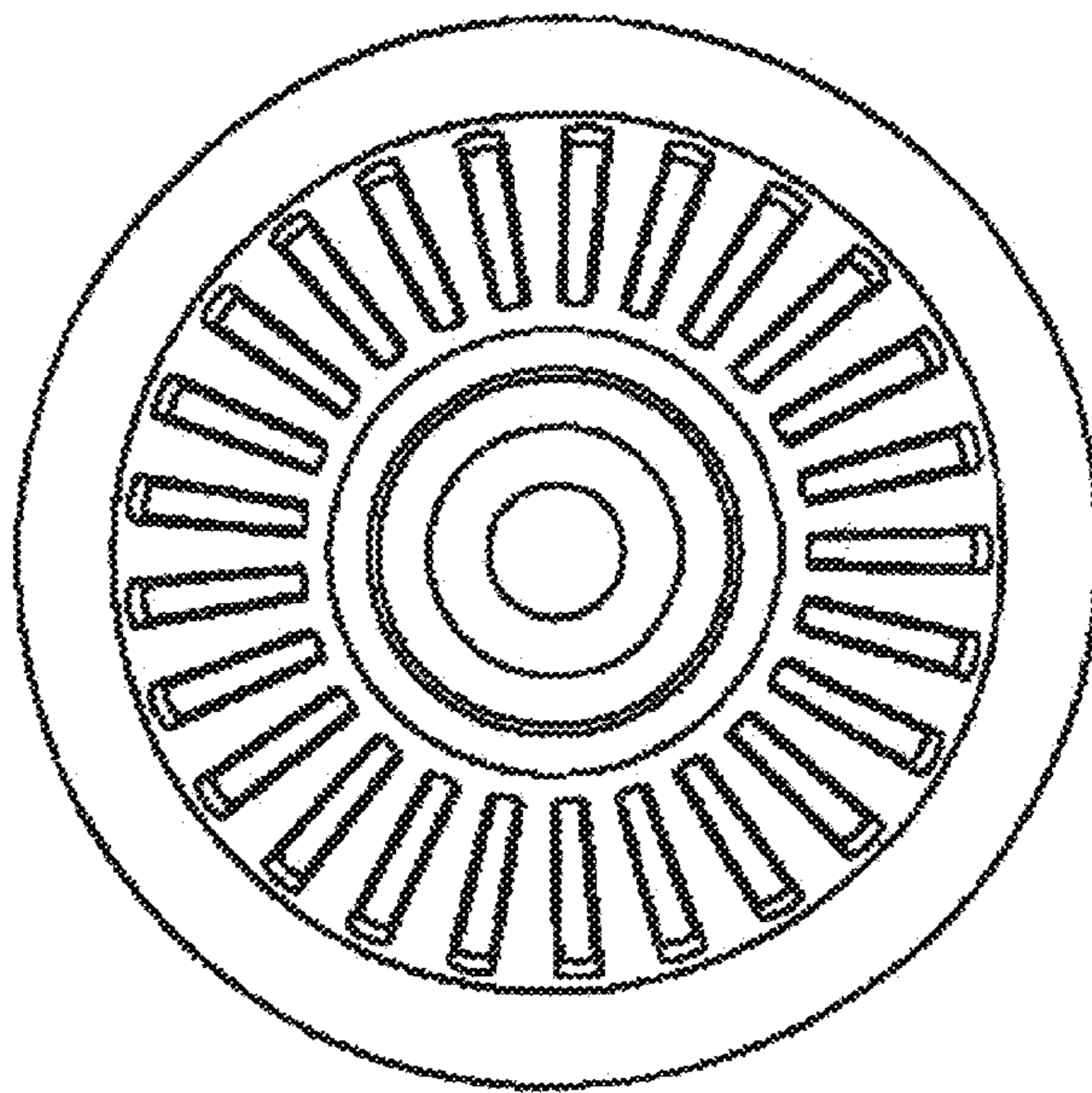


FIG. 8

