

US00D761444S

(12) **United States Design Patent**
Stacey et al.

(10) **Patent No.:** **US D761,444 S**
(45) **Date of Patent:** **** Jul. 12, 2016**

- (54) **STANCHION HANDLE**
- (71) Applicant: **M-R Products, Inc.**, Copemish, MI (US)
- (72) Inventors: **Dennis Stacey**, Copemish, MI (US);
Maree Mulvoy, Copemish, MI (US)
- (73) Assignee: **M-R Products, Inc.**, Copemish, MI (US)
- (**) Term: **14 Years**
- (21) Appl. No.: **29/490,688**
- (22) Filed: **May 12, 2014**
- (51) **LOC (10) Cl.** **25-01**
- (52) **U.S. Cl.**
USPC **D25/135**
- (58) **Field of Classification Search**
USPC D8/14, 105, 300, 349, 363, 367, 372;
D25/51, 126, 135
See application file for complete search history.

- D465,585 S * 11/2002 Venegas, Jr. D25/126
- D483,131 S * 12/2003 Tsai D25/131
- D492,422 S * 6/2004 De Lorenzo D25/48.6
- D606,212 S * 12/2009 O'Toole D25/135
- 8,827,231 B1 * 9/2014 Blair A63B 71/023
248/507
- 9,057,164 B2 * 6/2015 Kunkel E01F 13/028
- D734,877 S * 7/2015 Johnson D25/135
- 2005/0008433 A1 * 1/2005 Dvoracek E01F 13/028
404/9

* cited by examiner

Primary Examiner — Phillip S Hyder
(74) *Attorney, Agent, or Firm* — Fishman Stewart PLLC

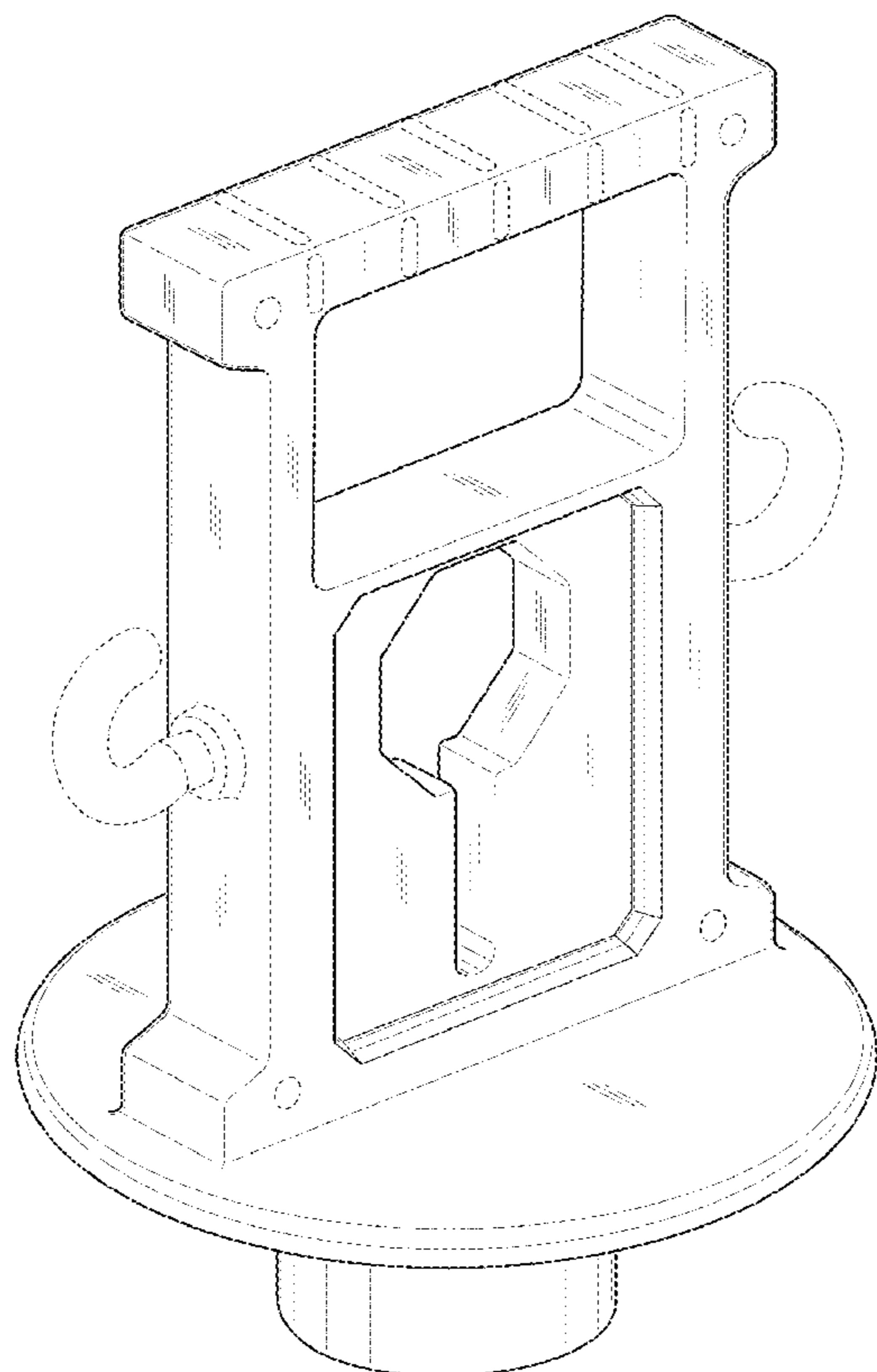
(57) **CLAIM**
The ornamental design for a stanchion handle, as shown and described.

DESCRIPTION

FIG. 1 is a top front perspective view of a stanchion handle; FIG. 2 is a bottom rear perspective view of a stanchion handle; FIG. 3 is a front view of a stanchion handle; FIG. 4 is a rear view of a stanchion handle; FIG. 5 is a top view of a stanchion handle; FIG. 6 is a bottom view of a stanchion handle; and, FIG. 7 is a side view of a stanchion handle. The broken lines depict portions of the stanchion handle in which the design is embodied that are not considered part of the claimed design.

1 Claim, 7 Drawing Sheets

- (56) **References Cited**
U.S. PATENT DOCUMENTS
4,844,420 A * 7/1989 Oster B65H 75/38
160/24
D374,086 S * 9/1996 Kabout D20/41



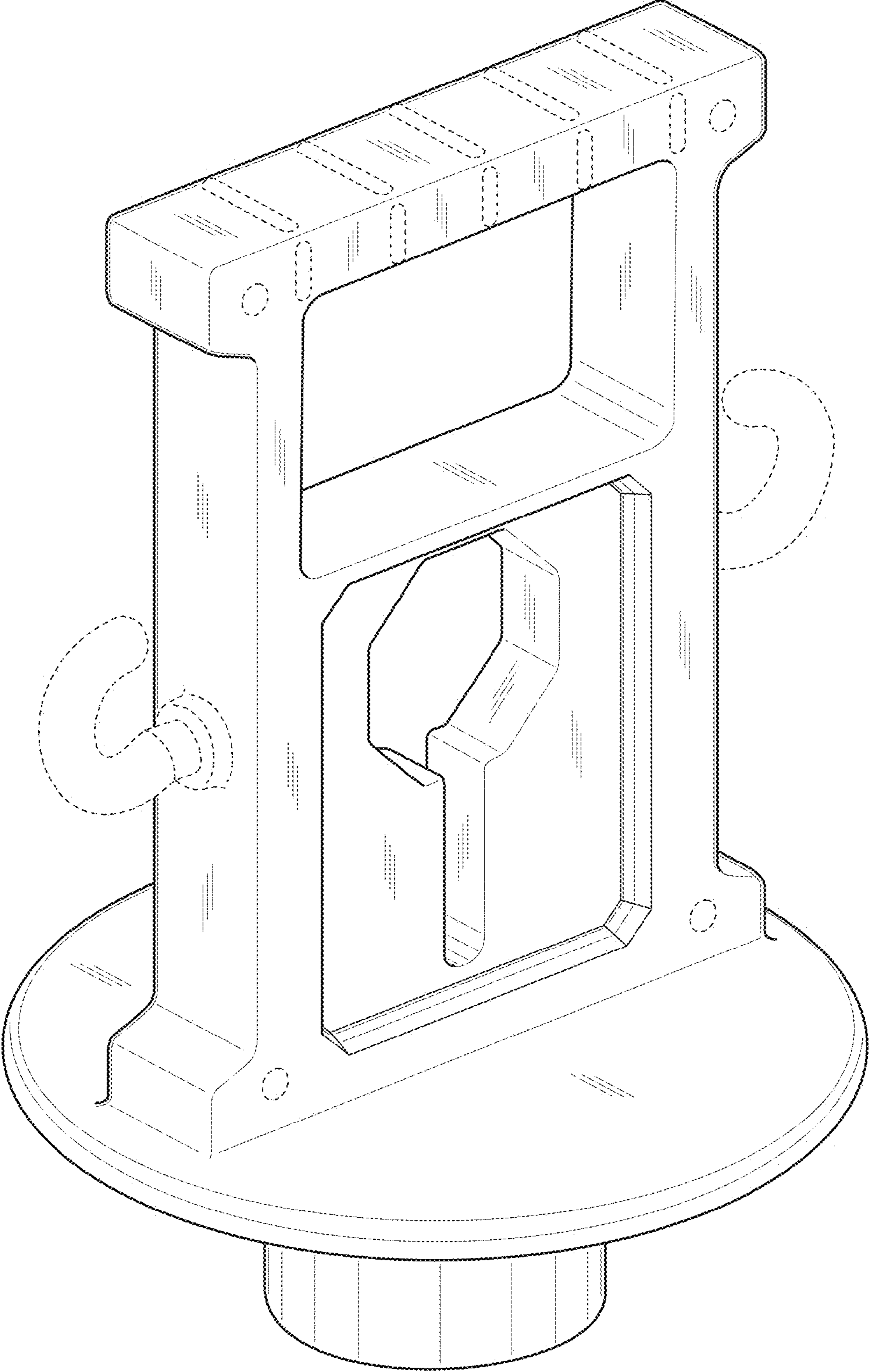


FIG. 1

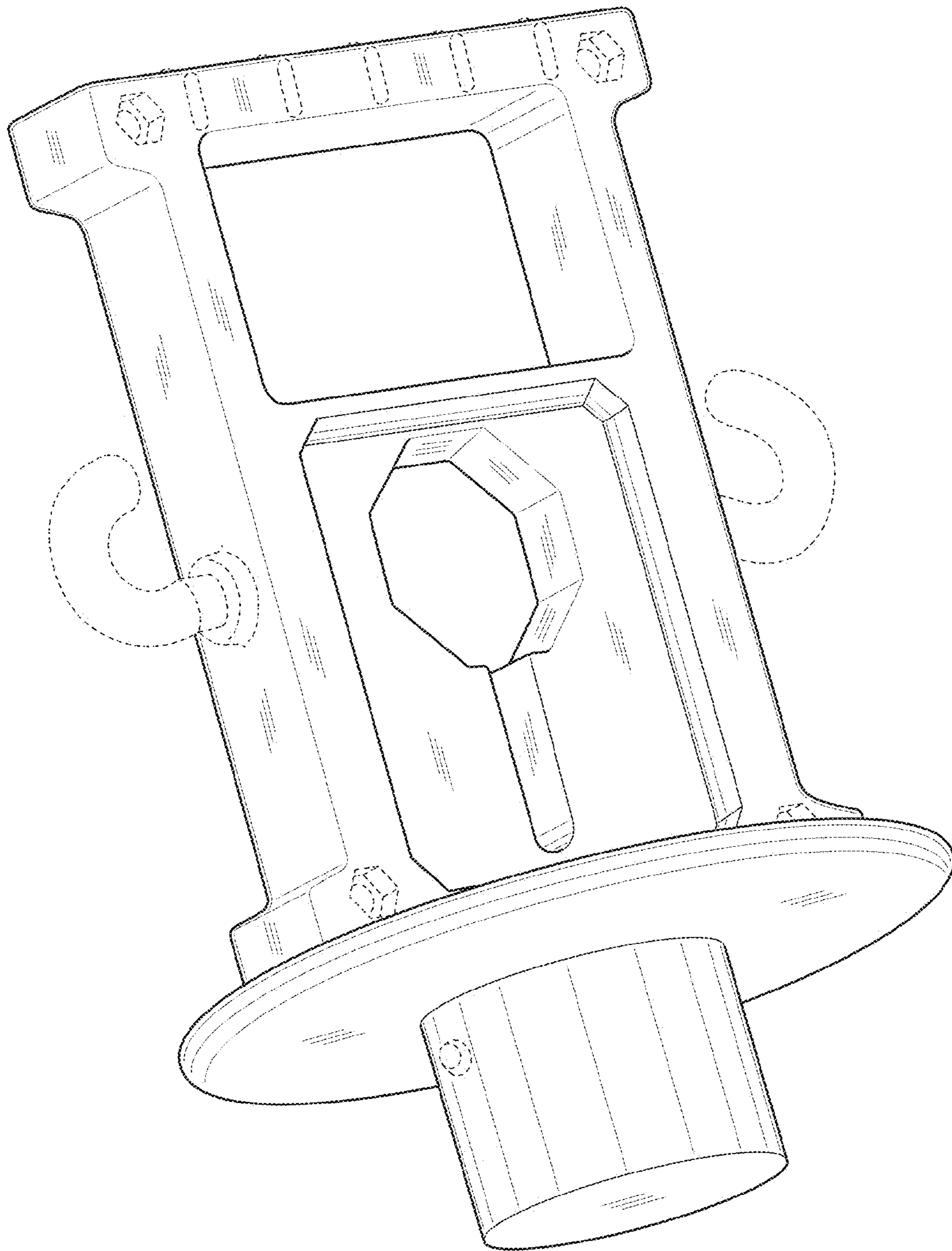


FIG. 2

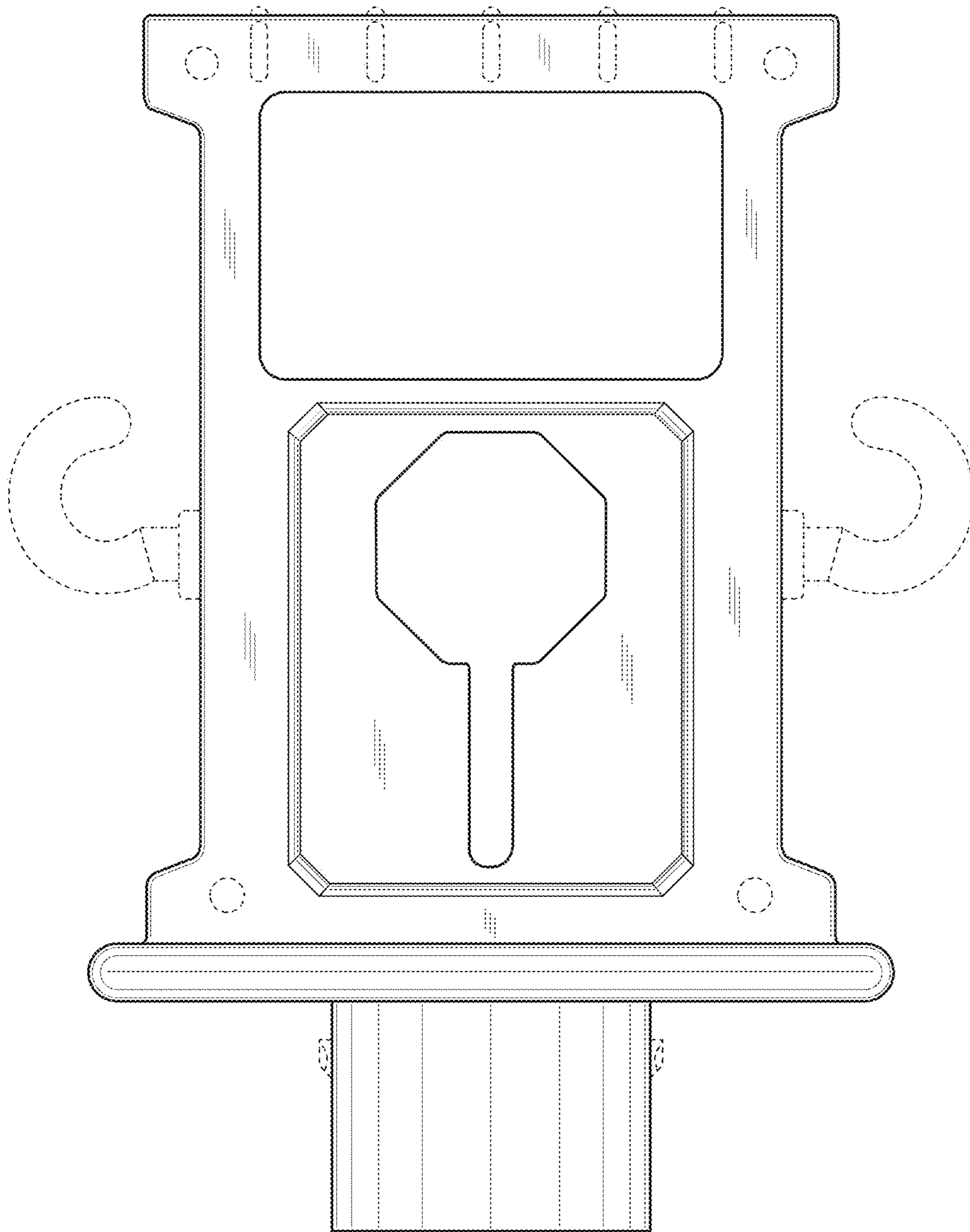


FIG. 3

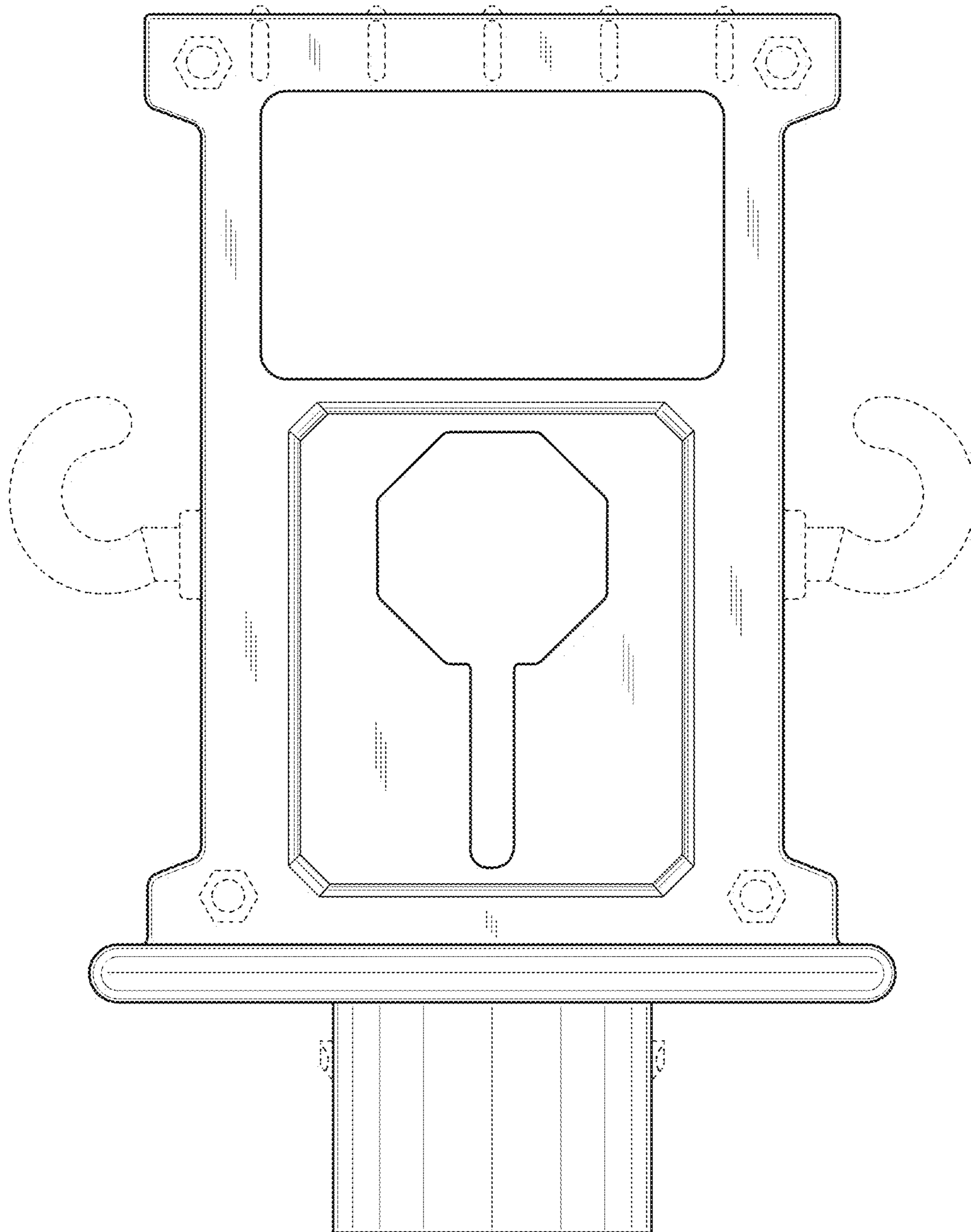


FIG. 4

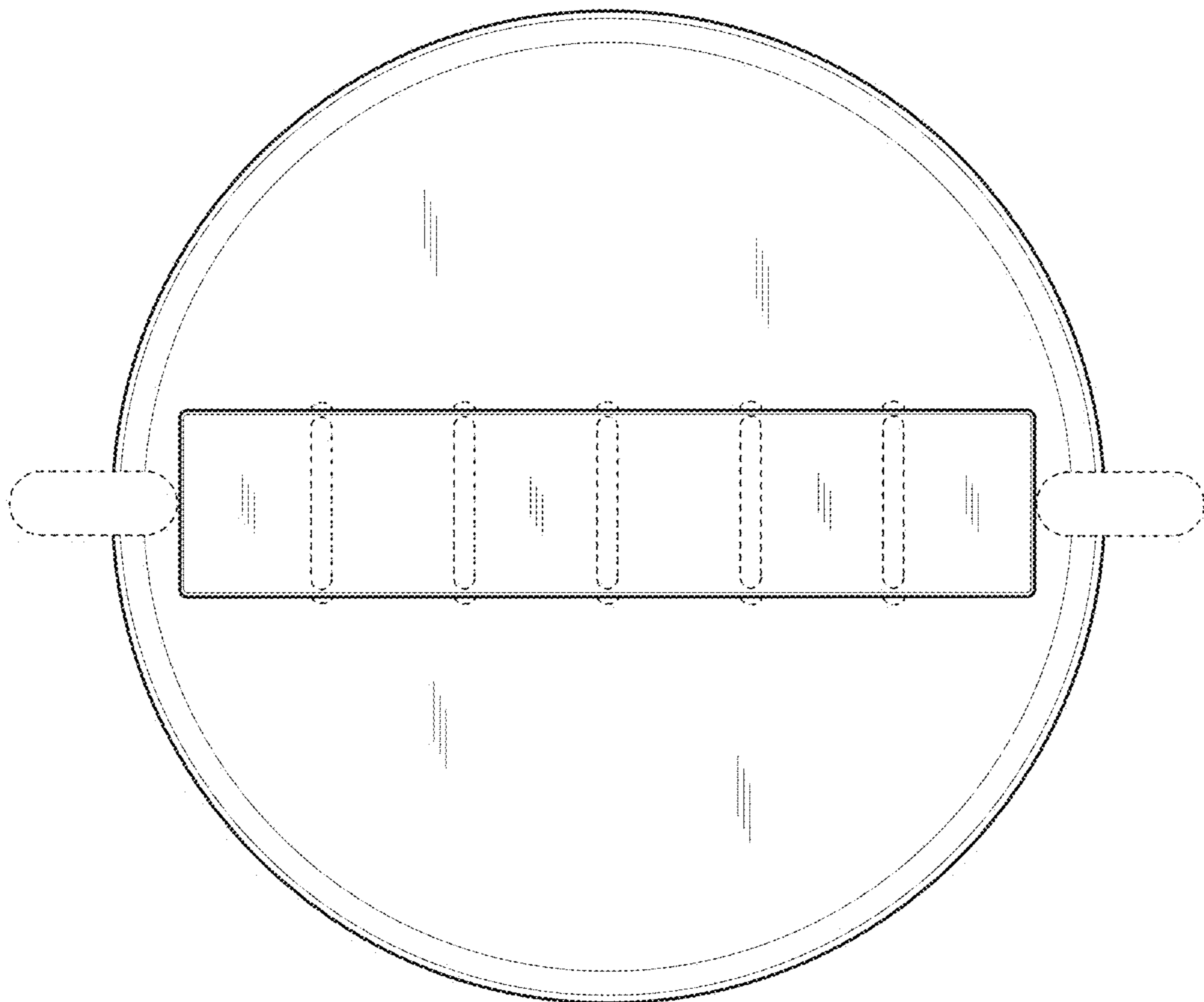


FIG. 5

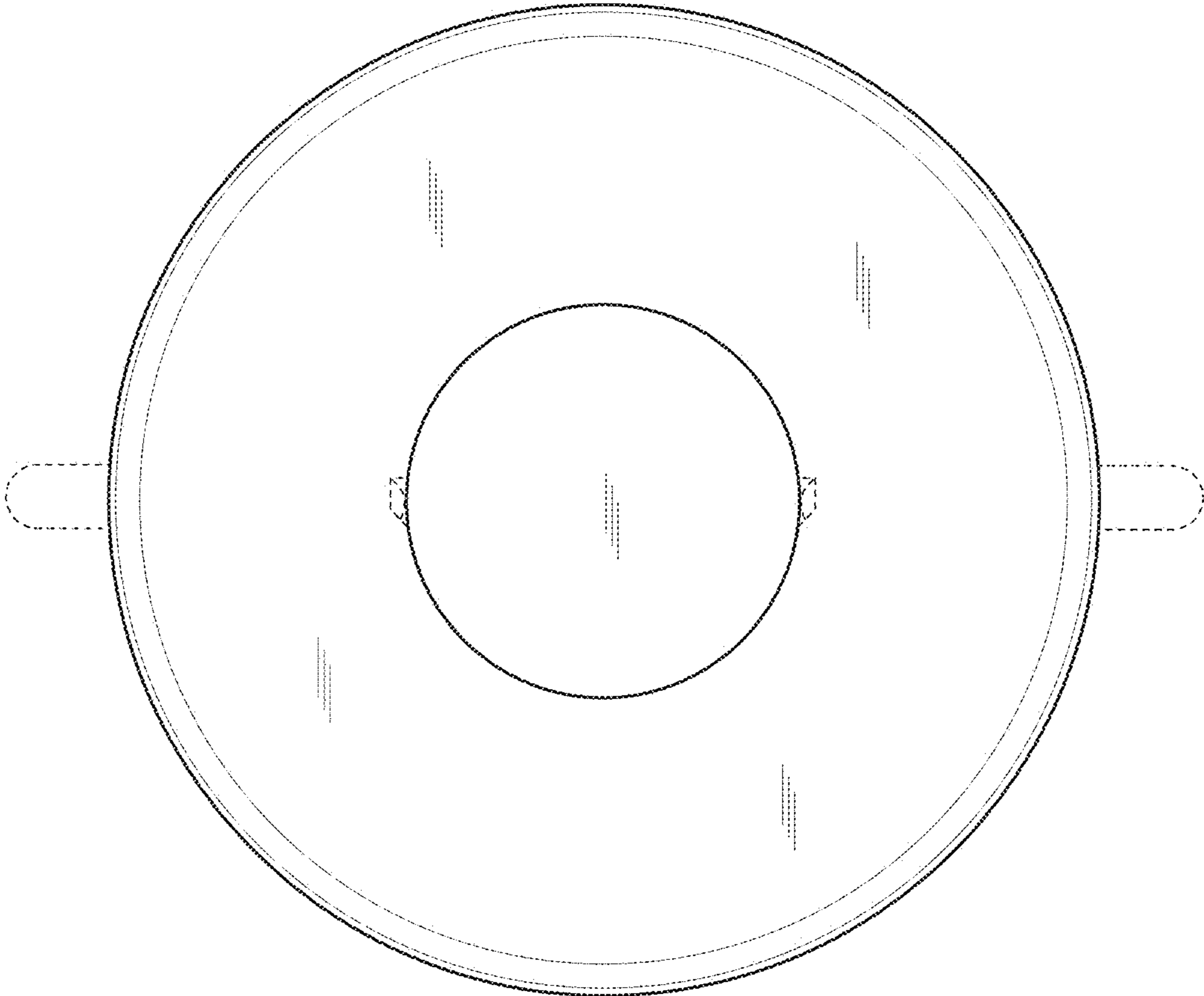


FIG. 6

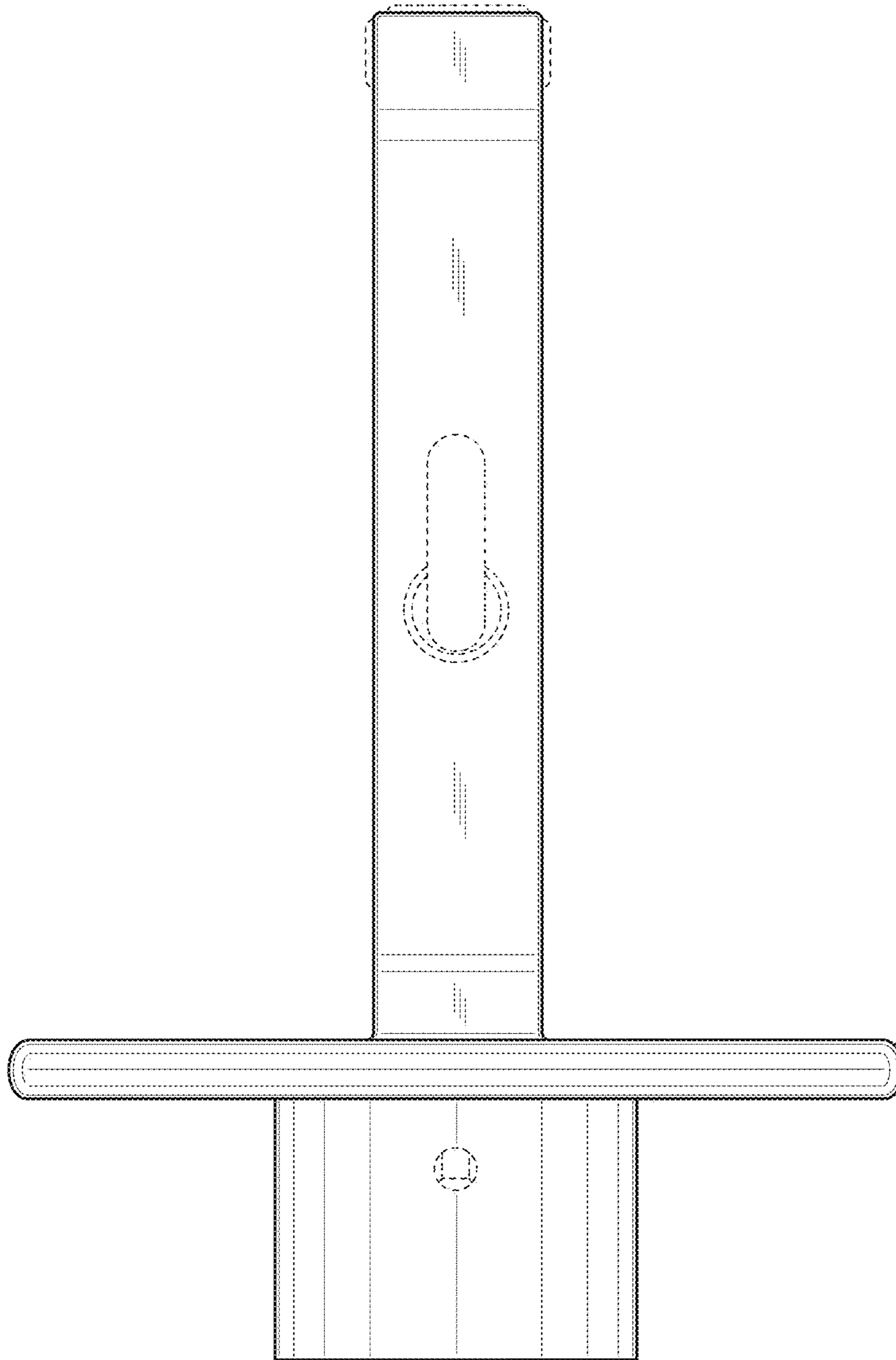


FIG. 7