



US00D761442S

(12) **United States Design Patent**  
**Aoi et al.**

(10) **Patent No.:** **US D761,442 S**  
(45) **Date of Patent:** **\*\* Jul. 12, 2016**

- (54) **STEPLADDER**
- (71) Applicants: **Tokuo Aoi**, Kakamigahara (JP); **Tazuko Aoi**, Kakamigahara (JP)
- (72) Inventors: **Tokuo Aoi**, Kakamigahara (JP); **Tazuko Aoi**, Kakamigahara (JP)
- (\*\*) Term: **14 Years**
- (21) Appl. No.: **29/511,512**
- (22) Filed: **Dec. 11, 2014**
- (30) **Foreign Application Priority Data**

Jul. 10, 2014 (JP) ..... 2014-015107

- (51) **LOC (10) Cl.** ..... **25-04**
- (52) **U.S. Cl.**  
USPC ..... **D25/68**

- (58) **Field of Classification Search**  
USPC ..... D25/62-69; 182/176, 124, 174, 172,  
182/111, 179, 181, 187, 115-116, 151, 166,  
182/170, 173, 96; 248/165, 188.7, 558,  
248/615, 354.1  
CPC ..... E06C 7/14; E06C 1/393; E06C 1/387;  
E06C 1/39; E06C 1/18; E06C 7/44; E06C  
1/22; E06C 7/423; E06C 1/20; E06C 1/382;  
E06C 7/083; E06C 7/08; E06C 7/081; E06C  
1/38; E06C 1/00; E06C 1/28  
See application file for complete search history.

(56) **References Cited**

**U.S. PATENT DOCUMENTS**

- |               |         |                  |                            |
|---------------|---------|------------------|----------------------------|
| 128,073 A     | 6/1872  | Roseborough, Jr. |                            |
| 767,257 A     | 8/1904  | Banks            |                            |
| 1,610,596 A   | 12/1926 | Bird             |                            |
| 1,641,906 A   | 9/1927  | Smith            |                            |
| 1,778,898 A * | 10/1930 | Konigsberg       | ..... E06C 1/20<br>182/124 |
| 1,783,616 A * | 12/1930 | Hachmuth         | ..... E06C 1/20<br>182/170 |
| 1,789,317 A   | 12/1931 | McLeish          |                            |
| 2,316,679 A   | 4/1943  | Evans            |                            |
| 2,391,466 A   | 12/1945 | Levin            |                            |

- |               |        |          |                            |
|---------------|--------|----------|----------------------------|
| 2,478,592 A   | 8/1949 | Nyberg   |                            |
| 2,612,335 A * | 9/1952 | Saltzman | ..... F16M 11/36<br>135/79 |
| 2,650,014 A   | 8/1953 | Harrison |                            |
- (Continued)

**FOREIGN PATENT DOCUMENTS**

- |    |            |        |
|----|------------|--------|
| EP | 1079062 A2 | 2/2001 |
| FR | 881547 A   | 4/1943 |

(Continued)

**OTHER PUBLICATIONS**

International Preliminary Report on Patentability, PCT/JP2014/051998, (Jan. 29, 2014), 6 pgs.

*Primary Examiner* — Cynthia Ramirez

*Assistant Examiner* — Gino Colan

(74) *Attorney, Agent, or Firm* — Schwegman Lundberg & Woessner, P.A.

(57) **CLAIM**

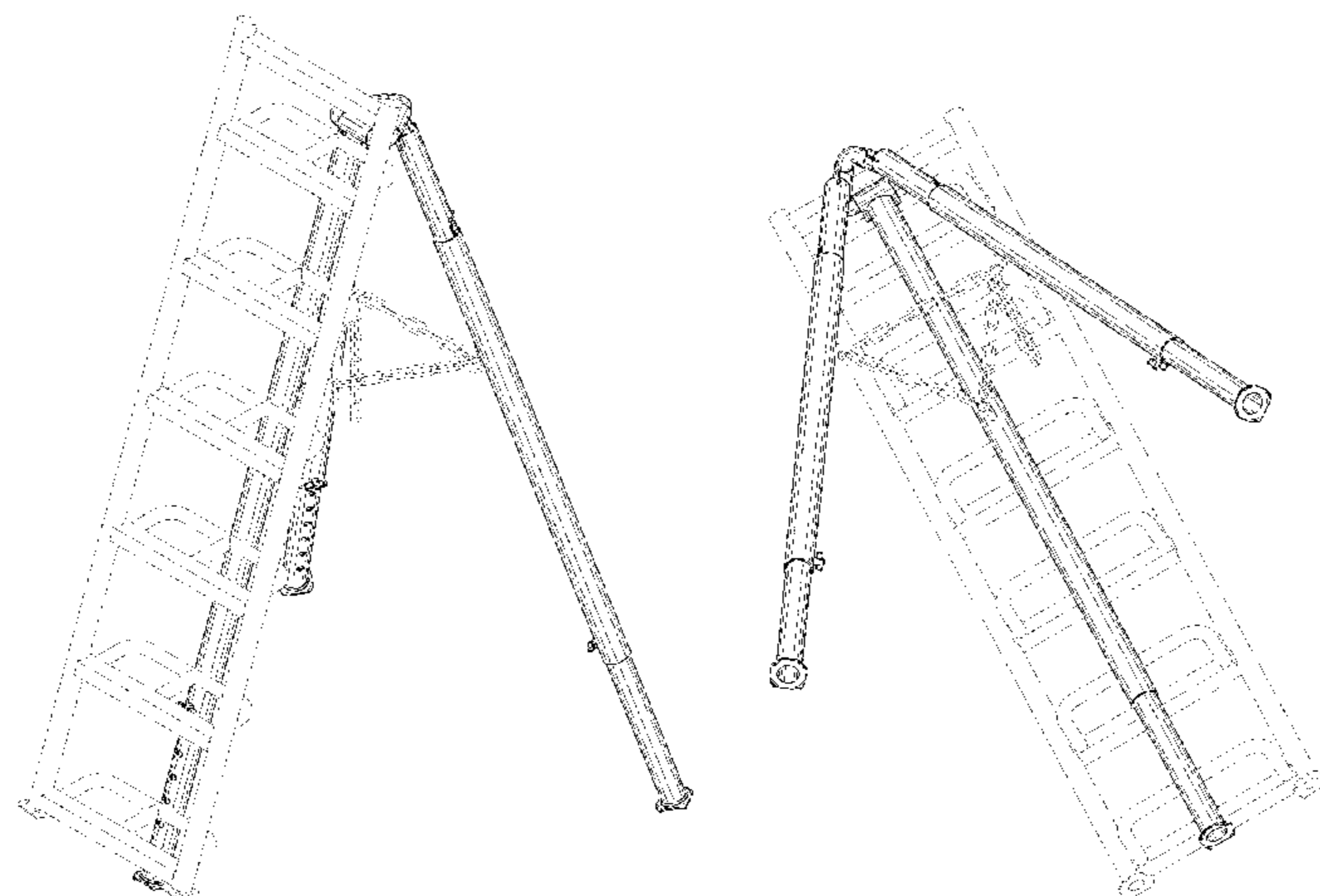
The ornamental design for a stepladder, as shown and described.

**DESCRIPTION**

FIG. 1 is a front perspective view of a stepladder showing our new design;  
 FIG. 2 is a bottom perspective view thereof;  
 FIG. 3 is a front view thereof;  
 FIG. 4 is a rear view thereof;  
 FIG. 5 is a top plan view thereof;  
 FIG. 6 is a bottom plan view thereof;  
 FIG. 7 is a right side view thereof;  
 FIG. 8 is a left side view thereof;  
 FIG. 9 is an exploded perspective view thereof;  
 FIG. 10 is a rear view thereof in a collapsed position; and,  
 FIG. 11 is a front view thereof, in which one of the legs is folded.

The features shown in broken lines in the drawings depict environmental subject matter only and form no part of the claimed design.

**1 Claim, 11 Drawing Sheets**



(56)

References Cited

U.S. PATENT DOCUMENTS

2,756,952 A 7/1956 Gazley  
 2,794,612 A 6/1957 Clifton  
 2,919,093 A 12/1959 Mooney  
 3,026,962 A 3/1962 Kramer  
 3,248,129 A 4/1966 Brown  
 3,269,486 A 8/1966 Machen  
 3,313,505 A 4/1967 Petrie  
 3,472,339 A 10/1969 Crisogono  
 3,540,549 A 11/1970 Emmons  
 3,967,694 A 7/1976 Woolfolk, Sr.  
 4,146,010 A \* 3/1979 Manska ..... A47J 37/0763  
 126/30  
 4,326,687 A 4/1982 Clyburn  
 4,524,849 A 6/1985 Riddle  
 4,726,349 A 2/1988 Gehrke  
 4,732,138 A 3/1988 Vos  
 4,899,849 A \* 2/1990 Levi ..... E06C 1/22  
 182/111  
 5,186,197 A 2/1993 Lavine  
 5,485,978 A \* 1/1996 Hernandez ..... A01M 31/02  
 182/151  
 5,520,360 A 5/1996 Wensman  
 5,685,391 A 11/1997 Gundlach  
 6,053,282 A 4/2000 Morisak  
 6,189,529 B1 2/2001 Shabazian et al.  
 D452,331 S \* 12/2001 Bohlman ..... D25/62  
 6,386,320 B1 5/2002 Clavel  
 6,668,975 B2 12/2003 Skipper

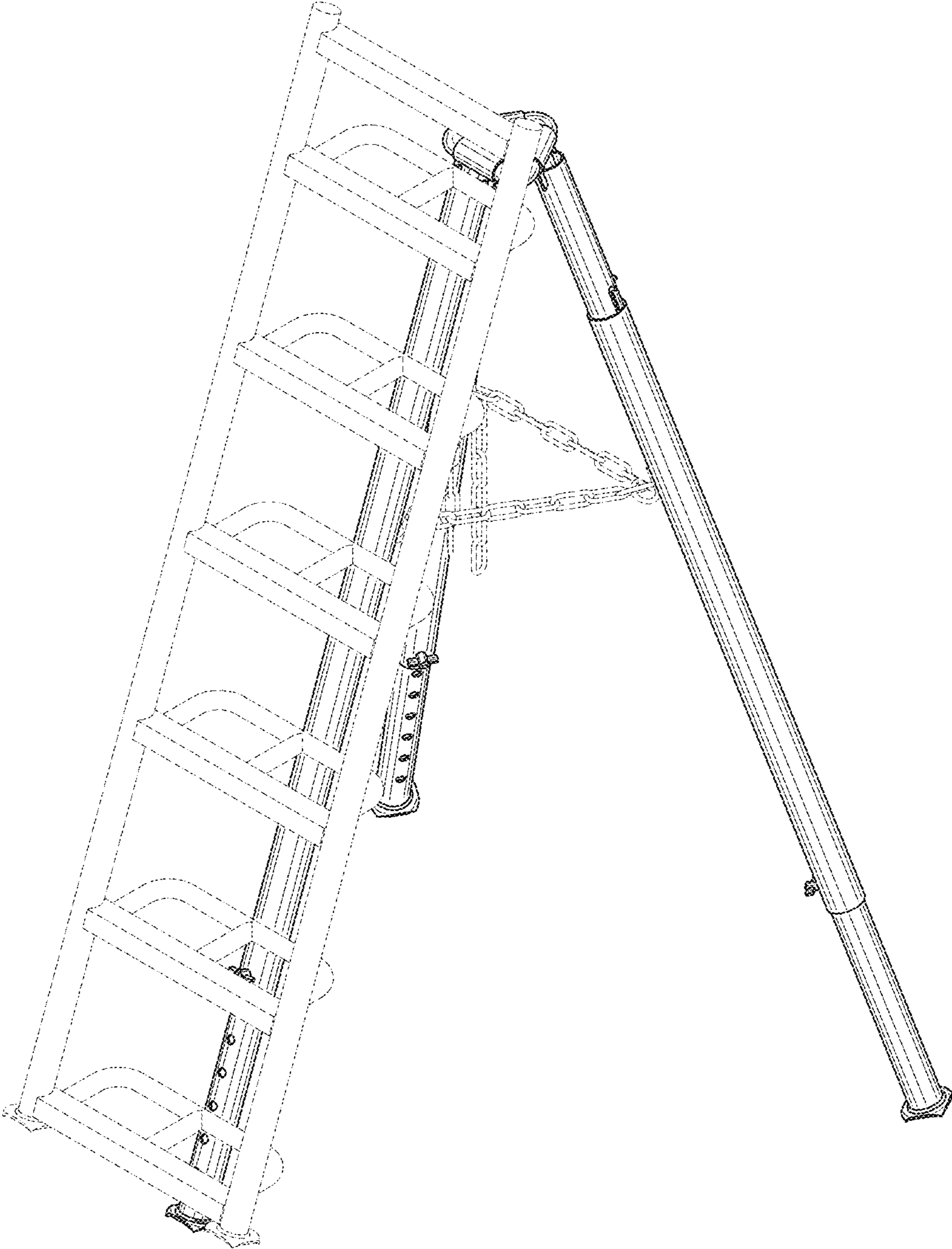
6,711,993 B2 3/2004 Robertson  
 7,063,006 B1 6/2006 Spehle et al.  
 7,207,533 B1 4/2007 Coleman et al.  
 7,513,470 B2 4/2009 Lomberk  
 7,581,703 B1 9/2009 Coleman et al.  
 8,695,762 B1 4/2014 Carter et al.  
 9,033,105 B1 5/2015 Boswell  
 9,151,112 B2 10/2015 Niemela  
 2007/0036640 A1 2/2007 Boudreaux  
 2007/0256892 A1 11/2007 Breedlove  
 2008/0223658 A1 \* 9/2008 Michalec ..... A01M 31/02  
 182/116  
 2011/0088969 A1 4/2011 Payne et al.  
 2011/0155886 A1 6/2011 Nakaniwa  
 2012/0168253 A1 \* 7/2012 McMurray ..... E06C 7/425  
 182/172  
 2013/0153297 A1 6/2013 Abney et al.  
 2015/0107146 A1 4/2015 Chaney  
 2015/0345219 A1 \* 12/2015 Aoi ..... E06C 1/18  
 182/176

FOREIGN PATENT DOCUMENTS

JP 62-52700 4/1987  
 JP 7-32198 6/1995  
 JP 3031542 9/1996  
 JP 09-112165 4/1997  
 JP 3111306 6/2005  
 JP 2005-282319 10/2005

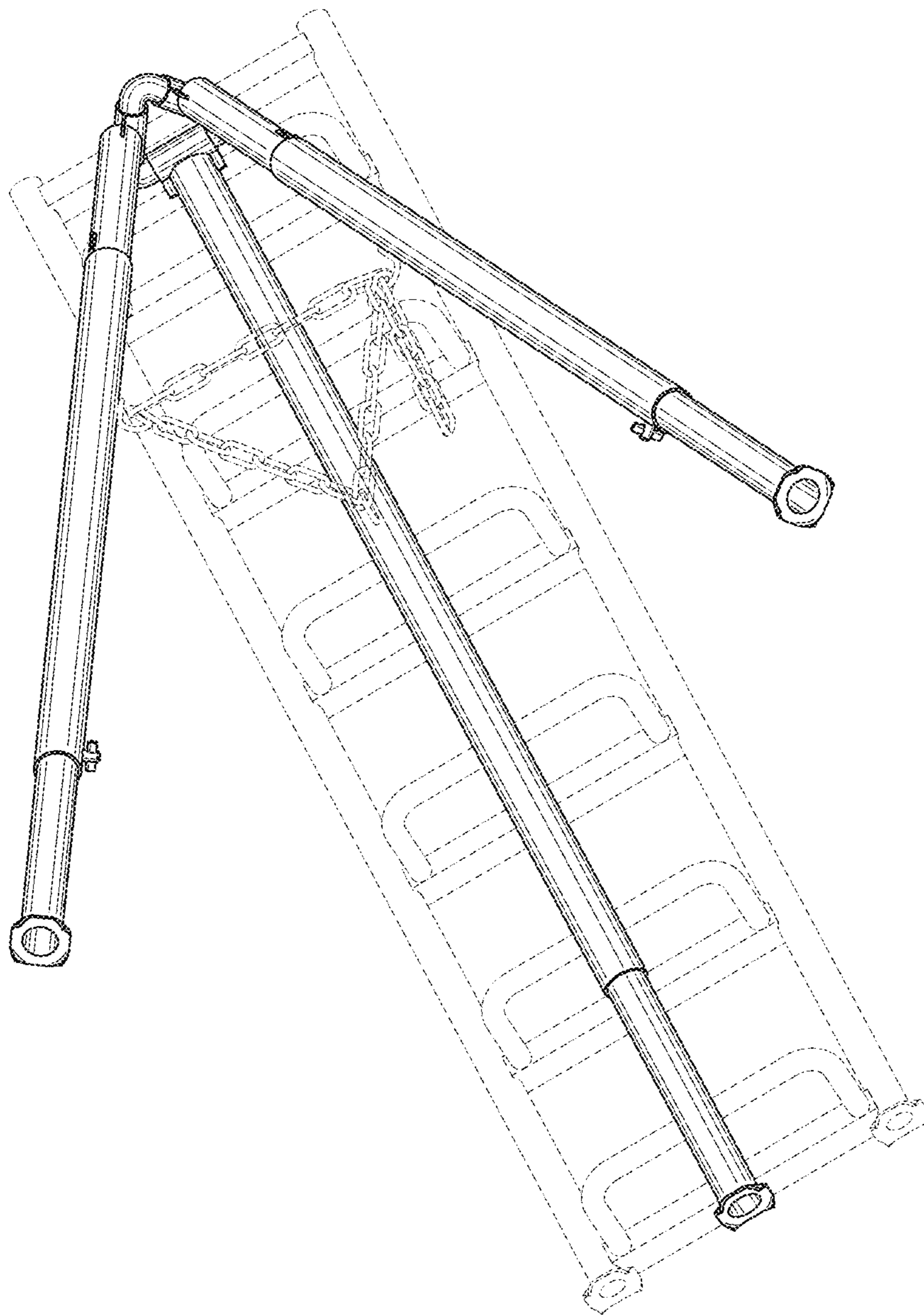
\* cited by examiner

**FIG. 1**

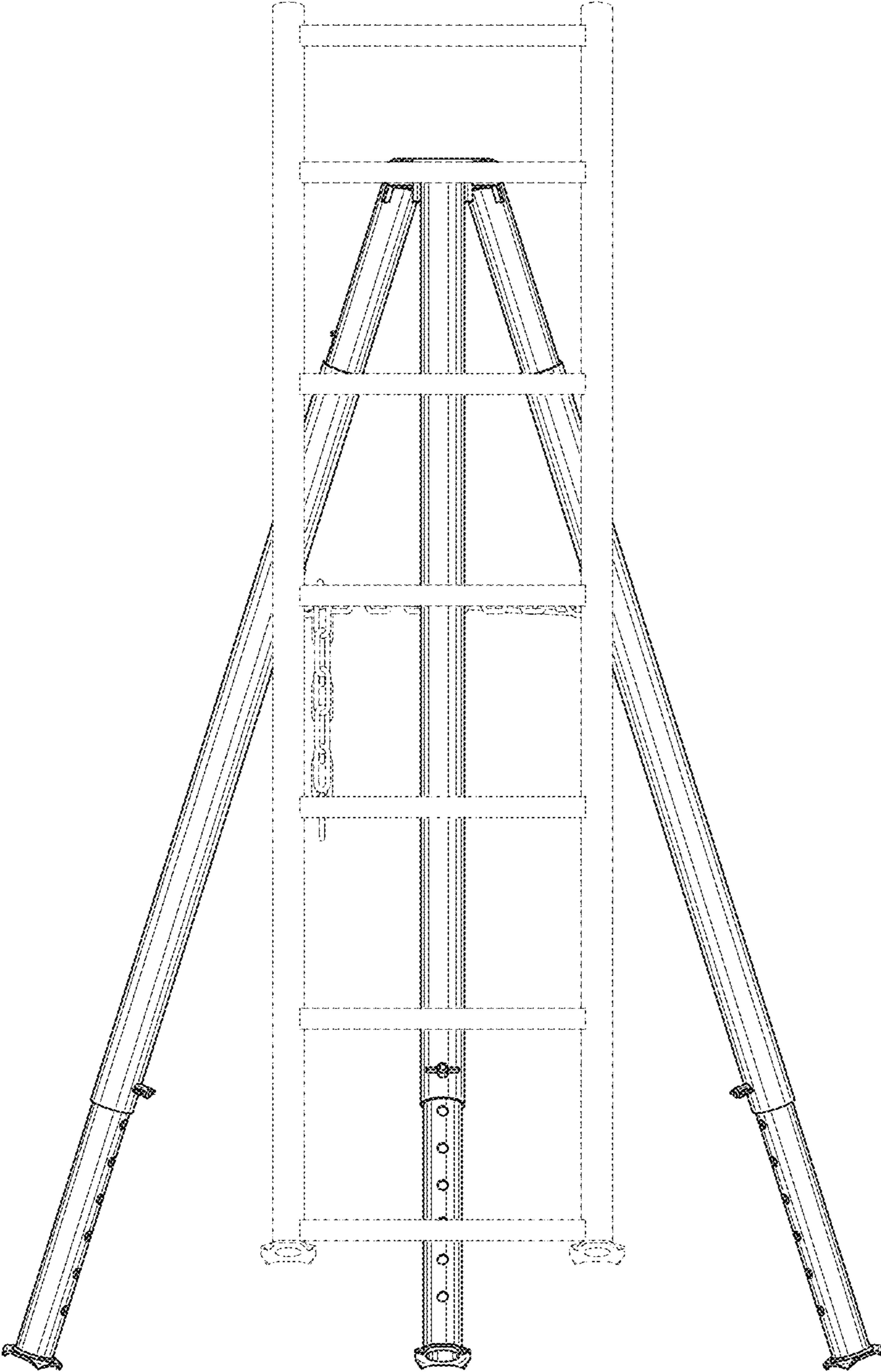




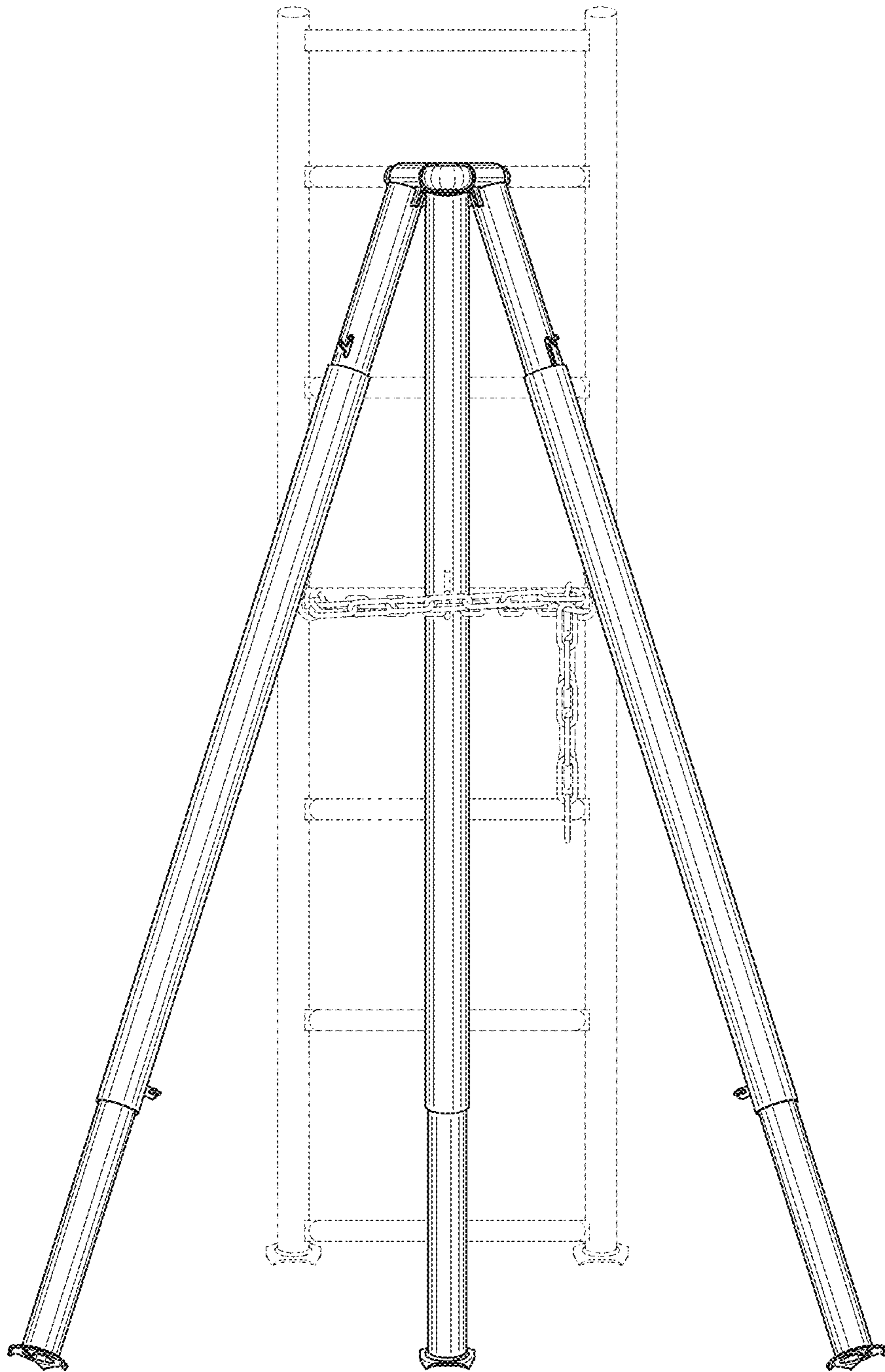
**FIG. 2**



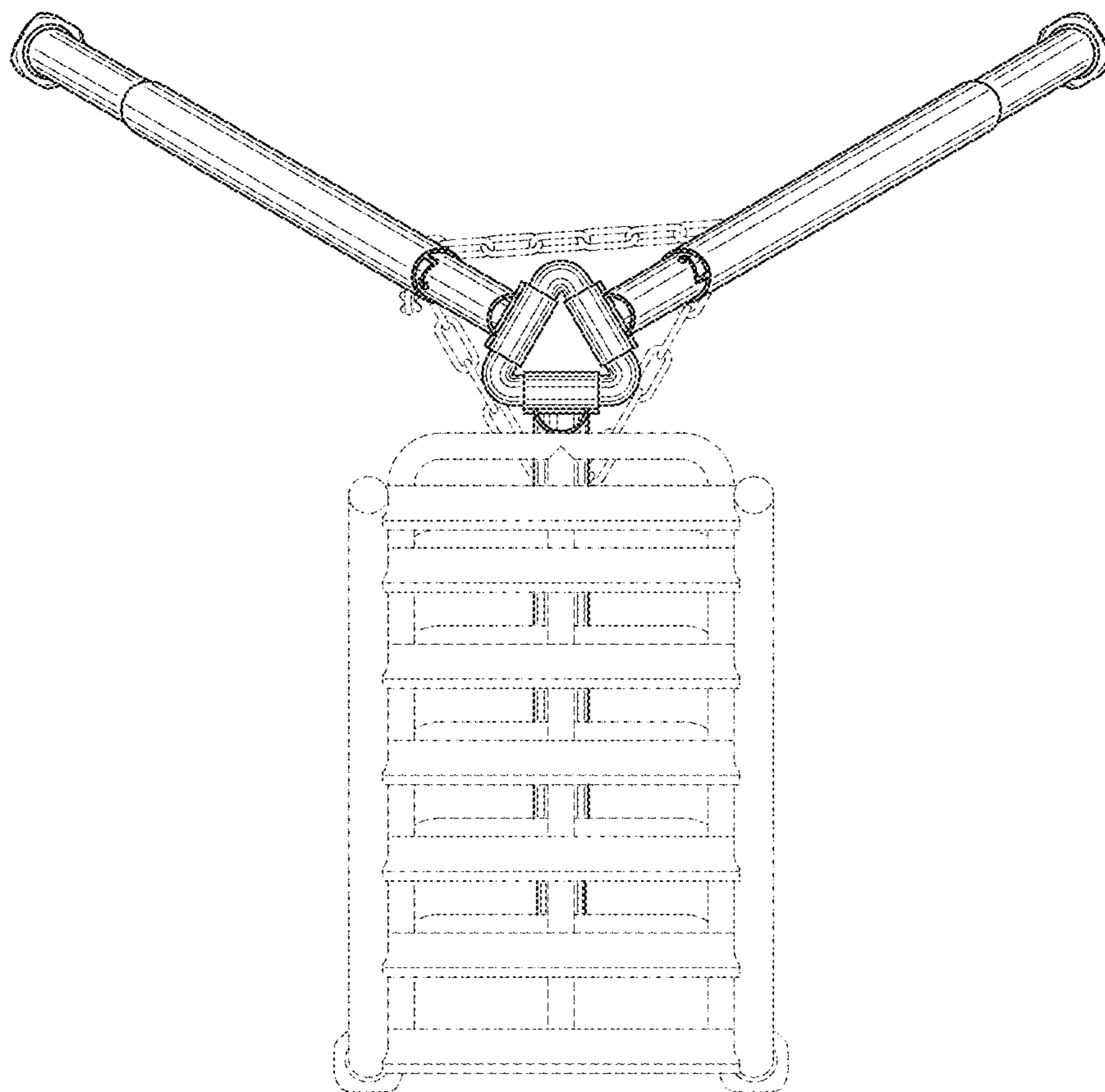
**FIG. 3**



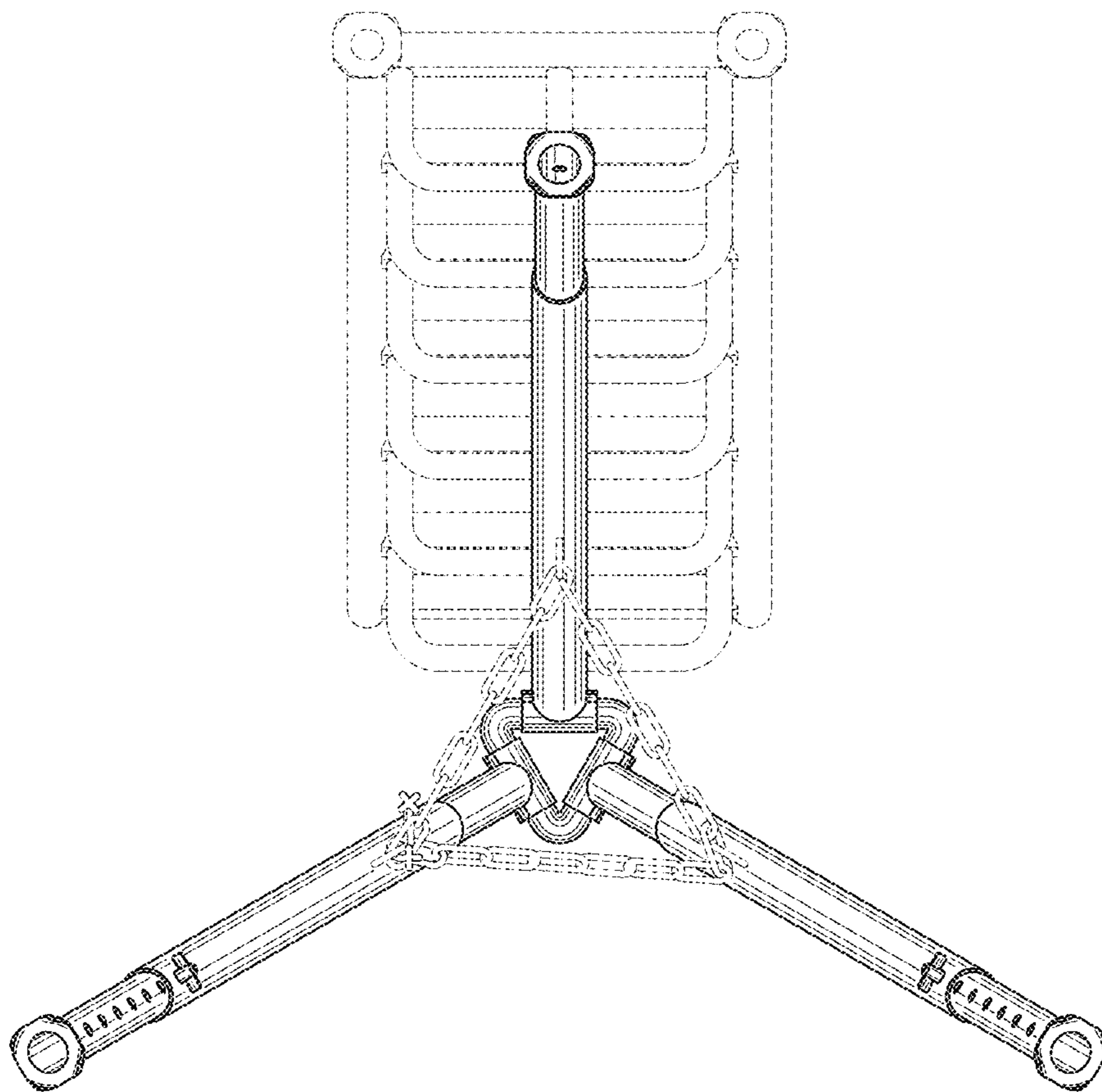
**FIG. 4**



**FIG. 5**

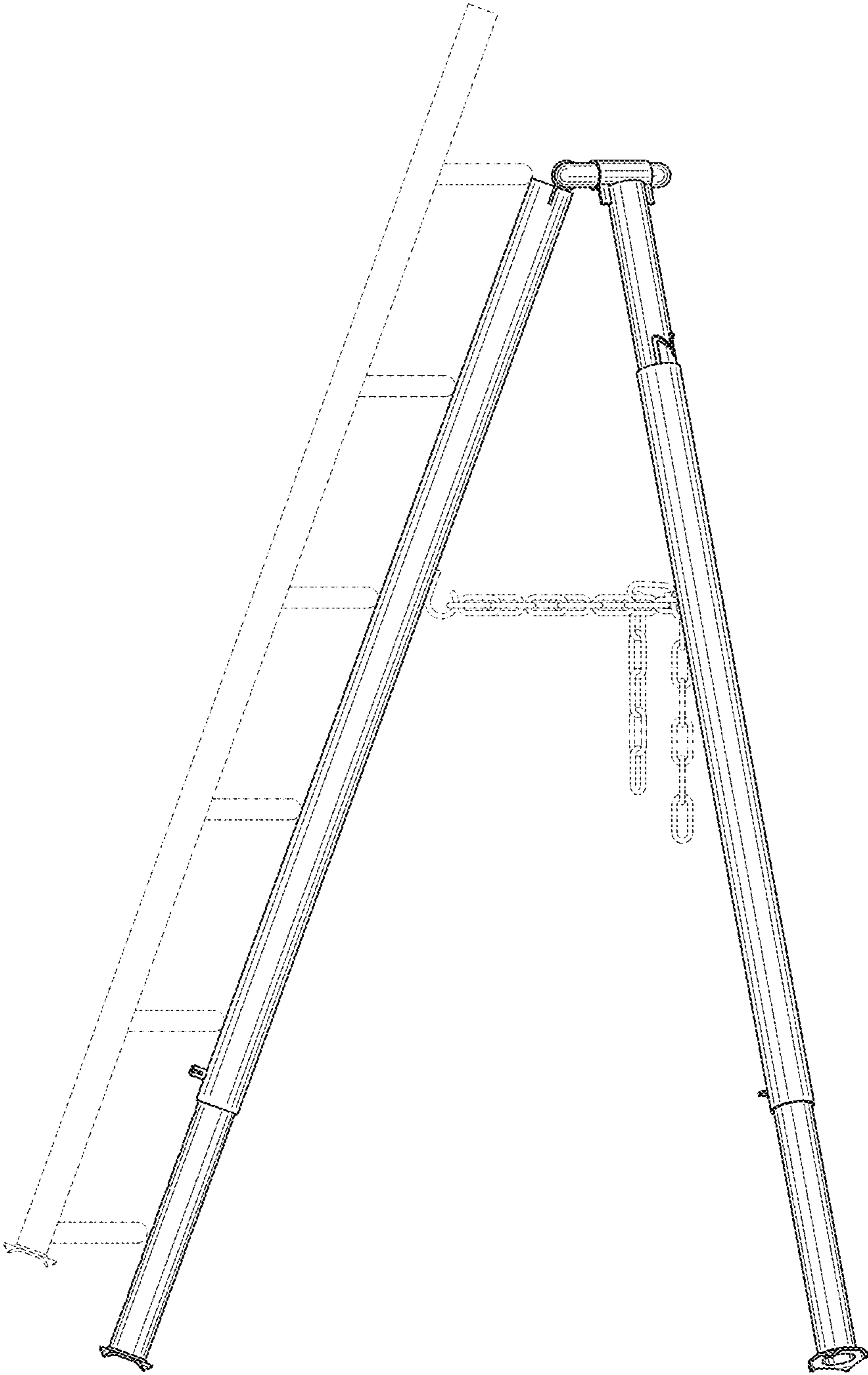


**FIG. 6**

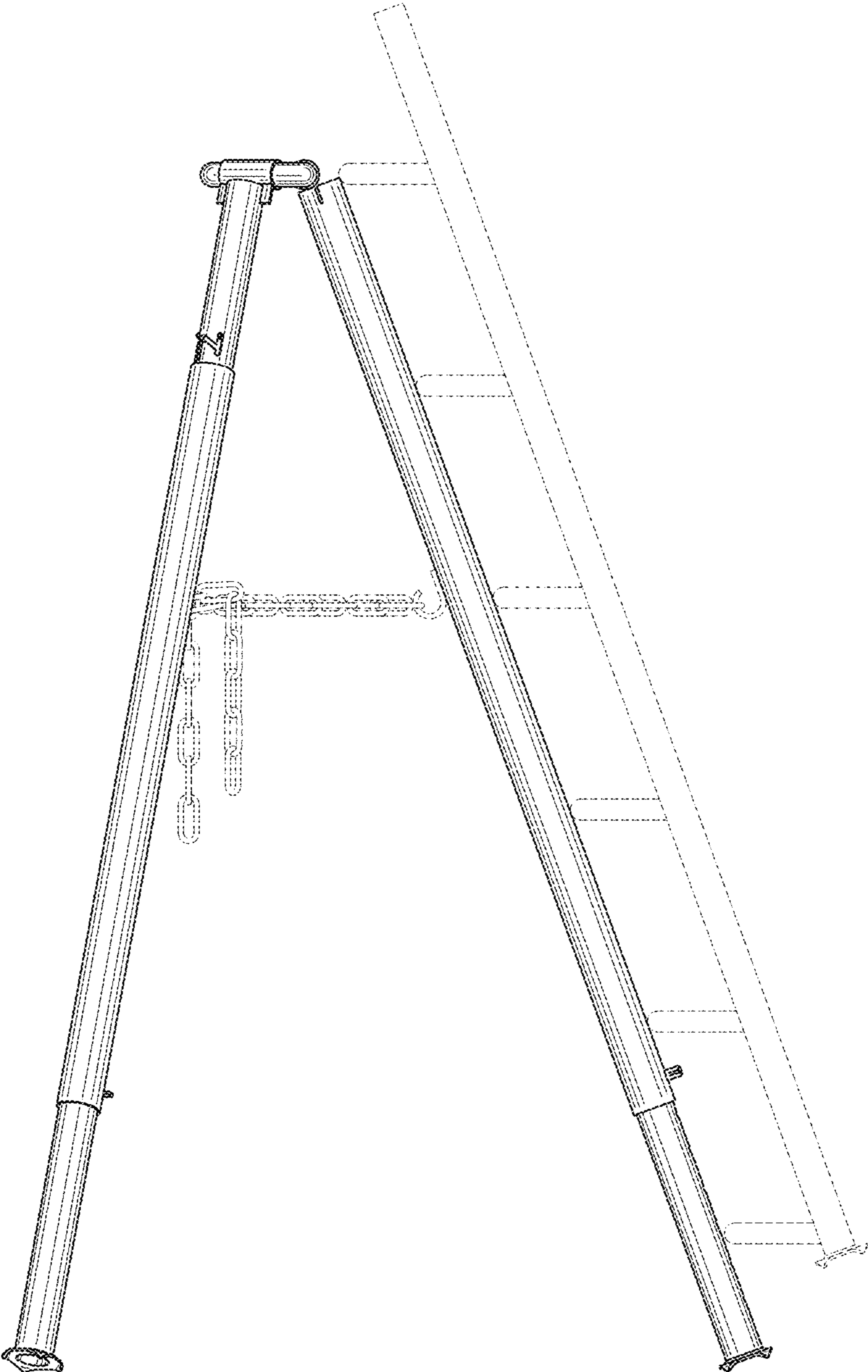




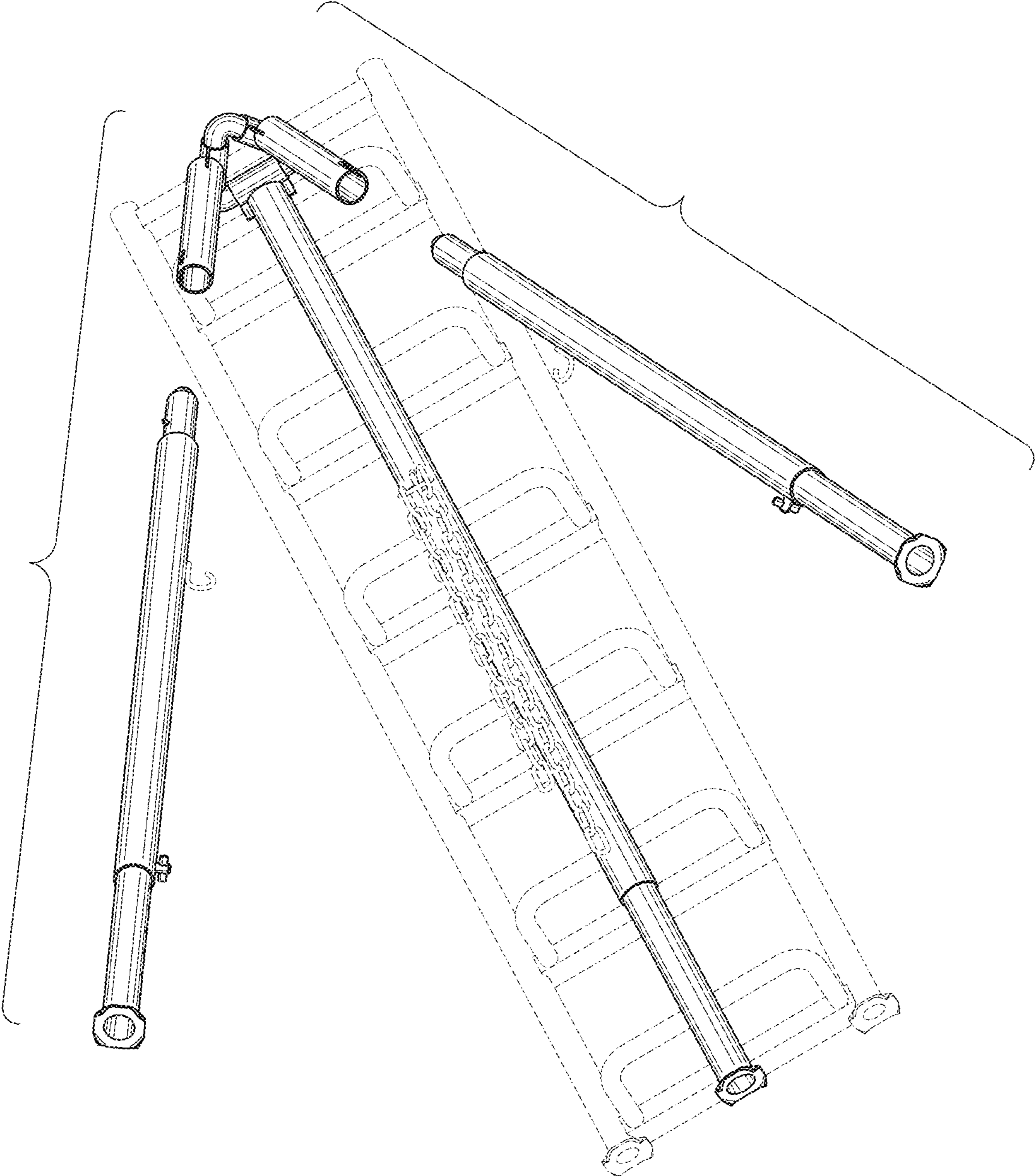
**FIG. 7**



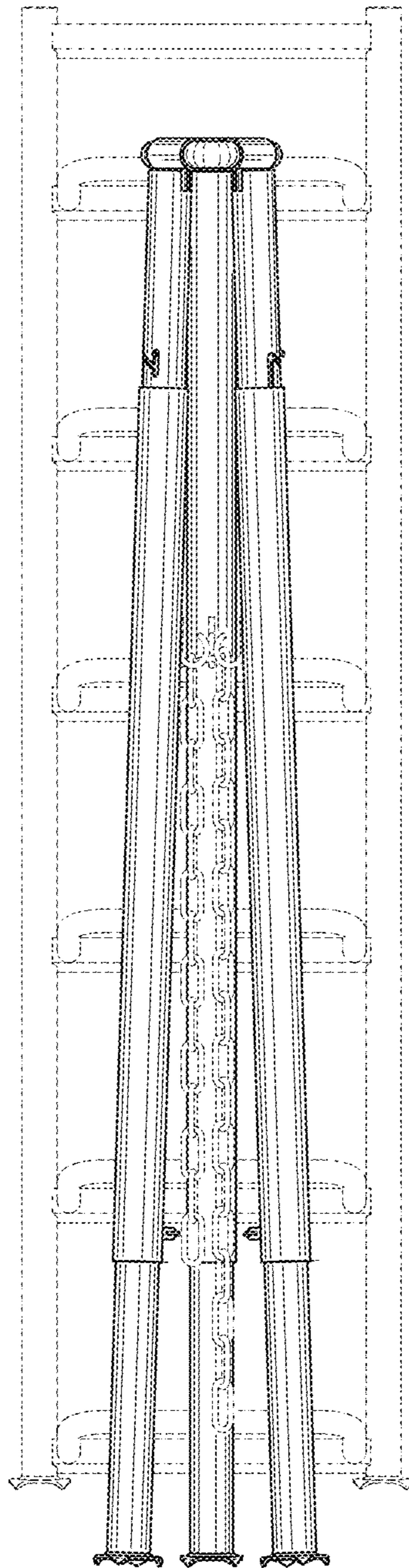
**FIG. 8**



**FIG. 9**



**FIG. 10**





**FIG. 11**

