



US00D761438S

(12) **United States Design Patent**
Higgins et al.

(10) **Patent No.:** **US D761,438 S**
(45) **Date of Patent:** **** Jul. 12, 2016**

(54) **SURGICAL SIMULATOR DEVICE**
(71) Applicant: **Cardiovascular Systems, Inc.**, St. Paul, MN (US)
(72) Inventors: **Joseph Higgins**, Minnetonka, MN (US); **Nicholas Rydberg**, Oakdale, MN (US)
(73) Assignee: **Cardiovascular Systems, Inc.**, St. Paul, MN (US)

8,439,687 B1 5/2013 Morriss et al.
8,469,717 B2 6/2013 Park et al.
8,608,484 B2* 12/2013 Kalafut G09B 23/32
434/262
2006/0127864 A1 6/2006 Ohlsson
2008/0187896 A1 8/2008 Savitsky
2011/0117531 A1 5/2011 Iwasaki et al.
2012/0028231 A1 2/2012 Misawa et al.
2013/0022952 A1 1/2013 Ikeno et al.
2015/0024362 A1* 1/2015 Feins G09B 23/303
434/268
2015/0213733 A1* 7/2015 Higgins G09B 23/30
434/272

(**) Term: **14 Years**

(21) Appl. No.: **29/479,601**

(22) Filed: **Jan. 17, 2014**

(51) **LOC (10) Cl.** **24-01**

(52) **U.S. Cl.**
USPC **D24/232**

(58) **Field of Classification Search**
USPC D24/232, 107-108, 169, 186, 216, 231;
434/262, 267-268, 272; D19/59, 62
CPC G09B 23/28; G09B 23/285; G09B 23/30;
G09B 23/303
See application file for complete search history.

FOREIGN PATENT DOCUMENTS

JP 2001343891 12/2001

* cited by examiner

Primary Examiner — Wan Laymon

(74) *Attorney, Agent, or Firm* — Barnes & Thornburg LLP

(57) **CLAIM**

The ornamental design for a surgical simulator device, as shown and described.

DESCRIPTION

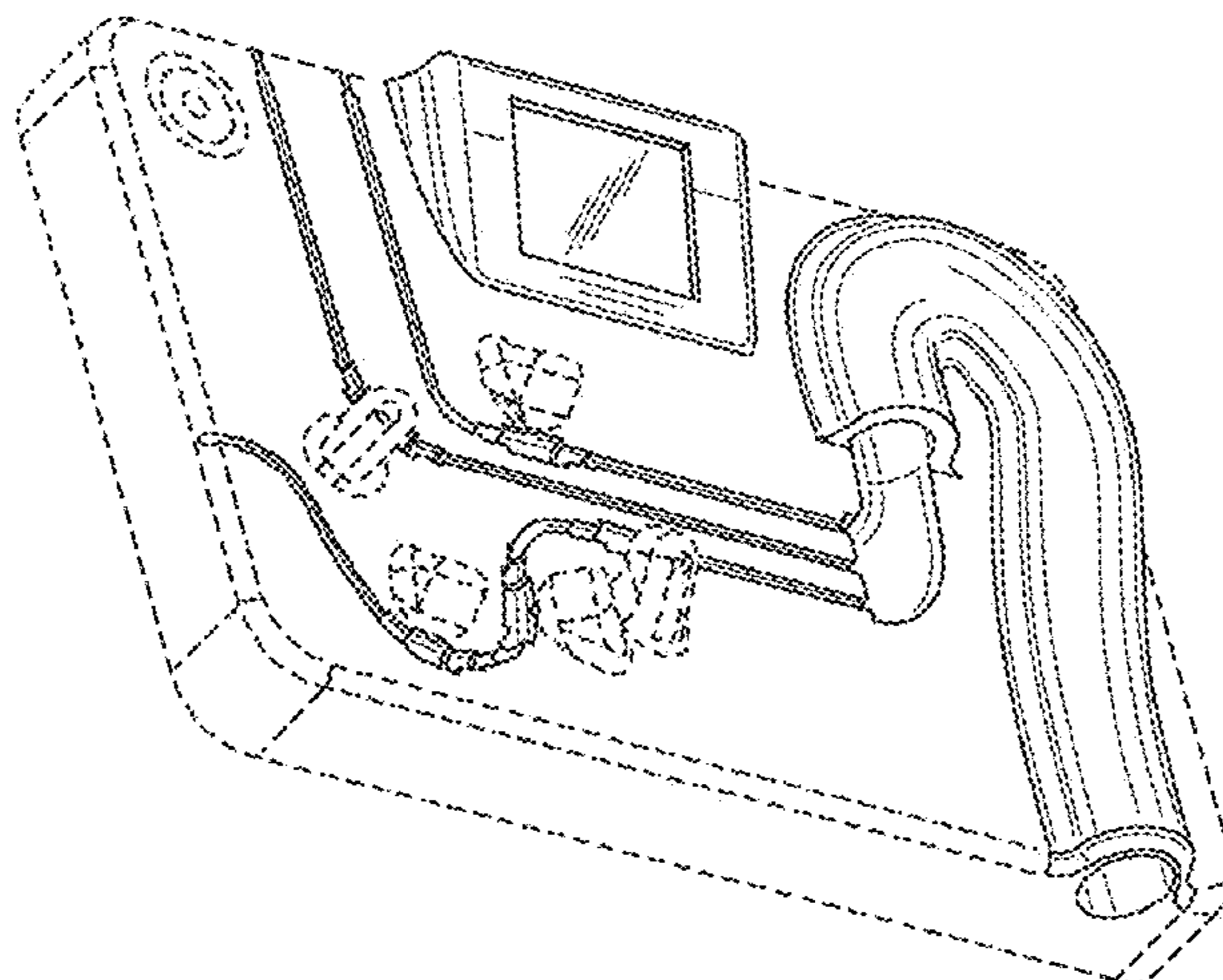
FIG. 1 is a perspective view of a simulator device, according to our design;
FIG. 2 is a left side view of the surgical simulator device of FIG. 1;
FIG. 3 is a right side view of the surgical simulator device of FIG. 1;
FIG. 4 is a back view of the surgical simulator device of FIG. 1;
FIG. 5 is a front view of the surgical simulator device of FIG. 1;
FIG. 6 is a top view of the simulator device of FIG. 1; and,
FIG. 7 is a bottom view of the simulator device.
The broken lines shown in the figures are included for the purpose of illustrating portions of the surgical simulator device and form no part of the claimed design.

1 Claim, 7 Drawing Sheets

(56) **References Cited**

U.S. PATENT DOCUMENTS

3,579,858 A * 5/1971 Bentov G09B 23/32
434/272
4,198,766 A 4/1980 Camin
4,642,055 A 2/1987 Saliterman
4,726,772 A 2/1988 Amplatz
5,055,051 A 10/1991 Duncan
5,112,228 A 5/1992 Zouras
6,062,866 A 5/2000 Prom
6,336,812 B1 1/2002 Cooper et al.
6,517,354 B1* 2/2003 Levy G09B 23/28
434/262
6,538,634 B1 3/2003 Chui et al.
6,929,481 B1 8/2005 Alexander et al.
6,997,719 B2 2/2006 Wellman et al.
7,591,198 B2 9/2009 Weldon et al.
8,083,524 B2 12/2011 Grund-Pedersen



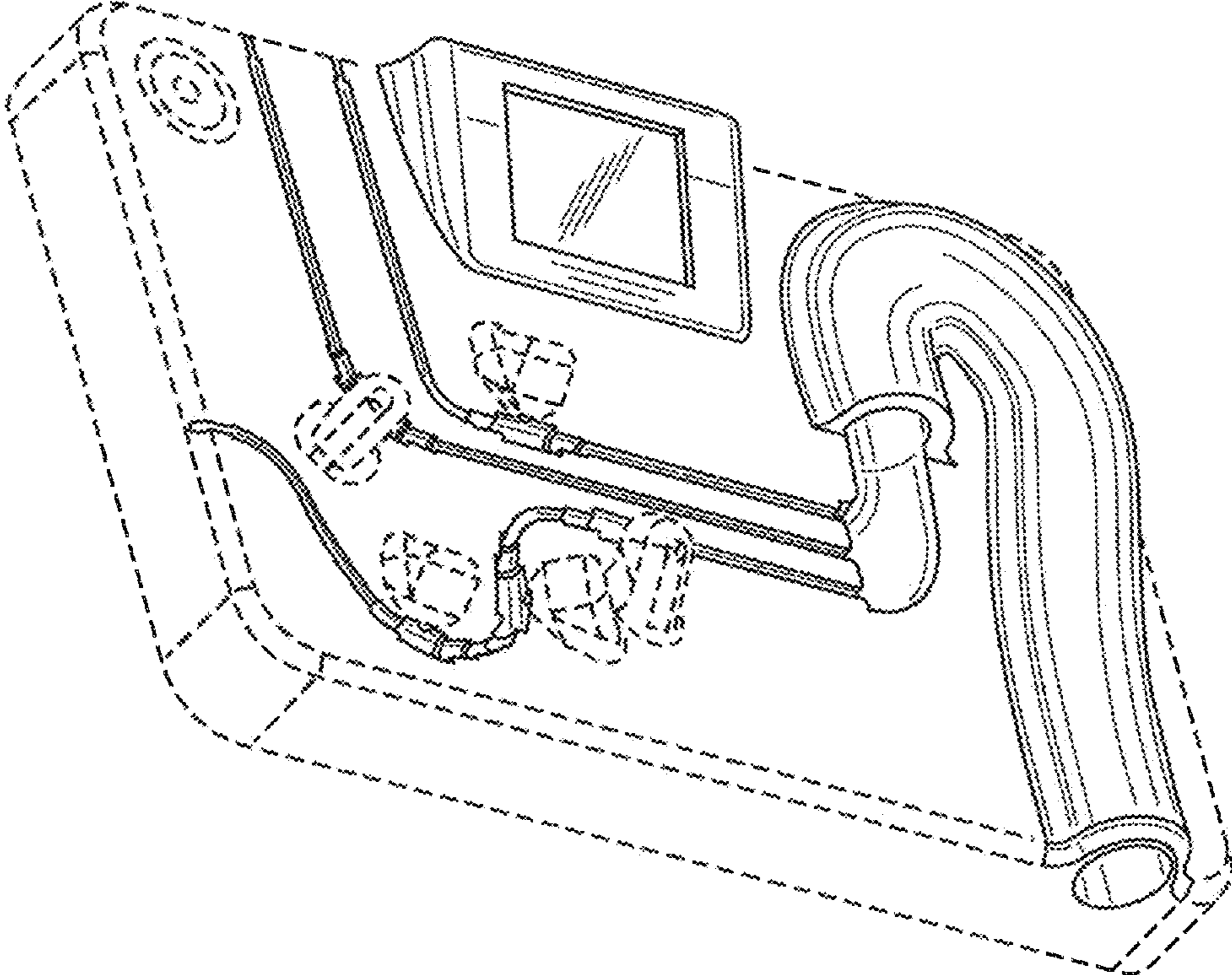


FIG. 1

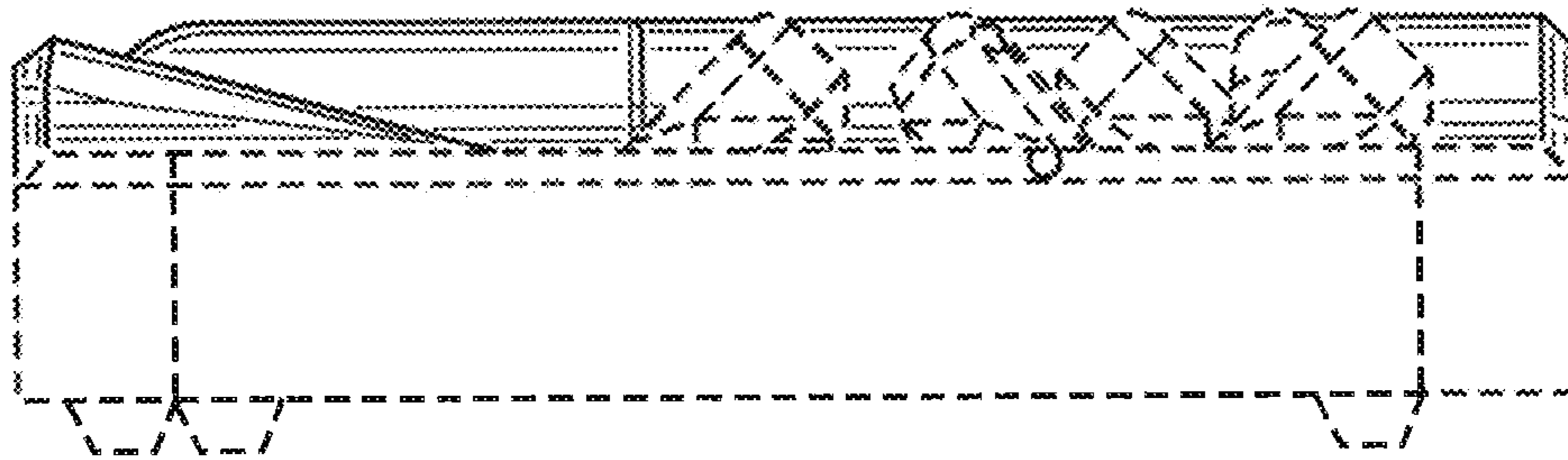


FIG. 2

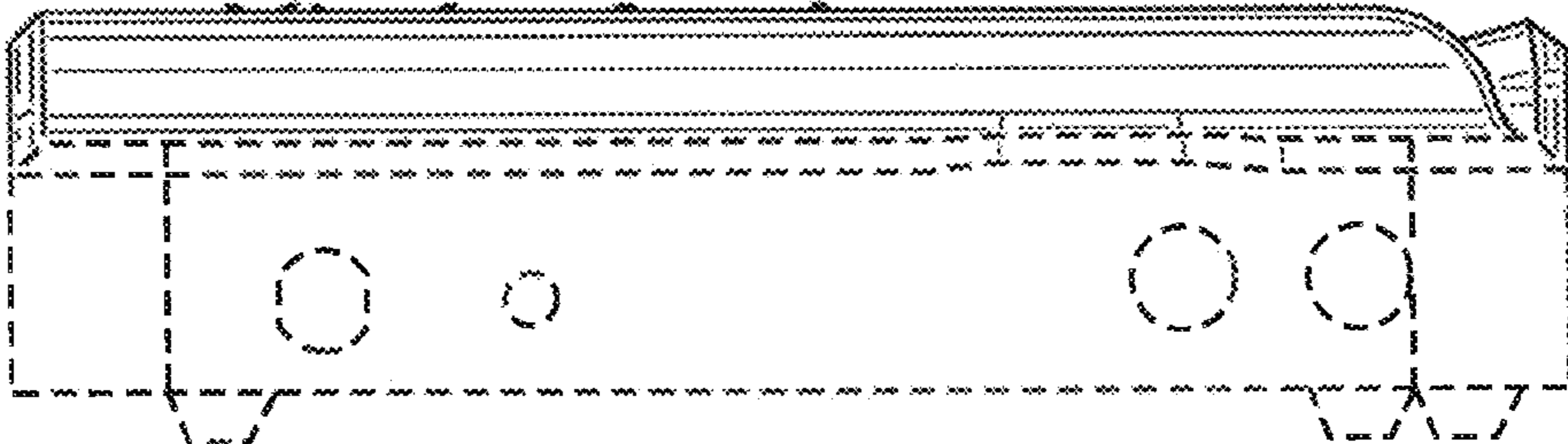


FIG. 3

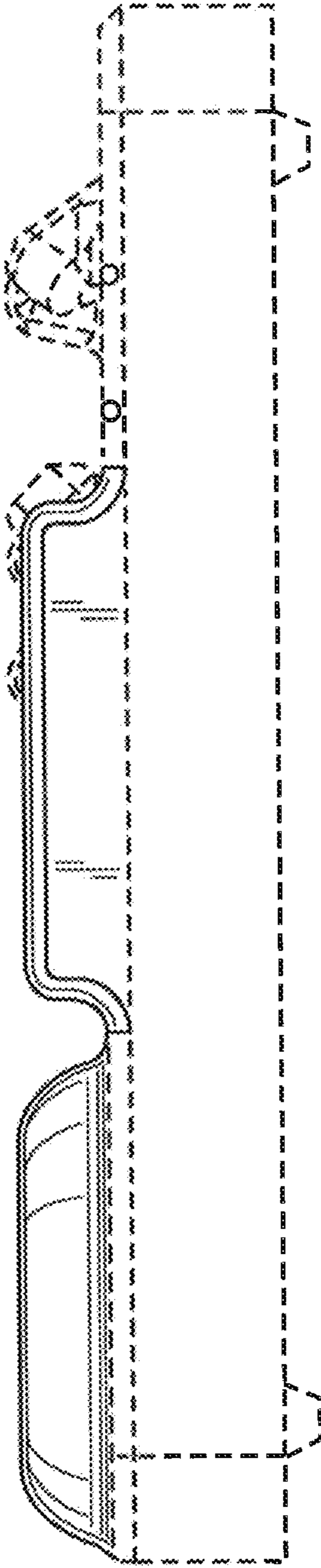


FIG. 4

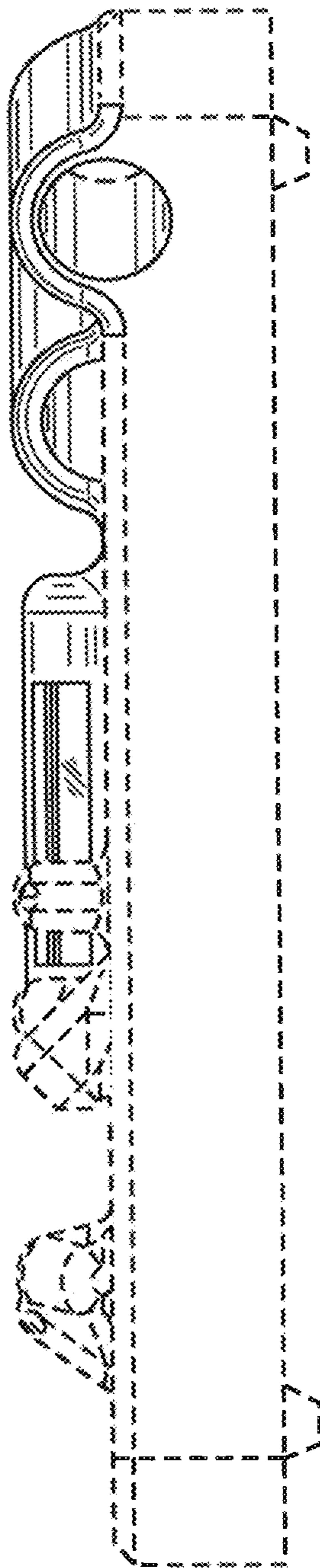


FIG. 5

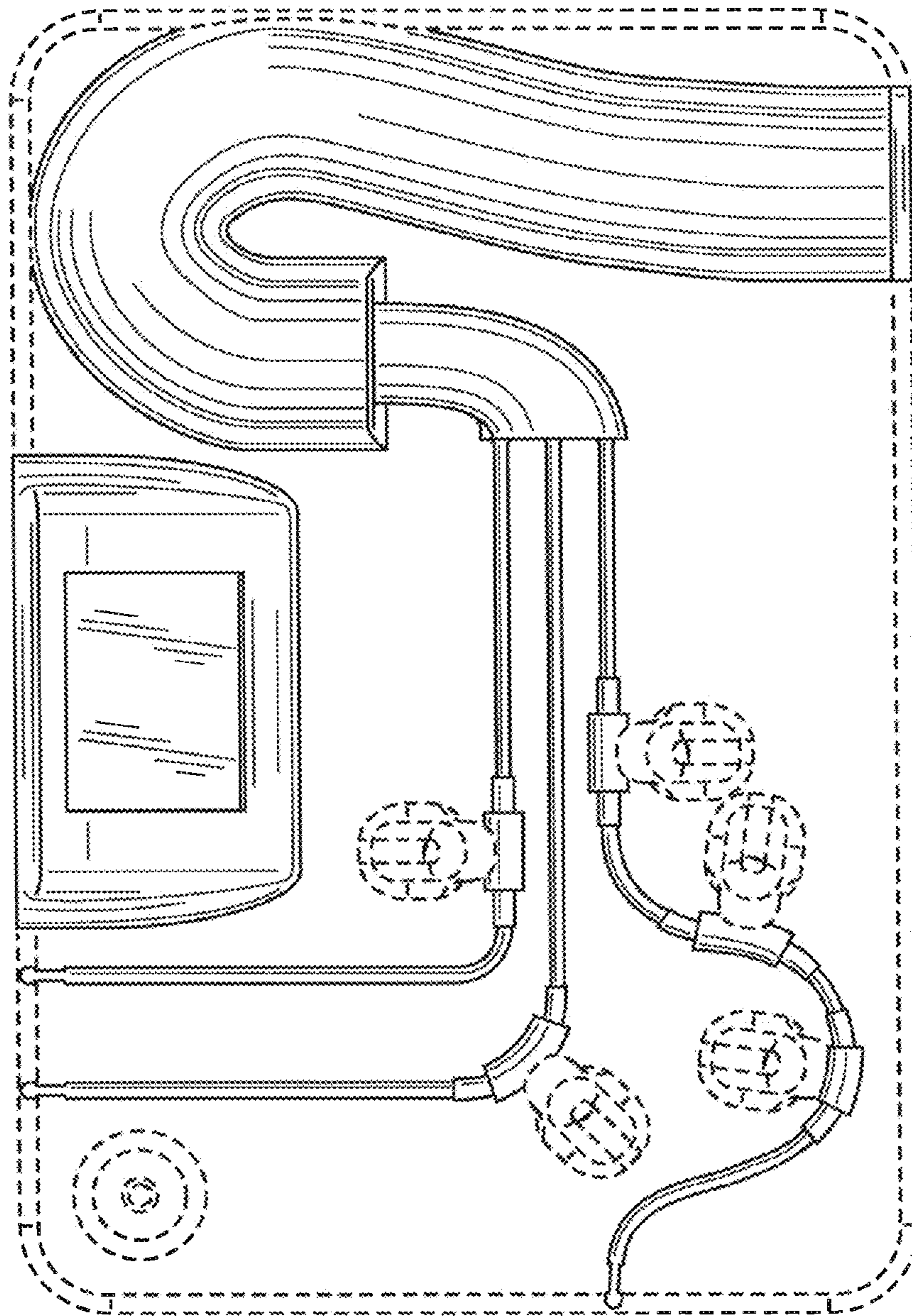


FIG. 6

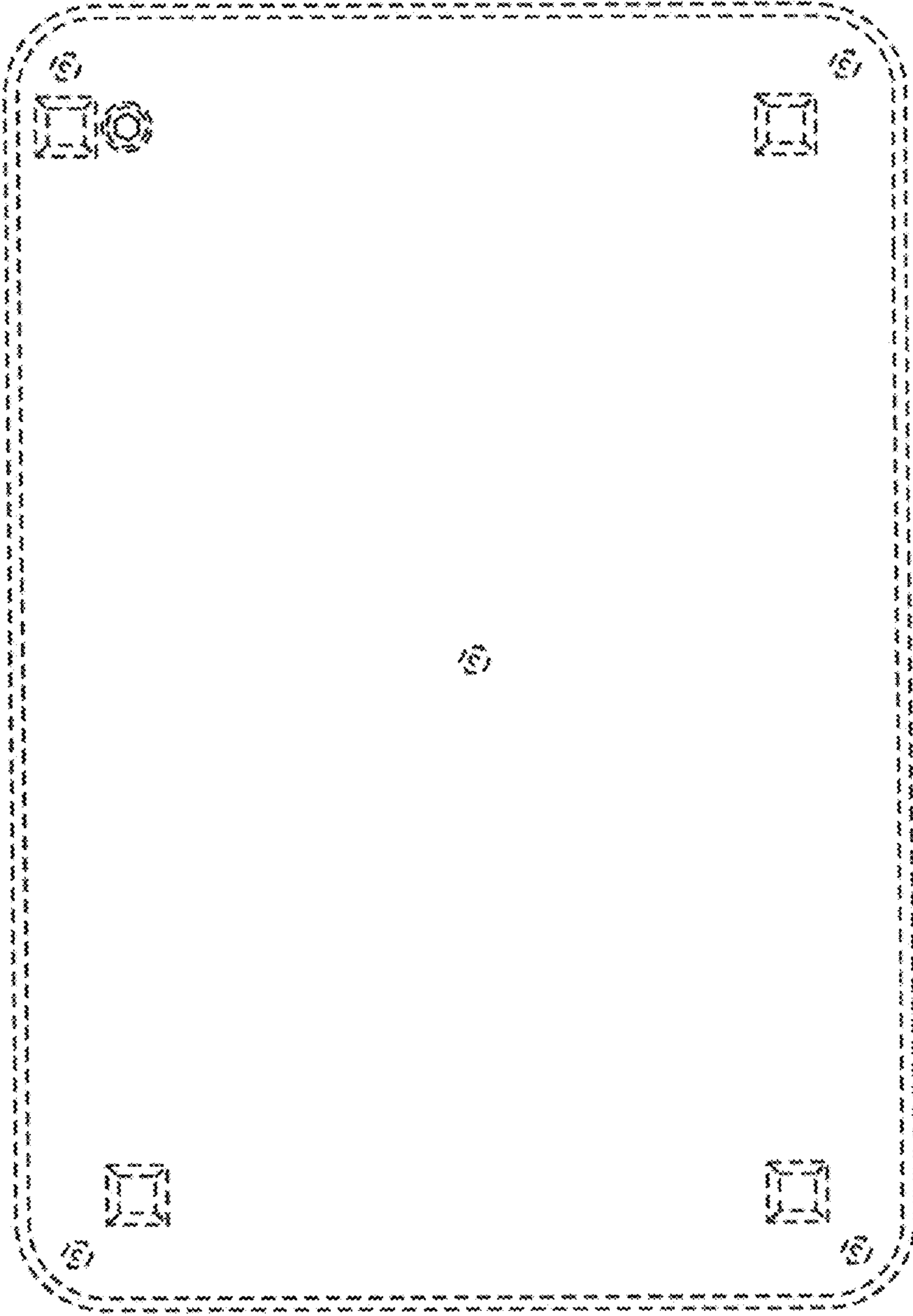


FIG. 7